

Shenandoah

CABINETS[®]

Together
We Create[™]



Shenandoah **Pro**[™]
Specification Guide August 2023



Contents

Warranty	2
Door Style Collections	3
Door Style & Finish Availability	4
Breckenridge®	6
Cardiff®	8
Cottage	9
Edgeworth®	10
Glasson	11
Irvington®	12
McKinley®	13
Mission	14
Stemson	15
Sydney®	16
Warren®	17
Standard Cabinet Specifications	19
Certification	20
Cabinet Specifications	21
Finishing Systems	22
Wood Species & Materials	23
Wall Cabinet Construction	24
Base Cabinet Construction	25
Hardware	26
Cabinet Dimensions	27
Installation Guidelines	32
Overlay Dimensions	34
Construction Options	35
Legend and Legend Examples	36
Premium Finish Option	37
All Plywood Construction, Plywood Ends and Cabinet Front Only	38
Construction Comparison and Inverted Frame	39
Accessible Height Option	39
Void Top Drawer Option, Void Door Option	40
Reduced Depth Option	41
Increased Depth Option and Recessed Toe Kick Option	42
Remove CushionClose®	43
Furniture Ends Option, Matching Interior	44
Specialty Door Options & Availability	45
Open Frame Door Option	47
Mullion Frame Door Option	48
Decorative Glass Inserts	50
Wall Cabinets	53
Standard and Refrigerator	54
With Spice Rack	56
Wall Top Hinge	56
Microwave	57
Blind	58
Corner	60
Wall End Angle	62
Specialty	62
Range Hoods	65
Range Hood Blowers	68
Accessories	70
Base Cabinets	73
One Door Base Cabinets	74
One Door Base with Accessories	74
One Door Base with Drawer Accessories	76
Two Door Base Cabinets	77
Two Door Base with Accessories	77
Two Door Base with Drawer Accessories	78
Three Door Base Cabinets	79
One Door Full-Height Base Cabinets	80
One Door Full-Height Base with Accessories	81
Two Door Full-Height Base Cabinets	83
Furniture Drawer Cabinet	83
Base Cabinets (cont.)	
Pedestal Drawer Cabinet	84
Drawer Base	84
Drawer Base with Drawer Accessories	86
Peninsula	87
Full-Height Peninsula	87
Blind Peninsula Corner	88
Corner	89
Blind Corner	92
Full-Height Blind Corner	92
Sink/Cooktop Base	95
Sink Base with Factory Installed Accessories	96
Base Plumbing Skirt	97
Adaptable Sink Base Kit	98
Sink/Cooktop Front	98
Specialty	99
Accessories	101
Desk and Office Cabinets	109
Desk Base	110
Bookshelves	112
Accessories	113
Tall Cabinets	115
Utility	116
Utility with Adjustable Shelves	117
Utility with Roll Out Trays	118
Single Oven	119
Double Oven	122
Accessories	124
Vanity Cabinets	129
One Door Vanity Cabinets	130
Two Door Vanity Cabinets	131
Full-Height Vanity Cabinets	131
Vanity Drawer Base	131
Vanity Sink Base	132
Vanity Combo Sink Base	135
Vanity Plumbing Skirt	137
Vanity Adaptable Sink Base Kit	137
Vanity Sink Front	137
Specialty	138
Accessories	139
Vanity Linen	140
Vanity Linen with Adjustable Shelves	140
Vanity Linen with Deep Roll Out Trays	140
Vanity Linen Accessories	141
Moldings & Decorative Accents	143
Molding	144
Molding Stacks	149
Valances	152
Corbels	154
Decorative Blocks	157
Legs and Feet	158
Split Post and Block	160
Panels, Fillers & Installation Items	161
Panels	162
Decorator Matching Doors	165
Fillers	167
Toe Kick	172
Installation Items	172
Decorative Hardware	175
Parts Directory	P1
Index	i-x

Warranty, Claims & Information

Shenandoah Cabinetry® Consumer Lifetime Limited Warranty

The manufacturer of Shenandoah Cabinetry hereby warrants to the original purchaser, for residential applications only, that all Shenandoah Cabinetry, cabinets and accessories, are free from defects in materials and workmanship. This warranty runs for as long as you own your home and begins upon the date of delivery to you. This warranty is expressly limited to repair or replacement of the defective part at the discretion of the manufacturer of Shenandoah Cabinetry, and does not include labor for removal or replacement. This warranty does not extend to defects caused by improper handling, storage, installation, assembly or disassembly, intentional damage, product modifications, exposure to the elements including humidity which may result in warping or splitting, accidental misuse, abuse or negligence.

Natural woods may vary in texture, color and wood grain, and exhibit subtle changes as they age. For example, wood joints may eventually have visible cracking around the joint area and cabinet colors may darken or lighten over time. Sunlight, smoke, moisture, household cleaners and other environmental conditions may cause materials to vary from their original color and/or to warp, split or crack. These variations are considered to be the nature of the material in relation to its environmental exposure and are not covered under this warranty.

Additional Limitations and Disclaimers

THE MANUFACTURER OF SHENANDOAH CABINETRY MAKES NO OTHER WARRANTIES OTHER THAN THOSE SET FORTH HEREIN AND ALL OTHER WARRANTIES ARE HEREBY DISCLAIMED. THE IMPLIED WARRANTIES OF MERCHANTABILITY AND FITNESS FOR A PARTICULAR PURPOSE ARE LIMITED IN DURATION TO THE LENGTH OF THE LIMITED WARRANTY PERIOD. THE LIMITED WARRANTIES SET FORTH HEREIN ARE LIMITED TO THE FIRST AND ORIGINAL BUYER AND ARE NOT TRANSFERABLE THEREAFTER. IN NO EVENT SHALL THE MANUFACTURER OF SHENANDOAH CABINETRY BE LIABLE FOR INCIDENTAL OR CONSEQUENTIAL DAMAGES TO THE PURCHASER OR TO ANY THIRD PARTY, INCLUDING, WITHOUT LIMITATION, DAMAGES ARISING FROM PERSONAL INJURY, LOST PROFITS, LOSS OF BUSINESS OPPORTUNITY, LOSS OF PROPERTY, ECONOMIC LOSSES, OR STATUTORY OR EXEMPLARY DAMAGES, WHETHER FROM NEGLIGENCE, WARRANTY, STRICT LIABILITY OR OTHERWISE. Some states do not allow the exclusion or limitation of incidental or consequential damages, or limitations on how long an implied warranty lasts, so the above

limitations and exclusions may not apply to you. This warranty gives you specific legal rights, and you may also have other rights, which vary from state to state.

Claims

All warranty, missing, or damage claims for cabinets and accessories must be initiated with Shenandoah's Customer Care Team. Please be ready with your order number and a detailed description of any issue present in the cabinets and accessories. Customer Care will determine at their discretion, to either replace defective cabinets and accessories or repair any defects in the cabinets and accessories

Lost or Damaged No-Charge Replacement Parts

As with any manufactured and shipped product, transportation damage and defects may occur. Should the unexpected arise, we are here to help. Follow our lost or damaged replacement part process below to ensure your customer has everything they need for their project.

- Have your customer check-in and inspect all cabinetry upon delivery
- Report any shortages or missing items to our Customer Care team within 60 days of delivery
- Report any defects or shipping damages to our Customer Care team within 90 days of delivery

When contacting Customer Care for a no-charge replacement, please ensure you have the original order number and a detailed description of the issue. We will work to get any replacements out to you as quickly as possible.

Information

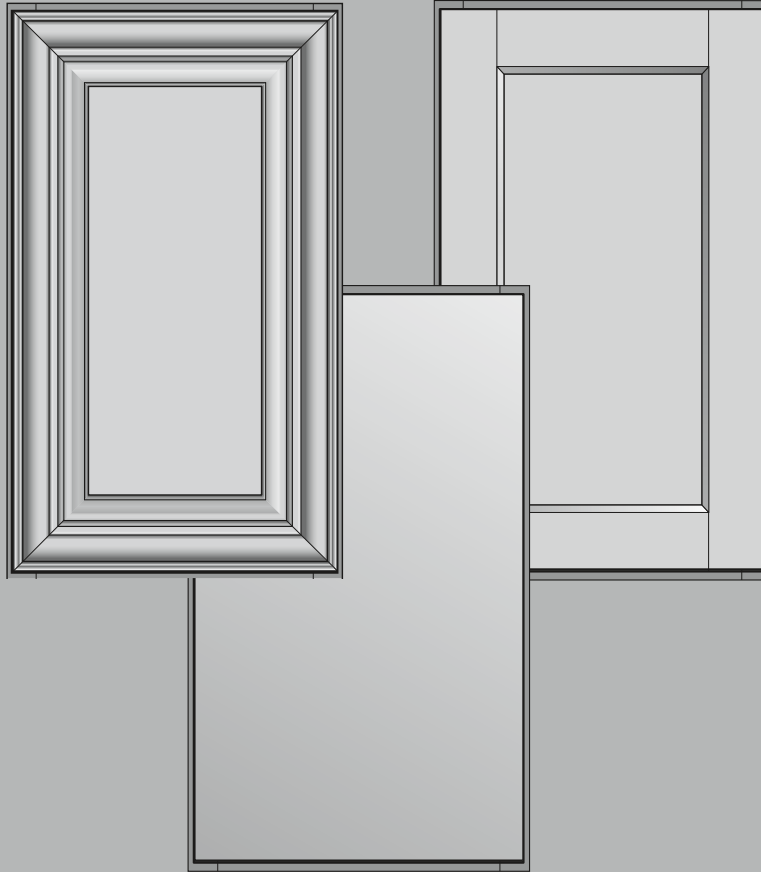
Please visit resources.shenandoahcabinetry.com for all your designer needs.

If you would like further clarification about any of our products or processes, please call your exclusive Shenandoah Customer Care Department at **877-569-3774**.

CONTINUOUS IMPROVEMENT

In keeping with our policy of continuous product refinement, Shenandoah Cabinetry reserves the right to change specifications in design and materials as conditions require.

Door Style Collections



	Breckenridge (POL)	Breckenridge (FOL)	Breckenridge w/ DFO	Cardiff	Cardiff w/ DFO	Cottage	Edgeworth	Edgeworth w/ DFO	Glasson	Glasson w/ DFO
CHERRY										
Amber		•	•				•	•		
Java		•	•				•	•		
Slate		•	•				•	•		
MAPLE										
Cognac	•	•	•			•	•	•	•	•
Latte	•	•	•			•	•	•	•	•
Rye	•	•	•			•	•	•	•	•
Slate	•	•	•			•	•	•	•	•
Spice	•	•	•			•	•	•	•	•
Truffle	•	•	•			•	•	•	•	•
PAINTED*										
Black	•	•	•			•	•	•	•	•
Boulder	•	•	•			•	•	•	•	•
Harbor	•	•	•			•	•	•	•	•
Linen	•	•	•			•	•	•	•	•
Mist	•	•	•			•	•	•	•	•
Navy	•	•	•			•	•	•	•	•
Sage	•	•	•			•	•	•	•	•
Stone	•	•	•			•	•	•	•	•
Vanilla	•	•	•			•	•	•	•	•
Biscotti Glaze							•	•	•	•
Ember Glaze							•	•	•	•
Pewter Glaze							•	•	•	•
DURAFORM										
Breeze										
Drift										
Espresso	•	•	•	•	•					
Harbor	•	•	•	•	•					
Linen	•	•	•	•	•		•			
Stone	•	•	•	•	•					

*Premium Finish

	Irvington	Irvington w/ DFO	McKinley	Mission	Mission w/ DFO	Stemson	Stemson w/ DFO	Sydney	Warren	Warren w/ DFO
CHERRY										
Amber	•	•	•	•	•			•		
Java	•	•	•	•	•			•		
Slate	•	•	•	•	•			•		
MAPLE										
Cognac	•	•	•	•	•	•	•	•	•	•
Latte	•	•	•	•	•	•	•	•	•	•
Rye	•	•	•	•	•	•	•	•	•	•
Slate	•	•	•	•	•	•	•	•	•	•
Spice	•	•	•	•	•	•	•	•	•	•
Truffle	•	•	•	•	•	•	•	•	•	•
PAINTED*										
Black	•	•	•	•	•	•	•	•	•	•
Boulder	•	•	•	•	•	•	•	•	•	•
Harbor	•	•	•	•	•	•	•	•	•	•
Linen	•	•	•	•	•	•	•	•	•	•
Mist	•	•	•	•	•	•	•	•	•	•
Navy	•	•	•	•	•	•	•	•	•	•
Sage	•	•	•	•	•	•	•	•	•	•
Stone	•	•	•	•	•	•	•	•	•	•
Vanilla	•	•	•	•	•	•	•	•	•	•
Biscotti Glaze	•	•	•			•	•		•	•
Ember Glaze	•	•	•			•	•		•	•
Pewter Glaze	•	•	•			•	•		•	•
DURAFORM										
Breeze					•			•		
Drift					•			•		
Espresso	•	•						•		
Harbor	•	•								
Linen	•	•								
Stone	•	•								

*Premium Finish

Breckenridge

NEW!

FINISHES

NEW!

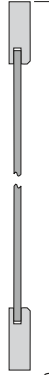
OVERLAY

DOOR STYLES

Breckenridge (FOL)



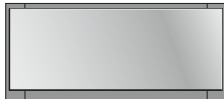
Door



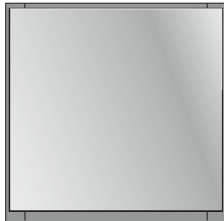
Cross Section



Kneehole Drawer Front



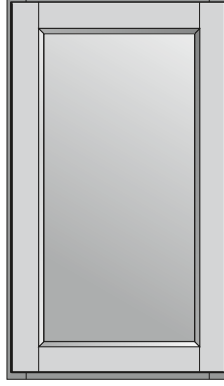
Standard Drawer Front



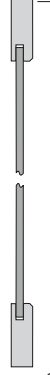
Large Drawer Front



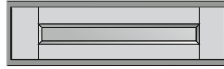
Breckenridge w/ DFO (FOL)



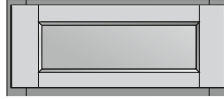
Door



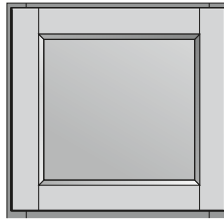
Cross Section



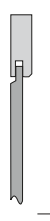
Kneehole Drawer Front



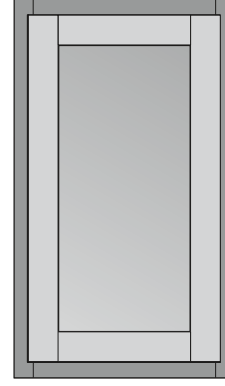
Standard Drawer Front



Large Drawer Front



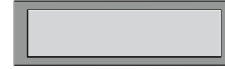
Breckenridge (POL)



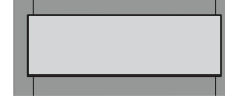
Door



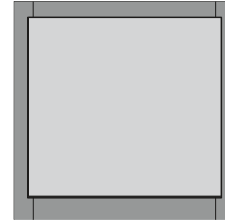
Cross Section



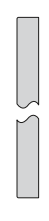
Kneehole Drawer Front



Standard Drawer Front

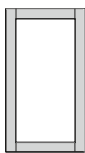


Large Drawer Front



Door Style Details

Door Description:	Recessed Panel
Door Rail & Stile Width:	2 1/4"
Tall Door Details:	Center Rail on 50" High Doors (FOL) No Center Rail on 50" High Doors (POL)
Hinge:	Deep Full Overlay (FOL) Partial Overlay (POL)
Decorative Hardware:	Required (FOL) Recommended (POL)
Specialty Doors:	OFD (See page 45 for details)



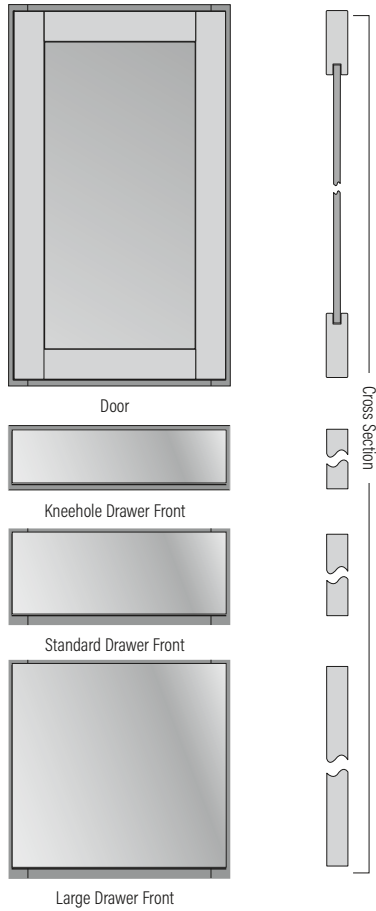
OFD

Available Finishes

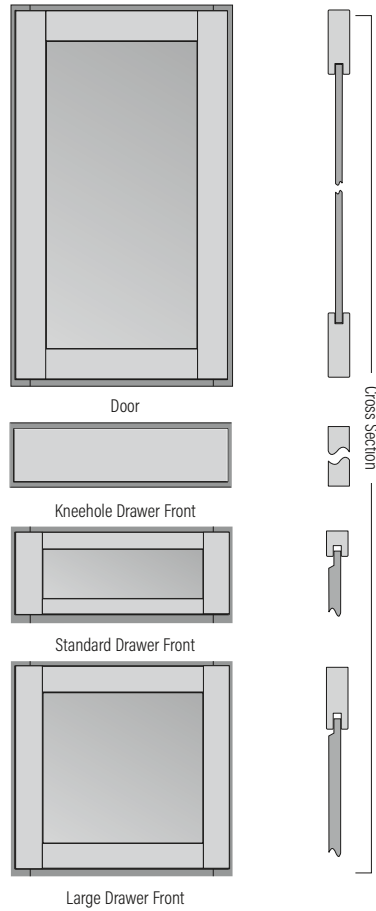
CHERRY	FINISH	BRECKENRIDGE (FOL)	BRECKENRIDGE W/ DFO (FOL)	BRECKENRIDGE (POL)
	Amber	28CFS	29CFS	-
	Java	28CKS	29CKS	-
	Slate	28CES	29CES	-
MAPLE	FINISH	BRECKENRIDGE (FOL)	BRECKENRIDGE W/ DFO (FOL)	BRECKENRIDGE (POL)
	Cognac	28MRS	29MRS	19MRS
	Latte	28GAS	29GAS	19GAS
	Rye	28MTS	29MTS	19MTS
	Slate	28GES	29GES	19GES
	Spice	28MSS	29MSS	19MSS
	Truffle	28MBS	29MBS	19MBS
PAINTED*	FINISH	BRECKENRIDGE (FOL)	BRECKENRIDGE W/ DFO (FOL)	BRECKENRIDGE (POL)
	Black	28FDS	29FDS	19FDS
	Boulder	28MIS	29MIS	19MIS
	Harbor	28MKS	29MKS	19MKS
	Linen	28MPS	29MPS	19MPS
	Mist	28FHS	29FHS	19FHS
	Navy	28FBS	29FBS	19FBS
	Sage	28FCS	29FCS	19FCS
	Stone	28MYS	29MYS	19MYS
	Vanilla	28FVS	29FVS	19FVS

*Premium finish

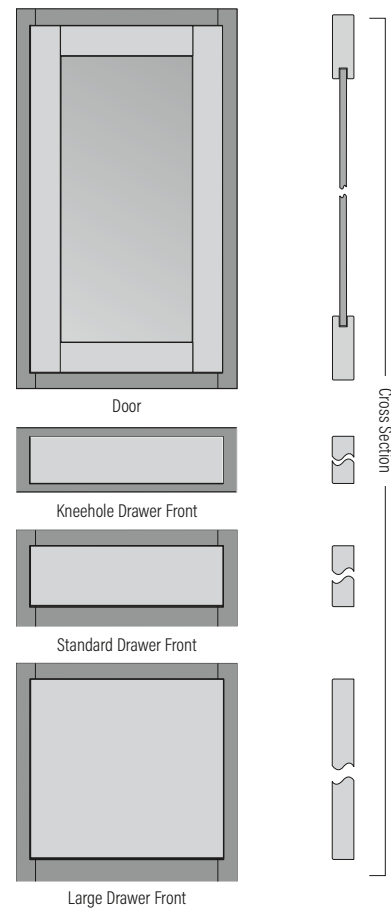
Breckenridge Duraform (FOL)



Breckenridge Duraform w/ DFO (FOL)



Breckenridge Duraform (POL)

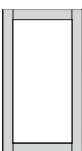


Door Style Details

Door Description:	Recessed Panel
Door Rail & Stile Width:	2 1/4"
Tall Door Details:	No Center Rail on 50" High Doors
Hinge:	Deep Full Overlay (FOL) Partial Overlay (POL)
Decorative Hardware:	Required (FOL) Recommended (POL)
Duraform Material:	Polypropylene
Specialty Doors:	OFD (See page 45 for details)

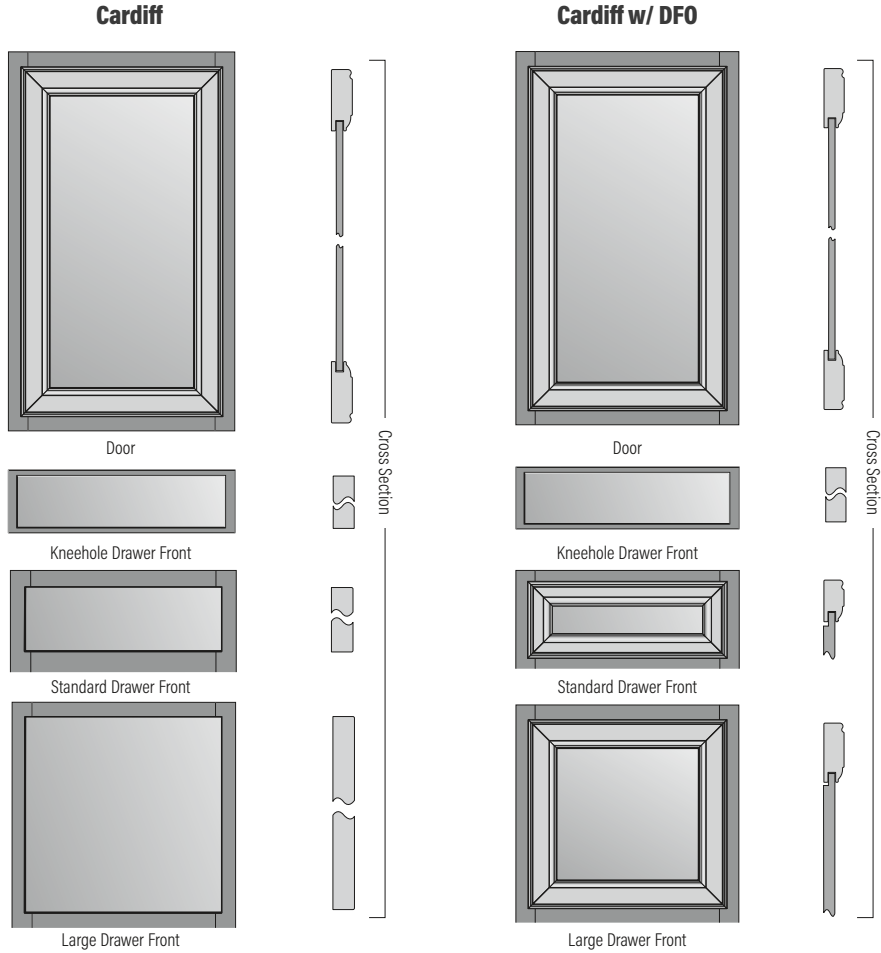
Available Finishes

DURAFORM	FINISH	BRECKENRIDGE DURAFORM (FOL)	BRECKENRIDGE DURAFORM W/ DFO (FOL)	BRECKENRIDGE DURAFORM (POL)
	Espresso	28EJS	29EJS	19EJS
	Harbor	28EKS	29EKS	19EKS
	Linen	28EPS	29EPS	19EPS
	Stone	28EYS	29EYS	19EYS



OFD

Cardiff

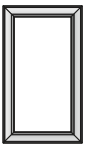


Door Style Details

Door Description:	Mitered with Recessed Panel
Door Rail & Stile Width:	2 1/4"
Tall Door Details:	No Center Rail on 50" High Doors
Hinge:	Partial Overlay
Decorative Hardware:	Recommended
Specialty Doors:	OFD (See page 45 for details)

Available Finishes

DURAFORM	FINISH	CARDIFF	CARDIFF W/ DFO
	Espresso	08EJS	18EJS
	Harbor	08EKS	18EKS
	Linen	08EPS	18EPS
	Stone	08EYS	18EYS

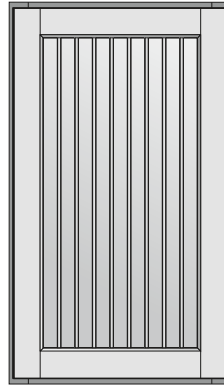


OFD

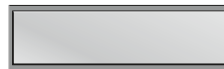
Cottage

NEW! FINISH

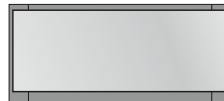
Cottage



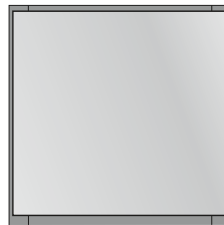
Door



Kneehole Drawer Front



Standard Drawer Front



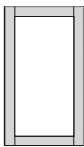
Large Drawer Front



Cross Section

Door Style Details

Door Description:	Recessed Beadboard Panel
Door Rail & Stile Width:	2 1/4"
Tall Door Details:	Center Rail on 50" High Doors
Hinge:	Deep Full Overlay
Decorative Hardware:	Required
Specialty Doors:	OFD (See page 45 for details)



OFD

Available Finishes

MAPLE	FINISH	COTTAGE
	Cognac	48MRS
	Latte	48GAS
	Rye	48MTS
	Slate	48GES
	Spice	48MSS
	Truffle	48MBS
PAINTED*	FINISH	COTTAGE
	Black	48FDS
	Boulder	48MIS
	Harbor	48MKS
	Linen	48MPS
	Mist	48FHS
	Navy	48FBS
	Sage	48FCS
	Stone	48MYS
	Vanilla	48FVS

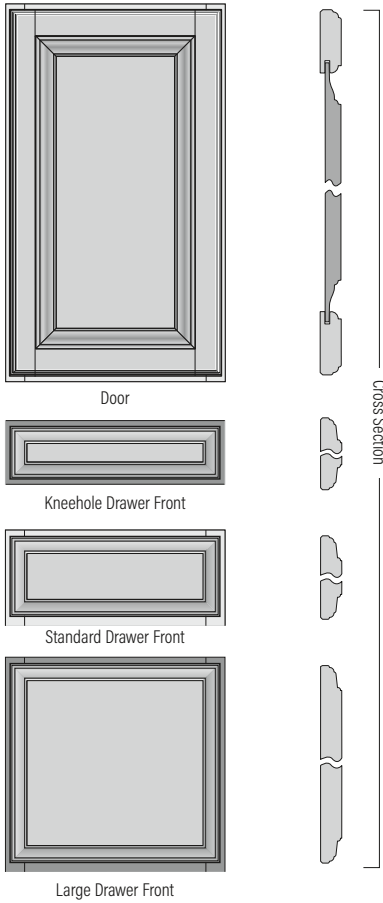
*Premium finish

Edgeworth

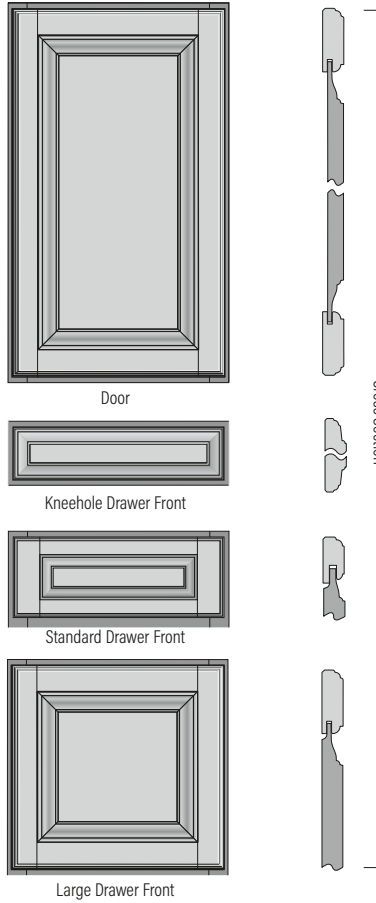
NEW! FINISHES

DOOR STYLES

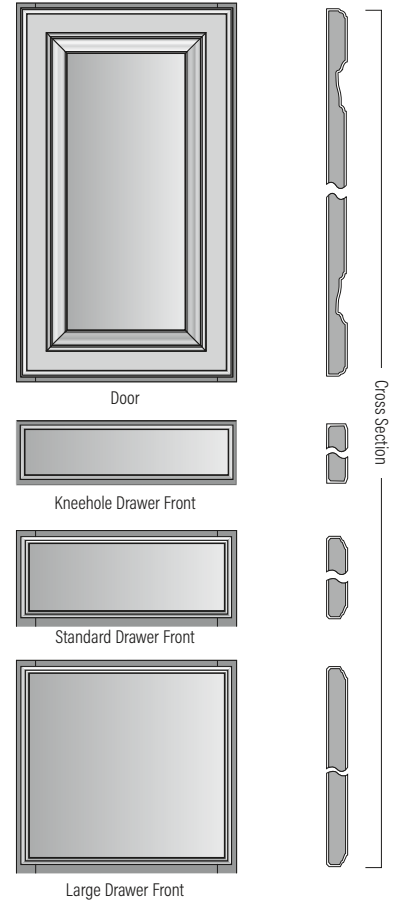
Edgeworth



Edgeworth w/ DFO



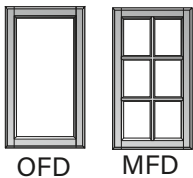
Edgeworth Duraform



Door Style Details

Door Description:	Raised Panel
Door Rail & Style Width:	2 1/4"
Tall Door Details:	Center Rail on 50" High Doors ■
Hinge:	Full Overlay
Decorative Hardware:	Required
Duraform Material:	Thermofoil
Specialty Doors:	OFD, MFD (See page 45 for details)

■ Duraform door styles do not have center rails on 50" high doors



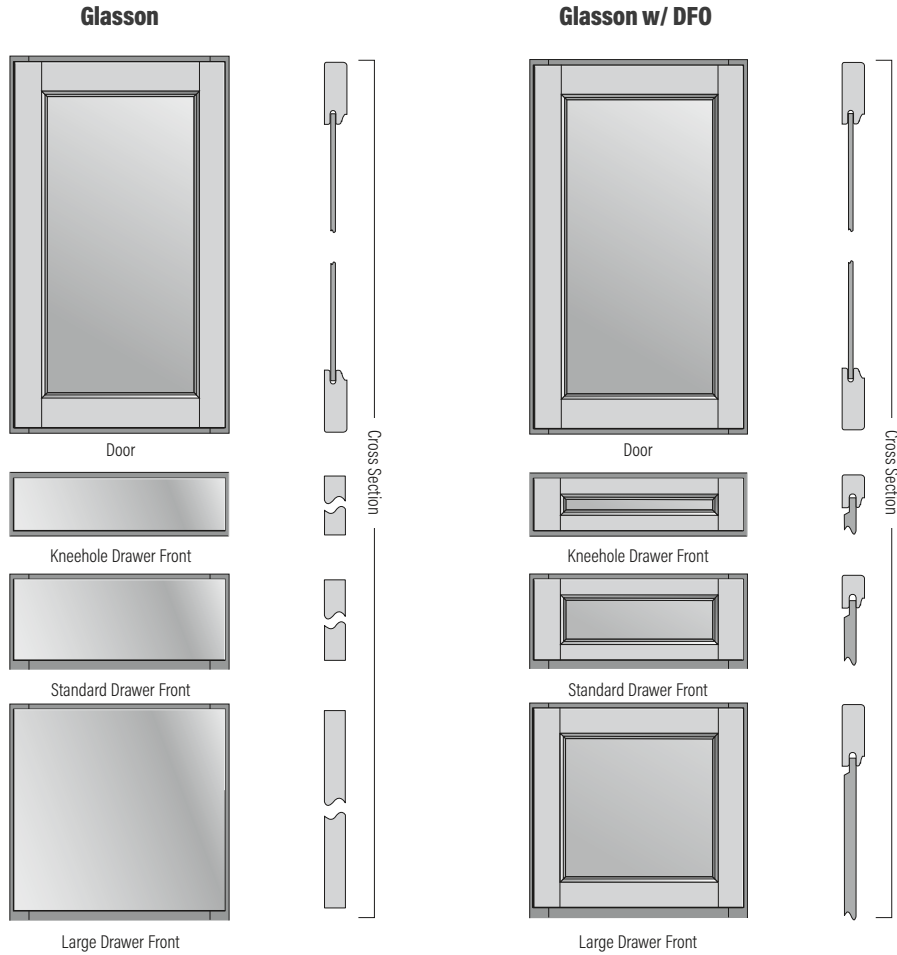
Available Finishes

CHERRY	FINISH	EDGEWORTH	EDGEWORTH W/ DFO	EDGEWORTH DURAFORM
	Amber	44CFS	47CFS	-
	Java	44CKS	47CKS	-
	Slate	44CES	47CES	-
MAPLE	FINISH	EDGEWORTH	EDGEWORTH W/ DFO	EDGEWORTH DURAFORM
	Cognac	44MRS	47MRS	-
	Latte	44GAS	47GAS	-
	Rye	44MTS	47MTS	-
	Slate	44GES	47GES	-
	Spice	44MSS	47MSS	-
	Truffle	44MBS	47MBS	-
PAINTED*	FINISH	EDGEWORTH	EDGEWORTH W/ DFO	EDGEWORTH DURAFORM
	Biscotti Glaze	44FVF	47FVF	-
	Black	44FDS	47FDS	-
	Boulder	44MIS	47MIS	-
	Ember Glaze	44MKO	47MKO	-
	Harbor	44MKS	47MKS	-
	Linen	44MPS	47MPS	-
	Mist	44FHS	47FHS	-
	Navy	44FBS	47FBS	-
	Pewter Glaze	44MPQ	47MPQ	-
	Sage	44FCS	47FCS	-
	Stone	44MYS	47MYS	-
	Vanilla	44FVS	47FVS	-
DURAFORM	FINISH	EDGEWORTH	EDGEWORTH W/ DFO	EDGEWORTH DURAFORM
	Linen	-	-	I5W

*Premium finish

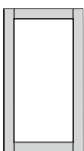
Glasson

NEW! FINISH



Door Style Details

Door Description:	Recessed Panel
Door Rail & Style Width:	2 1/4"
Tall Door Details:	Center Rail on 50" High Doors
Hinge:	Deep Full Overlay
Decorative Hardware:	Required
Specialty Doors:	OFD (See page 45 for details)



OFD

Available Finishes

MAPLE	FINISH	GLASSON	GLASSON W/ DFO
	Cognac	74MRS	75MRS
	Latte	74GAS	75GAS
	Rye	74MTS	75MTS
	Slate	74GES	75GES
	Spice	74MSS	75MSS
	Truffle	74MBS	75MBS
PAINTED*	FINISH	GLASSON	GLASSON W/ DFO
	Biscotti Glaze	74FVF	75FVF
	Black	74FDS	75FDS
	Boulder	74MIS	75MIS
	Ember Glaze	74MKO	75MKO
	Harbor	74MKS	75MKS
	Linen	74MPS	75MPS
	Mist	74FHS	75FHS
	Navy	74FBS	75FBS
	Pewter Glaze	74MPQ	75MPQ
	Sage	74FCS	75FCS
	Stone	74MYS	75MYS
	Vanilla	74FVS	75FVS

*Premium finish

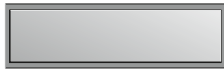
Irvington

NEW! FINISHES

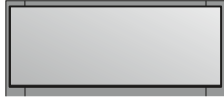
Irvington



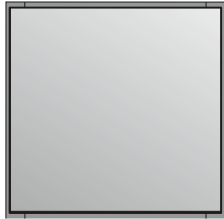
Door



Kneehole Drawer Front



Standard Drawer Front

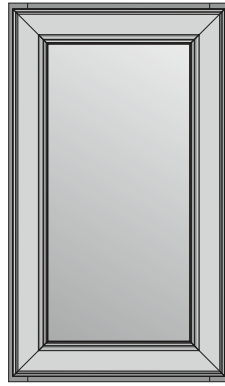


Large Drawer Front



Cross Section

Irvington w/ DFO



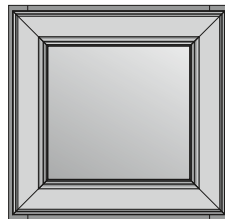
Door



Kneehole Drawer Front



Standard Drawer Front

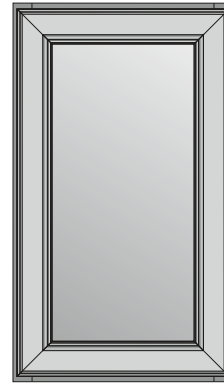


Large Drawer Front

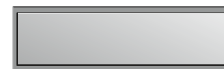


Cross Section

Irvington Duraform w/ DFO



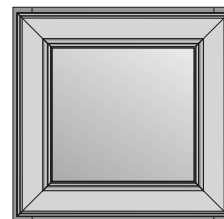
Door



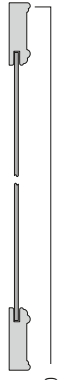
Kneehole Drawer Front



Standard Drawer Front



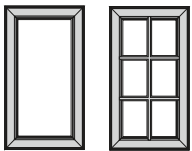
Large Drawer Front



Cross Section

Door Style Details

Door Description:	Mitered with Recessed Panel
Door Rail & Stile Width:	2 1/4"
Tall Door Details:	No Center Rail on 50" High Doors
Hinge:	Deep Full Overlay
Decorative Hardware:	Required
Duraform Material:	Polypropylene
Specialty Doors:	OFD, MFD (See page 45 for details)



OFD ▲ MFD

▲ Not available for Duraform

Available Finishes

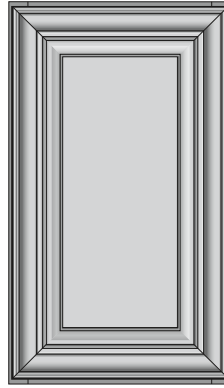
CHERRY	FINISH	IRVINGTON	IRVINGTON W/ DFO
	Amber	20CFS	30CFS
	Java	20CKS	30CKS
	Slate	20CES	30CES
MAPLE	FINISH	IRVINGTON	IRVINGTON W/ DFO
	Cognac	20MRS	30MRS
	Latte	20GAS	30GAS
	Rye	20MTS	30MTS
	Slate	20GES	30GES
	Spice	20MSS	30MSS
	Truffle	20MBS	30MBS
PAINTED*	FINISH	IRVINGTON	IRVINGTON W/ DFO
	Biscotti Glaze	20FVF	30FVF
	Black	20FDS	30FDS
	Boulder	20MIS	30MIS
	Ember Glaze	20MKO	30MKO
	Harbor	20MKS	30MKS
	Linen	20MPS	30MPS
	Mist	20FHS	30FHS
	Navy	20FBS	30FBS
	Pewter Glaze	20MPQ	30MPQ
	Sage	20FCS	30FCS
	Stone	20MYS	30MYS
	Vanilla	20FVS	30FVS
DURAFORM	FINISH	IRVINGTON	IRVINGTON W/ DFO
	Espresso	20EJS	30EJS
	Harbor	20EKS	30EKS
	Linen	20EPS	30EPS
	Stone	20EYS	30EYS

*Premium finish

McKinley

NEW! FINISHES

McKinley



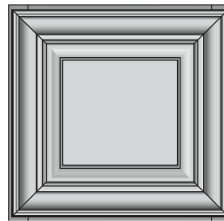
Door



Kneehole Drawer Front



Standard Drawer Front



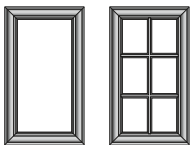
Large Drawer Front



Cross Section

Door Style Details

Door Description:	Mitered with Raised Panel
Door Rail & Stile Width:	3"
Tall Door Details:	Center Rail on 50" High Doors
Hinge:	Deep Full Overlay
Decorative Hardware:	Required
Specialty Doors:	OFD, MFD (See page 45 for details)



OFD

MFD

Available Finishes

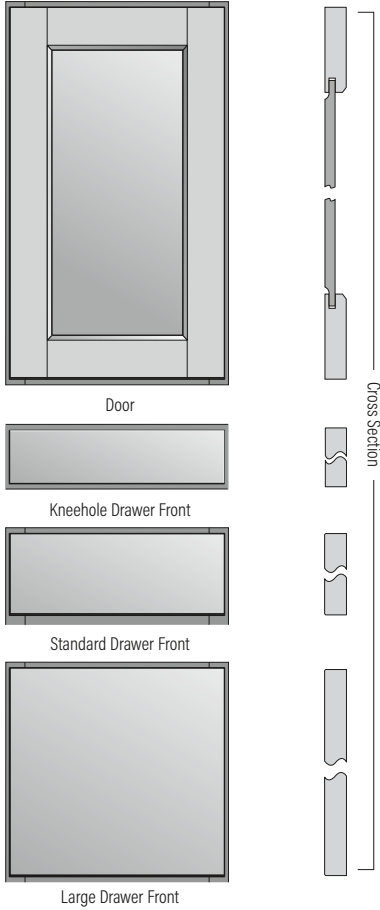
CHERRY	FINISH	MCKINLEY
	Amber	35CFS
	Java	35CKS
	Slate	35CES
MAPLE	FINISH	MCKINLEY
	Cognac	35MRS
	Latte	35GAS
	Rye	35MTS
	Slate	35GES
	Spice	35MSS
	Truffle	35MBS
PAINTED*	FINISH	MCKINLEY
	Biscotti Glaze	35FVF
	Black	35FDS
	Boulder	35MIS
	Ember Glaze	35MKO
	Harbor	35MKS
	Linen	35MPS
	Mist	35FHS
	Navy	35FBS
	Pewter Glaze	35MPQ
	Sage	35FCS
	Stone	35MYS
	Vanilla	35FVS

*Premium finish

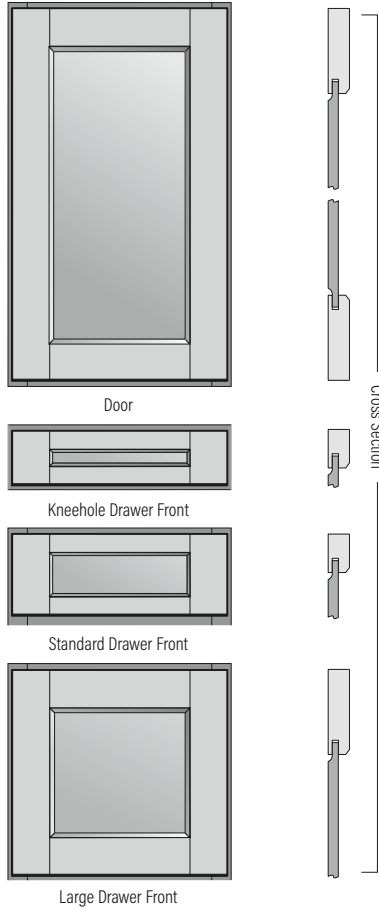
Mission

NEW! FINISHES

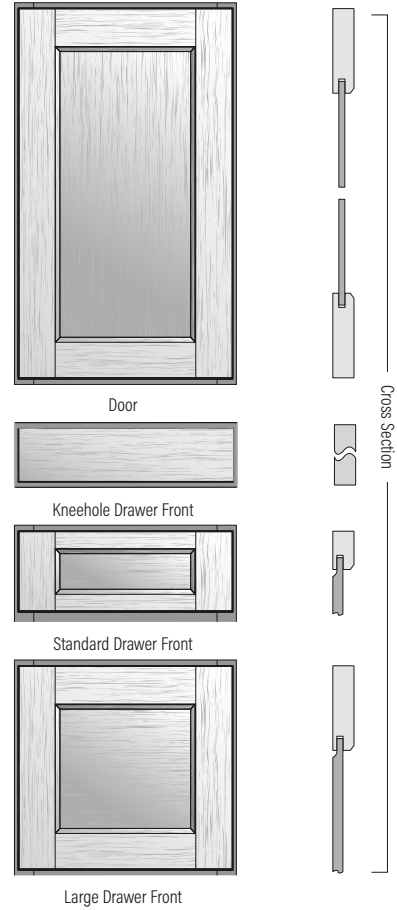
Mission



Mission w/ DFO



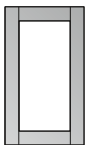
Mission Duraform w/ DFO (Textured)



Door Style Details

Door Description:	Recessed Panel
Door Rail & Stile Width:	3"
Tall Door Details:	Center Rail on 50" High Doors ■
Hinge:	Deep Full Overlay
Decorative Hardware:	Required
Duraform Material:	Textured PVC-wrapped
Specialty Doors:	OFD (See page 45 for details)

■ Duraform door styles do not have center rails on 50" high doors



OFD

Available Finishes

CHERRY	FINISH	MISSION	MISSION W/ DFO	MISSION DURAFORM W/ DFO (TEXTURED)
	Amber	40CFS	42CFS	-
	Java	40CKS	42CKS	-
	Slate	40CES	42CES	-
MAPLE	FINISH	MISSION	MISSION W/ DFO	MISSION DURAFORM W/ DFO (TEXTURED)
	Cognac	40MRS	42MRS	-
	Latte	40GAS	42GAS	-
	Rye	40MTS	42MTS	-
	Slate	40GES	42GES	-
	Spice	40MSS	42MSS	-
	Truffle	40MBS	42MBS	-
PAINTED*	FINISH	MISSION	MISSION W/ DFO	MISSION DURAFORM W/ DFO (TEXTURED)
	Black	40FDS	42FDS	-
	Boulder	40MIS	42MIS	-
	Harbor	40MKS	42MKS	-
	Linen	40MPS	42MPS	-
	Mist	40FHS	42FHS	-
	Navy	40FBS	42FBS	-
	Sage	40FCS	42FCS	-
	Stone	40MYS	42MYS	-
	Vanilla	40FVS	42FVS	-
DURAFORM	FINISH	MISSION	MISSION W/ DFO	MISSION DURAFORM W/ DFO (TEXTURED)
	Breeze (◆ Linen Cabinet Box)	-	-	42EPA
	Drift (◆ Harbor Cabinet Box)	-	-	42EKB

*Premium finish

◆ Doors, Drawer Fronts and select SKUs (___DT) are Textured Duraform. All other finished cabinet and accessory surfaces will be in the indicated box finish above.

Stemson

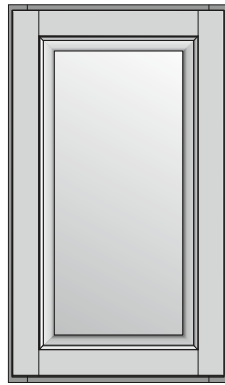
NEW!

FINISH

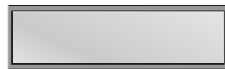
NEW!

DOOR STYLE

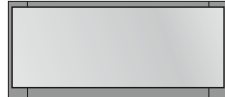
Stemson



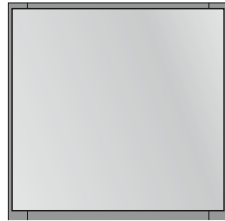
Door



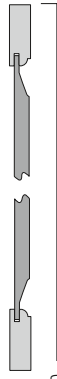
Kneehole Drawer Front



Standard Drawer Front

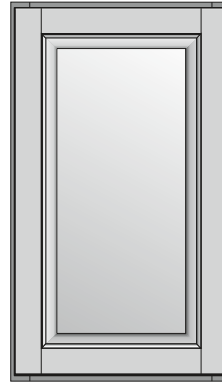


Large Drawer Front

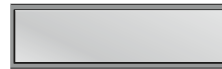


Cross Section

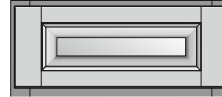
Stemson w/ DFO



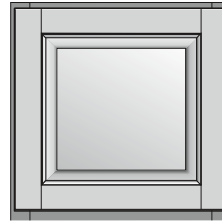
Door



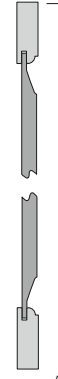
Kneehole Drawer Front



Standard Drawer Front



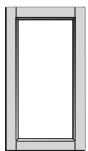
Large Drawer Front



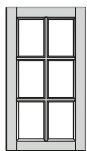
Cross Section

Door Style Details

Door Description:	Raised Panel
Door Rail & Style Width:	2 1/4"
Tall Door Details:	Center Rail on 50" High Doors
Hinge:	Deep Full Overlay
Decorative Hardware:	Required
Specialty Doors:	OFD, MFD (See page 45 for details)



OFD



MFD

Available Finishes

MAPLE	FINISH	STEMSON	STEMSON W/ DFO
	Cognac	69MRS	70MRS
	Latte	69GAS	70GAS
	Rye	69MTS	70MTS
	Slate	69GES	70GES
	Spice	69MSS	70MSS
	Truffle	69MBS	70MBS
PAINTED*	FINISH	STEMSON	STEMSON W/ DFO
	Biscotti Glaze	69FVF	70FVF
	Black	69FDS	70FDS
	Boulder	69MIS	70MIS
	Ember Glaze	69MKO	70MKO
	Harbor	69MKS	70MKS
	Linen	69MPS	70MPS
	Mist	69FHS	70FHS
	Navy	69FBS	70FBS
	Pewter Glaze	69MPQ	70MPQ
	Sage	69FCS	70FCS
	Stone	69MYS	70MYS
	Vanilla	69FVS	70FVS

*Premium finish

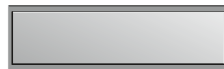
Sydney

NEW! FINISHES

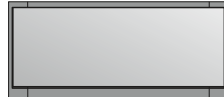
Sydney



Door



Kneehole Drawer Front



Standard Drawer Front



Large Drawer Front



Cross Section



Sydney (Textured)



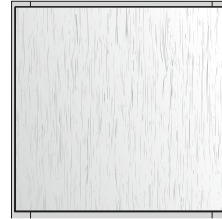
Door



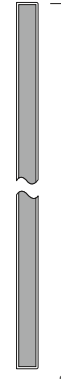
Kneehole Drawer Front



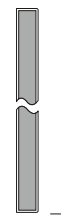
Standard Drawer Front



Large Drawer Front



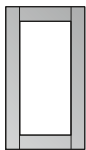
Cross Section



Door Style Details

Door Description:	Slab ■
Door Rail & Style Width:	3" (on OFD doors)
Tall Door Details:	No Center Rail on 50" High Doors
Hinge:	Deep Full Overlay
Duraform Material:	Polypropylene (Espresso) Textured PVC-wrapped (Breeze/Drift)
Decorative Hardware:	Required
Specialty Doors:	OFD (See page 45 for details)

■ Stained and Duraform finishes feature edge-banding on all sides



OFD

Available Finishes

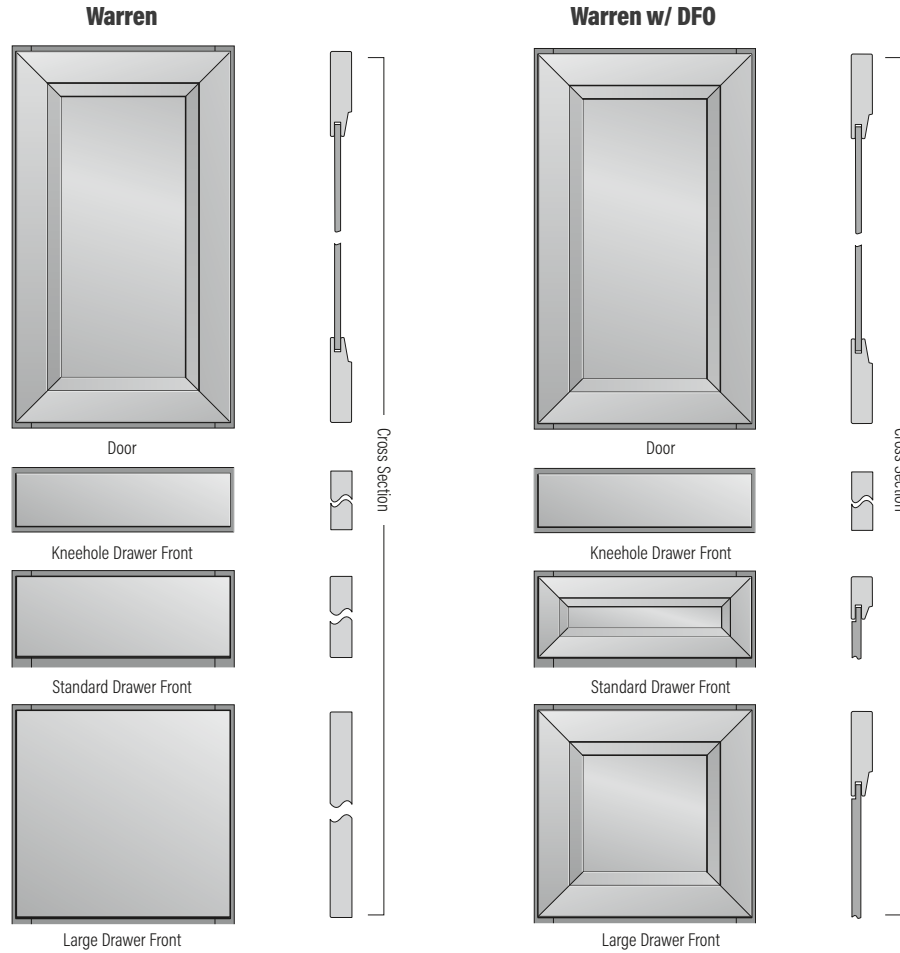
CHERRY	FINISH	SYDNEY	SYDNEY (TEXTURED)
	Amber	39CFS	-
	Java	39CKS	-
	Slate	39CES	-
MAPLE	FINISH	SYDNEY	SYDNEY (TEXTURED)
	Cognac	39MRS	-
	Latte	39GAS	-
	Rye	39MTS	-
	Slate	39GES	-
	Spice	39MSS	-
	Truffle	39MBS	-
PAINTED*	FINISH	SYDNEY	SYDNEY (TEXTURED)
	Black	39FDS	-
	Boulder	39MIS	-
	Harbor	39MKS	-
	Linen	39MPS	-
	Mist	39FHS	-
	Navy	39FBS	-
	Sage	39FCS	-
	Stone	39MYS	-
	Vanilla	39FVS	-
DURAFORM	FINISH	SYDNEY	SYDNEY (TEXTURED)
	Espresso	39EJS	-
	Breeze (◆ Linen Cabinet Box)	-	39EPA
	Drift (◆ Harbor Cabinet Box)	-	39EKB

*Premium finish

◆ Doors, Drawer Fronts and select SKUs (___DT) are Textured Duraform. All other finished cabinet and accessory surfaces will be in the indicated box finish above.

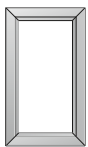
Warren

NEW! FINISH



Door Style Details

Door Description:	Mitered with Recessed Panel
Door Rail & Stile Width:	3"
Tall Door Details:	No Center Rail on 50" High Doors
Hinge:	Deep Full Overlay
Decorative Hardware:	Required
Specialty Doors:	OFD (See page 45 for details)



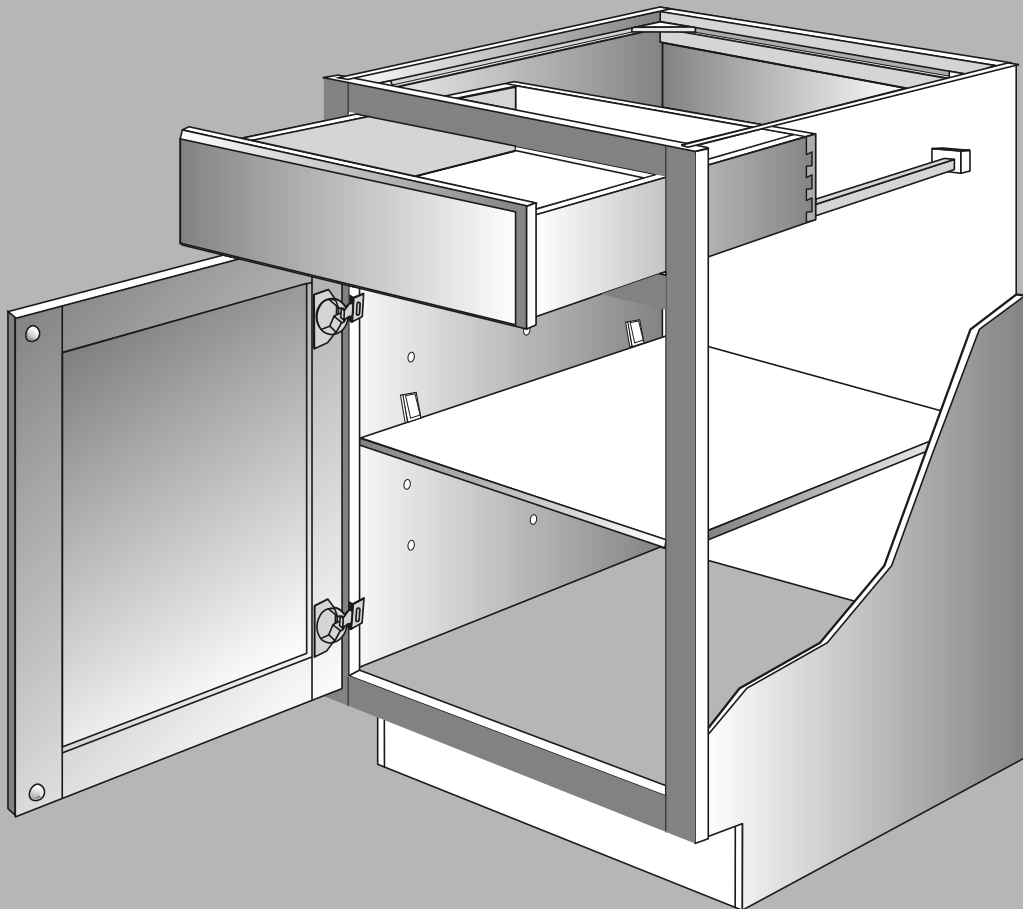
OFD

Available Finishes

MAPLE	FINISH	WARREN	WARREN W/ DFO
	Cognac	57MRS	58MRS
	Latte	57GAS	58GAS
	Rye	57MTS	58MTS
	Slate	57GES	58GES
	Spice	57MSS	58MSS
	Truffle	57MBS	58MBS
PAINTED*	FINISH	WARREN	WARREN W/ DFO
	Biscotti Glaze	57FVF	58FVF
	Black	57FDS	58FDS
	Boulder	57MIS	58MIS
	Ember Glaze	57MKO	58MKO
	Harbor	57MKS	58MKS
	Linen	57MPS	58MPS
	Mist	57FHS	58FHS
	Navy	57FBS	58FBS
	Pewter Glaze	57MPQ	58MPQ
	Sage	57FCS	58FCS
	Stone	57MYS	58MYS
	Vanilla	57FVS	58FVS

*Premium finish

Standard Cabinet Specs



KCMA Certified

All cabinetry manufactured by Shenandoah is certified by the Kitchen Cabinet Manufacturers Association (KCMA).

KCMA sets the American National Standards Institute/KCMA 161.1-2000 uniform performance and construction standards for kitchen and vanity cabinets. The program is referenced by U.S. Government agencies; architects; builders; remodelers; and other specifiers.

Cabinets that bear the KCMA seal of certification are recognized as a quality product with the ability to perform after a rigorous battery of tests, simulating years of typical household use. Tests are performed by approved third-party independent laboratories.

Shenandoah is proud to display the KCMA seal of certification for cabinet construction.



Environmentally Responsible Stewardship

As a leading U.S. manufacturer of fine cabinetry, American Woodmark Corporation is committed to conducting business in a manner that both protects the environment and safeguards public health and safety. To achieve this end, the company proactively identifies potential environmental risks and monitors compliance with appropriate federal, state, local and internal standards.

The company has received certification by the Kitchen Cabinet Manufacturers Association (KCMA) Environmental Stewardship Program on all products. The certification was awarded based on compliance across a broad range of activity including air quality, product resource management, process resource management, environmental stewardship and community relations.

The company works with all suppliers to encourage sustainable forestry practices. Wood doors, drawer fronts and cabinet front frames are made from solid hardwoods. Particle board and plywood are purchased from suppliers that meet either the Composite Panel Association requirements for Environmentally Preferred Products or the Composite Panel Associations Eco-Certified Composite Standards.

The company uses leading edge technologies to limit both hazardous and non-hazardous emissions, byproducts and waste. Ongoing, formal programs identify opportunities for recycling and reusing materials. When waste ultimately requires disposal, steps are taken to minimize the environmental impact.

The American Woodmark Foundation supports local programs serving the community, including activities focused on maintaining the quality of life.

Our company is dedicated to doing our part in the preservation and sustainability of the environment.



KITCHEN CABINET MANUFACTURERS ASSOCIATION,
ENVIRONMENTAL STEWARDSHIP PROGRAM (ESP).
ALL PRODUCTS IMPACT THE ENVIRONMENT.
FOR ESP PROGRAM CRITERIA, VISIT KCMA.ORG

Standard Cabinet Specifications

Cabinet Front Face Frames

Cabinet front face frames are made from $\frac{3}{4}$ " x $1\frac{5}{8}$ " kiln-dried hardwood and/or engineered materials to prevent warping and provide superior strength, durability and finished appearance. Face frame joints are precision fixtured, pressure fitted and mechanically fastened.

Cabinet Side Panels

Cabinet side panels are $\frac{1}{2}$ " thick engineered wood. The exterior sides match cabinet finish and interior sides are finished with a natural woodgrain look. They are captured into a grooved front face frame and secured using high-strength fasteners and glue.

Cabinet Tops, Bottoms and Floors

Tops, bottoms and floors are $\frac{1}{2}$ " thick engineered wood. The exteriors and interiors are finished with a natural woodgrain look. They are fitted and glued into the cabinet front face frame grooves, then captured in the grooves of the cabinet side panels.

Cabinet Back

The cabinet back is made from $\frac{1}{8}$ " thick hardboard substrate. The inside cabinet surface is finished with a natural woodgrain look.

Hanging Rails

The base and vanity top hanging rail is $\frac{3}{4}$ " thick solid wood, mortise and tenon joined and glued to the cabinet side panels. The wall cabinet hanging rails are $\frac{1}{2}$ " thick engineered wood, glued and pinned into the cabinet back, cabinet side panels and top/bottom.

Cabinet Shelves

Cabinet shelves are $\frac{3}{4}$ " thick engineered wood. The shelves are finished with a natural woodgrain look. Shelves are banded on one side with edge banding. All shelves are adjustable and meet KCMA load standards of 15 pounds per square foot.

Drawer Systems

Cabinets utilize natural finish dovetail hardwood drawers with fully captured bottoms and Full-Access Hidden Glides® or Full-Access CushionClose Glides. All drawers meet KCMA load standards of 15 pounds per square foot.

Drawer Systems – Deep Roll Out Trays

Deep Roll Out Trays utilize natural finish dovetail hardwood drawers. Deep Roll Out Trays feature side-mounted $\frac{3}{4}$ " access drawer glides or Full-Access CushionClose glides. All Deep Roll Out Trays meet KCMA load standards of 15 pounds per square foot.

Corner Blocks

Corner blocks are attached to help ensure cabinet squareness and allow for proper countertop installation.

Hinges

Fully concealed, self-closing Hidden Hinges® are standard on all door styles.

Door Height	Number of Hinges
12" - 36"	2
39" - 50"	3

Inset Toe Kick

Inset toe kicks are constructed of $\frac{1}{2}$ " thick **unfinished** engineered wood and are recessed $3\frac{1}{2}$ ". Standard toe kick dimensions are 4" high and recessed $3\frac{1}{2}$ ".

BTK8 (matching toe kick) required for installation.

CONTINUOUS IMPROVEMENT

In keeping with our policy of continuous product refinement, Shenandoah Cabinetry reserves the right to change specifications in design and materials as conditions require.

Finishing Systems & Cabinet Care

Finishing Systems

The finishing systems used on our products are designed to ensure the beauty and durability of our cabinetry. State-of-the-art equipment allows precise sanding, filling and finish coverage of each of our products.

Environmentally Responsible Finishing

Our panel finishing system uses only water-based paints and fillers, yielding neither hazardous waste nor water contamination. Our acrylic and urethane materials are 100% solids, dried using high-intensity lights, yielding no atmospheric emissions. Our products are extremely resistant to stains and surface damage that can be caused by common household chemicals. Our products exceed KCMMA and ANSI standards for resistance to stains like coffee, grape juice and moisture.

Cabinet Care

Remove dust from cabinets frequently with a soft lint-free cloth. The cloth may be slightly dampened with water or a spray type dust remover. Do not use a paste wax type material. Wax buildup is difficult to remove and will leave a residue that attracts dust and moisture. Polishes containing silicon should not be used. Clean spills immediately. Use a clean cloth and mild soap if necessary. Wipe dry with a clean soft cloth. Do not use detergents, citrus cleaners, ammonia-based cleaners, chlorine-based cleaners, steel wool, soap pads or abrasive cleaners on cabinets.

Extra care should be taken that cabinet finishes are not exposed to heat in excess of 200° Fahrenheit (174° for Duraform thermofoil door styles). Do not place or mount small appliances beneath wall cabinets. These appliances (such as coffee makers and toasters) can produce excessive heat, which can damage the finish of cabinets. Do not expose Duraform thermofoil doors or drawer fronts to heat created from self-cleaning ovens or ranges. The HSK (Heat Shield Kit) should be used when Duraform thermofoil cabinets are installed or mounted directly next to ovens or ranges.

Allow Cabinets To Age Beautifully

Our cabinets showcase the careful selection of natural and engineered materials to achieve the best possible look. While every effort is made to match wood grain as closely as possible, no two pieces of wood are exactly alike, even from the same tree. These differences in natural color and grain mean that each piece will respond differently to the finishing materials used. For example, close-grained woods absorb less and will vary in color from more open-grained pieces from the very same tree. It's these variations that contribute to the beauty and distinction of quality wood products. However, exposure to sunlight, smoke and chemicals may cause some materials to fade or vary from their original color over time.

This is why cabinets, doors, drawer fronts and accessories added at a later date may not exactly match cabinets installed now. For the same reasons, door samples or displays may not represent the exact color of cabinets received at the time of shipment. Consumers should also read all cleaning agent instructions carefully before application.

Due to changes that occur from natural and environmental factors a cabinet is exposed to over its lifetime, we cannot be responsible for variations that occur in the finish of natural and engineered materials as they age.

Door Species & Characteristics

Shenandoah incorporates solid hardwoods and hardwood veneers. These are natural materials with inherent variations. As such, our quality standards establish tolerance ranges for matching the hardwood pieces. Consumers should review actual samples of hardwoods in our buying centers and cabinet displays to help establish realistic expectations of variations involving wood grain, color tones, presence of knots and so forth.

These variations are at the heart of the unique natural beauty of finished hardwood. In addition, exposure of wood products to sunlight, some chemical agents and smoke can cause wood colors to change over time.

Cherry

Cherry is a close-grained, multicolored hardwood with occasional pin knots and fine grain variations appearing as curls and waves. Natural features of Cherry include:

- Small sap pockets, pin knots and streaks
- Color ranges from pale yellow sapwood to deep reddish-brown heartwood, with occasional shades of white, green, pink or even gray
- Staining reveals subtle variations and colors that typically darken over time
- Variations within a single door

Maple

Maple is an exceptionally hard, finely grained wood species with a fine, even texture. Darker stains will moderate the color variance; lighter stains mellow with golden hues over time. Natural features of Maple include:

- White to light blonde tones to dark reddish-brown tones
- Small mineral streaks of light blond or reddish brown that darken with stain
- Wavy, curly bird's-eye or burl graining as well as worm tracking across the grain that will darken when stained
- Variations within a single door

Painted

Painted finishes combine hardwoods and engineered materials including solid wood, medium density fiberboard (MDF), high density fiberboard (HDF) and similar materials to achieve a product with superior stability, consistency, coverage and durability. Painted door features include:

- Visible joint lines may appear due to the natural expansion and contraction of wood
- A natural aging process that may change the tone of paint colors over time

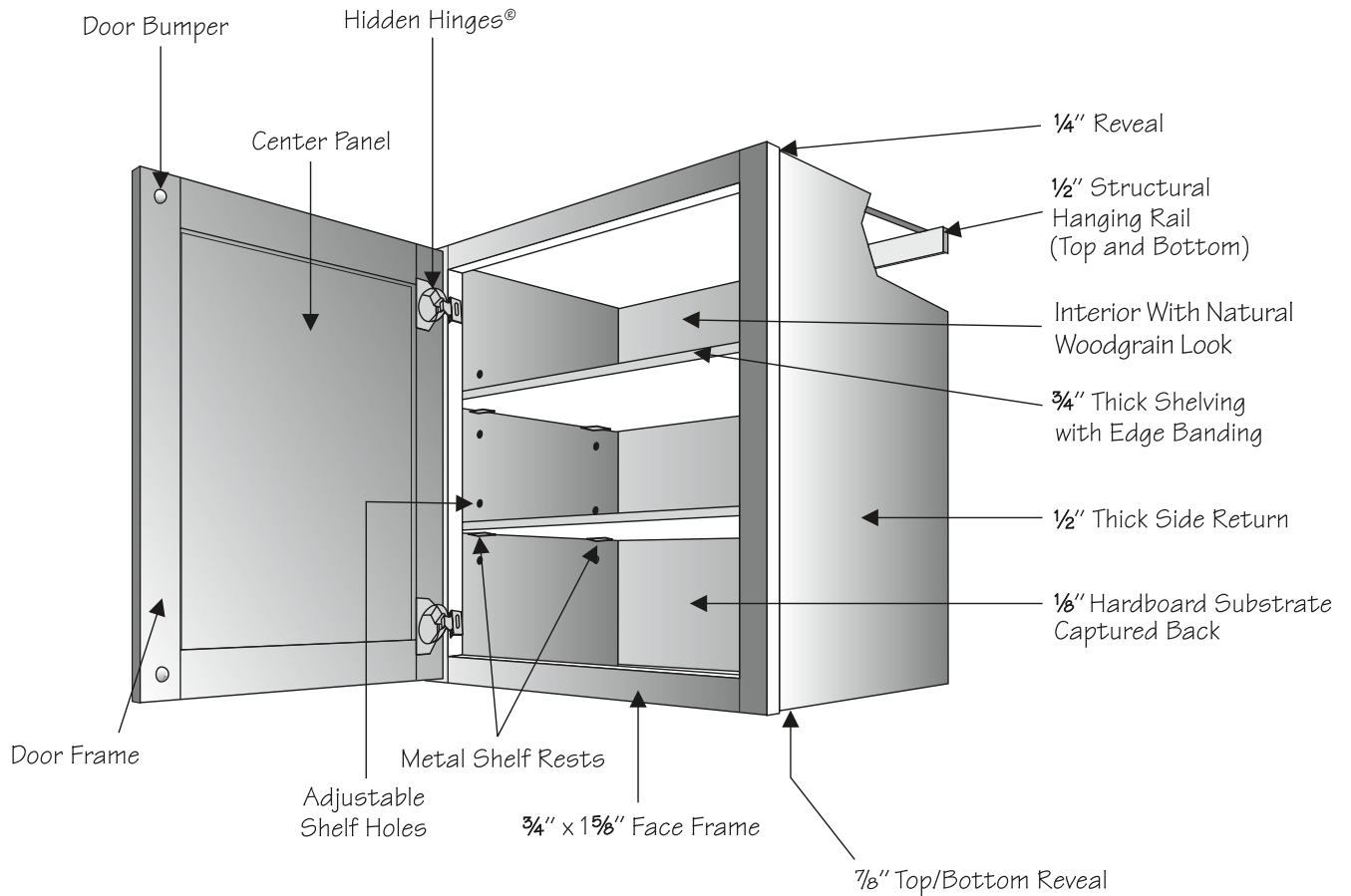
Duraform

Duraform uses highly-technological manufacturing processes to bond foils, vinyl films and coatings to medium density fiberboard (MDF), high density fiberboard (HDF) and similar materials to achieve a product with exceptional stability, consistency and durability. Duraform door styles feature wrapped doors and drawer fronts. All other cabinet and accessory surfaces are painted to complement the selected Duraform finish, unless otherwise noted.

- The finish, color and texture are consistent throughout the surface
- The surface is highly durable and easy to clean
- Materials are resistant to humidity and fading
- Refer to page 21 for standard cabinet box construction

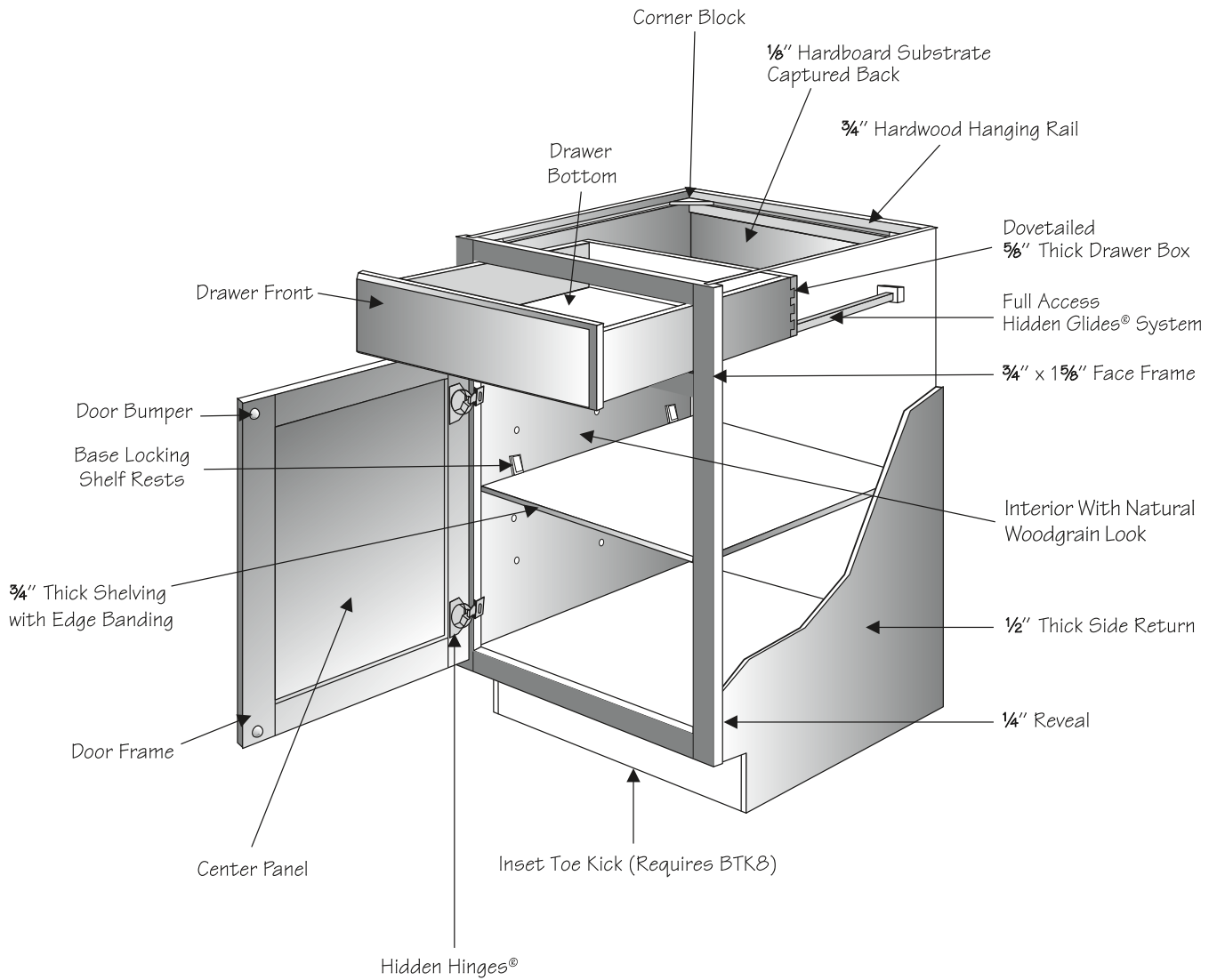
Wall Cabinet Construction

The drawing below illustrates and identifies the parts of a standard wall cabinet.



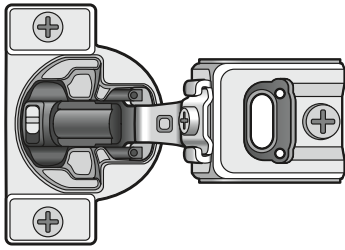
Base Cabinet Construction

The drawing below illustrates and identifies the parts of a standard base cabinet.



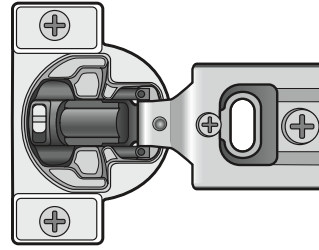
NOTE: Base single door cabinets are hinged left and can be reversed in the field.

6-Way Adjustable Full Overlay (FOL) Door Hinge



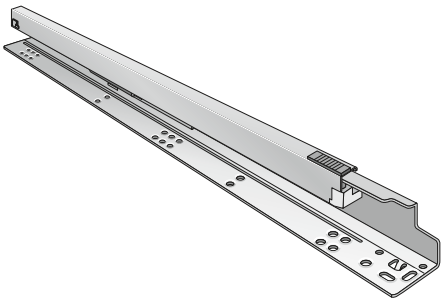
All steel construction with nickel-plated finish, Full Overlay hinge with self-closing feature that allows door to close unassisted when approximately 20-30 degrees open. Hinges permit doors to open to approximately 105 degrees. Six-way adjustability allows in/out, up/down, and side-to-side adjustments. Exceeds industry standard for durability. Standard feature on all Full Overlay (FOL) door styles. Hinge restrictors are available to order separately to limit doors to opening more than 86 degrees.

6-Way Adjustable Partial Overlay (POL) Door Hinge



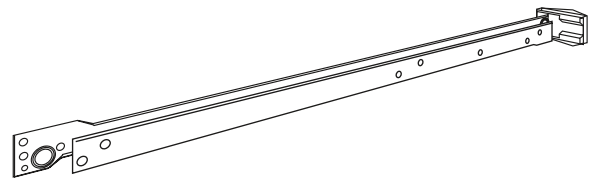
All steel construction with nickel-plated finish, Partial Overlay hinge with self-closing feature that allows door to close unassisted when approximately 20-30 degrees open. Hinges permit doors to open to approximately 105 degrees. Six-way adjustability allows in/out, up/down, and side-to-side adjustments. Exceeds industry standard for durability. Standard feature on all Partial Overlay (POL) door styles. Hinge restrictors are available to order separately to limit doors to opening more than 86 degrees.

Full-Access Hidden Glides System



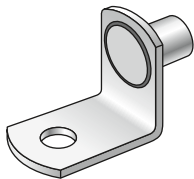
The Full-Access Hidden Glide System features dual-telescoping glide members that are supported by precision roller-carriage bearings providing smooth, stable and quiet operation. This glide system opens fully to provide complete access to drawer contents and features an integrated self-closing mechanism.

Side-Mounted Roll-Out Tray Glides



This ¼" access glide system features twin self-aligning side-mounted drawer glides. They are constructed of epoxy-coated steel for quiet opening and closing. Rollers are made of Delrin for smooth operation.

Metal Shelf Rest



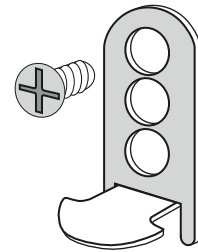
¼" steel, nickel plated. Standard feature on all wall cabinets, bookshelves, and Open Frame Door cabinets.

Base Locking Shelf Rest



Locks base shelves in place and prevents shelves from sliding. Designed to allow easy shelf removal. Molded from clear high-strength polycarbonate. Standard feature on all base and tall cabinets.

Mullion Shelf Rest



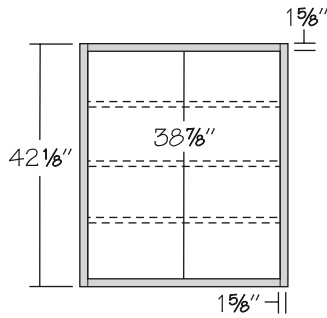
Six position adjustable to allow for superior alignment of shelf with mullion. Metal construction. Standard feature on all Mullion Frame Door cabinets.

Cabinet Dimensions

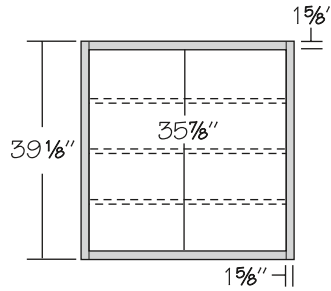
These illustrations specify dimensions of vertical stiles and horizontal rails, inset toe kick, cabinet heights, and standard interior opening heights. Wall Top Hinge and all Butt door cabinets do not have a center stile. Wall cabinets 39" or wider will feature a 3 1/4" center stile.

Wall Cabinets

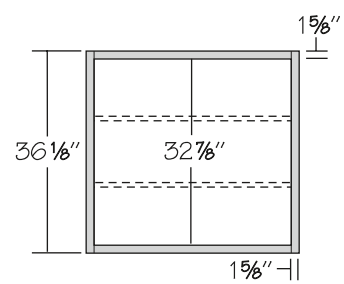
Wall Cabinet
42" High



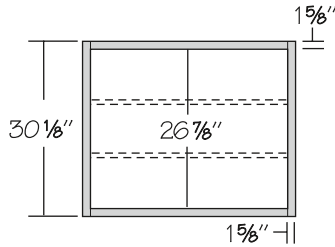
Wall Cabinet
39" High



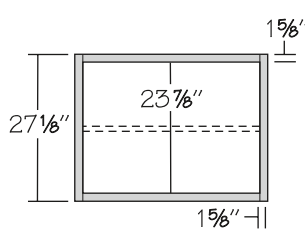
Wall Cabinet
36" High



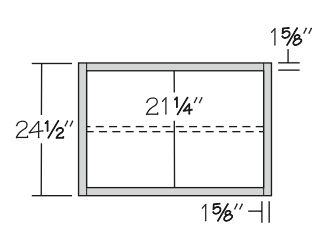
Wall Cabinet
30" High



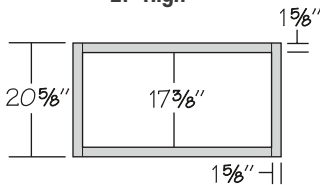
Wall Cabinet
27" High



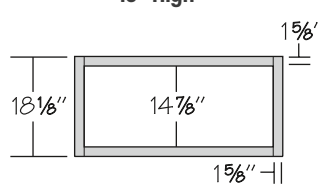
Wall Cabinet
24" High



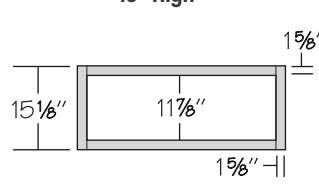
Wall Cabinet
21" High



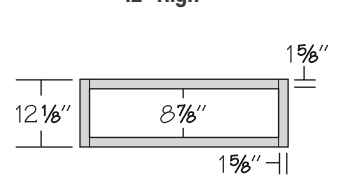
Wall Cabinet
18" High



Wall Cabinet
15" High

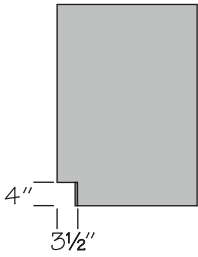


Wall Cabinet
12" High



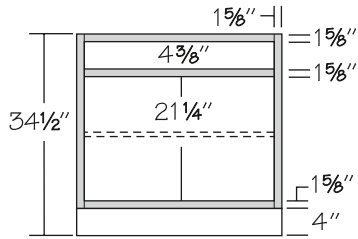
Base Cabinets

Inset Toe Kick

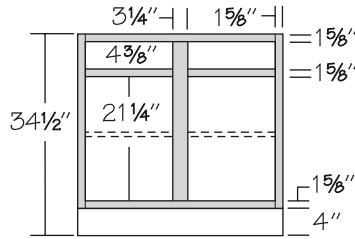


Inset toe kick construction requires BTK8 matching toe kick—must be ordered separately.

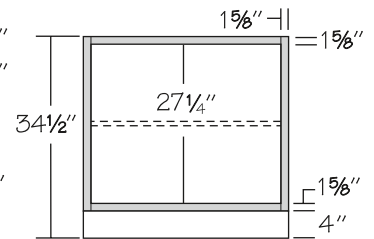
Standard Base Cabinet with Butt Doors



Standard Base Cabinet with Center Stile

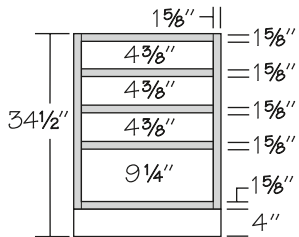


Full-Height Base Cabinet

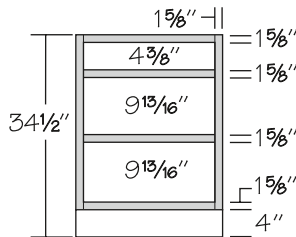


Drawer Base Cabinets

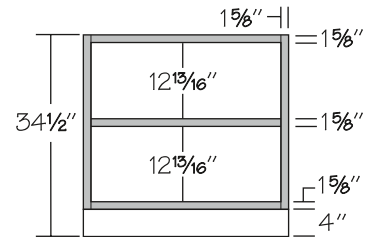
4 Drawer Base Cabinet



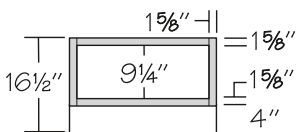
3 Drawer Base Cabinet



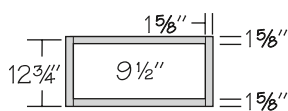
2 Drawer Base Cabinet



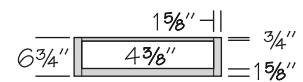
Pedestal Drawer Base Cabinet



Furniture Drawer Cabinet 12" High

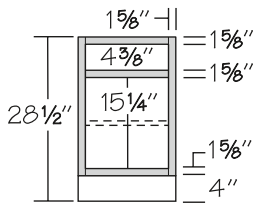


Furniture Drawer Cabinet 6" High

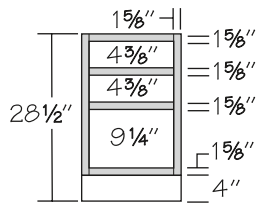


Desk Cabinets

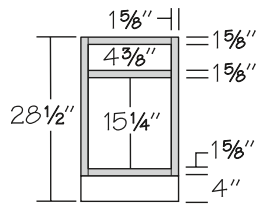
Desk Base Cabinet



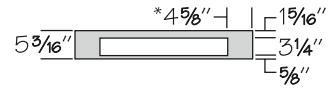
Desk Drawer Cabinet



Desk File Pull Out



Kneehole Drawer

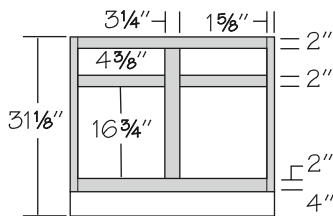


Trimmable in height to 4 3/4"

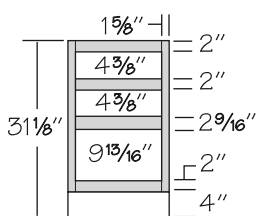
*Dimension for KDC36/33 is 3 1/8"

Vanity Cabinets

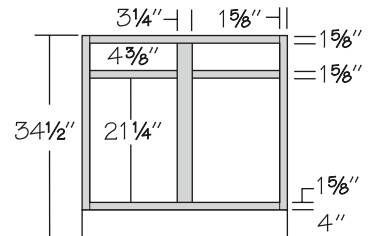
**Vanity Base Cabinet
Standard Height**



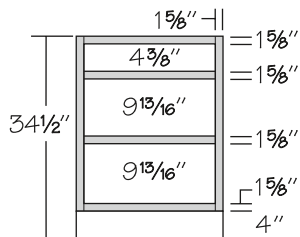
**Vanity Drawer Base
Standard Height**



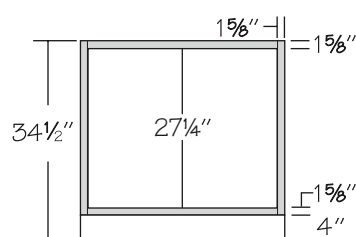
**Vanity Base Cabinet
Base Height**



**Vanity Drawer Base
Base Height**

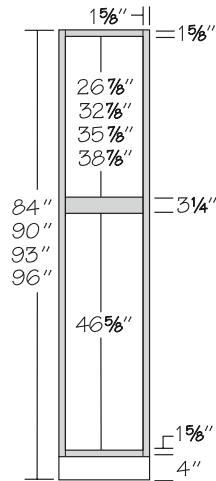


**Vanity Full-Height
Base Cabinet**

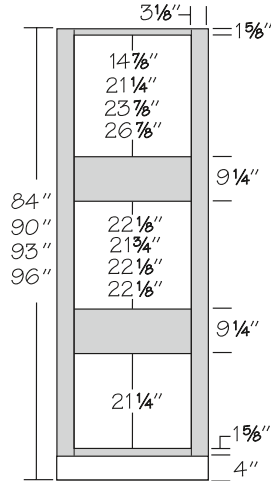


Tall Cabinets

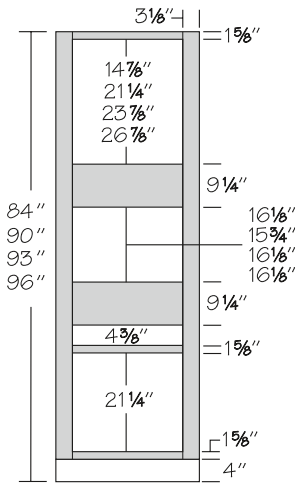
Utility/Vanity Linen Cabinet
2 Doors or 4 Butt Doors



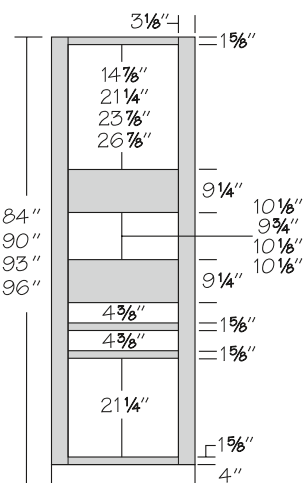
Single Oven Cabinet
4 Butt Doors*



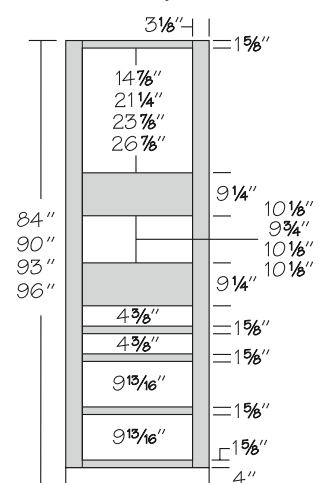
Single Oven Cabinet
4 Butt Doors, 1 Drawer*



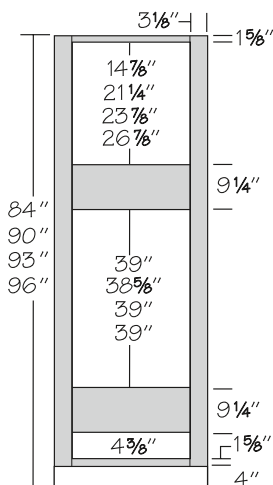
Single Oven Cabinet
4 Butt Doors, 2 Drawers*



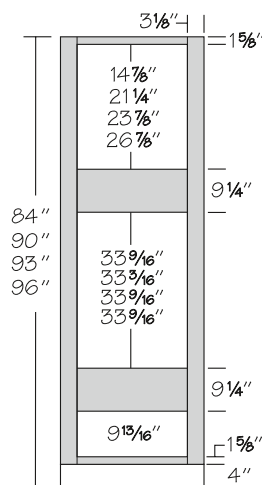
Single Oven Cabinet
2 Butt Doors, 4 Drawers*



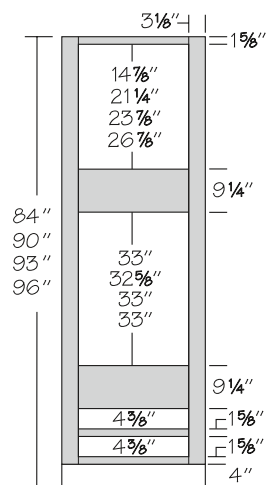
Double Oven Cabinet
2 Butt Doors, 1 Drawer*



Double Oven Cabinet
2 Butt Doors, 1 Large Drawer*

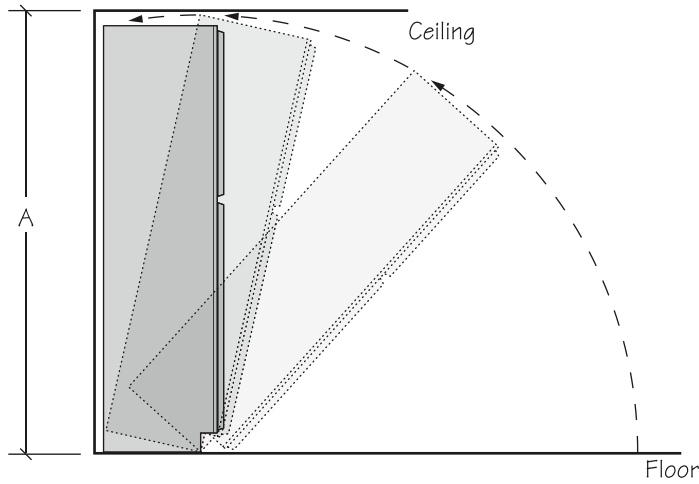


Double Oven Cabinet
2 Butt Doors, 2 Drawers*



*Actual height of oven opening shown. For actual width, maximum width and maximum height dimensions, please refer to Cut Out Dimensions Chart in specific cabinet SKU box.

Ceiling Height Requirements for Tall Cabinets



Notes

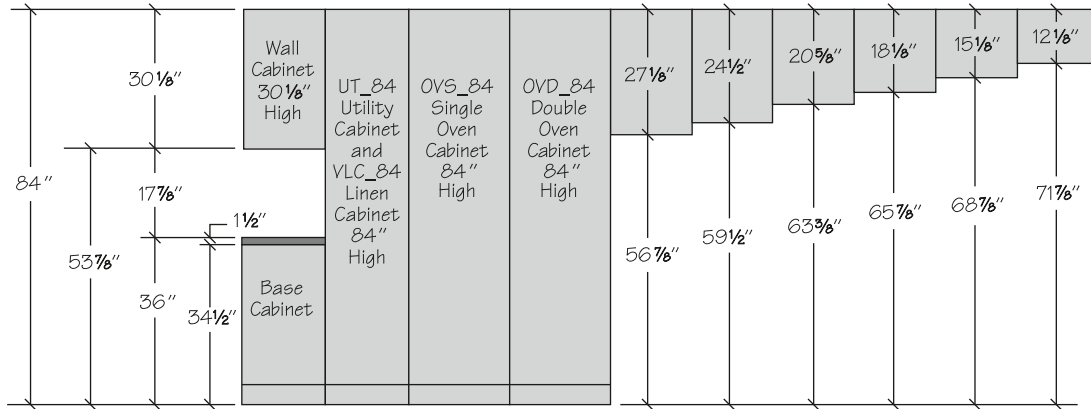
- 93" and 96" high Tall cabinets are shipped with 4" inset toe kick assembly shipped inside cabinet.

Height	Cabinet Depth	Minimum Ceiling Height A
84"	12"	84 ⁹ / ₁₆ "
84"	18"	85 ¹ / ₄ "
84"	20 ³ / ₄ "	85 ¹³ / ₁₆ "
84"	24"	86 ¹ / ₂ "
90"	12"	90 ¹ / ₂ "
90"	18"	91 ⁵ / ₁₆ "
90"	24"	92 ⁵ / ₁₆ "
93"	12"	93"
93"	18"	93"
93"	24"	93"
96"	12"	96"
96"	18"	96"
96"	24"	96"

Installation Height Guidelines

These illustrations specify dimensions of the height requirements for top alignment of Wall and Tall cabinets (Linen, Utility, Oven) installation.

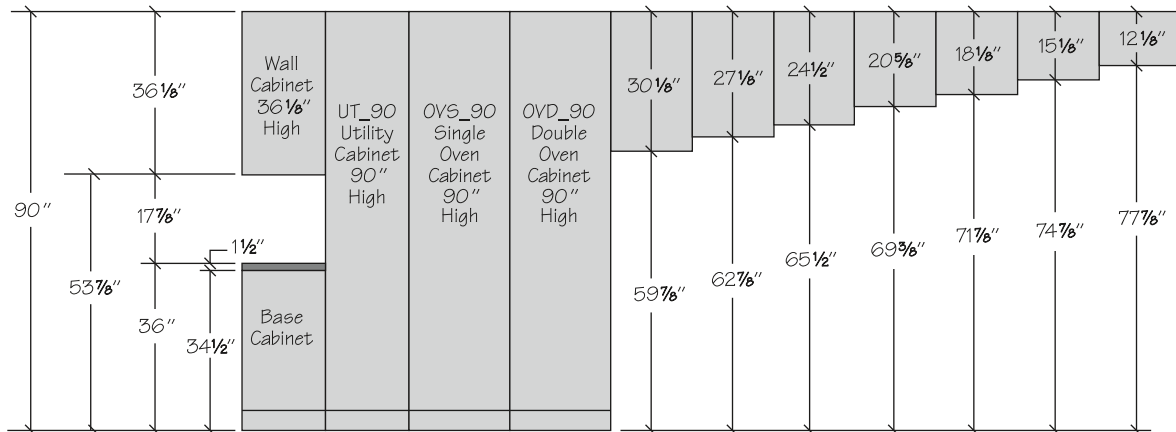
84" Top Alignment Cabinet Installation



Notes:

- 84" top alignment cabinet installation includes standard Wall cabinets (30 1/8" high) installed 53 7/8" above the finished floor, allowing 17 7/8" clearance between the Wall cabinets and a standard countertop height of 36".
- Tall cabinetry (Linen, Utility, Oven) is 84" high.
- **When selecting cabinetry for installation above or near any appliance, refer to the appliance manufacturer's specifications for clearance and venting requirements.**

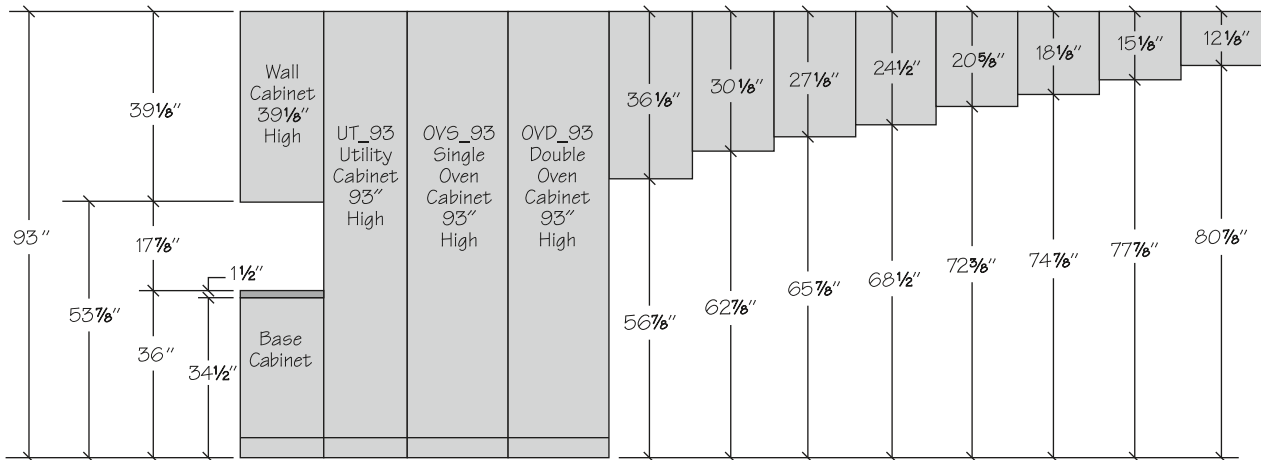
90" Top Alignment Cabinet Installation



Notes:

- 90" top alignment cabinet installation includes 36 1/8" high Wall cabinets installed 53 7/8" above the finished floor, allowing 17 7/8" clearance between the Wall cabinets and a standard countertop height of 36".
- Tall cabinetry (Utility, Oven) is 90" high.
- **When selecting cabinetry for installation above or near any appliance, refer to the appliance manufacturer's specifications for clearance and venting requirements.**

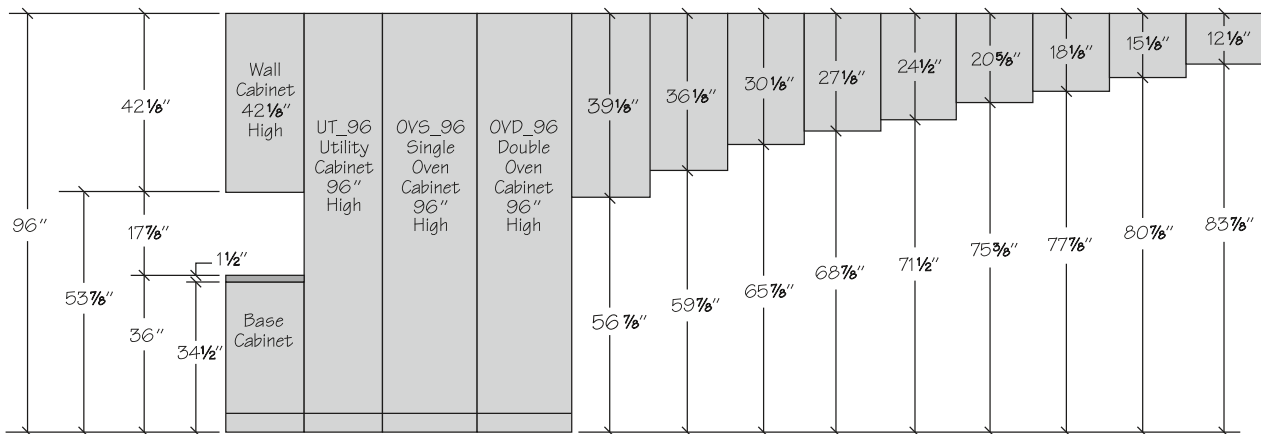
93" Top Alignment Cabinet Installation



Notes:

- 93" top alignment cabinet installation includes 39 1/8" high Wall cabinets installed 53 7/8" above the finished floor, allowing 17 7/8" clearance between the Wall cabinets and a standard countertop height of 36".
- Tall cabinetry (Utility, Oven) is 93" high.
- **When selecting cabinetry for installation above or near any appliance, refer to the appliance manufacturer's specifications for clearance and venting requirements.**

96" Top Alignment Cabinet Installation



Notes:

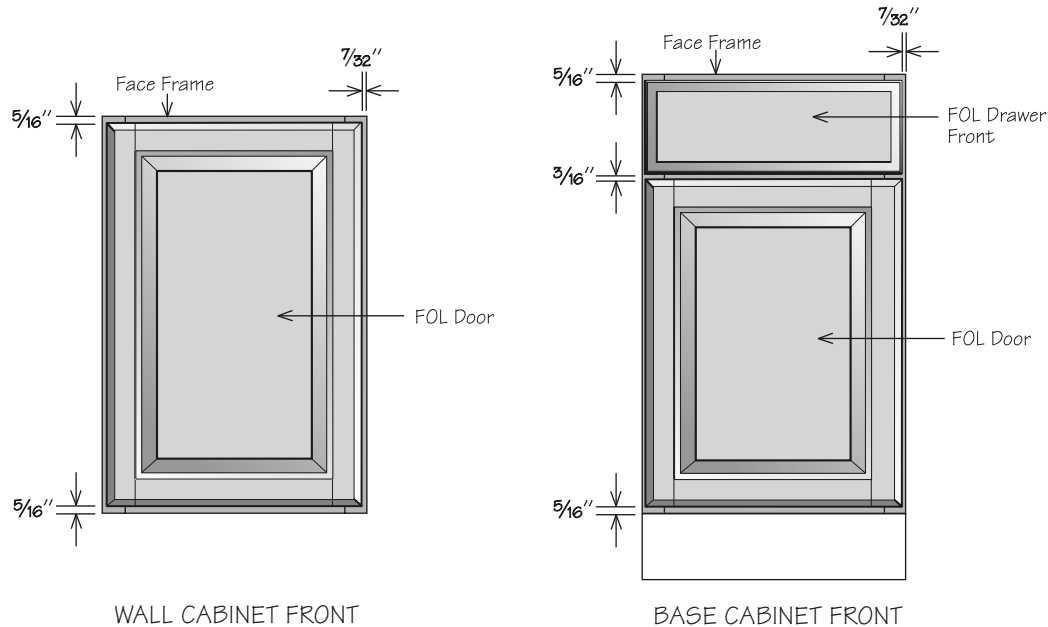
- 96" top alignment cabinet installation includes 42 1/8" high Wall cabinets installed 53 7/8" above the finished floor, allowing 17 7/8" clearance between the Wall cabinets and a standard countertop height of 36".
- Tall cabinetry (Utility, Oven) is 96" high.
- **When selecting cabinetry for installation above or near any appliance, refer to the appliance manufacturer's specifications for clearance and venting requirements.**

Overlay Dimensions

The drawings shown below illustrate the relationship between the cabinet face frame and Partial Overlay (POL) and Full Overlay (FOL) doors. They show the amount of the cabinet face frame that is visible when Partial Overlay doors or Full Overlay doors are selected.

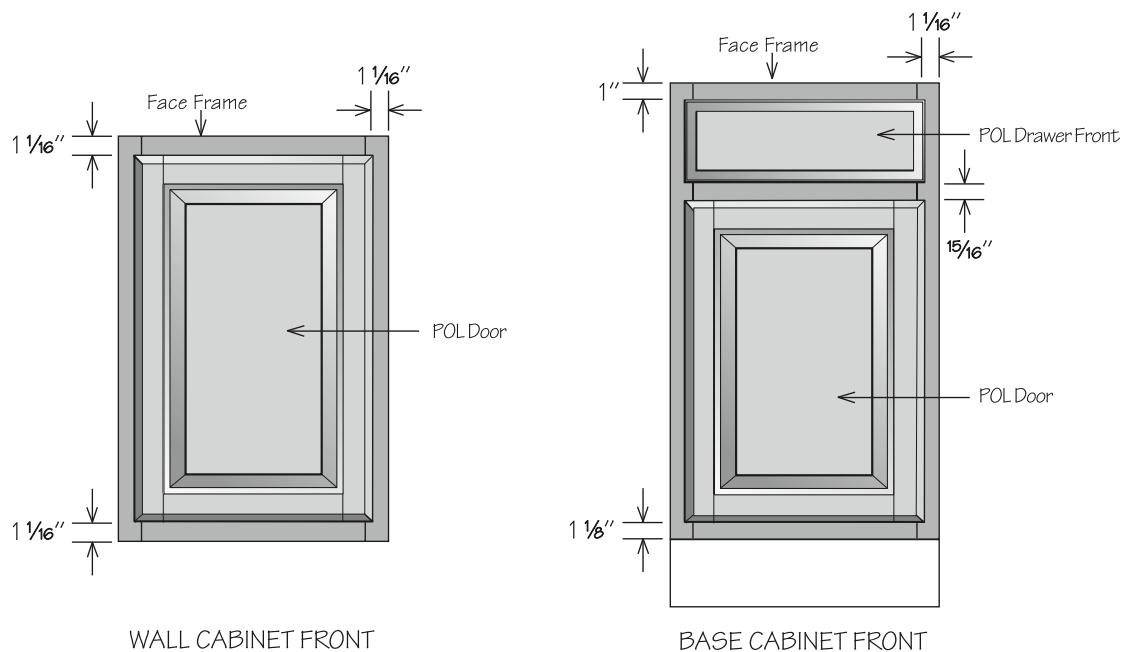
Full Overlay

Full Overlay (FOL) doors are sized to cover nearly all of the cabinet face frame. Full Overlay door styles require decorative hardware. **To facilitate proper door operation, include at least a 1" filler between the hinged side of Full Overlay door styles and deeper adjacent objects including cabinets, walls, appliances, and countertops.**

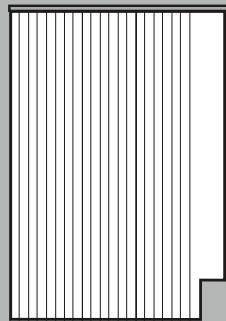
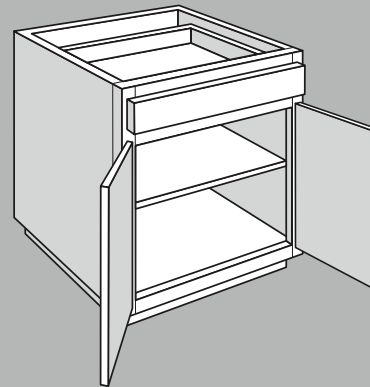
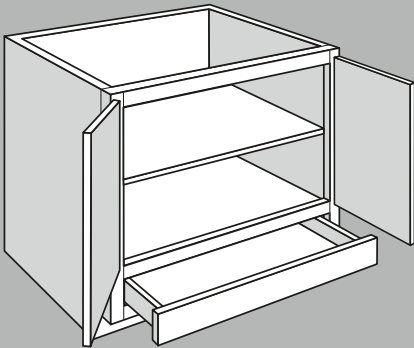
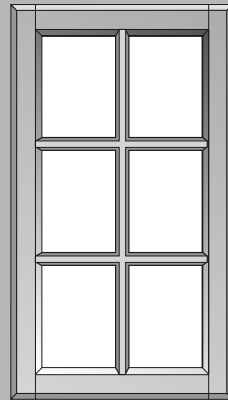
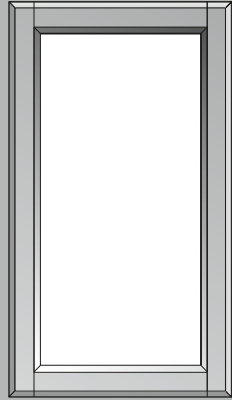


Partial Overlay

Partial Overlay (POL) doors are sized to show about an inch of the cabinet face frame, giving the door some visual depth. Some door styles do not require decorative hardware.



Construction Options



23 | 21 | 19 | 17 | 15 | 13 | 11 | 9 | 7 | 5 |
24" 22" 20" 18" 16" 14" 12" 10" 8" 6" 4"

Construction Options Legend

Icons used in this guide are shown below and indicate which construction options are available for a particular product.

AH	Accessible Height Option	NEW!	OPTION
APC	All Plywood Construction Option		
CFO	Cabinet Front Only Option		
FE	Furniture Ends Option		
ID	Increased Depth Option		
IF	Inverted Frame Option		
MI	Matching Interior Option		
PE	Plywood Ends Option		
RD	Reduced Depth Option		
RTK	Recessed Toe Kick Option		
VDO	Void Door Option		
VTD	Void Top Drawer Option		
XCDO	Remove CushionClose for Doors		
XCDW	Remove CushionClose for Drawers		
XCRO	Remove CushionClose for Roll Out Accessories		

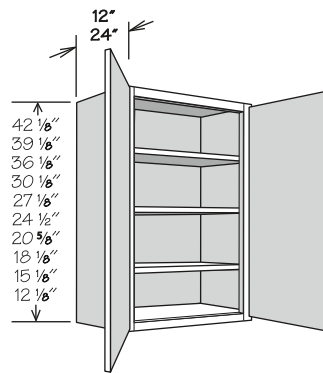
Example:

When a square ■ or diamond ◆ symbol is in an option box, it indicates that the construction option is ONLY available for SKUs listed with that symbol.

All options without a symbol are available for all SKUs.

In this example, the ◆ diamond indicates that only W3015 BUTT and W3015 BUTT SD are available with Increased Depth (ID), while the ■ square indicates that only the non-SD cabinets are available with Matching Interior (MI) and Void Door (VDO) options.

Wall Cabinets - 2 Butt Doors



CFO
FE
ID ◆
MI ■
PE
RD
VDO ■

12" DEEP

- W3015 BUTT ■ ◆
- W3015 BUTT SD ◆

24" DEEP

- W3015 X 24DP BUTT ■
- W3015 X 24DP BUTT SD

Premium Finish Cabinet Option

Our premium finishes accentuate the detailing and textures of the cabinetry.

- Luxurious paint which emphasizes lines and rich detail with an inviting texture.
- Glazes that settle into the recesses, corners and grooves to add definition and a distinctive patina.
- Glazes are applied over a painted base.

Premium Finish	Base Finish Details	Glaze Details	Available Collections
Painted Biscotti Glaze	Painted Vanilla	Neutral Brown Glaze	Edgeworth, Edgeworth w/ DFO, Glasson, Glasson w/ DFO, Irvington, Irvington w/ DFO, McKinley, Stemson, Stemson w/ DFO , Warren and Warren w/ DFO
Painted Ember Glaze	Painted Harbor	Warm Brown Gray	Edgeworth, Edgeworth w/ DFO, Glasson, Glasson w/ DFO, Irvington, Irvington w/ DFO, McKinley, Stemson, Stemson w/ DFO , Warren and Warren w/ DFO
Painted Pewter Glaze	Painted Linen	Dark Gray	Edgeworth, Edgeworth w/ DFO, Glasson, Glasson w/ DFO, Irvington, Irvington w/ DFO, McKinley, Stemson, Stemson w/ DFO , Warren and Warren w/ DFO

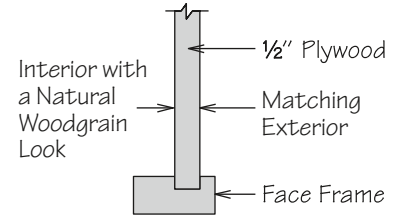
Premium Finish	Finish Details	Available Collections
Painted Black	Black Paint	Breckenridge, Breckenridge w/ DFO, Cottage, Edgeworth, Edgeworth w/ DFO, Glasson, Glasson w/ DFO, Irvington, Irvington w/ DFO, McKinley, Mission, Mission w/ DFO, Stemson, Stemson w/ DFO , Sydney, Warren and Warren w/ DFO
Painted Boulder	Dark Gray Paint	Breckenridge, Breckenridge w/ DFO, Cottage, Edgeworth, Edgeworth w/ DFO, Glasson, Glasson w/ DFO, Irvington, Irvington w/ DFO, McKinley, Mission, Mission w/ DFO, Stemson, Stemson w/ DFO , Sydney, Warren and Warren w/ DFO
Painted Harbor	Soft Warm Gray Paint	Breckenridge, Breckenridge w/ DFO, Cottage, Edgeworth, Edgeworth w/ DFO, Glasson, Glasson w/ DFO, Irvington, Irvington w/ DFO, McKinley, Mission, Mission w/ DFO, Stemson, Stemson w/ DFO , Sydney, Warren and Warren w/ DFO
Painted Linen	Soft White Paint	Breckenridge, Breckenridge w/ DFO, Cottage, Edgeworth, Edgeworth w/ DFO, Glasson, Glasson w/ DFO, Irvington, Irvington w/ DFO, McKinley, Mission, Mission w/ DFO, Stemson, Stemson w/ DFO , Sydney, Warren and Warren w/ DFO
Painted Mist	Light Blue Paint	Breckenridge, Breckenridge w/ DFO, Cottage, Edgeworth, Edgeworth w/ DFO, Glasson, Glasson w/ DFO, Irvington, Irvington w/ DFO, McKinley, Mission, Mission w/ DFO, Stemson, Stemson w/ DFO, Sydney, Warren and Warren w/ DFO
Painted Navy	Dark Blue Paint	Breckenridge, Breckenridge w/ DFO, Cottage, Edgeworth, Edgeworth w/ DFO, Glasson, Glasson w/ DFO, Irvington, Irvington w/ DFO, McKinley, Mission, Mission w/ DFO, Stemson, Stemson w/ DFO , Sydney, Warren and Warren w/ DFO
Painted Sage	Cool Dark Green Paint	Breckenridge, Breckenridge w/ DFO, Cottage, Edgeworth, Edgeworth w/ DFO, Glasson, Glasson w/ DFO, Irvington, Irvington w/ DFO, McKinley, Mission, Mission w/ DFO, Stemson, Stemson w/ DFO , Sydney, Warren and Warren w/ DFO
Painted Stone	Medium Cool Gray Paint	Breckenridge, Breckenridge w/ DFO, Cottage, Edgeworth, Edgeworth w/ DFO, Glasson, Glasson w/ DFO, Irvington, Irvington w/ DFO, McKinley, Mission, Mission w/ DFO, Stemson, Stemson w/ DFO , Sydney, Warren and Warren w/ DFO
Painted Vanilla	Warm Soft White Paint	Breckenridge, Breckenridge w/ DFO, Cottage, Edgeworth, Edgeworth w/ DFO, Glasson, Glasson w/ DFO, Irvington, Irvington w/ DFO, McKinley, Mission, Mission w/ DFO, Stemson, Stemson w/ DFO , Sydney, Warren and Warren w/ DFO

All Plywood Construction Option

APC

All Plywood Construction Option includes:

- ½" plywood sides, floors and cabinet tops
- ¾" plywood shelves with edge banding
- ⅝" plywood captured back
- ½" plywood inset toe kick
- ½" plywood corner blocks (excluding BEA/BPP/BPPUS/BTDP cabinets or cabinets with a solid top)



Notes:

- Exterior sides finished to match specific cabinet box exterior.
- Plywood will be visible from top and bottom of side panels.
- Available for individual cabinets or entire kitchen.
- All door styles feature standard interior sides with a natural woodgrain look and matching exterior sides.
- May be combined with all construction options excluding Cabinet Front Only and Plywood Ends.
- Toe kick support blocks are not plywood.
- Roll out accessories and drawer inserts will not feature All Plywood Construction.
- All Plywood Construction refers to the cabinet box components and shelving as detailed above (certain parts and accessories are not available with this construction option).
- Plywood can consist of a combination of veneer and medium density fiberboard (MDF) layers to achieve superior product stability and finish quality. Plywood components meet the ANSI/HPVA hardwood and decorative plywood standards (www.decorativehardwoods.org).

Plywood Ends Option

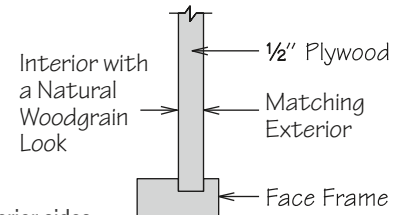
PE

Plywood Ends Option includes:

- ½" plywood cabinet sides

Notes:

- Exterior sides finished to match cabinet box exterior.
- Plywood will be visible from top and bottom of side panels.
- Available for individual cabinets or entire kitchen.
- All door styles feature standard interior sides with a natural woodgrain look and matching exterior sides.
- May be combined with all construction options excluding Cabinet Front Only, All Plywood Construction and Furniture Ends.
- Plywood Ends refers to the cabinet box side panels as detailed above (certain parts and accessories are not available with this construction option).
- Plywood can consist of a combination of veneer and medium density fiberboard (MDF) layers to achieve superior product stability and finish quality. Plywood components meet the ANSI/HPVA hardwood and decorative plywood standards (www.decorativehardwoods.org).



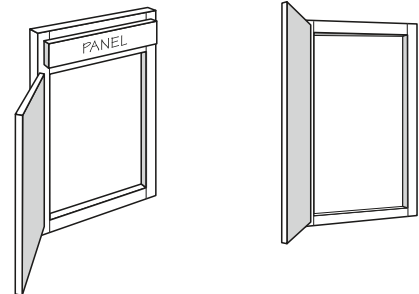
Cabinet Front Only Option

CFO

The Cabinet Front Only Option is available for most cabinets with a frame.

Notes:

- Cannot be combined with any construction option.
- This option consists of the cabinet front face frame, door(s), drawer front(s) and hinges.
- Toe kicks are not included.
- This option is only available for cabinets without accessories.



	Standard Construction	Plywood Ends Option (PE)	All Plywood Construction Option (APC)
Cabinet Sides	½" Engineered Wood	½" Plywood	½" Plywood
Cabinet Floor	½" Engineered Wood	½" Engineered Wood	½" Plywood
Cabinet Top (Wall Cabinets Only)	½" Engineered Wood	½" Engineered Wood	½" Plywood
Cabinet Back	⅛" Hardboard Substrate captured	⅛" Hardboard Substrate captured	⅛" Plywood captured
Inset Toe Kick	½" Engineered Wood	½" Engineered Wood	½" Plywood
Corner Blocks	½" Engineered Wood	½" Engineered Wood	½" Plywood* <i>*See APC option box for list of exclusions</i>
Shelves	¾" Engineered Wood with Edge Banding	¾" Engineered Wood with Edge Banding	¾" Plywood with Edge Banding
Wall Cabinet Hanging Rails	½" Engineered Wood Top and Bottom Rails	½" Engineered Wood Top and Bottom Rails	½" Plywood Top and Bottom Rails
Base Cabinet Hanging Rails	¾" Hardwood Top Rail ½" Engineered Wood Bottom Rail	¾" Hardwood Top Rail ½" Engineered Wood Bottom Rail	¾" Hardwood Top Rail ½" Plywood Bottom Rail

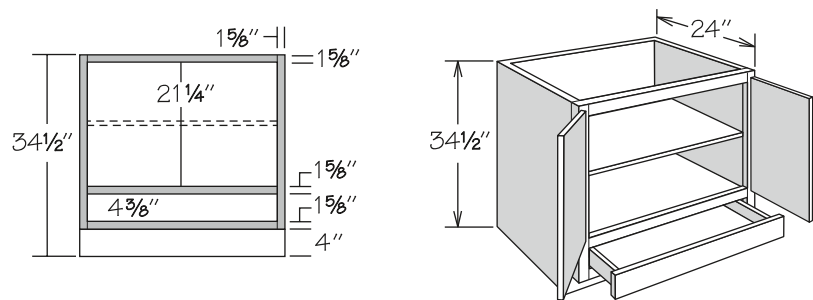
Inverted Frame Option

IF

The Inverted Frame Option is available for most standard base cabinets and base cabinets with accessories.

Notes:

- May be combined with all construction options excluding Cabinet Front Only and Void Top Drawer.
- Drawer(s) below full cabinet floor.
- Adjustable shelf is included.
- Back is not predrilled for Deep Roll Out Trays (DROT's).



Accessible Height Option

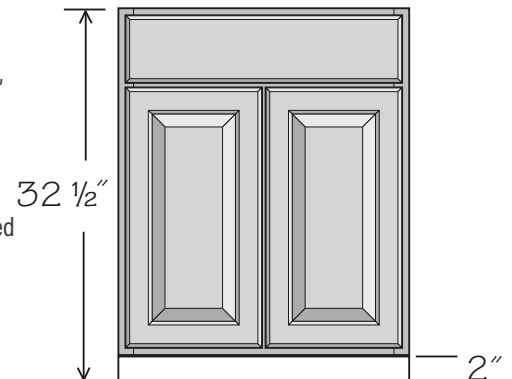
NEW! **OPTION**

AH

The Accessible Height Option is available for most cabinets that feature a toe kick.

Notes:

- This option reduces cabinet height by 2" off the toe kick area for an overall height of 32 ½" on base/vanity cabinets or 82", 88", 91" and 94" on tall cabinets.
 - » Toe kick boxes that are shipped separately on 93" & 96" high tall cabinets will also be reduced by 2" with this option.
- May be combined with all construction options excluding Cabinet Front Only and Recessed Toe Kick.
- Any cabinet part above toe kick (face frames, doors, internal cabinet accessories, etc.) will not be altered by this modification.



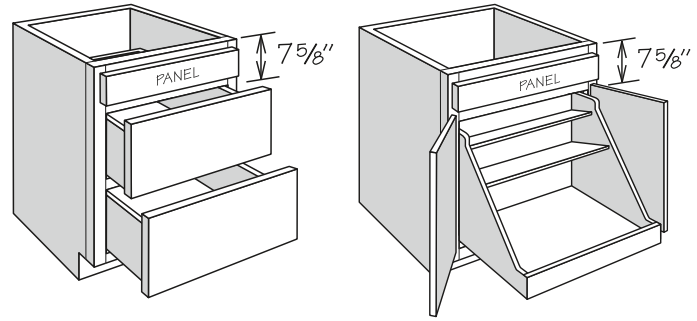
Void Top Drawer Option

VTD

The Void Top Drawer Option is available for most 3 Drawer Base, 4 Drawer Base, Base with Deep Roll Out Trays, Base with Pot & Pan Organizer and Peninsula Base cabinets.

Notes:

- May be combined with all construction options excluding Cabinet Front Only and Inverted Frame.
- This option removes the drawer body and glide system and replaces it with a false panel on any top drawer(s).
- On cabinets with multiple top drawers, all top drawers will be voided.
- When used with a drop-in appliance, there is a height clearance of 7 5/8" from the top of the cabinet to the top of the door/drawer opening below the voided drawer.
- Subtract 1 1/2" from width and depth for available top opening - removal of corner blocks may be required.
- Removal of the top rail is not recommended.
- Refer to appliance manufacturer's specifications for adequate clearances and required installation materials.



Void Door Option

VDO

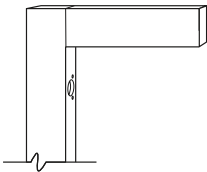
The Void Door Option is available for most wall cabinets. All void door cabinets ship without doors or hinges – center stiles and adjustable shelves will remain. Cabinet frames are pre-drilled for door hinges. All void door wall top hinge cabinets ship without door, lid stays and hinges.

Refer to the descriptions below to select the correct option for your layout:

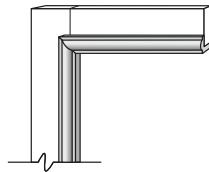
- VDO-DFH (Drilled For Hinges)
- VDO-SBAM (Single Bead Accent Molding)
- VDO-SAM (Shaker Accent Molding)

Notes:

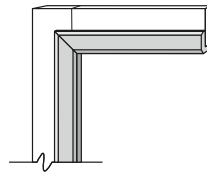
- May be combined with all construction options excluding Cabinet Front Only.
- Can be used to create decorative open cabinets.
- Decorative Accent Moldings will conceal hinge holes.
- Molding is to be cut and field installed at the job site.
- When matching interior is desired, the Matching Interior Option must be selected.



VDO-DFH
Drilled For Hinges



VDO-SBAM
Single Bead Accent
Molding



VDO-SAM
Shaker Accent
Molding

Reduced Depth Option

RD

The Reduced Depth Option should be used when ordering less than standard depth cabinets. The Reduced Depth Option is available in 1" increments; minimum depth is 4". Vanity and Desk cabinets will reduce to standard Reduced Depth increments (i.e. Vanity cabinets with RD-20 will measure 20" in depth).

Orders specifying Reduced Depth Option must show the total cabinet depth.

Example: Cabinet: B24

Option: RD-17 (reduced to 17" deep)

Notes:

- There is a potential tipping hazard for Reduced Depth Cabinets until they are mounted to a wall.
- Peninsula Base cabinets reduced to 11" or less will not have an inset toe kick.
- Adjustable shelves are reduced in 1" increments to match Reduced Depth Option selected on cabinet(s).
- Adding the Reduced Depth Option does not remove adjustable shelves (where applicable).
- May be combined with all construction options excluding Increased Depth, Cabinet Front Only or Recessed Toe Kick when cabinets are reduced to 8" or less.
- All cabinets reduced to 5" or less will not have an inset toe kick.
- Reduced depth restrictions:
 - » Cabinets that include Deep Roll Out Trays (DROT) are only available with RD-23 through RD-12.
 - » 24" Deep Wall Top Hinge cabinets are only available with RD-23 through RD-8.
 - » 12" Deep Wall Top Hinge cabinets are only available with RD-11 through RD-8.
 - » Base End Angle (BEA12 FH) cabinets are only available with RD-23 through RD-18.
 - » Kneehole Drawer cabinets are only available with RD-20 through RD-12.
 - » Two Drawer Base cabinets are only available with RD-23 through RD-21.
 - » 24" Deep Furniture Drawer cabinets are only available with RD-23 through RD-13.
- When ordering reduced depth accessories, specify the depth of the cabinet for which the accessory is intended (e.g., SK3624 RD-21 would be ordered for a UT3624 X 84 RD-21).

Reduced Depth	Drawer Depth Base & 24" Deep Desk Cabinets	Drawer Depth Vanity & 21" Deep Desk Cabinets	Deep Roll Out Tray Depth
RD-23	18"	—	18"
RD-22	18"	—	18"
RD-21	18"	—	18"
RD-20	15"	15"	15"
RD-19	15"	15"	15"
RD-18	15"	15"	15"
RD-17	12"	12"	12"
RD-16	12"	12"	12"
RD-15	12"	12"	12"
RD-14	9 ⁷ / ₁₆ "	9 ⁷ / ₁₆ "	9"
RD-13	9 ⁷ / ₁₆ "	9 ⁷ / ₁₆ "	9"
RD-12	9 ⁷ / ₁₆ "	9 ⁷ / ₁₆ "	9"
RD-11 to RD-4	No Drawer	No Drawer	Not Available

Increased Depth Option

ID

The Increased Depth Option is available for most Wall cabinets up to 36" wide and all Bookshelves. The Increased Depth Option is available in 1" increments; maximum depth is 24".

Orders specifying Increased Depth Option must show the total cabinet depth.

Example: Cabinet: W1530

Option: ID-14 (increased to 14" deep)

Notes:

- May be combined with all construction options excluding Reduced Depth and Cabinet Front Only.
- Adjustable shelves are increased in 1" increments to match Increased Depth Option selected on cabinets.
- Wall cabinets and bookshelves increased up to and including 18" deep can be mounted using standard installation procedures.
- Wall cabinets and bookshelves increased to 19" deep and over must be stacked, floor mounted or installed over a refrigerator.
- All Increased Depth cabinets must be securely attached in one of the following combinations: to studs in back wall and both sides OR to studs in back wall, one side and top (e.g., two adjacent cabinets or one adjacent cabinet and a wall).

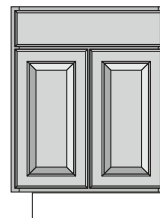
Recessed Toe Kick Option

RTK

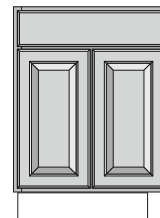
The Recessed Toe Kick Option is available on most Base, Desk and Vanity base cabinetry. When the Recessed Toe Kick Option is selected, left, right or both must be specified.

Notes:

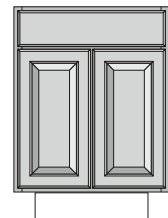
- May be combined with all construction options excluding Accessible Height, Cabinet Front Only or the Reduced Depth Option when cabinets are reduced to 8" or less.
- Recommended for cabinets at the end of a run, especially in island and peninsula designs.
- Recessed side(s) are constructed of ½" thick unfinished plywood and are recessed 3½" to match front of cabinet.
- Recessed Toe Kick box is not flush on non-recessed side and back.
- Blind Corner Base cabinets (BLB_) are only available with the Recessed Toe Kick Both Option (RTKB).
- Base End Angle, Base Pantry Pull Out (BPP9), Base Pantry Pull Out Utensil Storage (BPPUS9), Base Tray Divider Pull Out, (BTDP9) Tray Base (TB9) and (TB9 TDS), Base cabinets are not available with the Recessed Toe Kick Both Option (RTKB).
- Not available for Peninsula Base cabinets with the Reduced Depth Option of RD-11 and lower.
- For Peninsula Base cabinets, the working drawer side indicates the front of the cabinet in order to correctly select Recessed Toe Kick Right (RTKR) or Left (RTKL).
- Peninsula Base cabinets ordered with Recessed Toe Kick Option must be secured to the floor through the cabinet bottom into bracing secured to the floor.
- Base Toe Kick (BTK8) required for front and any exposed side(s).



RTKL



RTKR



RTKB

CushionClose Package

The CushionClose package includes CushionClose for Drawers (including full-height pull outs), CushionClose for Doors and CushionClose for Roll Out Accessories and is pre-selected in 2020.

Notes:

- CushionClose for Drawers and CushionClose for Roll Out Accessories provide all of the features and benefits of the standard Full-Access Hidden Glides System with the addition of an integrated slow-close mechanism that reduces slamming and noise.
- CushionClose for Doors features a slow closing mechanism that helps reduce slams and noise.
- Decorative hardware strongly recommended.
- CushionClose is not available for BER_, BFP_, BR2B15, BSDC6, BSS_, CAR_, MC_, TV_30, WBU15 and WER_.

Remove CushionClose for Doors

XCD0

The Remove CushionClose for Doors option is available for most cabinets with a door.

Notes:

- This option removes CushionClose for Doors.
- CushionClose cannot be removed from Adaptable Sink Base Kit.

Remove CushionClose for Drawers

XCDW

The Remove CushionClose for Drawers option is available for all cabinets with a drawer.

Notes:

- Removes CushionClose for Drawers and replaces glides with Full-Access Hidden Glides.
- Glides on the wastebasket pull out will be replaced with heavy-duty non-CushionClose glides.
- CushionClose cannot be removed from 2 Drawer Base cabinets.

Remove CushionClose Roll Out Accessories

XCRO

The Remove CushionClose for Roll Out Accessories option is available for most roll out accessories or cabinets with roll out accessories.

Notes:

- This option removes CushionClose from Roll Out Accessories and replaces glides with side-mounted glides.

Furniture Ends Option

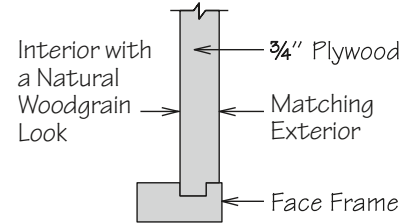
FE

Furniture Ends Option includes:

- ¾" plywood cabinet sides

Notes:

- Exterior sides feature plywood finished to match specific cabinet box exterior.
- Plywood will be visible from top and bottom of side panels.
- All door styles feature standard interior sides with a natural woodgrain look and matching exterior sides.
- Available on individual cabinets except Base End Angle (BEA24 FH) and Wall End Angle (WEA12) cabinets.
- Both side panels convert to ¾" plywood sides except Base End Angle (BEA12 FH) cabinet which converts the 12" side panel only.
- May be combined with all construction options excluding Cabinet Front Only and Plywood Ends.
- End panels are not required for installation of Decorator Matching Doors or the exposed ends of cabinets with the Furniture Ends Option.
- Cabinet Angle Molding (CAM8) cannot be used with cabinets with the Furniture Ends Option.
- Sink Front Return (SFR R/L) with the Furniture Ends Option will include a rabbeted front edge.
- A seam will be visible between stacked cabinets and on 93" and 96" Tall cabinets between the toe kick box and the cabinet. Use decorative molding to conceal this seam.
 - » Use decorative molding (e.g., Batten Molding or Ogee Pilaster Molding).
 - » Use a Column Filler or Wood Tall End Panel.
- Plywood can consist of a combination of veneer and MDF layers to achieve superior product stability and finish quality. Plywood components meet the ANSI/HPVA hardwood and decorative plywood standards (www.decorativehardwoodsassociation.org).



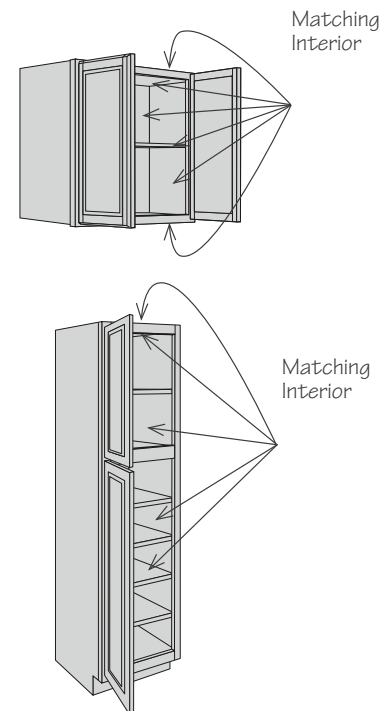
Matching Interior Option

MI

The Matching Interior Cabinet Option is available for Wall cabinets (with exceptions noted below), Utility cabinets, Vanity Linen cabinets and Refrigerator Return Panels. This option matches the cabinet's interior, top and bottom to that of the cabinet box exterior. For textured-wrapped Duraform, refer to door style page for box finish.

Notes:

- May be combined with all construction options excluding Cabinet Front Only.
- Not available for wall cabinets with a standard matching interior (including all Specialty Door cabinets).
- All Plywood Construction Option (APC), Furniture End Option (FE), or Plywood End Option (PE) is recommended when Matching Interior (MI) is selected.
- Standard construction cabinetry with the Matching Interior Option features two-sided engineered wood side panels finished to match cabinet box exterior.
- Cabinetry with the All Plywood Construction Option (APC), Furniture Ends Option (FE) or Plywood Ends Option (PE) features plywood side panels finished to match cabinet box exterior.
- Matching Interior cabinetry with the All Plywood Construction Option features ¾" plywood shelves finished to match cabinet box exterior.
- Recommended for cabinets with the Void Door Option (VDO).
- All finished surfaces of the Wall, Utility and Vanity Linen cabinets will be color matched including shelves, back, interior and exterior of returns, top and bottom.
- Interior accessories in Matching Interior cabinets (i.e., Spice Rack Kit, Deep Roll Out Trays, Pantry Swing Out Kit) will remain natural finish.
- When Matching Interior (MI) is ordered for Breeze and Drift finishes, cabinet interior will match cabinet box exterior.



Specialty Door cabinets are available for most Wall, Utility and Vanity Linen cabinet sizes. All Specialty Door cabinets include Matching Interior as standard and require one of the specialty door options below. Specialty Door options for Utility and Vanity Linen cabinets apply to top door(s) only.

Open Frame Door (OFD) notes:

- Features door frame only with no mullions or center panel.
- Decorative Glass Inserts and appropriate glass clips are shipped separately from the cabinet for field installation - see pages 50-51 for available Glass Inserts.
- See page 47 for door style profiles.

Mullion Frame Door (MFD) notes:

- Features grid-style mullions.
- Not available for Wall Top Hinge cabinets.
- Decorative Glass Inserts and appropriate glass clips are shipped separately from the cabinet for field installation - see pages 50-51 for available Glass Inserts.
- See pages 48-49 for door style profiles.

Specialty Door Availability by Size

Door Width	Cabinet Door Height									
	12" High Wall	15" High Wall	18" High Wall	21" High Wall	24" High Wall	27" High Wall	30" High Wall	36" High Wall	39" High Wall	42" High Wall
12" Wide			●		●		●	●	●	●
13" Wide			●		●		●	●	●	●
15" Wide	●	●	●	●	●	●	●	●	●	●
16" Wide	●	●	●	●	●		●	●	●	●
18" Wide	●	●	●	●	●		●	●	●	●
19" Wide	●	●	●	●	●		●	●		●
21" Wide			●		●		●	●	●	●
30" Wide		■	■							
36" Wide		■	■							

- Available with all Specialty Door Options
- Wall Top Hinge cabinets only - not available with MFD

Specialty Door Availability by Door Style

Door Style	OFD	MFD
Breckenridge	●	
Breckenridge w/ DFO	●	
Cardiff	●	
Cottage	●	
Edgeworth	●	●
Edgeworth w/ DFO	●	●
Glasson	●	
Glasson w/ DFO	●	
Irvington	●	●
Irvington Duraform	●	
Irvington Duraform w/ DFO	●	
Irvington w/ DFO	●	●
McKinley	●	●
Mission	●	
Mission w/ DFO	●	
Stemson	●	●
Stemson w/ DFO	●	●
Sydney	●	
Warren	●	
Warren w/ DFO	●	

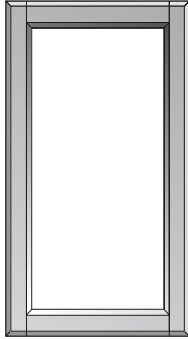
Open Frame Specialty Doors

OFD

CONSTRUCTION OPTIONS

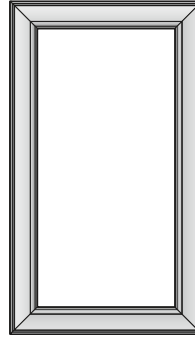
Profile for:

- Edgeworth
- Edgeworth w/ DFO



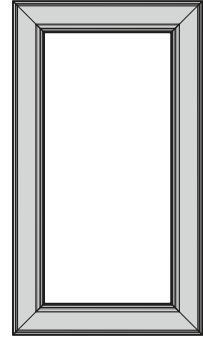
Profile for:

- Cardiff



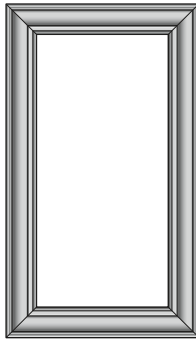
Profile for:

- Irvington
- Irvington w/ DFO



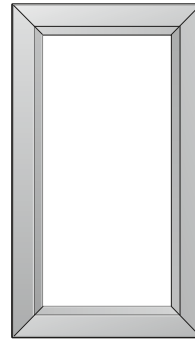
Profile for:

- McKinley



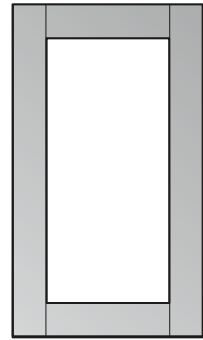
Profile for:

- Warren
- Warren w/ DFO



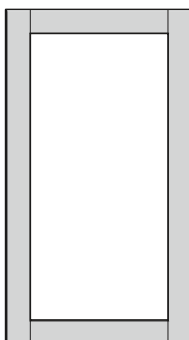
Profile for:

- Mission
- Mission w/ DFO
- Sydney



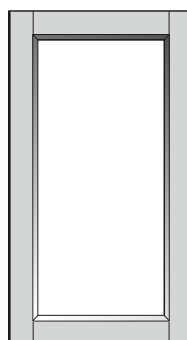
Profile for:

- Breckenridge
- Breckenridge w/ DFO
- Cottage



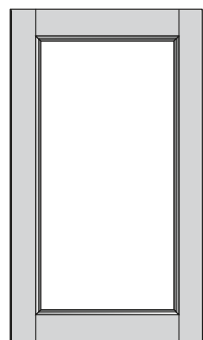
Profile for:

- Stenson
- **Stenson w/ DFO**



Profile for:

- Glasson
- Glasson w/ DFO

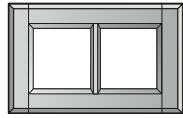


Mullion Frame Specialty Doors

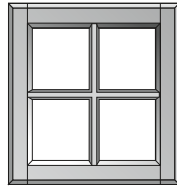
MFD

Profile for:

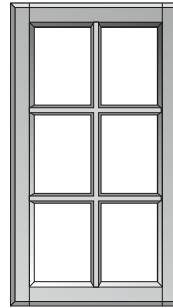
- Edgeworth
- Edgeworth w/ DFO



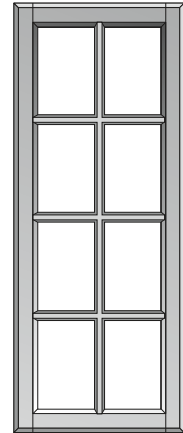
12" High Wall Cabinet



15", 18", 21", 24" or 27" High Wall Cabinet



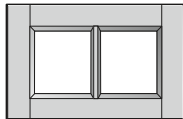
30" or 36" High Wall Cabinet
84" or 90" High Utility Cabinet
84" High Vanity Linen Cabinet



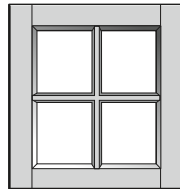
39" or 42" High Wall Cabinet
93" or 96" High Utility Cabinet

Profile for:

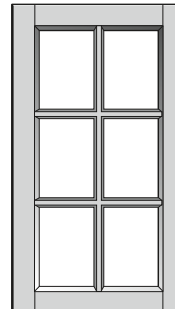
- Stemson
- Stemson w/ DFO



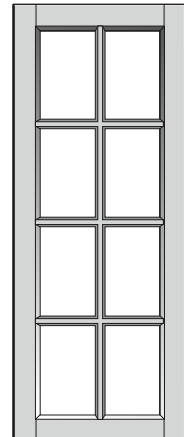
12" High Wall Cabinet



15", 18", 21", 24" or 27" High Wall Cabinet



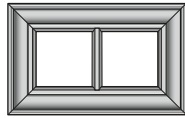
30" or 36" High Wall Cabinet
84" or 90" High Utility Cabinet
84" High Vanity Linen Cabinet



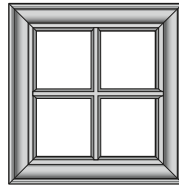
39" or 42" High Wall Cabinet
93" or 96" High Utility Cabinet

Profile for:

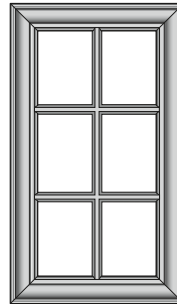
- McKinley



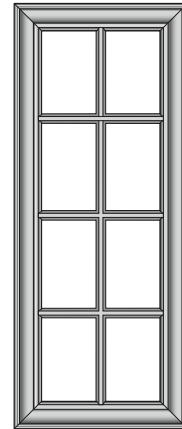
12" High Wall Cabinet



15", 18", 21", 24" or 27"
High Wall Cabinet



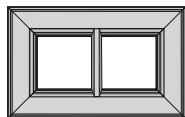
30" or 36" High Wall Cabinet
84" or 90" High Utility Cabinet
84" High Vanity Linen Cabinet



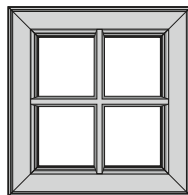
39" or 42" High Wall Cabinet
93" or 96" High Utility Cabinet

Profile for:

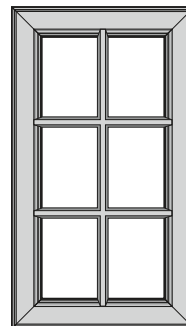
- Irvington*
- Irvington w/ DFO*



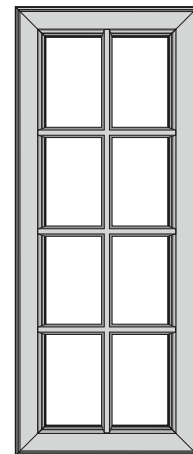
12" High Wall Cabinet



15", 18", 21", 24" or 27"
High Wall Cabinet



30" or 36" High Wall Cabinet
84" or 90" High Utility Cabinet
84" High Vanity Linen Cabinet



39" or 42" High Wall Cabinet
93" or 96" High Utility Cabinet

*Not available for Duraform

Clear Glass



MFD
OFD

- 1/8" thick panel
- Clear glass
- Tempered safety glass
- Includes appropriate Decorative Glass Clips
- Order as DGI-__CLEAR, refer to Parts Directory for nomenclature and dimensions

Derbyshire Seeded Glass



MFD
OFD

- 5/16" thick panel
- Clear seeded glass
- Laminated safety glass
- Includes appropriate Decorative Glass Clips
- Order as DGI-__DERBYSHIRE, refer to Parts Directory for nomenclature and dimensions

Frosted Glass



MFD
OFD

- 1/8" thick panel
- Frosted glass with etched finish
- Tempered safety glass
- Includes appropriate Decorative Glass Clips
- Order as DGI-__FROSTED, refer to Parts Directory for nomenclature and dimensions

Frosted Ash Glass



MFD
OFD

- 1/8" thick panel
- Gray tinted glass
- Tint is manufactured in material - not a film
- Tempered safety glass
- Includes appropriate Decorative Glass Clips
- Order as DGI-__FROSTED ASH, refer to Parts Directory for nomenclature and dimensions

Impression Glass



MFD
OFD

- 1/8" thick panel
- Sculptural glass
- Tempered safety glass
- Includes appropriate Decorative Glass Clips
- Order as DGI-__IMPRESSION, refer to Parts Directory for nomenclature and dimensions

Meredith Glass



MFD
OFD

- 1/4" overall thickness (1/8" beveled edge thickness)
- Clear glass design with 1 1/4" wide beveled edges
- Tempered safety glass
- Includes appropriate Decorative Glass Clips
- Order as DGI-__MEREDITH, refer to Parts Directory for nomenclature and dimensions

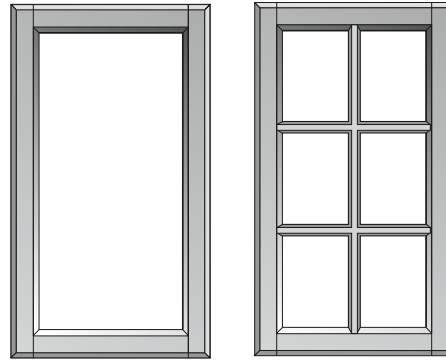
Ribbed Glass



MFD
OFD

- 1/8" thick panel
- Clear ribbed glass
- Tempered safety glass
- Includes appropriate Decorative Glass Clips
- Not available for Wall Top Hinge cabinets
- Order as DGI-__RIBBED, refer to Parts Directory for nomenclature and dimensions

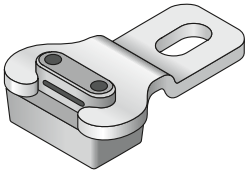
Prepped for Glass



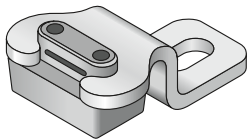
MFD
OFD

- For customer installed inserts up to 5/16" thick
- Refer to pages 47-49 for door style specific profile
- Decorative Glass Clips not included - order separately

Decorative Glass Clips



CLIP DGI 1/8



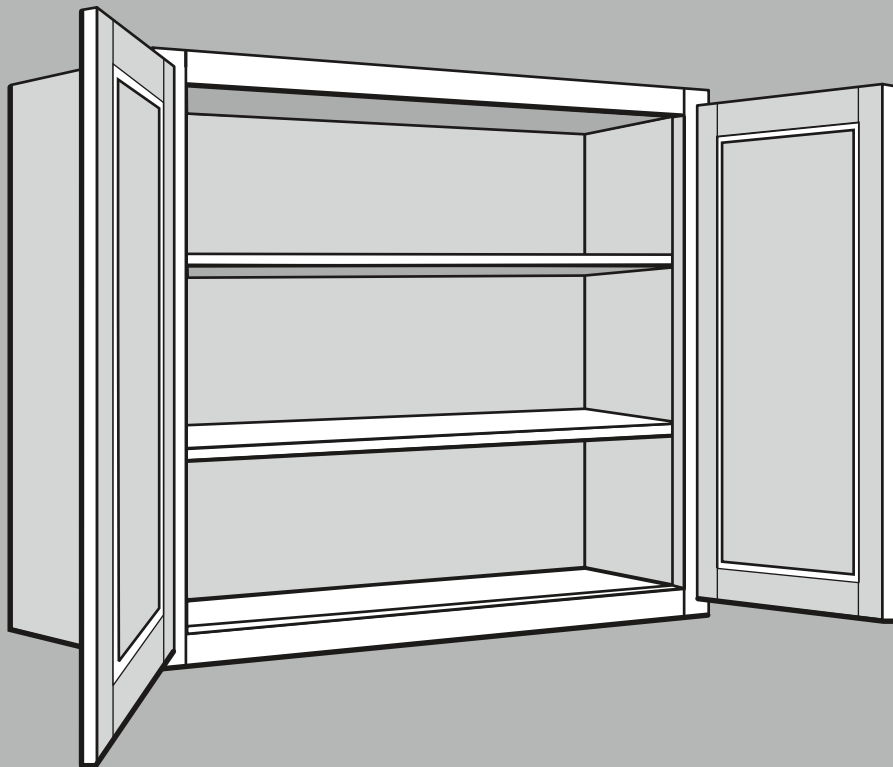
CLIP DGI 5/16

- For installation of Decorative Glass Inserts
- Order one bag (six clips) per door
- See chart for correct glass pairing

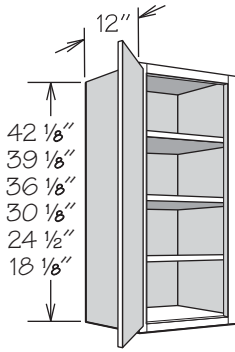
Glass Insert	CLIP DGI 1/8	CLIP DGI 5/16
Clear	•	
Derbyshire		•
Frosted	•	
Frosted Ash	•	
Impression	•	
Meredith	•	
Ribbed	•	

CLIP DGI 1/8
CLIP DGI 5/16

Wall Cabinets



Wall Cabinets - 1 Door



42" High Shown

- Specialty Door cabinets (SD) feature Matching Interior standard and require a specialty door selection
- Must be ordered as hinged left or right
- 18" high wall cabinets are not drilled for adjustable shelf

APC
CFO
FE
ID
MI ■
PE
RD
VDO ■

12" DEEP

42"H - 3 Shelves

W942 ■
W1242 ■
W1542 ■
W1842 ■
W2142 ■
W1242 SD
W1542 SD
W1842 SD
W2142 SD

39"H - 3 Shelves

W939 ■
W1239 ■
W1539 ■
W1839 ■
W2139 ■
W1239 SD
W1539 SD
W1839 SD
W2139 SD

36"H - 2 Shelves

W936 ■
W1236 ■
W1536 ■
W1836 ■
W2136 ■
W1236 SD
W1536 SD
W1836 SD
W2136 SD

30"H - 2 Shelves

W930 ■
W1230 ■
W1530 ■
W1830 ■
W2130 ■
W2430 ■
W1230 SD
W1530 SD
W1830 SD
W2130 SD

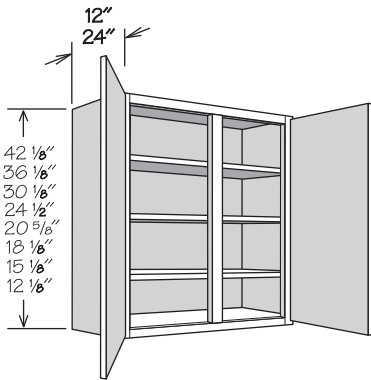
24"H - 1 Shelf

W1224 ■
W1524 ■
W1824 ■
W2124 ■
W1224 SD
W1524 SD
W1824 SD
W2124 SD

18"H - No Shelf

W1218 ■
W1518 ■
W1818 ■
W2118 ■
W1218 SD
W1518 SD
W1818 SD
W2118 SD

Wall Cabinets - 2 Doors



42" High Shown

- Specialty Door cabinets (SD) feature Matching Interior standard and require a specialty door selection
- 24" deep cabinets must be installed by:
 - » Securely attaching to studs in back wall and both sides or to studs in back wall, one side and top (e.g. two adjacent cabinets or one adjacent cabinet and a wall)
 - » And must be either stacked, floor mounted or installed over a refrigerator
- 21", 18", 15" and 12" high wall cabinets are not drilled for adjustable shelf
- Center shelf support provided (where applicable)

APC
CFO
FE
MI ■
PE
CFO
VDO ■

12" DEEP

42"H - 3 Shelves

W3942 ■
W4242 ■
W3942 SD
W4242 SD

30"H - 2 Shelves

W3930 ■
W4230 ■
W3930 SD
W4230 SD

21"H - No Shelf

W3921 ■
W3921 SD

15"H - No Shelf

W3915 ■
W3915 SD

36"H - 3 Shelves

W3936 ■
W4236 ■
W3936 SD
W4236 SD

24"H - 1 Shelf

W3924 ■
W4224 ■
W3924 SD
W4224 SD

18"H - No Shelf

W3918 ■
W4218 ■
W3918 SD
W4218 SD

12"H - No Shelf

W3912 ■
W3912 SD

24" DEEP

24"H - 1 Shelf

W3924 x 24 DP ■
W3924 X 24 DP SD

21"H - No Shelf

W3921 X 24 DP ■
W3921 X 24 DP SD

18"H - No Shelf

W3918 X 24 DP ■
W3918 X 24 DP SD

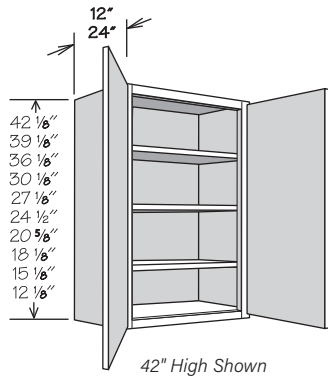
15"H - No Shelf

W3915 X 24 DP ■
W3915 X 24 DP SD

12"H - No Shelf

W3912 X 24 DP ■
W4212 X 24 DP ■
W3912 X 24 DP SD

Wall Cabinets - 2 Butt Doors



42" High Shown

- Specialty Door cabinets (SD) feature Matching Interior standard and require a specialty door selection
- 24" deep cabinets must be installed by:
 - Securely attaching to studs in back wall and both sides or to studs in back wall, one side and top (e.g. two adjacent cabinets or one adjacent cabinet and a wall)
 - And must be either stacked, floor mounted or installed over a refrigerator
- 21", 18", 15" and 12" high wall cabinets are not drilled for adjustable shelf
- Center shelf support provided for cabinets 30" or wider (where applicable)

APC
CFO
FE
ID ◆
MI ■
PE
RD
VDO ■

12" DEEP

42"H - 3 Shelves

W2442 BUTT ◆◆
 W2742 BUTT ◆◆
 W3042 BUTT ◆◆
 W3342 BUTT ◆◆
 W3642 BUTT ◆◆
 W2442 BUTT SD ◆
 W2742 BUTT SD ◆
 W3042 BUTT SD ◆
 W3342 BUTT SD ◆
 W3642 BUTT SD ◆

39"H - 3 Shelves

W2439 BUTT ◆◆
 W2739 BUTT ◆◆
 W3039 BUTT ◆◆
 W3339 BUTT ◆◆
 W3639 BUTT ◆◆
 W2439 BUTT SD ◆
 W2739 BUTT SD ◆
 W3039 BUTT SD ◆
 W3339 BUTT SD ◆
 W3639 BUTT SD ◆

36"H - 2 Shelves

W2436 BUTT ◆◆
 W2736 BUTT ◆◆
 W3036 BUTT ◆◆
 W3336 BUTT ◆◆
 W3636 BUTT ◆◆
 W2436 BUTT SD ◆
 W2736 BUTT SD ◆
 W3036 BUTT SD ◆
 W3336 BUTT SD ◆
 W3636 BUTT SD ◆

30"H - 2 Shelves

W2430 BUTT ◆◆
 W2730 BUTT ◆◆
 W3030 BUTT ◆◆
 W3330 BUTT ◆◆
 W3630 BUTT ◆◆
 W2430 BUTT SD ◆
 W2730 BUTT SD ◆
 W3030 BUTT SD ◆
 W3330 BUTT SD ◆
 W3630 BUTT SD ◆

27"H - 1 Shelf

W3027 BUTT ◆◆
 W3027 BUTT SD ◆

24"H - 1 Shelf

W2424 BUTT ◆◆
 W2724 BUTT ◆◆
 W3024 BUTT ◆◆
 W3324 BUTT ◆◆
 W3624 BUTT ◆◆
 W2424 BUTT SD ◆
 W2724 BUTT SD ◆
 W3024 BUTT SD ◆
 W3324 BUTT SD ◆
 W3624 BUTT SD ◆

21"H - No Shelf

W3021 BUTT ◆◆
 W3321 BUTT ◆◆
 W3621 BUTT ◆◆
 W3021 BUTT SD ◆
 W3321 BUTT SD ◆
 W3621 BUTT SD ◆

18"H - No Shelf

W2418 BUTT ◆◆
 W2718 BUTT ◆◆
 W3018 BUTT ◆◆
 W3318 BUTT ◆◆
 W3618 BUTT ◆◆
 W2418 BUTT SD ◆
 W2718 BUTT SD ◆
 W3018 BUTT SD ◆
 W3318 BUTT SD ◆
 W3618 BUTT SD ◆

15"H - No Shelf

W3015 BUTT ◆◆
 W3315 BUTT ◆◆
 W3615 BUTT ◆◆
 W3015 BUTT SD ◆
 W3315 BUTT SD ◆
 W3615 BUTT SD ◆

12"H - No Shelf

W3012 BUTT ◆◆
 W3312 BUTT ◆◆
 W3612 BUTT ◆◆
 W3012 BUTT SD ◆
 W3312 BUTT SD ◆
 W3612 BUTT SD ◆

24" DEEP

27"H - 1 Shelf

W3027 X 24 DP BUTT ■
 W3027 X 24 DP BUTT SD

24"H - 1 Shelf

W3024 X 24 DP BUTT ■
 W3324 X 24 DP BUTT ■
 W3624 X 24 DP BUTT ■
 W3024 X 24 DP BUTT SD
 W3324 X 24 DP BUTT SD
 W3624 X 24 DP BUTT SD

21"H - No Shelf

W3021 X 24 DP BUTT ■
 W3321 X 24 DP BUTT ■
 W3621 X 24 DP BUTT ■

W3021 X 24 DP BUTT SD
 W3321 X 24 DP BUTT SD
 W3621 X 24 DP BUTT SD

18"H - No Shelf

W3018 X 24 DP BUTT ■
 W3318 X 24 DP BUTT ■
 W3618 X 24 DP BUTT ■

W3018 X 24 DP BUTT SD
 W3318 X 24 DP BUTT SD
 W3618 X 24 DP BUTT SD

15"H - No Shelf

W3015 X 24 DP BUTT ■
 W3315 X 24 DP BUTT ■
 W3615 X 24 DP BUTT ■

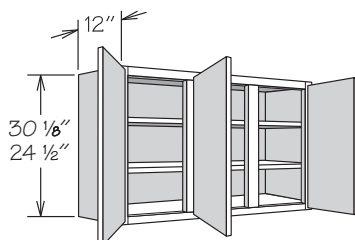
W3015 X 24 DP BUTT SD
 W3315 X 24 DP BUTT SD
 W3615 X 24 DP BUTT SD

12"H - No Shelf

W3012 X 24 DP BUTT ■
 W3312 X 24 DP BUTT ■
 W3612 X 24 DP BUTT ■

W3012 X 24 DP BUTT SD
 W3312 X 24 DP BUTT SD
 W3612 X 24 DP BUTT SD

Wall Cabinets - 3 Doors



- Hinged as shown
- Center shelf support provided

APC
CFO
FE
MI ■
PE
RD
VDO ■

3 DOORS

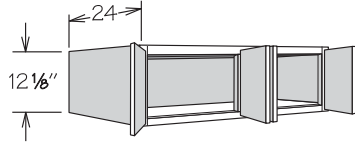
30"H - 2 Shelves

W4530 ■
 W4530 SD

24"H - 1 Shelf

W4524 ■
 W4524 SD

Wall Cabinets - 4 Doors



- Two sets of BUTT doors
- Cabinet must be installed by:
 - » Securely attaching to studs in back wall and both sides or to studs in back wall, one side and top (e.g. two adjacent cabinets or one adjacent cabinet and a wall)
 - » And must be either stacked, floor mounted or installed over a refrigerator

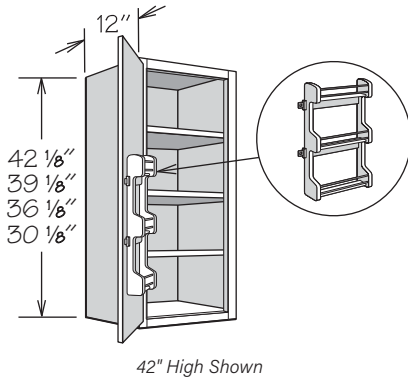
APC
CFO
FE
MI
PE
RD
VDO

4 BUTT DOORS

12" H - No Shelves

W4812 X 24 DP BUTT

Wall Cabinet with Spice Rack - 1 Door



- Spice Rack Kit packaged separately for field installation
- Position adjustable shelves prior to installation
- Kit in natural finish solid wood features chrome rails and three fixed shelves
- Must be ordered as hinged left or right

APC
FE
ID
MI
PE

12" DEEP

42"H - 3 Shelves

W1542 SR
W1842 SR
W2142 SR

36"H - 2 Shelves

W1536 SR
W1836 SR
W2136 SR

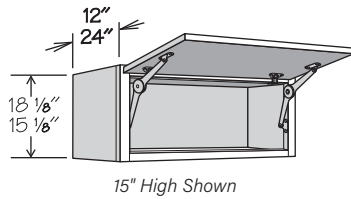
39"H - 3 Shelves

W1539 SR
W1839 SR
W2139 SR

30"H - 2 Shelves

W1530 SR
W1830 SR
W2130 SR

Wall Top Hinge - 1 Door



- Features one pair of factory installed, field adjustable lid stays that supports door securely at any angle up to 105°
- Cabinet can be flipped to open downwards and lid stay can be adjusted to support door
- Door rail and stile configuration and insert panel grain direction will differ from standard wall cabinets, except for Sydney in Breeze and Drift finishes
- Sydney in Breeze and Drift finishes features a door with vertical grain direction to match standard wall cabinets
- Not available for the Cottage door style
- Specialty Door cabinets (SD) feature Matching Interior standard and require a specialty door selection
- 24" deep cabinets must be installed by:
 - » Securely attaching to studs in back wall and both sides or to studs in back wall, one side and top (e.g. two adjacent cabinets or one adjacent cabinet and a wall)
 - » And must be either stacked, floor mounted or installed over a refrigerator

APC
FE
ID ◆
MI ■
PE
RD
VDO ■

12" DEEP

18"H - No Shelf

WTH3018 ■ ◆
WTH3618 ■ ◆
WTH3018 SD ◆
WTH3618 SD ◆

15"H - No Shelf

WTH3015 ■ ◆
WTH3615 ■ ◆
WTH3015 SD ◆
WTH3615 SD ◆

24" DEEP

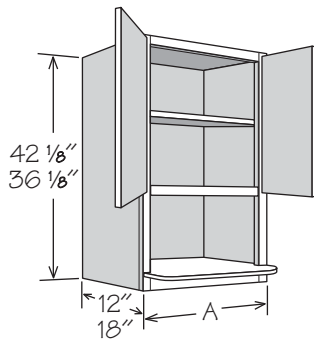
18"H - No Shelf

WTH3018 X 24 DP ■
WTH3618 X 24 DP ■
WTH3018 X 24 DP SD
WTH3618 X 24 DP SD

15"H - No Shelf

WTH3015 X 24 DP ■
WTH3615 X 24 DP ■
WTH3015 X 24 DP SD
WTH3615 X 24 DP SD

Wall Microwave Cabinets - 2 Butt Doors



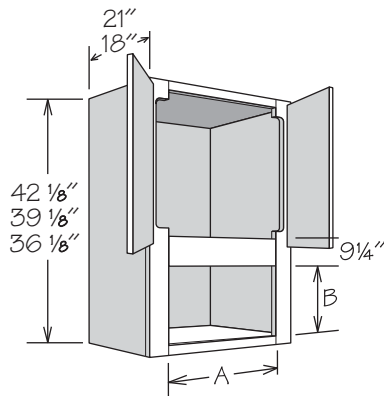
42" High Shown

- Must be installed between two adjacent cabinets or a cabinet and a wall
- Cabinet interior and microwave shelf is finished to match cabinet box exterior
- 3/4" plywood microwave shelf included
- Designed to accommodate countertop style microwave
- Refer to appliance manufacturer's specifications for adequate clearances
- 36" high not drilled for adjustable shelf

APC
FE
PE
RD
VDO

12" DEEP	A	LOWER FRAME OPENING		
		WIDTH	HEIGHT	DEPTH
36"H - No Shelf				
WMSC271236 BUTT	27"	23 3/4"	18 5/8"	17 3/4"
WMSC301236 BUTT	30"	26 3/4"	18 5/8"	17 3/4"
WCMSC241236 BUTT	24"	20 3/4"	15 5/8"	17 3/4"
WCMSC271236 BUTT	27"	23 3/4"	15 5/8"	17 3/4"
18" DEEP				
42"H - 1 Shelf				
WMSC271842 BUTT	27"	23 3/4"	15 1/4"	23 3/4"
36"H - No Shelf				
WMSC271836 BUTT	27"	23 3/4"	18 5/8"	23 3/4"

Microwave Wall Cabinets - 2 Butt Doors



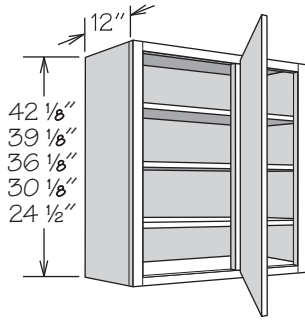
42" High Shown

- Must be installed between two cabinets or a cabinet and a wall
- Designed to accommodate microwaves with trim kit
- A cutout exists in the door area where the 3/8" stiles are routed to 1 5/8"
- Refer to appliance manufacturers specifications for adequate clearances
- Not drilled for adjustable shelf

APC
FE
ID
MI
PE
RD

18" DEEP	A		B		B MAX. (POL)
	ACTUAL	MAX.	ACTUAL	MAX. (FOL)	
42"H - No Shelf					
WMC301842 BUTT	23 3/4"	28"	12 1/4"	19 1/2"	20"
39"H - No Shelf					
WMC271839 BUTT	20 3/4"	25"	11 3/4"	19 1/2"	20"
WMC301839 BUTT	23 3/4"	28"	11 3/4"	19 1/2"	20"
36"H - No Shelf					
WMC271836 BUTT	20 3/4"	25"	11 3/4"	19 1/2"	20"
WMC301836 BUTT	23 3/4"	28"	11 3/4"	19 1/2"	20"
21" DEEP					
42"H - No Shelf					
WMC302142 BUTT	23 3/4"	28"	12 1/4"	19 1/2"	20"
39"H - No Shelf					
WMC272139 BUTT	20 3/4"	25"	11 3/4"	19 1/2"	20"
WMC302139 BUTT	23 3/4"	28"	11 3/4"	19 1/2"	20"
36"H - No Shelf					
WMC272136 BUTT	20 3/4"	25"	11 3/4"	19 1/2"	20"
WMC302136 BUTT	23 3/4"	28"	11 3/4"	19 1/2"	20"

Blind Wall Cabinet - 1 Door



42" High Shown

- Cabinet shown as right indicating blind opening is on the right side of cabinet (must be ordered as left or right)
- Includes 1/8" panel to cover blind opening (field trim and install)
- Refer to Blind Wall Cabinet Installation Chart for specifications
- Must order Universal Filler separately
- Specialty Door cabinets (SD) feature Matching Interior standard and require a specialty door selection
- Center shelf support provided for cabinets 30" or wider

APC
CFO
FE
ID
MI ■
PE
RD
VDO ■

12" DEEP

42"H - 3 Shelves

BLW24/2742 ■
 BLW30/3342 ■
 BLW33/3642 ■
 BLW24/2742 SD
 BLW30/3342 SD
 BLW33/3642 SD

39"H - 3 Shelves

BLW24/2739 ■
 BLW30/3339 ■
 BLW33/3639 ■
 BLW24/2739 SD
 BLW30/3339 SD
 BLW33/3639 SD

36"H - 2 Shelves

BLW24/2736 ■
 BLW30/3336 ■
 BLW33/3636 ■
 BLW24/2736 SD
 BLW30/3336 SD
 BLW33/3636 SD

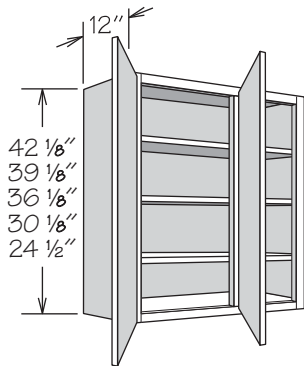
30"H - 2 Shelves

BLW24/2730 ■
 BLW27/3030 ■
 BLW30/3330 ■
 BLW33/3630 ■
 BLW36/3930 ■
 BLW24/2730 SD
 BLW27/3030 SD
 BLW30/3330 SD
 BLW33/3630 SD

24"H - 1 Shelf

BLW24/2724 ■
 BLW27/3024 ■
 BLW30/3324 ■
 BLW33/3624 ■
 BLW24/2724 SD
 BLW27/3024 SD
 BLW30/3324 SD
 BLW33/3624 SD

Blind Wall Cabinet - 2 Butt Doors



42" High Shown

- Cabinet shown as right indicating blind opening is on the right side of cabinet (can be reversed in the field)
- Includes 1/8" panel to cover blind opening (field trim and install)
- Refer to Blind Wall Cabinet Installation Chart for specifications
- Must order Universal Filler separately
- Specialty Door cabinets (SD) feature Matching Interior standard and require a specialty door selection
- Center shelf support provided

APC
CFO
FE
ID ◆
MI ■
PE
RD
VDO ■

12" DEEP

42"H - 3 Shelves

BLW36/3942 BUTT ■ ◆
 BLW39/4242 BUTT ■
 BLW42/4542 BUTT ■
 BLW36/3942 BUTT SD ◆
 BLW39/4242 BUTT SD
 BLW42/4542 BUTT SD

39"H - 3 Shelves

BLW36/3939 BUTT ■ ◆
 BLW39/4239 BUTT ■
 BLW42/4539 BUTT ■
 BLW36/3939 BUTT SD ◆
 BLW39/4239 BUTT SD
 BLW42/4539 BUTT SD

36"H - 2 Shelves

BLW36/3936 BUTT ■ ◆
 BLW39/4236 BUTT ■
 BLW42/4536 BUTT ■
 BLW36/3936 BUTT SD ◆
 BLW39/4236 BUTT SD
 BLW42/4536 BUTT SD

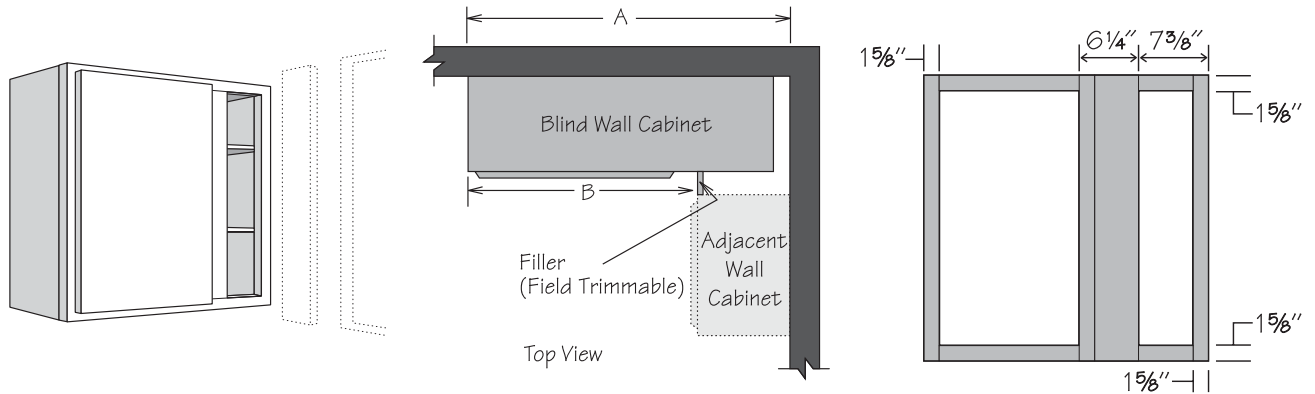
30"H - 2 Shelves

BLW36/3930 BUTT ■ ◆
 BLW39/4230 BUTT ■
 BLW42/4530 BUTT ■
 BLW45/4830 BUTT ■
 BLW48/5130 BUTT ■
 BLW36/3930 BUTT SD ◆
 BLW39/4230 BUTT SD
 BLW42/4530 BUTT SD
 BLW45/4830 BUTT SD
 BLW48/5130 BUTT SD

24"H - 1 Shelf

BLW36/3924 BUTT ■ ◆
 BLW36/3924 BUTT SD ◆

Blind Wall Cabinet Installation Chart



Full Overlay Door Styles

Full Overlay door styles require decorative hardware, which has been calculated into dimensions.

Cabinet	Actual Cabinet Width	Door Opening	Door(s)	Wall Space A			Exposed Frame B	
				Minimum Space*	Maximum Pull	Maximum Space	Minimum Space*	Maximum Space
BLW24/27_	24"	8 3/4"	DR12__	26 1/4"	1 3/4"	28"	14 1/4"	16"
BLW27/30_	27"	11 3/4"	DR15__	29 1/4"	1 3/4"	31"	17 1/4"	19"
BLW30/33_	30"	14 3/4"	DR18__	32 1/4"	1 3/4"	34"	20 1/4"	22"
BLW33/36_	33"	17 3/4"	DR21__	35 1/4"	1 3/4"	37"	23 1/4"	25"
BLW36/3930	36"	20 3/4"	DR2430	38 1/4"	1 3/4"	40"	26 1/4"	28"
BLW36/39_ BUTT	36"	20 3/4"	DR12__ BUTT (2)	38 1/4"	1 3/4"	40"	26 1/4"	28"
BLW39/42_ BUTT	39"	23 3/4"	DR13__ BUTT (2)	41 1/4"	1 3/4"	43"	29 1/4"	31"
BLW42/45_ BUTT	42"	26 3/4"	DR15__ BUTT (2)	44 1/4"	1 3/4"	46"	32 1/4"	34"
BLW45/48_ BUTT	45"	29 3/4"	DR16__ BUTT (2)	47 1/4"	1 3/4"	49"	35 1/4"	37"
BLW48/51_ BUTT	48"	32 3/4"	DR18__ BUTT (2)	50 1/4"	1 3/4"	52"	38 1/4"	40"

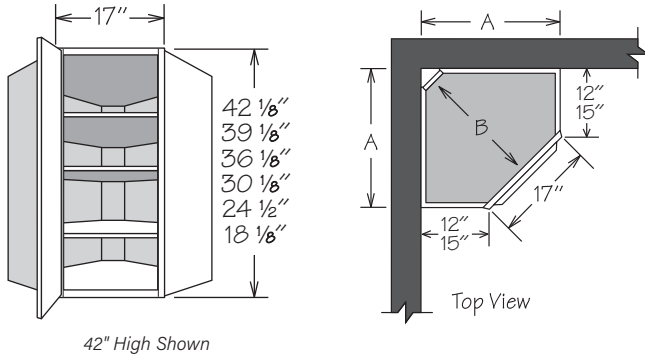
*Dimension requirements do not include optional Overlay Fillers - add 3/8" if Overlay Fillers will be used.

Partial Overlay Door Styles

Wall Space A requirements include optional decorative hardware clearance. 1/4" may be deducted if decorative hardware is not used.

Cabinet	Actual Cabinet Width	Door Opening	Door(s)	Wall Space A			Exposed Frame B	
				Minimum Space	Maximum Pull	Maximum Space	Minimum Space	Maximum Space
BLW24/27_	24"	8 3/4"	DR12__	25 3/8"	2 5/8"	28"	13 3/8"	16"
BLW27/30_	27"	11 3/4"	DR15__	28 3/8"	2 5/8"	31"	16 3/8"	19"
BLW30/33_	30"	14 3/4"	DR18__	31 3/8"	2 5/8"	34"	19 3/8"	22"
BLW33/36_	33"	17 3/4"	DR21__	34 3/8"	2 5/8"	37"	22 3/8"	25"
BLW36/3930	36"	20 3/4"	DR2430	37 3/8"	2 5/8"	40"	25 3/8"	28"
BLW36/39_ BUTT	36"	20 3/4"	DR12__ BUTT (2)	37 3/8"	2 5/8"	40"	25 3/8"	28"
BLW39/42_ BUTT	39"	23 3/4"	DR13__ BUTT (2)	40 3/8"	2 5/8"	43"	28 3/8"	31"
BLW42/45_ BUTT	42"	26 3/4"	DR15__ BUTT (2)	43 3/8"	2 5/8"	46"	31 3/8"	34"
BLW45/48_ BUTT	45"	29 3/4"	DR16__ BUTT (2)	46 3/8"	2 5/8"	49"	34 3/8"	37"
BLW48/51_ BUTT	48"	32 3/4"	DR18__ BUTT (2)	49 3/8"	2 5/8"	52"	37 3/8"	40"

Corner Wall Cabinets



- Must be ordered as hinged left or right
- Door opening is 11 3/4" wide
- Features a DR15_ door
- Specialty Door cabinets (SD) feature Matching Interior standard and require a specialty door selection
- 24" high cabinet's shelf is adjustable, not removable
- Glass Shelf Kit is not available for 18" or 24" high cabinets

APC
FE
MI ■
PE
VDO ■

	A	B
12" Deep	24"	21 1/2"
15" Deep	27"	25 3/4"

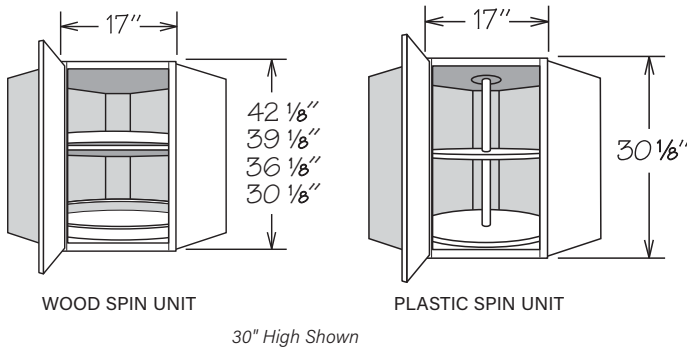
12" DEEP

42"H • 3 Shelves	39"H • 3 Shelves	36"H • 2 Shelves	30"H • 2 Shelves	24"H • 1 Shelf	18"H • No Shelf
CW2442 ■	CW2439 ■	CW2436 ■	CW2430 ■	CW2424 ■	CW2418 ■
CW2442 SD	CW2439 SD	CW2436 SD	CW2430 SD	CW2424 SD	CW2418 SD

15" DEEP

42"H • 3 Shelves	39"H • 3 Shelves	36"H • 2 Shelves	30"H • 2 Shelves	24"H • 1 Shelf	18"H • No Shelf
CW2742 ■	CW2739 ■	CW2736 ■	CW2730 ■	CW2724 ■	CW2718 ■
CW2742 SD	CW2739 SD	CW2736 SD	CW2730 SD	CW2724 SD	CW2718 SD

Corner Wall Cabinets • Spin Units



- Must be ordered as hinged left or right
- Door opening is 11 3/4" wide
- Features a DR15_ door
- Wood Spin Units feature:
 - » One fixed spin unit mounted on cabinet floor and all other spin units are attached to 3/4" adjustable shelf
 - » Natural wood finish with 1" lip
- Plastic Spin Units feature:
 - » Two spin shelves with pole (top shelf adjustable)
 - » White high strength plastic shelves
- Specialty Door cabinets (SD) feature Matching Interior standard and require a specialty door selection

APC
FE
MI ■
PE
VDO ■

WOOD SPIN UNIT

42"H • 3 Spin Units

CWS2442 WD ■
CWS2442 WD SD

39"H • 3 Spin Units

CWS2439 WD ■
CWS2439 WD SD

36"H • 2 Spin Units

CWS2436 WD ■
CWS2436 WD SD

30"H • 2 Spin Units

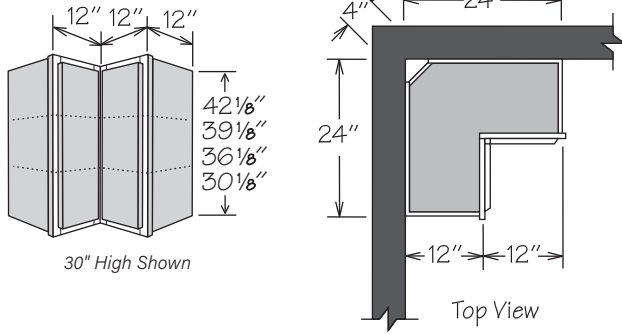
CWS2430 WD ■
CWS2430 WD SD

PLASTIC SPIN UNIT

30"H • 2 Spin Units

CWS2430 ■
CWS2430 SD

Wall Easy Reach



- Must be ordered as hinged left or right
- Stile width and outside profile of both doors at door-to-door hinge may vary from standard dimension and profile for proper door function
- Doors open 170°
- Not available with CushionClose hinges

APC
FE
MI
PE

12" DEEP

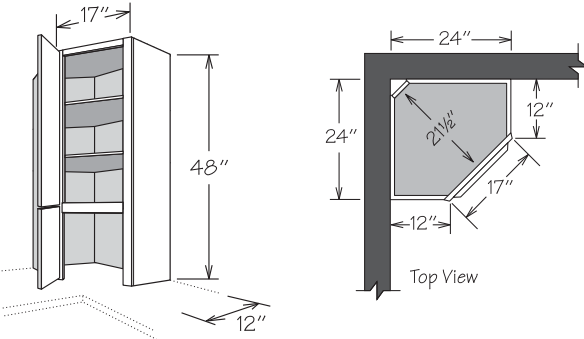
42"H • 3 Shelves
WER2442

39"H • 3 Shelves
WER2439

36"H • 2 Shelves
WER2436

30"H • 2 Shelves
WER2430

Corner Wall Cabinet • Appliance Garage



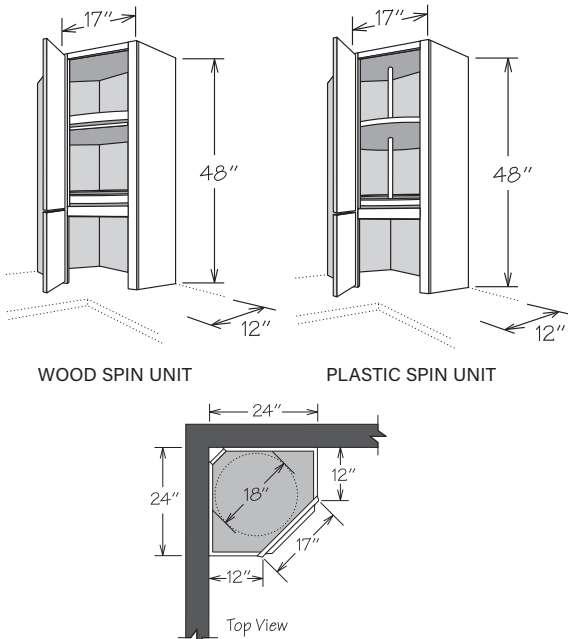
- Features two doors:
 - » (1) DR1530
 - » (1) DR1518
- 11 3/4" wide x 26 7/8" high top door opening
- 11 3/4" wide x 16 1/4" high appliance garage opening
- Specialty Door option only applies to top door - DR1518 SD can be ordered separately for appliance garage
- Specialty Door cabinets (SD) feature Matching Interior standard and require a specialty door selection

APC
FE
MI ■
PE
VDO ■

12" DEEP

48"H • 2 Shelves
CWD2448 ■
CWD2448 SD

Corner Wall Cabinet • Appliance Garage with Spin Units



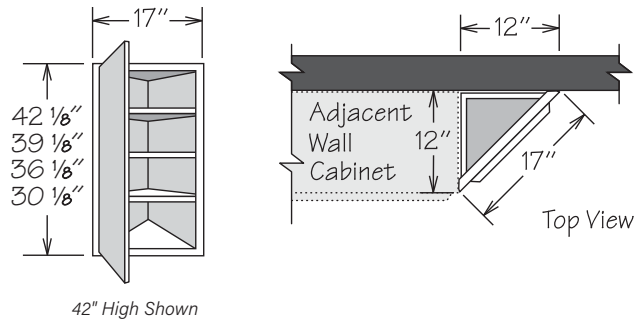
- Wood Spin Units feature:
 - » One fixed spin unit mounted on cabinet floor
 - » One spin unit attached to 3/4" adjustable shelf
 - » Natural wood finish with 1" lip
- Plastic Spin Units feature:
 - » Two spin shelves with pole (top shelf adjustable)
 - » White high strength plastic shelves
- Features two doors:
 - » (1) DR1530
 - » (1) DR1518
- 11 3/4" wide x 26 7/8" high top door opening
- 11 3/4" wide x 16 1/4" high appliance garage opening
- Specialty Door option only applies to top door - DR1518 SD can be ordered separately for appliance garage
- Specialty Door cabinets (SD) feature Matching Interior standard and require a specialty door selection

APC
FE
MI ■
PE
VDO ■

WOOD SPIN UNIT
48"H • 2 Spin Units
CWDS2448 WD ■
CWDS2448 WD SD

PLASTIC SPIN UNIT
48"H • 2 Spin Units
CWDS2448 ■
CWDS2448 SD

Wall End Angle - 1 Door



- Requires 12" x 12" space
- Features a DR15_ door
- Must be ordered as hinged left or right
- Specialty Door cabinets (SD) feature Matching Interior standard and require a specialty door selection

APC
MI ■
PE
VDO ■

12" DEEP

42"H - 3 Shelves

WEA1242 ■
WEA1242 SD

39"H - 3 Shelves

WEA1239 ■
WEA1239 SD

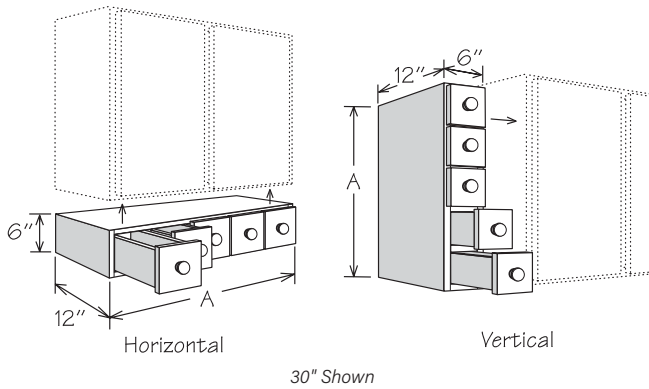
36"H - 2 Shelves

WEA1236 ■
WEA1236 SD

30"H - 2 Shelves

WEA1230 ■
WEA1230 SD

Spice Drawer Cabinet



- Designed for horizontal or vertical installation
- Vertical installation may require the use of fillers and/or molding which must be ordered separately
- All door styles feature veneered engineered wood with 1/2" thick slab drawer fronts
- Flush sides with no face frame or 1/4" reveals
- All wood drawer body with dovetail construction
- Breeze, Linen and Pewter door styles feature white porcelain knobs and all other finishes feature matching wooden knobs
- Duraform door styles feature drawer fronts finished to match cabinet box exterior

12" DEEP

SDC18
SDC24
SDC30
SDC36

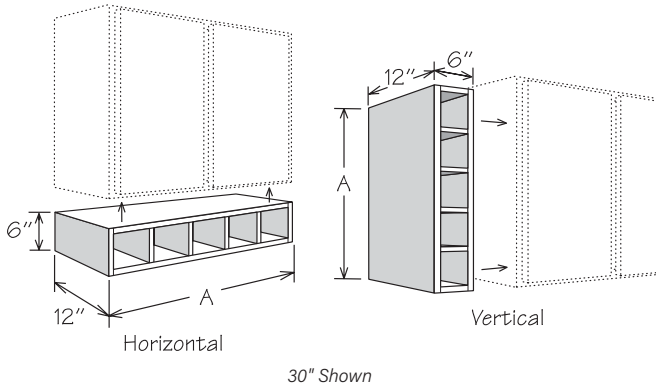
A

18"
24"
30"
36"

NUMBER OF DRAWERS

3
4
5
6

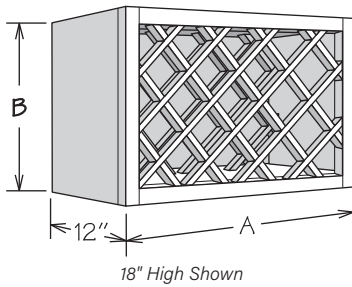
Storage Cube



- Designed for horizontal or vertical installation
- Vertical installation may require the use of fillers and/or molding which must be ordered separately
- Opening size is 5" wide x 4½" high (horizontal) which will accommodate most wine bottles and various other storage needs
- All door styles feature ¾" veneered engineered wood finished to match cabinet box exterior
- Flush sides with no face frame or ¼" reveals
- Interior finished to match cabinet box exterior
- Cannot be retrofitted with Spice Drawer Cabinet drawers

12" DEEP	A	NUMBER OF OPENINGS
SC30	30"	5
SC36	36"	6
SC42	42"	7

Wine Rack Cabinet

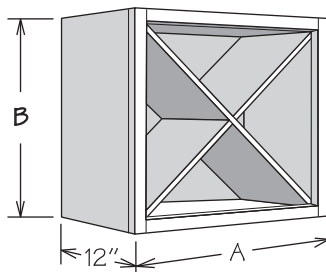


- Interior finished to match cabinet box exterior
- Wine bottle opening is 4" x 4"
- Cabinet must be installed between two adjacent cabinets, one cabinet and a wall, or secured to a cabinet directly above or below

APC
FE
PE

12" DEEP	A	B	NUMBER OF BOTTLES
18"H			
WRC3018	30"	18½"	11
15"H			
WRC3015	30"	15½"	10
WRC3615	36"	15½"	13

Wine Storage Cabinet

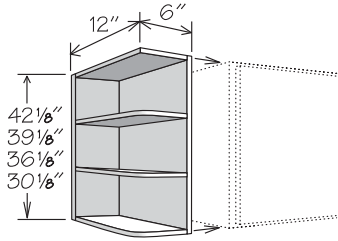


- Interior finished to match cabinet box exterior
- All door styles feature ¾" plywood partitions
- Accent molding recommended – order separately
- Cabinet must be installed between two adjacent cabinets, one cabinet and a wall, or secured to a cabinet directly above or below

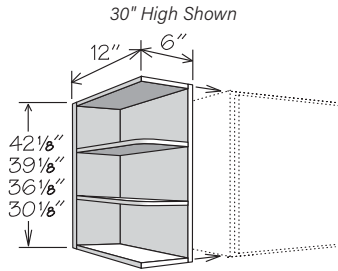
APC
FE
PE

12" DEEP	A	B	NUMBER OF BOTTLES
24"H			
WSC2424	24"	24½"	30
18"H			
WSC1818	18"	18½"	12

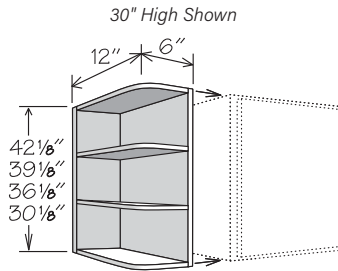
Shelf End Wall



SQUARE TOP, ROUND BOTTOM (SQT)



SQUARE TOP & BOTTOM (SQTb)



ROUND TOP & BOTTOM (SEW)

30" High Shown

- Interior finished to match cabinet box exterior
- Features 1/2" veneered engineered wood back and side
- Top, bottom, and shelves are 3/4" veneered engineered wood
- Rounded shelves feature a 3" radius
- 1/8" screw recommended from inside of adjacent cabinet for installation
- Rounded bottom on SEW_SQT does not allow cabinet to be reversed in the field or installation of bottom molding

12" DEEP

42"H • 3 Shelves

SEW42L SQT
SEW42R SQT
SEW42 SQTb
SEW42

39"H • 3 Shelves

SEW39L SQT
SEW39R SQT
SEW39 SQTb
SEW39

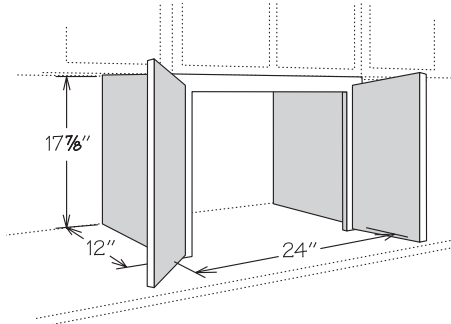
36"H • 2 Shelves

SEW36L SQT
SEW36R SQT
SEW36 SQTb
SEW36

30"H • 2 Shelves

SEW30L SQT
SEW30R SQT
SEW30 SQTb
SEW30

Straight Appliance Garage



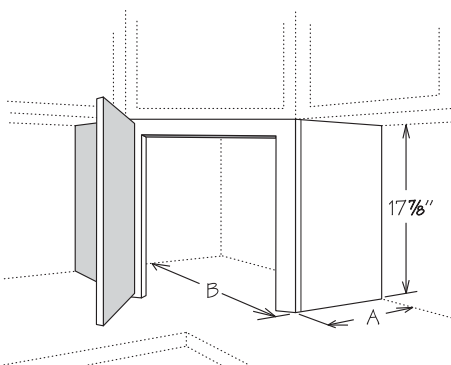
- Installs below minimum 24" wide wall cabinet
- 20 3/4" wide x 15 5/16" high opening
- Shipped with end panels unattached
- No bottom rail

APC
FE
ID
MI ■
RD
VDO ■

12" DEEP

AGSD24 BUTT ■
AGSD24 BUTT SD

Corner Appliance Garage



- Installs below CW and CWS Corner Wall cabinets
- 11 3/4" wide x 15 5/16" high opening
- Shipped with end panels unattached
- No bottom rail

APC
FE
MI ■
VDO ■

12" DEEP

AGD2418 ■
AGD2418 SD

A B

12" 24"
12" 24"

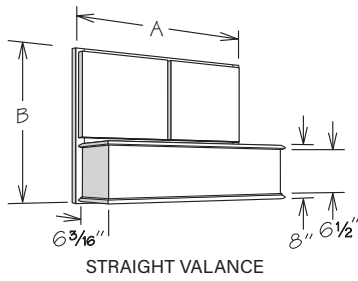
15" DEEP

AGD2718 ■
AGD2718 SD

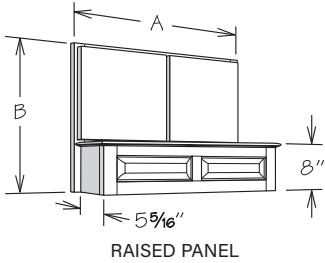
A B

15" 27"
15" 27"

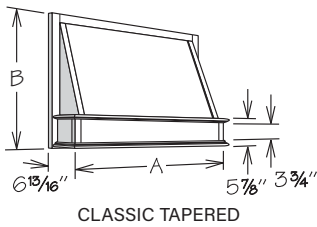
Wall Range Hood



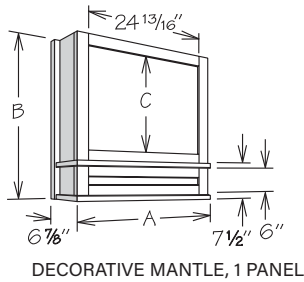
STRAIGHT VALANCE



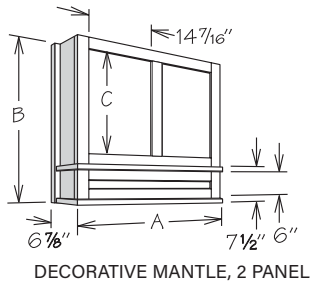
RAISED PANEL



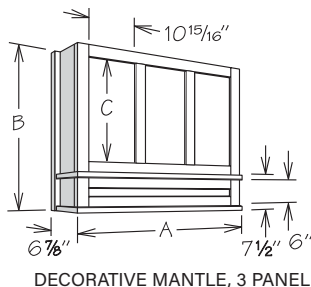
CLASSIC TAPERED



DECORATIVE MANTLE, 1 PANEL



DECORATIVE MANTLE, 2 PANEL

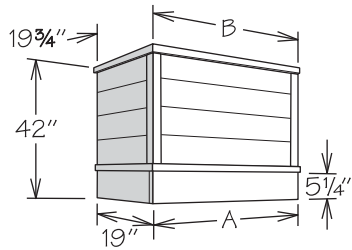


DECORATIVE MANTLE, 3 PANEL

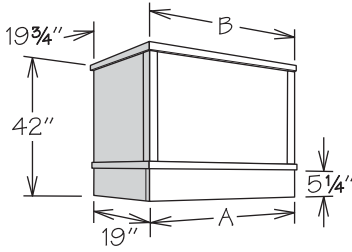
- Must be installed between two wall cabinets
- Silver metallic liner included
- Order range hood blower separately - not for use with RHVENT 960
- All finished surfaces will match cabinet box exterior - glazed finishes will be glazed
- Straight Valance and Raised Panel Range Hoods feature:
 - » Center stile and functioning BUTT doors allow for duct work installation and wiring
 - » Doors will match door style ordered
 - » For Duraform door styles, only the doors will be wrapped

	A	B	C	DOORS
Straight Valance				
WRH3024 SV	30"	24"	-	(2) DR1515 BUTT
WRH3624 SV	36"	24"	-	(2) DR1815 BUTT
WRH3027 SV	30"	27"	-	(2) DR1518 BUTT
WRH3627 SV	36"	27"	-	(2) DR1818 BUTT
WRH3030 SV	30"	30"	-	(2) DR1521 BUTT
WRH3630 SV	36"	30"	-	(2) DR1821 BUTT
Raised Panel				
WRH3024 RP	30"	24"	-	(2) DR1515 BUTT
WRH3624 RP	36"	24"	-	(2) DR1815 BUTT
WRH3027 RP	30"	27"	-	(2) DR1518 BUTT
WRH3627 RP	36"	27"	-	(2) DR1818 BUTT
WRH3030 RP	30"	30"	-	(2) DR1521 BUTT
WRH3630 RP	36"	30"	-	(2) DR1821 BUTT
Classic Tapered				
WRH3024 CT	30"	24"	-	-
WRH3624 CT	36"	24"	-	-
Decorative Mantle - 1 Panel				
WRH3024 DM	30"	24"	12 5/16"	-
WRH3030 DM	30"	30"	18 5/16"	-
WRH3036 DM	30"	36"	24 5/16"	-
Decorative Mantle - 2 Panel				
WRH3624 DM	36"	24"	12 5/16"	-
WRH3630 DM	36"	30"	18 5/16"	-
WRH3636 DM	36"	36"	24 5/16"	-
Decorative Mantle - 3 Panel				
WRH4236 DM	42"	36"	24 5/16"	-

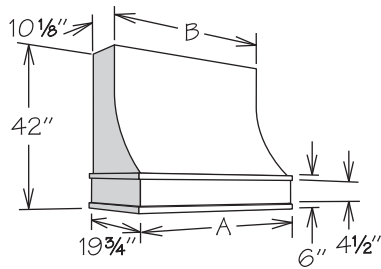
Range Hood • Integrated Chimney



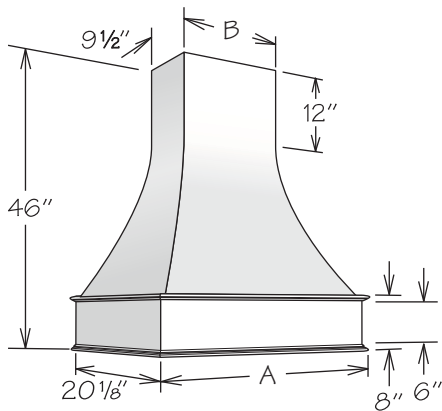
SHIPLAP BOX



MODERN BOX



SLOPED

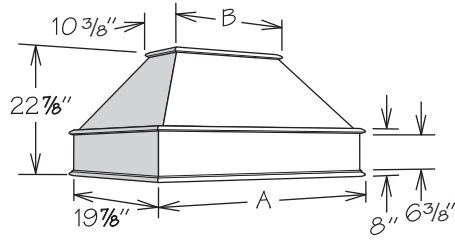


ARTISAN

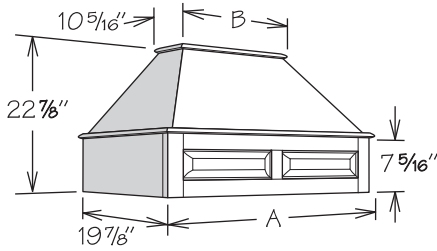
- All door styles are finished to match cabinet box exterior - glazed finishes will be glazed
- Wall mounted installation only
- Silver metallic liner included - liner specific to range hood and blower ordered
 - » If no blower ordered, RHLNER_S will be included
- Order range hood blower separately
- Field trimmable in height to 24"
- RH_ SB and RH_ MB include field installed corner molding and removable top molding

	A	B
Shiplap Box		
RH3642 SB	36"	37 1/2"
RH4242 SB	42"	43 1/2"
RH4842 SB	48"	49 1/2"
Modern Box		
RH3642 MB	36"	37 1/2"
RH4242 MB	42"	43 1/2"
RH4842 MB	48"	49 1/2"
Sloped		
RH3642 SL	37 9/16"	34 1/2"
RH4242 SL	43 9/16"	40 1/2"
Artisan		
RH3646 A	38 5/16"	17"
RH4246 A	44 5/16"	23"

Range Hood



STRAIGHT VALANCE



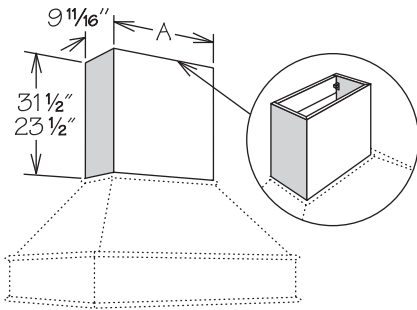
RAISED PANEL

- All door styles are finished to match cabinet box exterior - glazed finishes will be glazed
- Wall mounted installation only
- Order range hood blower separately
- Silver metallic liner included - liner is specific to range hood and blower ordered
 - » If no blower is ordered, RHLINER_S will be included
- May be accessorized with Range Hood Chimney - order separately

	A	B
Straight Valance		
RH3624 SV	37 3/4"	18 3/4"
RH4224 SV	43 3/4"	24 3/4"
RH4824 SV	49 3/4"	30 3/4"
Raised Panel		
RH3624 RP	37 3/4"	18 9/16"
RH4224 RP	43 3/4"	24 9/16"
RH4824 RP	49 3/4"	30 9/16"

WALL CABINETS

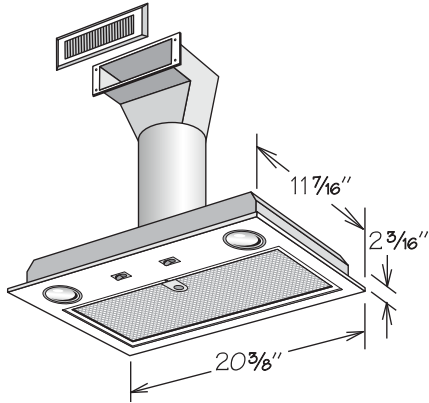
Range Hood Chimney



- Field trimmable in height
- All door styles feature 3/4" solid wood finished to match cabinet box exterior
- Features two chimney mounting blocks with metal fasteners
- For use with Straight Valance or Raised Panel Range Hoods

23 1/2" HIGH	31 1/2" HIGH	A
RHC3623	RHC3631	17 3/8"
RHC4223	RHC4231	23 3/8"
RHC4823	RHC4831	29 3/8"

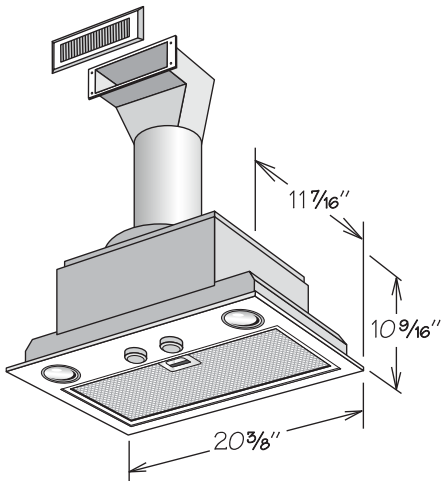
Range Hood Blower ■ 260 CFM Recirculating



- Designed for recirculating installation where exhaust is vented back into kitchen
- Includes duct work, metal grille and clips -- field assembly required
- Stainless steel finish
- 2-speed fan provides 260 CFM on high
- Sound level of 7 sones on high
- Features quick-release dishwasher safe aluminum mesh filter
- Includes two 2.8W bright LED lights
- Metal grille measures 11 1/4" x 5 5/16"
- 10" x 3" cutout required for metal grille
- Installation and care instructions included
- Liner not included

RHVENT 260R

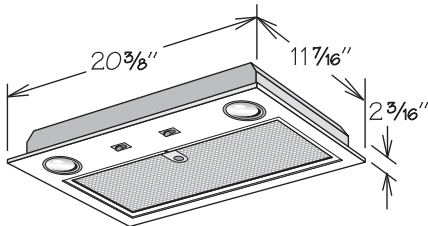
Range Hood Blower ■ 400 CFM Recirculating



- Designed for recirculating installation where exhaust is vented back into kitchen
- Includes duct work, metal grille and clips -- field assembly required
- Stainless steel finish
- Energy Star rated
- Features 3-speed rotary switch
- Fan provides 400 CFM on high
- Sound level of 6 sones on high
- Features quick-release dishwasher safe aluminum mesh filter
- Includes two 2.8W bright LED lights
- Unit has master on-off switch and heat sentry will automatically turn unit on when excessive heat is detected
- Metal grille measures 11 1/4" x 5 5/16"
- 10" x 3" cutout required for metal grille
- Installation and care instructions included
- Liner not included

RHVENT 400R

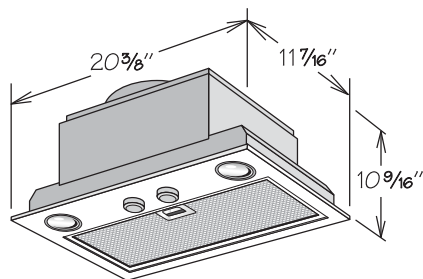
Range Hood Blower ■ 260 CFM Vented



- Designed for vented installation where exhaust is vented to exterior of home
- Stainless steel finish
- Requires 7" round duct for venting to exterior (not included)
- 2-speed fan provides 260 CFM on high
- Sound level of 7 sones on high
- Features quick-release dishwasher safe aluminum mesh filter
- Includes two 2.8W bright LED lights
- Installation and care instructions included
- Liner not included

RHVENT 260

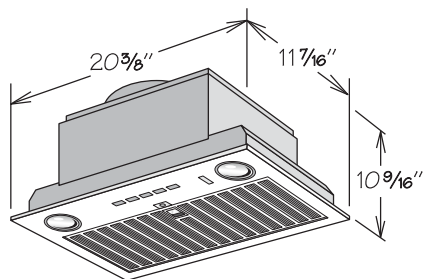
Range Hood Blower ▪ 400 CFM Vented



- Designed for vented installation where exhaust is vented to exterior of home
- Stainless steel finish
- Energy Star rated
- Features 3-speed rotary switch
- Fan provides 400 CFM on high with rectangular duct and 390 CFM on high with round duct
- Requires 6" vertical round or rectangular 3 1/4" x 10" duct for venting to exterior (not included)
- Sound level of 6 sones on high
- Features quick-release dishwasher safe aluminum mesh filter
- Includes two 2.8W bright LED lights
- Unit has master on-off switch and heat sentry will automatically turn unit on when excessive heat is detected
- Installation and care instructions included
- Liner not included

RHVENT 400

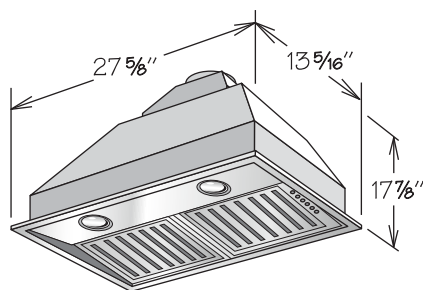
Range Hood Blower ▪ 600 CFM Vented



- Designed for vented installation where exhaust is vented to exterior of home
- Stainless steel finish
- Features 4-speed back-lit Electronic Soft Touch controls
- Requires 8" round, 6" round or 3 1/4" x 10" venting to exterior (not included)
- Fan provides 600 CFM on high with round duct or 580 CFM on high with rectangular duct
- Sound level of 9.5 sones on high
- Features quick-release dishwasher safe baffle-style filter with clean filter reminder
- Includes two 3W bright LED lights with 3 lighting levels
- Unit has master on-off switch and heat sentry will automatically turn unit on when excessive heat is detected
- Auto-Sensing option sets CFM to correct level automatically
- Wifi enabled option allows for voice control
- Installation and care instructions included
- Liner not included

RHVENT 600

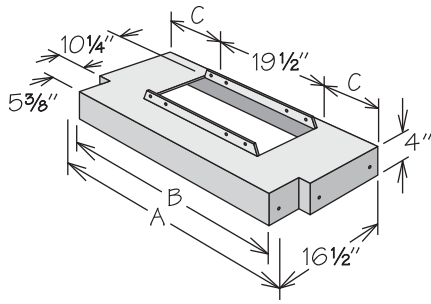
Range Hood Blower ▪ 960 CFM Vented



- Designed for vented installation where exhaust is vented to exterior of home
- Durable stainless steel with brushed finish
- Requires 7" round duct for venting to exterior (not included)
- Features a 4-speed push-button control to offer greater CFM flexibility; 960 CFM, 660 CFM, 480 CFM and 300 CFM
- Centrifugal blower provides 960 CFM air delivery and sound level of 5.1 sones on high
- Features quick-release dishwasher safe baffle-style filter
- Includes two 4-watt 12v MR16 LED bulbs - daylight
- 10 minute delay off timer
- Installation and care instructions included
- Not designed for use with the following:
 - » Straight Valance Wall Range Hoods
 - » Raised Panel Wall Range Hoods
 - » Classic Tapered Wall Range Hoods
 - » Decorative Mantle Wall Range Hoods
- Liner not included

RHVENT 960

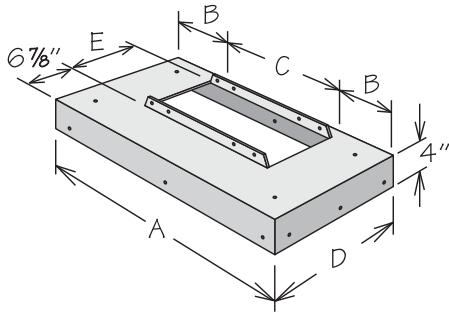
Tapered Hood Liner



- Liner is silver metallic powder coated metal
- For use with the following Wall Range Hoods:
 - » Straight Valance (WRH__SV)
 - » Raised Panel (WRH__RP)
 - » Classic Tapered (WRH__CT)
 - » Decorative Mantle (WRH__DM)
- One liner included with range hood

	A	B	C
RHLINER 30	29 ¹⁵ / ₁₆ "	26 ³ / ₁₆ "	5 ⁷ / ₃₂ "
RHLINER 36	35 ¹⁵ / ₁₆ "	32 ³ / ₁₆ "	8 ⁷ / ₃₂ "
RHLINER 42	41 ¹⁵ / ₁₆ "	38 ¹ / ₁₆ "	11 ⁷ / ₃₂ "

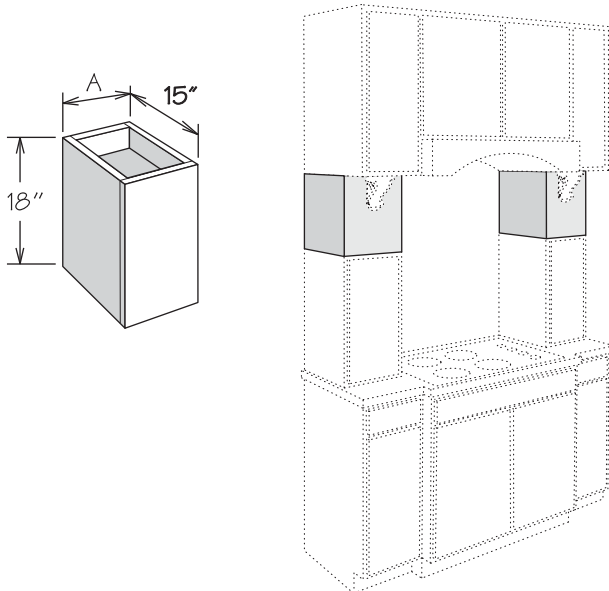
Straight Valance Hood Liner



- Liner finish is silver metallic powder-coated material
- For use with the following Range Hoods:
 - » Straight Valance (RH__SV)
 - » Raised Panel (RH__RP)
 - » Modern Box (RH__MB)
 - » Shiplap Box (RH__SB)
 - » Sloped (RH__SL)
 - » Artisan (RH__A)
- RHLINER_S SL1 must be used with RHVENT 960 blower
- RHLINER_S for use with all blowers except RHVENT 960
- One liner included with range hood (liner is specific to range hood and blower ordered)

	A	B	C	D	E
RHLINER 36S	34 ¹ / ₃₂ "	7 ⁷ / ₁₆ "	19 ¹ / ₂ "	18 ¹ / ₄ "	10 ¹ / ₄ "
RHLINER 42S	40 ¹ / ₃₂ "	10 ⁷ / ₁₆ "	19 ¹ / ₂ "	18 ¹ / ₄ "	10 ¹ / ₄ "
RHLINER 48S	46 ¹ / ₃₂ "	13 ⁷ / ₁₆ "	19 ¹ / ₂ "	18 ¹ / ₄ "	10 ¹ / ₄ "
RHLINER 36S SL1	34 ¹ / ₃₂ "	3 ³ / ₄ "	26 ¹³ / ₁₆ "	18 ³ / ₁₆ "	12 ⁷ / ₁₆ "
RHLINER 42S SL1	40 ¹ / ₃₂ "	6 ³ / ₄ "	26 ¹³ / ₁₆ "	18 ³ / ₁₆ "	12 ⁷ / ₁₆ "
RHLINER 48S SL1	46 ¹ / ₃₂ "	9 ³ / ₄ "	26 ¹³ / ₁₆ "	18 ³ / ₁₆ "	12 ⁷ / ₁₆ "

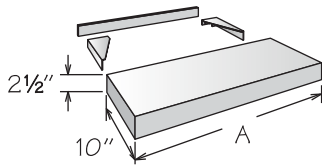
Plain Box Filler



- Veneered engineered wood
- Features 1/4" reveal
- Trimmable in height to 14 1/8" tall
- Reversible for left or right installation

15" DEEP	A
WPB91815	9"
WPB121815	12"

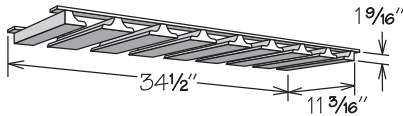
Floating Shelf



- Not trimmable
- Finished on all sides to match cabinet box exterior
- Features veneered engineered wood top and bottom and solid wood front and sides
- When installed between two cabinets, Furniture Ends (FE) is recommended for adjacent cabinets
- Must be secured to studs in wall
- Installation instructions, mounting brackets and screws included

10" DEEP	A	MAX. LOAD
FLSH2410	24"	30 lbs.
FLSH3010	30"	37 lbs.
FLSH3610	36"	45 lbs.
FLSH4210	42"	52 lbs.
FLSH4810	48"	60 lbs.

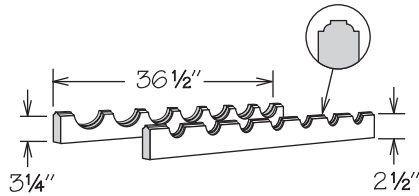
Stem Glass Holder



- Field trimmable to install below 18", 24", 30", or 36" wide wall cabinet
- All door styles feature solid wood finished to match cabinet box exterior
- Maximum stem glass base is 3/2" in diameter
- Not sized to fit modified depth cabinets

SGH36U

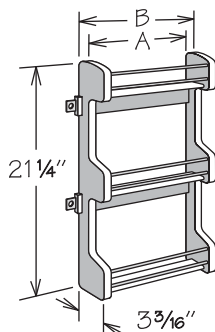
Wine Rack



- Accommodates seven bottles
- Field trimmable to 24" (five bottles) or 30" (six bottles)
- All door styles feature solid wood finished to match cabinet box exterior

WR36

Spice Rack Kit



- Field installation accessory
- For wall cabinets 30" or higher
- Position cabinet adjustable shelves prior to installation
- Natural finish solid wood with chrome rails
- Three fixed shelves
- SRK15 mounts to 15" wide door
- SRK18 mounts to 18" wide door
- SRK21 mounts to 21" wide door

	A	B
SRK15	9 1/2"	10 1/2"
SRK18	12 1/2"	13 1/2"
SRK21	15 1/2"	16 1/2"

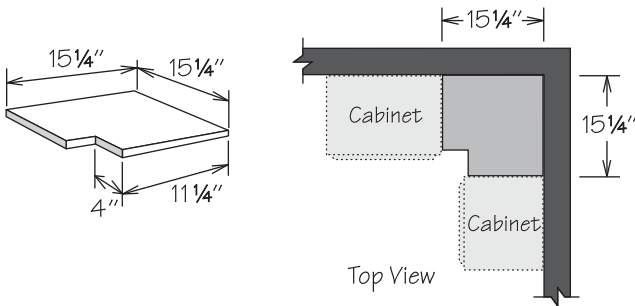
Finished Shelf



- Standard finished shelves feature veneered engineered wood, edge banded on all sides with top and bottom finished to match cabinet box exterior
- Textured finished shelves feature engineered wood, edge banded on all sides with top and bottom textured-wrapped to match cabinet door – available for Breeze and Drift finishes only
- Field trimmable

STANDARD	TEXTURED	A
FS4812	FS4812 DT	48 1/4"
FS6012	FS6012 DT	60 1/4"
FS7212	FS7212 DT	72 1/4"

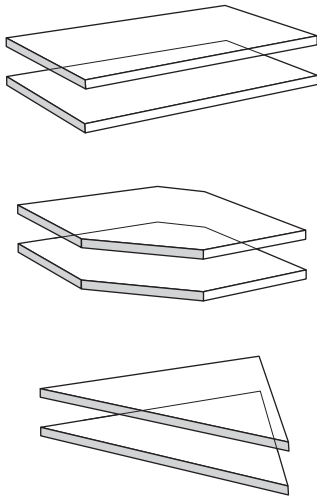
Blind Corner Closure



- Features 1/2" engineered wood finished with natural woodgrain finish both sides
- Field trimmable

BLC1515

Glass Shelf Kit



- Glass Shelf Kit includes two 1/4" high-strength tempered glass shelves
- Can be used with existing shelf rests or order SHELF REST MFD PK separately
- Refer to individual SKU box for number of shelves required and/or available
- GSK12 – GSK36 is 10 1/4" deep
- GSK12-15 – GSK36-15 is 13 1/4" deep
- Tempered glass cannot be field trimmed
- Glass Shelf Kits 12" - 24" wide have a 15 lb. per square foot load rating
- Glass Shelf Kits 27" - 36" wide have a 5 lb. per square foot load rating

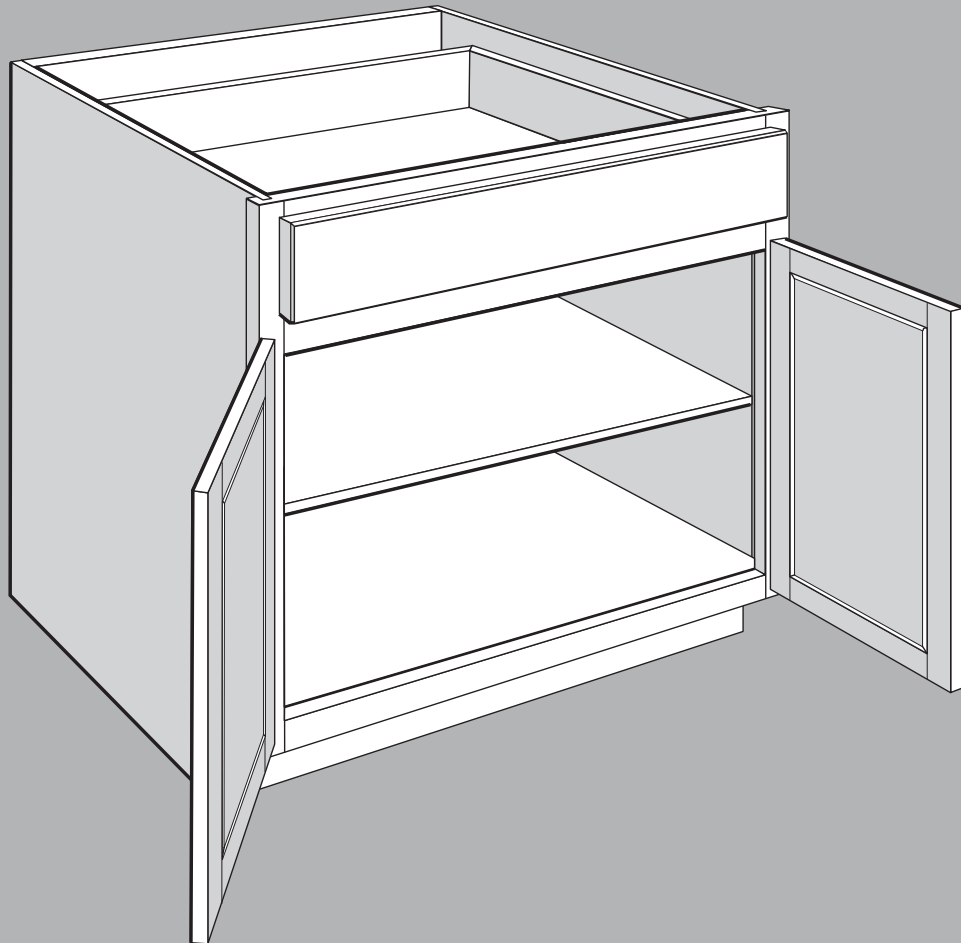
12" DEEP

GSK12
GSK15
GSK18
GSK21
GSK24
GSK27
GSK30
GSK33
GSK36
GSKCW24
GSKWEA12

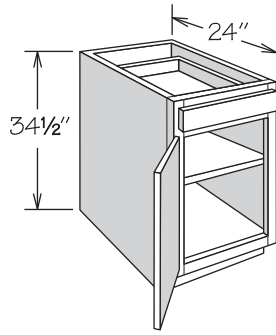
15" DEEP

GSK12-15
GSK15-15
GSK18-15
GSK21-15
GSK24-15
GSK27-15
GSK30-15
GSK33-15
GSK36-15
GSKCW27

Base Cabinets



Base Cabinet ■ 1 Door and 1 Drawer



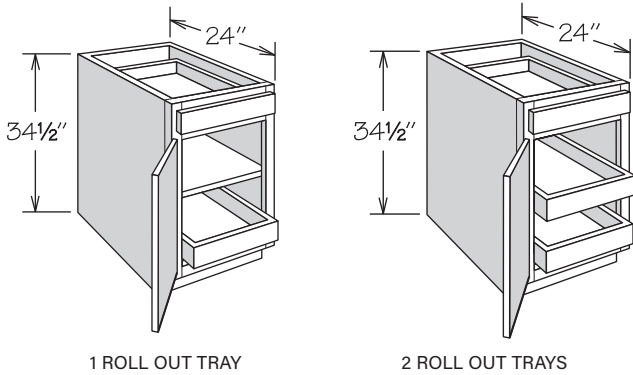
- Full-depth adjustable shelf
- Hinged left and can be reversed in the field

AH
APC
CFO
FE
IF
PE
RD
RTK

1 SHELF

- B12
- B15
- B18
- B21
- B24

Base Cabinet ■ 1 Door, 1 Drawer and Deep Roll Out Trays



1 ROLL OUT TRAY

2 ROLL OUT TRAYS

- Full-depth adjustable shelf in center position where applicable
- Deep Roll Out Trays are not adjustable
- Hinged left and can be reversed in the field

AH
APC
FE
PE
RD
RTK
VTD

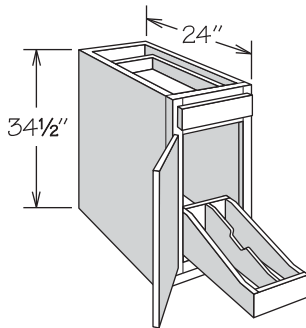
1 ROLL OUT TRAY

- B12 FWT
- B15 FWT
- B18 FWT
- B21 FWT
- B24 FWT

2 ROLL OUT TRAYS

- B12 2FWT
- B15 2FWT
- B18 2FWT
- B21 2FWT
- B24 2FWT

Base Cabinet ■ 1 Door, 1 Drawer and Roll-Out Tray Divider



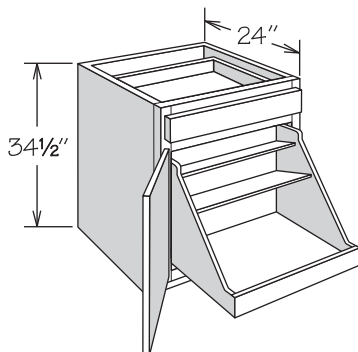
- Roll-Out Tray Divider in natural finish solid wood and wood veneer and dovetail (front only) construction with engineered wood bottom
- B12 ROTD features two compartments (one partition)
- B15 ROTD features three compartments (two partitions)
- Partitions are field installed
- No shelf
- Hinged left and can be reversed in the field

AH
APC
FE
PE
RTK

ROLL-OUT TRAY DIVIDER

- B12 ROTD
- B15 ROTD

Base Cabinet ■ 1 Door, 1 Drawer and Pot & Pan Organizer



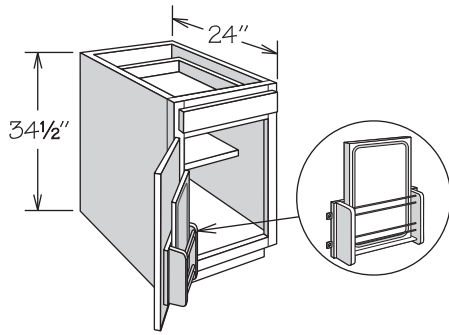
- Organizer features natural finish solid wood, wood veneer and dovetail (front only) construction with engineered wood bottom
- Top shelf of organizer measures 6 3/8" deep
- Middle shelf of organizer measures 9 3/4" deep
- Hinged left and can be reversed in the field

AH
APC
FE
IF
PE
RTK
VTD

BASE POT & PAN ORGANIZER

- B24 BPPO

Base Cabinet • 1 Door, 1 Drawer and Door Kits



CUTTING BOARD DOOR RACK

- Full-depth adjustable shelf must be field trimmed to half-depth
- Kits packaged separately for field installation
- Cannot be used with Deep Roll Out Tray(s)
- Plastic Bag Door Storage Kit:
 - » Natural finish solid wood and wood veneer
 - » Removable white plastic tray is NOT dishwasher safe
- Cutting Board Door Rack Kit:
 - » Natural finish solid wood features chrome rails
 - » Solid wood cutting board is NOT dishwasher safe
 - » Cutting board measures 15⁵/₁₆" x 10⁹/₁₆" x 1³/₁₆"
- Hinged left and can be reversed in the field

AH
APC
FE
PE
RTK

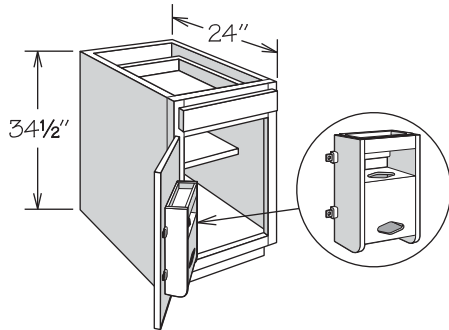
CUTTING BOARD DOOR RACK KIT

B18 CDDR

PLASTIC BAG DOOR STORAGE KIT

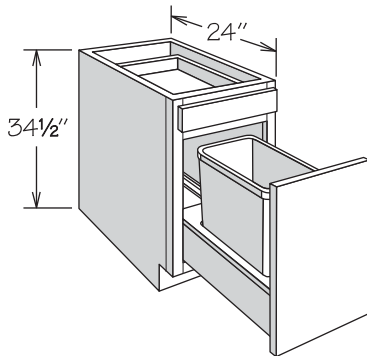
B15 PBDSU

B18 PBDSU



PLASTIC BAG DOOR STORAGE

Base Cabinet • 1 Drawer and Door with Wastebasket Pull-Out



1 WASTEBASKET

- Wastebasket rests in a natural finish wood frame
- Wastebasket pull-out features heavy-duty, 132-pound glides
- BWBB15 features one silver plastic 35-quart capacity bin
- BWBB15-2 features two silver plastic 27-quart capacity bins
- BWBB18-2 and BWBB21-2 feature two silver plastic 35-quart capacity bins
- Decorative hardware strongly recommended

AH
APC
FE
IF
PE
RTK

1 WASTEBASKET

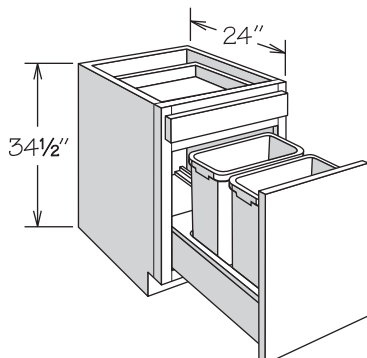
BWBB15

2 WASTEBASKETS

BWBB15-2

BWBB18-2

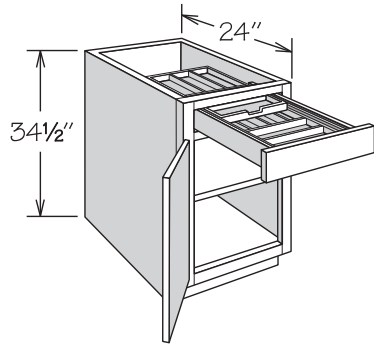
BWBB21-2



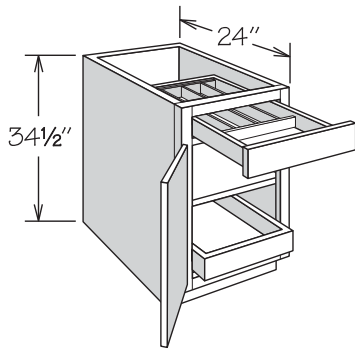
2 WASTEBASKETS

Base Cabinet • Drawer Accessories • 1 Door

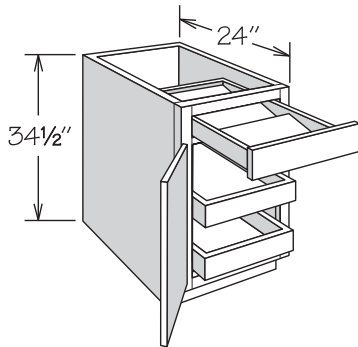
APC
FE
PE
RTK



1 SHELF
18" Wood Tiered Cutlery Divider Shown



1 ROLL OUT TRAY
18" Cutlery Divider Shown



2 ROLL OUT TRAYS
18" Spice Drawer Insert Shown

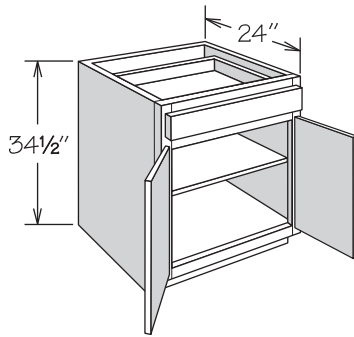
- Cutlery Divider features solid hardwood and plywood in natural finish
- Spice Drawer Insert features solid hardwood and plywood in natural finish and accommodates most spice containers (not included)
- Wood Tiered Cutlery Divider features:
 - » Solid hardwood and plywood in natural finish
 - » Upper section slides independently from drawer
- Refer to specifications on individual cabinets and accessories for more details

WOOD TIERED CUTLERY DIVIDER	UPPER SECTION	LOWER SECTION
15"	5	5
18"	5	6
21"	6	7
24"	7	7

CUTLERY DIVIDER	SECTIONS
15"	4
18"	5
21"	6
24"	6

1 SHELF	1 ROLL OUT TRAY	2 ROLL OUT TRAYS
Wood Tiered Cutlery Divider	Wood Tiered Cutlery Divider	Wood Tiered Cutlery Divider
B15 WTCD	B15 FWT WTCD	B15 2FWT WTCD
B18 WTCD	B18 FWT WTCD	B18 2FWT WTCD
B21 WTCD	B21 FWT WTCD	B21 2FWT WTCD
B24 WTCD	B24 FWT WTCD	B24 2FWT WTCD
Cutlery Divider	Cutlery Divider	Cutlery Divider
B15 CD	B15 FWT CD	B15 2FWT CD
B18 CD	B18 FWT CD	B18 2FWT CD
B21 CD	B21 FWT CD	B21 2FWT CD
B24 CD	B24 FWT CD	B24 2FWT CD
Spice Drawer Insert	Spice Drawer Insert	Spice Drawer Insert
B15 SDI	B15 FWT SDI	B15 2FWT SDI
B18 SDI	B18 FWT SDI	B18 2FWT SDI
B21 SDI	B21 FWT SDI	B21 2FWT SDI
B24 SDI	B24 FWT SDI	B24 2FWT SDI

Base Cabinet • 2 Butt Doors and 1 Drawer



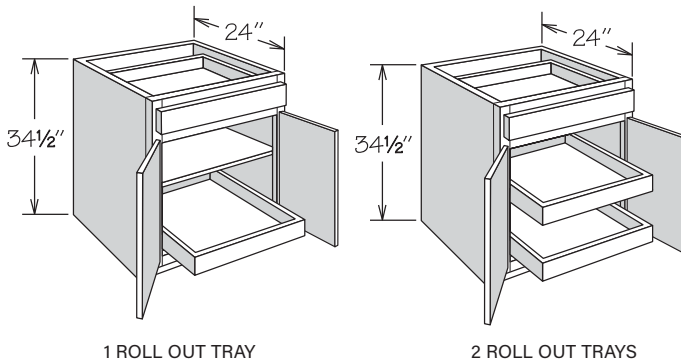
- Full-depth adjustable shelf
- Center support for shelf provided for cabinets 27" or wider

AH
APC
CFO
FE
PE
RD
RTK

1 SHELF

B24 BUTT
B27 BUTT
B30 BUTT
B33 BUTT
B36 1TD BUTT

Base Cabinet • 2 Butt Doors, 1 Drawer and Deep Roll Out Trays



1 ROLL OUT TRAY

2 ROLL OUT TRAYS

- Full-depth adjustable shelf
- Center support for shelf provided for cabinets 27" or wider
- Deep Roll Out Trays are not adjustable

AH
APC
FE
PE
RD
RTK
VTD

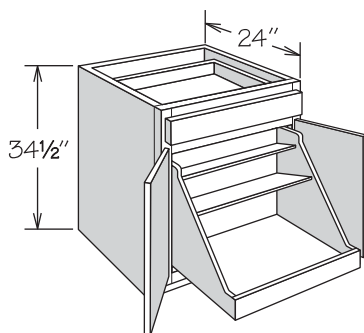
1 ROLL OUT TRAY

B24 FWT BUTT
B27 FWT BUTT
B30 FWT BUTT
B33 FWT BUTT
B36 FWT 1TD BUTT

2 ROLL OUT TRAYS

B24 2FWT BUTT
B27 2FWT BUTT
B30 2FWT BUTT
B33 2FWT BUTT
B36 1TD 2FWT BUTT

Base Cabinet • 2 Butt Doors, 1 Drawer and Pot & Pan Organizer



- Organizer features natural finish solid wood, wood veneer and dovetail (front only) construction with engineered wood bottom
- Top shelf of organizer measures 6³/₁₆" deep
- Middle shelf of organizer measures 9³/₄" deep

AH
APC
FE
IF
PE
RTK
VTD

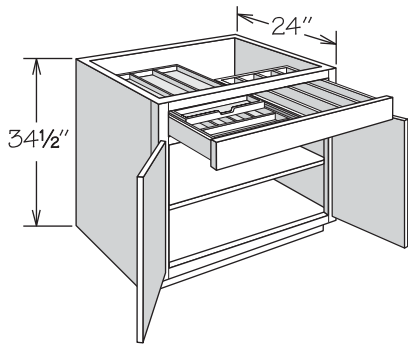
BASE POT & PAN ORGANIZER

B24 BUTT BPPO
B27 BUTT BPPO
B30 BUTT BPPO
B33 BUTT BPPO
B36 1TD BUTT BPPO

Base Cabinet ▪ Drawer Accessories ▪ 2 Doors

NEW! SIZES

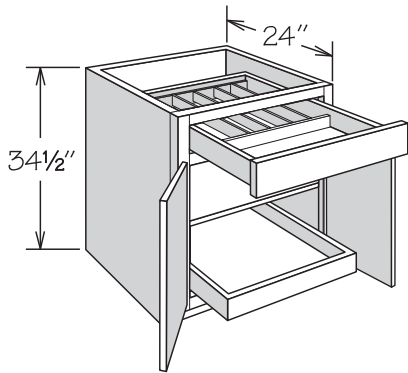
APC
FE
PE
RTK



1 SHELF
30" Wood Tiered Cutlery Divider Shown

- Cutlery Divider features solid hardwood and plywood in natural finish
- Spice Drawer Insert features solid hardwood and plywood in natural finish and accommodates most spice containers (not included)
- Wood Tiered Cutlery Divider features:
 - » Solid hardwood and plywood in natural finish
 - » Upper section slides independently from drawer
 - » Additional cooking utensil section on 30" or wider
- Refer to specifications on individual cabinets and accessories for more details

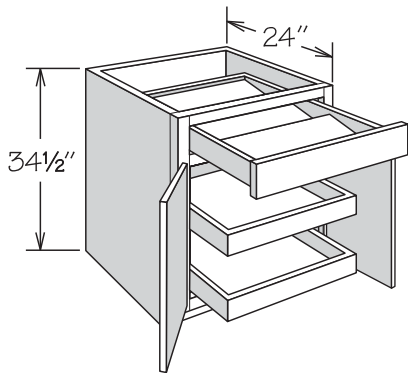
WOOD TIERED CUTLERY DIVIDER	UPPER SECTIONS	LOWER SECTIONS	COOKING UTENSIL SECTIONS
24"	7	7	-
30"	5	5	4
36"	5	5	5



1 ROLL OUT TRAY
24" Cutlery Divider Shown

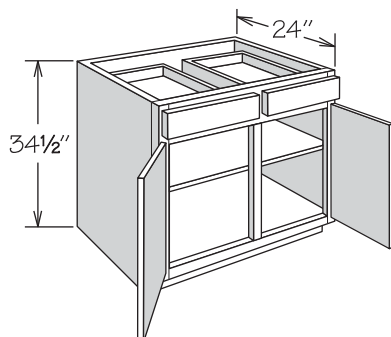
CUTLERY DIVIDER	SECTIONS
24"	6
30"	7
36"	8

1 SHELF	1 ROLL OUT TRAY	2 ROLL OUT TRAYS
Wood Tiered Cutlery Divider	Wood Tiered Cutlery Divider	Wood Tiered Cutlery Divider
B24 BUTT WTCD	B24 FWT BUTT WTCD	B24 2FWT BUTT WTCD
B30 BUTT WTCD	B30 FWT BUTT WTCD	B30 2FWT BUTT WTCD
B36 1TD BUTT WTCD	B36 1TD FWT BUTT WTCD	B36 1TD 2FWT BUTT WTCD
Cutlery Divider	Cutlery Divider	Cutlery Divider
B24 BUTT CD	B24 FWT BUTT CD	B24 2FWT BUTT CD
B30 BUTT CD	B30 FWT BUTT CD	B30 2FWT BUTT CD
B36 1TD BUTT CD	B36 1TD FWT BUTT CD	B36 1TD 2FWT BUTT CD
Spice Drawer Insert	Spice Drawer Insert	Spice Drawer Insert
B24 BUTT SDI	B24 FWT BUTT SDI	B24 2FWT BUTT SDI



2 ROLL OUT TRAYS
24" Spice Drawer Insert Shown

Base Cabinet ▪ 2 Doors and 2 Drawers



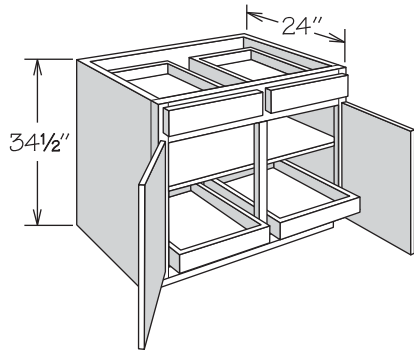
- Full-depth adjustable shelf
- Center support for shelf provided

AH
APC
CFO
FE
IF
PE
RD
RTK

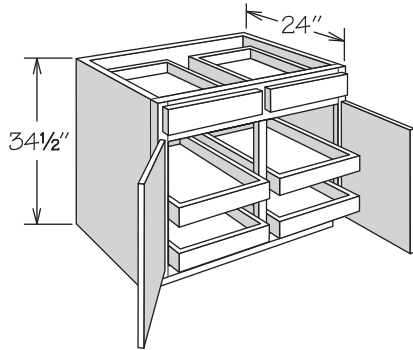
1 SHELF

B39
B42
B48

Base Cabinet - 2 Doors, 2 Drawers and Deep Roll Out Trays



2 ROLL OUT TRAYS



4 ROLL OUT TRAYS

- Full-depth adjustable shelf in center position where applicable
- Center support for shelf provided
- Deep Roll Out Trays are not adjustable

AH
APC
FE
PE
RD
RTK
VTD

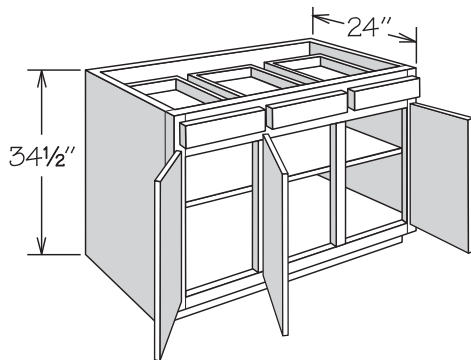
2 ROLL OUT TRAYS

B39 2T
B42 2T
B48 2T

4 ROLL OUT TRAYS

B39 4T
B42 4T
B48 4T

Base Cabinet - 3 Doors and 3 Drawers



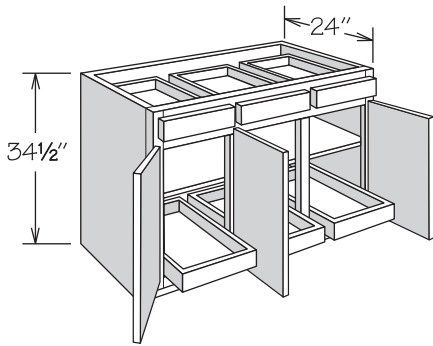
- Full-depth adjustable shelf
- Center support for shelf provided
- Hinged as shown - can be reversed in the field

AH
APC
CFO
FE
PE
IF
RD
RTK

1 SHELF

B45

Base Cabinet • 3 Doors, 3 Drawers and Deep Roll Out Trays



3 ROLL OUT TRAYS

- Full-depth adjustable shelf in center position where applicable
- Center support for shelf provided
- Deep Roll Out Trays are not adjustable
- Hinged as shown - can be reversed in the field

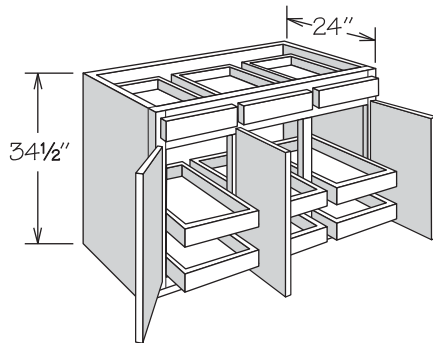
AH
APC
FE
PE
RD
RTK
VTD

3 ROLL OUT TRAYS

B45 3T

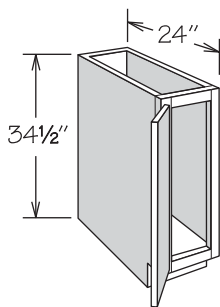
6 ROLL OUT TRAYS

B45 6T

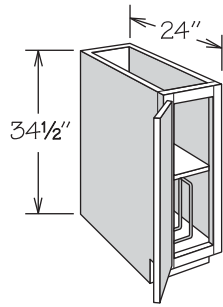


6 ROLL OUT TRAYS

Full-Height Base Cabinet • 1 Door



NO SHELF



1 SHELF & TRAY DIVIDER

- Full-height door
- Recessed Toe Kick Option available left (RTKL) or right (RTKR) only
- TB9 TDS is only available with RD-23 though RD-14
- TB9 TDS features full-depth adjustable shelf (S924) and Tray Divider (TD3) packaged separately for field installation
- Hinged left and can be reversed in the field

AH
APC
CFO ■
FE
PE
RD
RTK

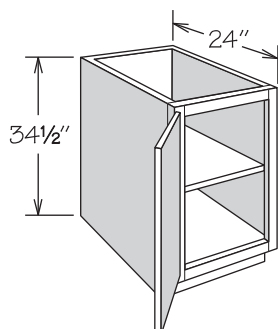
NO SHELF

TB9 ■

1 SHELF & TRAY DIVIDER

TB9 TDS

Full-Height Base Cabinet • 1 Door



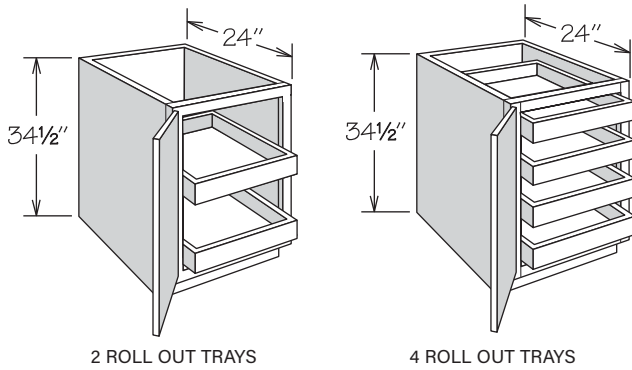
- Full-depth adjustable shelf
- Full-height door
- Hinged left and can be reversed in the field

AH
APC
CFO
FE
PE
RD
RTK

1 SHELF

B12 FH
B15 FH
B18 FH
B21 FH
B24 FH

Full-Height Base Cabinet • 1 Door and Deep Roll Out Trays



- Full-height door
- Deep Roll Out Trays are not adjustable
- Distance between two roll out trays is 10¹³/₁₆"
- Distance between four roll out trays is 4⁷/₁₆"
- Hinged left and can be reversed in the field

AH
APC
FE
PE
RD
RTK

2 ROLL OUT TRAYS

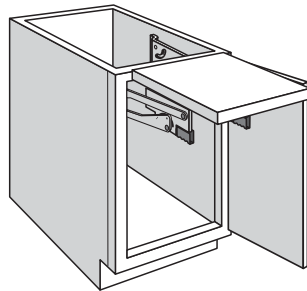
B12 FH 2FWT
B15 FH 2FWT
B18 FH 2FWT
B21 FH 2FWT
B24 FH 2FWT

4 ROLL OUT TRAYS

B12 FH 4FWT
B15 FH 4FWT
B18 FH 4FWT
B21 FH 4FWT
B24 FH 4FWT

Full-Height Base Cabinet • 1 Door and Base Mixer Lift

NEW! **PRODUCT**



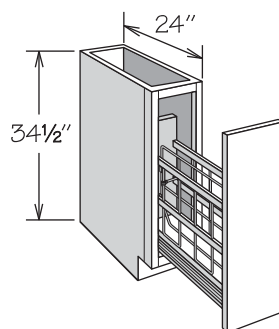
- Full-height door
- Features Furniture Ends standard
- Includes 1 3/8" thick natural finish solid wood shelf and one pair of shock dampening, adjustable tension lifts
- Supports up to 60 pounds
- Cannot be used with Deep Roll Out Tray or adjustable shelf
- Kit packaged separately for field installation

AH
APC
RTK

BASE MIXER LIFT

B18 FH MLK

Full-Height Base Cabinet • 1 Door with Tray Divider Pull-Out



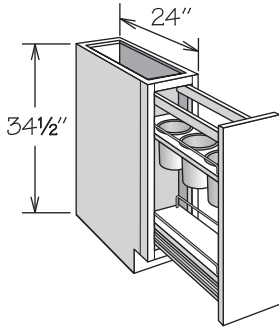
- Full-height door
- Tray divider is adjustable to accommodate various storage solutions
- Decorative hardware strongly recommended
- Recessed Toe Kick Option available left (RTKL) or right (RTKR) only

AH
APC
FE
PE
RTK

TRAY DIVIDER PULL-OUT

BTDP9

Full-Height Base Cabinet • 1 Door with Utensil Storage Pull-Out



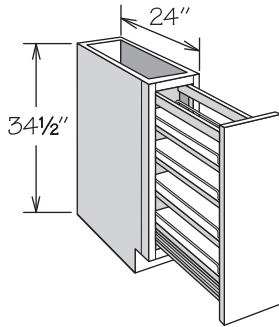
- Full-height door
- One fixed bottom and one adjustable lower shelf in a natural finish with chrome rails
- One fixed upper shelf in a natural finish with chrome rails and three stainless steel removable storage bins
- Stainless steel bins measure 5 1/4" wide x 6 7/8" deep
- Decorative hardware strongly recommended
- BPPUS9 not available with Recessed Toe Kick Both Option (RTKB)

AH
APC
FE
PE
RTK

UTENSIL STORAGE PULL-OUT

BPPUS9
BPPUS12

Full-Height Base Cabinet • 1 Door with Base Pantry Pull-Out



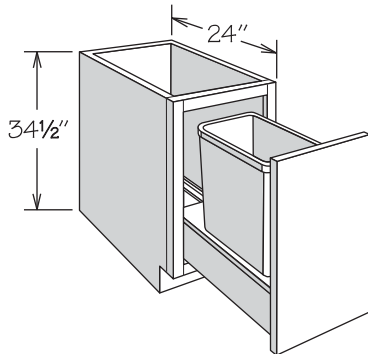
- Full-height door
- One fixed and three adjustable shelves with chrome rails
- Decorative hardware strongly recommended
- BPP9 not available with Recessed Toe Kick Both Option (RTKB)

AH
APC
FE
PE
RTK

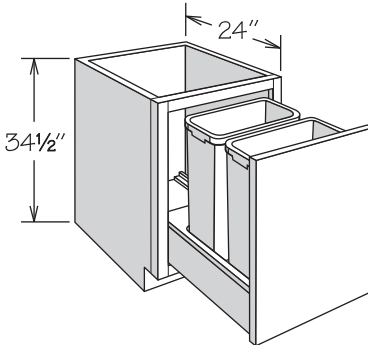
BASE PANTRY PULL-OUT

BPP9
BPP12

Full-Height Base Cabinet • 1 Door with Wastebasket Pull-Out



1 WASTEBASKET



2 WASTEBASKETS

- Full-height door
- Wastebasket rests in a natural finish wood frame
- Wastebasket pull-out features heavy-duty, 132-pound rated glides
- BWBB15 FH and BWBB18 FH feature one silver plastic 50-quart capacity bin
- BWBB21-2 FH features two silver plastic 50-quart capacity bins
- Decorative hardware strongly recommended

AH
APC
FE
PE
RTK

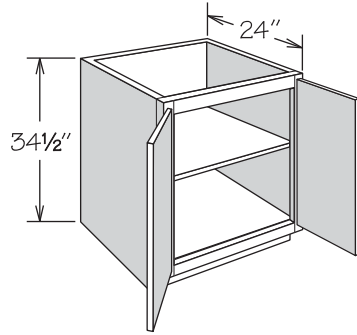
1 WASTEBASKET

BWBB15 FH
BWBB18 FH

2 WASTEBASKETS

BWBB21-2 FH

Full-Height Base Cabinet • 2 Butt Doors



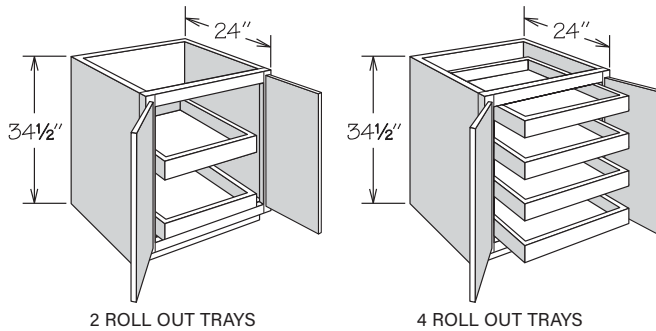
- Full-depth adjustable shelf
- Full-height butt doors
- Center support for shelf provided for cabinets 27" or wider

AH
APC
CFO
FE
PE
RD
RTK

1 SHELF

B24 BUTT FH
B27 BUTT FH
B30 BUTT FH
B33 BUTT FH
B36 BUTT FH

Full-Height Base Cabinet • 2 Butt Doors and Deep Roll Out Trays



- Full-height doors
- Deep Roll Out Trays are not adjustable
- Distance between two roll out trays is 10 13/16"
- Distance between four roll out trays is 4 7/16"

AH
APC
FE
PE
RD
RTK

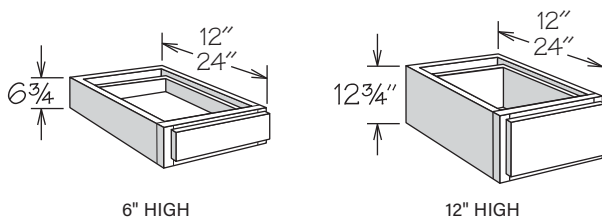
2 ROLL OUT TRAYS

B24 BUTT FH 2FWT
B27 BUTT FH 2FWT
B30 BUTT FH 2FWT
B33 BUTT FH 2FWT
B36 BUTT FH 2FWT

4 ROLL OUT TRAYS

B24 BUTT FH 4FWT
B27 BUTT FH 4FWT
B30 BUTT FH 4FWT
B33 BUTT FH 4FWT
B36 BUTT FH 4FWT

Furniture Drawer Cabinet • 1 Drawer



- 6" high features one standard drawer and 12" high features one large drawer
- 24" deep Furniture Drawer cabinets are only available with RD-23 through RD-13
- Bottom of cabinet frame must be fully supported

APC
CFO
FE
PE
RD ■

6" HIGH • 1 DRAWER

12" Deep

FD121206
FD151206
FD181206
FD211206
FD241206
FD271206
FD301206
FD331206
FD361206

24" Deep

FD122406 ■
FD152406 ■
FD182406 ■
FD212406 ■
FD242406 ■
FD272406 ■
FD302406 ■
FD332406 ■
FD362406 ■

12" HIGH • 1 DRAWER

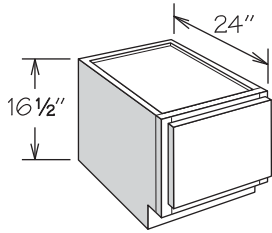
12" Deep

FD121212
FD151212
FD181212
FD211212
FD241212
FD271212
FD301212
FD331212
FD361212

24" Deep

FD122412 ■
FD152412 ■
FD182412 ■
FD212412 ■
FD242412 ■
FD272412 ■
FD302412 ■
FD332412 ■
FD362412 ■

Pedestal Drawer Cabinet • 1 Drawer



- One large drawer
- Features solid top

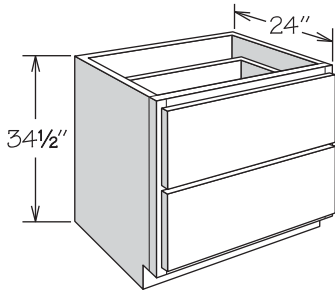
APC
CFO
FE
PE
RD
RTK

1 DRAWER

- PD1217 1DWR
- PD1517 1DWR
- PD1817 1DWR
- PD2117 1DWR
- PD2417 1DWR
- PD2717 1DWR
- PD3017 1DWR
- PD3317 1DWR
- PD3617 1DWR

Drawer Base Cabinet • 2 Drawers

NEW! SIZES



- Two large drawers with extra large drawer fronts
- Drawer body measures 6¹⁵/₁₆" high
- Drawers feature Full-Extension CushionClose heavy-duty 132 pound rated glides
- Only available with RD-23 through RD-21

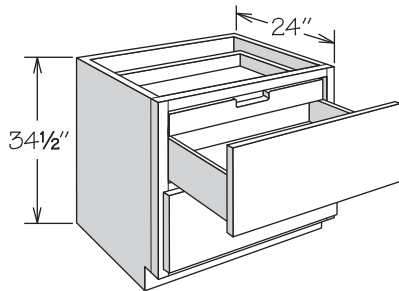
AH
APC
CFO
FE
PE
RD
RTK

2 DRAWERS

- DB21 2DWR
- DB24 2DWR
- DB27 2DWR
- DB30 2DWR
- DB33 2DWR
- DB36 2DWR

Drawer Base Cabinet • 2 Drawers and Scalloped Roll Out Tray

NEW! SIZES



- Two large drawers with extra large drawer fronts
- Drawer body measures 6¹⁵/₁₆" high
- Drawers feature Full-Extension CushionClose heavy-duty 132 pound rated glides
- Scalloped Deep Roll Out Tray with full-access soft-close glides in top opening
- Only available with RD-23 through RD-21

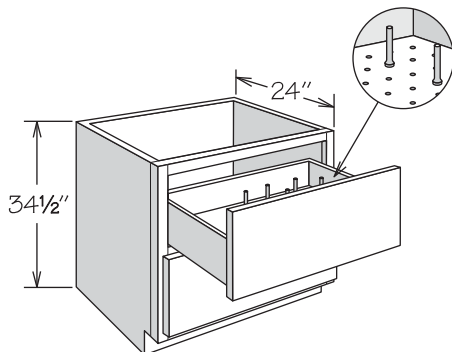
AH
APC
FE
PE
RD
RTK

2 DRAWERS

- DB21 2DWR SFWT
- DB24 2DWR SFWT
- DB27 2DWR SFWT
- DB30 2DWR SFWT
- DB33 2DWR SFWT
- DB36 2DWR SFWT

Drawer Base Cabinet • 2 Drawers and Peg Dish Organizer

NEW! SIZES



- Two large drawers with extra large drawer fronts
- Drawer body measures 6¹⁵/₁₆" high
- Drawers feature Full-Extension CushionClose heavy-duty 132 pound rated glides
- One Peg Dish Organizer Kit (organizer and adjustable pegs) in natural finish, packaged separately for field installation
- Additional pegs (PEG KIT 4 PK) and Peg Dish Organizer Kits (PDO_) can be ordered separately

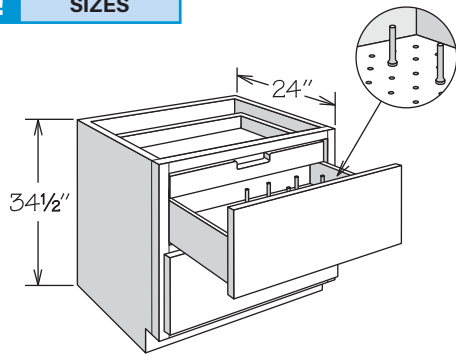
AH
APC
FE
PE
RTK

2 DRAWERS

2 DRAWERS	PEG COUNT
DB21 2DWR PDO	8
DB24 2DWR PDO	12
DB27 2DWR PDO	12
DB30 2DWR PDO	12
DB33 2DWR PDO	12
DB36 2DWR PDO	12

Drawer Base Cabinet • 2 Drawers, Scalloped Roll Out Tray and Peg Dish Organizer

NEW! SIZES

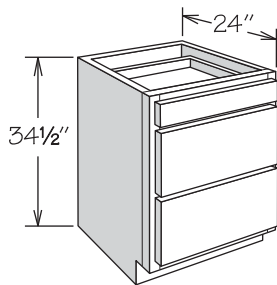


- Two large drawers with extra large drawer fronts
- Drawer body measures 6¹⁵/₁₆" high
- Drawers feature Full-Extension CushionClose heavy-duty 132 pound rated glides
- Scalloped Deep Roll Out Tray with full-access soft-close Glides in top opening
- One Peg Dish Organizer Kit (organizer and adjustable pegs) in natural finish, packaged separately for field installation
- Additional pegs (PEG KIT 4 PK) and Peg Dish Organizer Kits (PDO_) can be ordered separately

AH
APC
FE
PE
RTK

2 DRAWERS	PEG COUNT
DB21 2DWR SFWT PDO	8
DB24 2DWR SFWT PDO	12
DB27 2DWR SFWT PDO	12
DB30 2DWR SFWT PDO	12
DB33 2DWR SFWT PDO	12
DB36 2DWR SFWT PDO	12

Drawer Base Cabinet • 3 Drawers



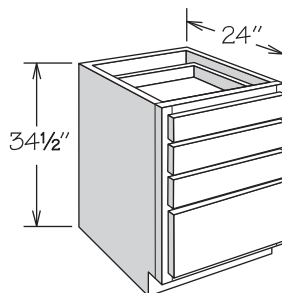
- One standard and two large drawers

AH
APC
CFO
FE
PE
RD
RTK
VTD

3 DRAWERS

DB12
DB15
DB18
DB21
DB24
DB27
DB30
DB33
DB36 1TD

Drawer Base Cabinet • 4 Drawers



- One large and three standard drawers

AH
APC
CFO
FE
PE
RD
RTK
VTD

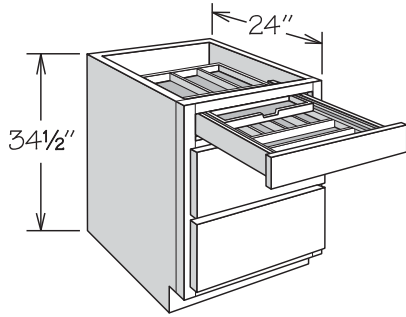
4 DRAWERS

DB12 4DWR
DB15 4DWR
DB18 4DWR
DB21 4DWR
DB24 4DWR

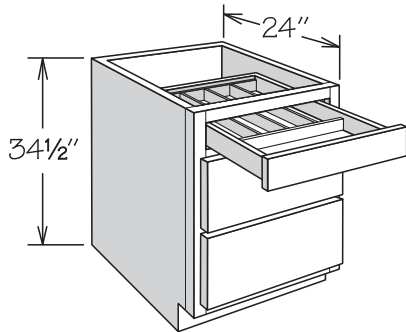
Drawer Base Cabinet - Drawer Accessories

NEW! SIZES

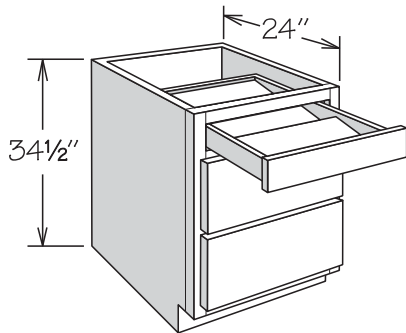
APC
FE
PE
RTK



3 DRAWER
18" Wood Tiered Cutlery Divider Shown



3 DRAWER
18" Cutlery Divider Shown



3 DRAWER
18" Spice Drawer Insert Shown

- Cutlery Divider features solid hardwood and plywood in natural finish
- Spice Drawer Insert features solid hardwood and plywood in natural finish and accommodates most spice containers (not included)
- Wood Tiered Cutlery Divider features:
 - » Solid hardwood and plywood in natural finish
 - » Upper section slides independently from drawer
 - » Additional cooking utensil section on 30" or wider
- Refer to specifications on individual cabinets and accessories for more details

WOOD TIERED CUTLERY DIVIDER	UPPER SECTIONS	LOWER SECTIONS	COOKING UTENSIL SECTIONS
15"	5	5	-
18"	5	6	-
21"	6	7	-
24"	7	7	-
30"	5	5	4
36"	5	5	5

CUTLERY DIVIDER	SECTIONS
15"	4
18"	5
21"	6
24"	6
30"	7
36"	8

3 DRAWER

Wood Tiered Cutlery Divider

- DB15 WTCD
- DB18 WTCD
- DB21 WTCD
- DB24 WTCD
- DB30 WTCD
- DB36 1TD WTCD

Cutlery Divider

- DB15 CD
- DB18 CD
- DB21 CD
- DB24 CD
- DB30 CD
- DB36 1TD CD
- Spice Drawer Insert
- DB15 SDI
- DB18 SDI
- DB21 SDI
- DB24 SDI

4 DRAWER

Wood Tiered Cutlery Divider

- DB15 4DWR WTCD
- DB18 4DWR WTCD
- DB21 4DWR WTCD
- DB24 4DWR WTCD

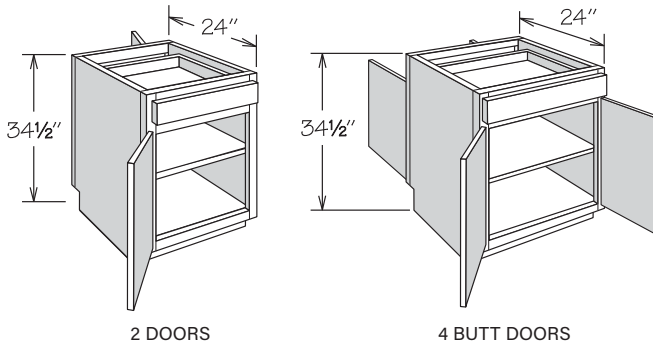
Cutlery Divider

- DB15 4DWR CD
- DB18 4DWR CD
- DB21 4DWR CD
- DB24 4DWR CD

Spice Drawer Insert

- DB15 4DWR SDI
- DB18 4DWR SDI
- DB21 4DWR SDI
- DB24 4DWR SDI

Peninsula Base • 1 Drawer



- Full-depth adjustable shelf
- Drawer accessible on one side only
- Panel on opposite side of drawer
- When selecting the Recessed Toe Kick Option, the drawer side indicates the front of the cabinet
- Single door cabinets are hinged left and can be reversed in the field

APC
FE
PE
RD
RTK
VTD

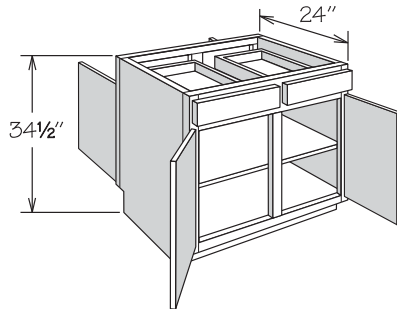
2 DOORS

PB12
PB18
PB24

4 BUTT DOORS

PB24 BUTT
PB30 BUTT
PB36 1TD BUTT

Peninsula Base • 2 Drawers



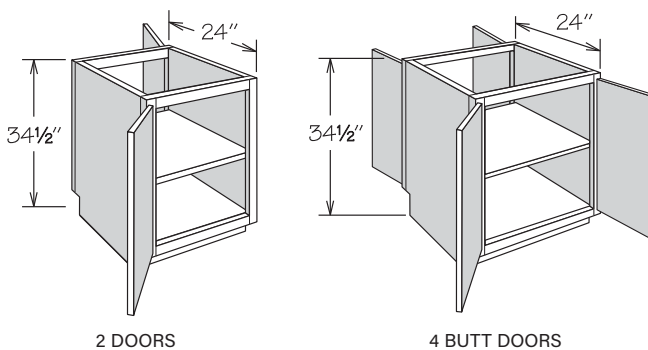
- Full-depth adjustable shelf
- Drawers accessible on one side only
- Features two panels on opposite side of drawers
- When selecting the Recessed Toe Kick Option, the drawer side indicates the front of the cabinet

APC
FE
PE
RD
RTK
VTD

4 DOORS

PB42

Full-Height Peninsula Base



- Full-height doors
- Full-depth adjustable shelf
- Single door cabinets are hinged left and can be reversed in the field

APC
FE
PE
RD
RTK

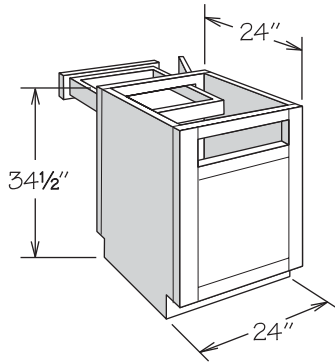
2 DOORS

PB12 FH
PB18 FH

4 BUTT DOORS

PB24 BUTT FH
PB30 BUTT FH
PB36 BUTT FH

Blind Peninsula Corner Base



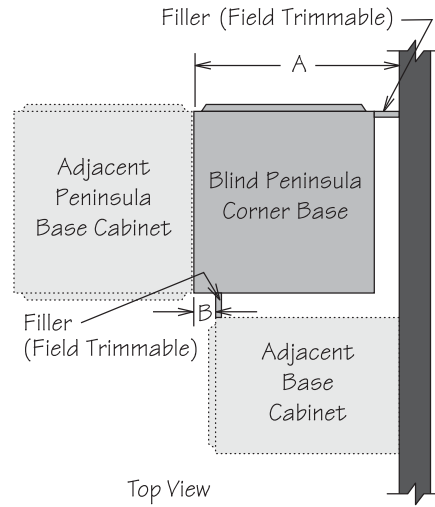
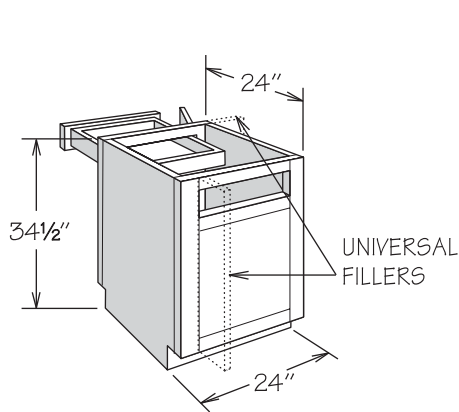
- Full-depth adjustable shelf
- Can be installed left or right
- Universal Fillers are recommended for use between PBC24 and wall and adjoining base cabinet or appliance for hardware clearance and proper door operation
- Cabinet may require pulling from wall - refer to the chart below for specifications
- Roll-out accessories are not recommended
- Must order Universal Fillers separately
- PBC24 is hinged left and can be reversed in the field

APC
FE
PE
RD

1 DOOR
PBC24

2 DOORS
PBC24 BUTT

Blind Peninsula Corner Base Installation Chart



Full Overlay Door Styles

Full overlay door styles require decorative hardware, which has been calculated into dimensions.
*Must use these dimensions if optional Overlay Fillers will be used.

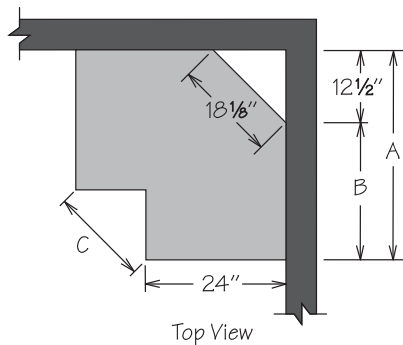
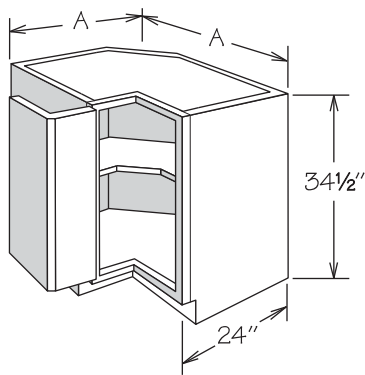
Cabinet	Actual Cabinet Width	Door Opening	Door(s)	Wall Space A			Exposed Frame B		Filler (at wall)	
				Min. Space	Max. Pull	Max. Space*	Min. Space	Max. Space*	Min.	Max.*
PBC24	24"	20 3/4"	DR2424	26 1/4"	3/4"	27"	2 1/4"	3"	2 1/4"	3"
PBC24 BUTT	24"	20 3/4"	DR1224 BUTT (2)	26 1/4"	3/4"	27"	2 1/4"	3"	2 1/4"	3"

Partial Overlay Door Styles

Wall Space A requirements include optional decorative hardware clearance.
1 1/4" may be deducted if decorative hardware is not used.

Cabinet	Actual Cabinet Width	Door Opening	Door(s)	Wall Space A			Exposed Frame B		Filler (at wall)	
				Min. Space	Max. Pull	Max. Space	Min. Space	Max. Space	Min.	Max.
PBC24	24"	20 3/4"	DR2424	25 5/8"	1 5/8"	27"	1 3/8"	3"	1 3/8"	3"
PBC24 BUTT	24"	20 3/4"	DR1224 BUTT (2)	25 5/8"	1 5/8"	27"	1 3/8"	3"	1 3/8"	3"

Base Easy Reach NEW! UPDATE

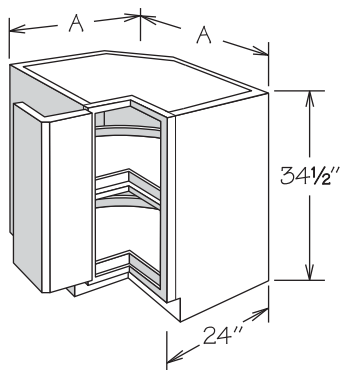


- **UPDATE:** Now features a solid top
- One adjustable half-depth shelf (non-removable)
- All door styles must be ordered hinged left or right
- BER33 features two solid recessed panel doors for the McKinley door style
- Stile width and outside profile of both doors at door-to-door hinge may vary from standard dimension and profile for proper door function
- Sides are finished
- Doors open 170°
- Not available with CushionClose hinge
- Cabinet requires a minimum of 34" to fit through doorway
- Additional space recommended if appliance is installed on the hinge side of this cabinet for proper door operation - decorative hardware should be taken into consideration for the overall depth of appliance

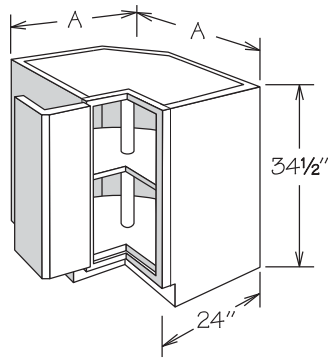
AH
APC
FE
PE

SHELF	A	B	C
BER33	33"	20 1/2"	10 7/16"
BER36	36"	23 1/2"	14 5/8"

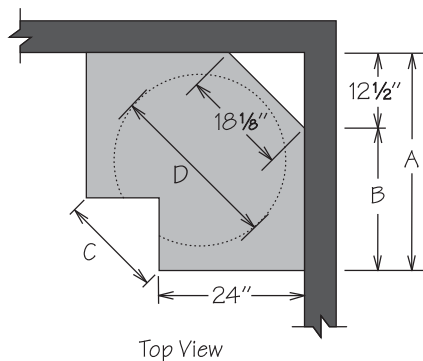
Base Super Susan - Spin Unit NEW! UPDATE



WOOD SPIN UNIT



PLASTIC SPIN UNIT



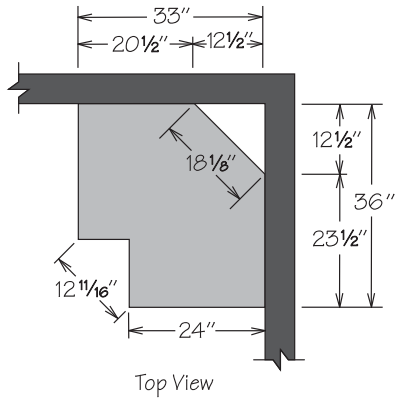
- **UPDATE:** Now features a solid top
- All door styles must be ordered hinged left or right
- BER33 features two solid recessed panel doors for the McKinley door style
- Stile width and outside profile of both doors at door-to-door hinge may vary from standard dimension and profile for proper door function
- Sides are finished
- Doors open 170°
- Not available with CushionClose hinge
- Cabinet requires a minimum of 34" to fit through doorway
- Additional space recommended if appliance is installed on the hinge side of this cabinet for proper door operation - decorative hardware should be taken into consideration for the overall depth of appliance
- Wood Spin Units feature:
 - » One fixed spin unit mounted on cabinet floor
 - » One spin unit attached to 3/4" adjustable shelf
 - » Natural wood finish with 1" lip
- Plastic Spin Units feature:
 - » Two spin shelves with pole (top shelf adjustable)
 - » White high strength plastic shelves

AH
APC
FE
PE

WOOD SPIN UNIT	A	B	C	D
BSS33 WD	33"	20 1/2"	10 7/16"	28"
BSS36 WD	36"	23 1/2"	14 5/8"	32"
PLASTIC SPIN UNIT	A	B	C	D
BSS33	33"	20 1/2"	10 7/16"	28"
BSS36	36"	23 1/2"	14 5/8"	32"

Asymmetrical Base Easy Reach

NEW! UPDATE

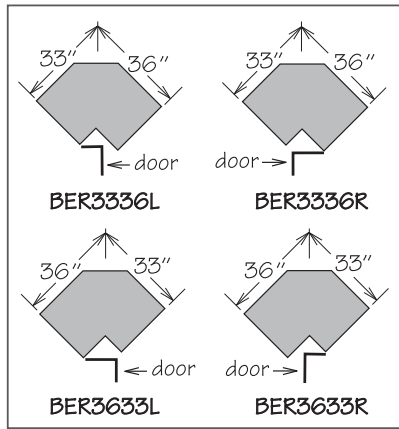


- **UPDATE:** Now features a solid top
- One adjustable half-depth shelf (non-removable)
- All door styles must be ordered hinged left or right
- McKinley door style features one solid recessed panel door (33" side) and one solid raised panel door (36" side)
- Stile width and outside profile of both doors at door-to-door hinge may vary from standard dimension and profile for proper door function
- Sides are finished
- Doors open 170°
- Not available with CushionClose hinge
- Cabinet requires a minimum of 34" to fit through doorway
- Additional space recommended if appliance is installed on the hinge side of this cabinet for proper door operation - decorative hardware should be taken into consideration for the overall depth of appliance

AH
APC
FE
PE

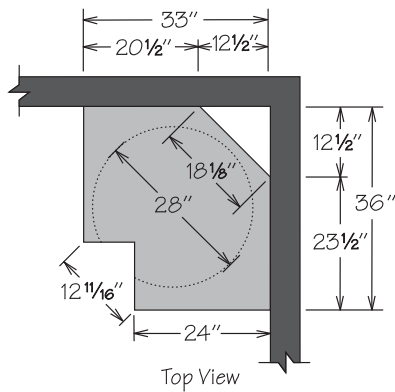
SHELF

BER3336
BER3633



Asymmetrical Base Super Susan • Spin Unit

NEW! UPDATE



- **UPDATE:** Now features a solid top
- All door styles must be ordered hinged left or right
- McKinley door style features one solid recessed panel door (33" side) and one solid raised panel door (36" side)
- Stile width and outside profile of both doors at door-to-door hinge may vary from standard dimension and profile for proper door function
- Sides are finished
- Doors open 170°
- Not available with CushionClose hinge
- Cabinet requires a minimum of 34" to fit through doorway
- Additional space recommended if appliance is installed on the hinge side of this cabinet for proper door operation - decorative hardware should be taken into consideration for the overall depth of appliance
- Wood Spin Units feature:
 - » One fixed spin unit mounted on cabinet floor
 - » One spin unit attached to 3/4" adjustable shelf
 - » Natural wood finish with 1" lip
- Plastic Spin Units feature:
 - » Two spin shelves with pole (top shelf adjustable)
 - » White high strength plastic shelves

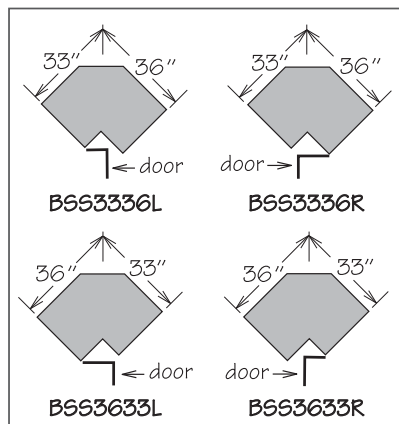
AH
APC
FE
PE

WOOD SPIN UNIT

BSS3336 WD
BSS3633 WD

PLASTIC SPIN UNIT

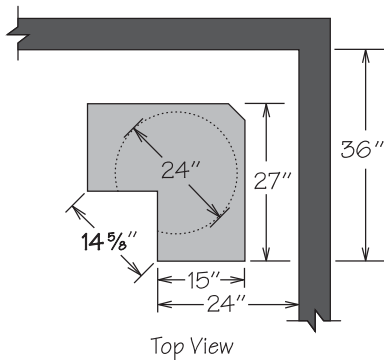
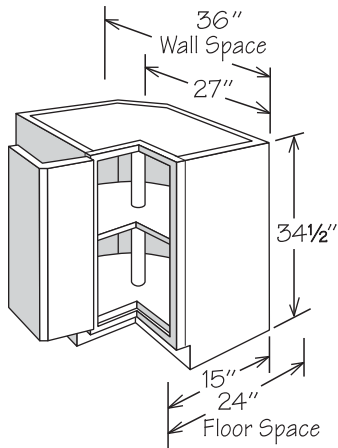
BSS3336
BSS3633



Corner Base Carousel • Spin Unit

NEW! UPDATE

AH

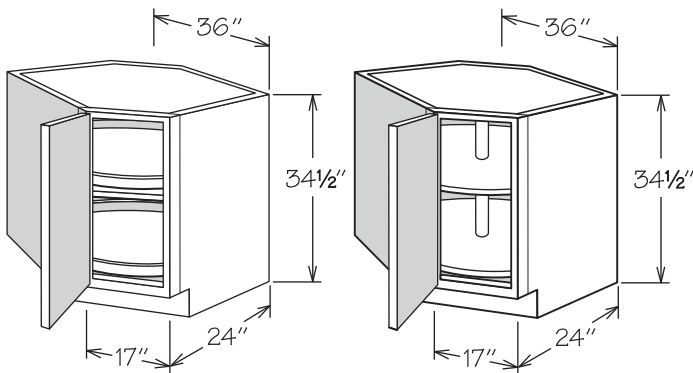


- **UPDATE:** Now features a solid top
- All door styles must be ordered hinged left or right
- Stile width and outside profile of both doors at door-to-door hinge may vary from standard dimension and profile for proper door function
- Sides are unfinished
- Doors open 170°
- Not available with CushionClose hinge
- If unit has an exposed side, order end panel separately
- Additional support for countertop in back is necessary
- Additional space recommended if appliance is installed on the hinge side of this cabinet for proper door operation—decorative hardware should be taken into consideration for the overall depth of appliance
- Unit must be pulled to install in a 36" x 36" space
- Wood Spin Units feature:
 - » Two natural finish solid hardwood spin shelves with pole (top shelf adjustable)
- Plastic Spin Units feature:
 - » Two white high strength plastic spin shelves with pole (top shelf adjustable)

WOOD SPIN UNIT
CAR36 WD

PLASTIC SPIN UNIT
CAR36

Corner Base • Spin Unit



WOOD SPIN UNIT

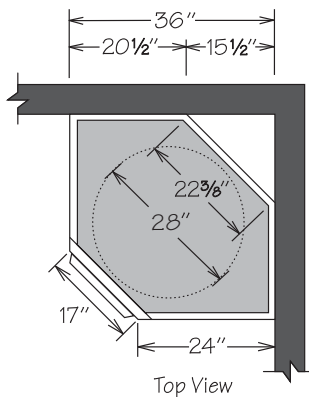
PLASTIC SPIN UNIT

- Hinged left and can be reversed in the field
- Sides are finished
- Cabinet requires a minimum of 34" to fit through doorway
- Additional space recommended if appliance is installed on the hinge side of this cabinet for proper door operation
- Cabinet features solid top
- Wood Spin Units feature:
 - » One fixed spin unit mounted on cabinet floor
 - » One spin unit attached to 3/4" adjustable shelf
 - » Natural wood finish with 1" lip
- Plastic Spin Units feature:
 - » Two spin shelves with pole (top shelf adjustable)
 - » White high strength plastic shelves

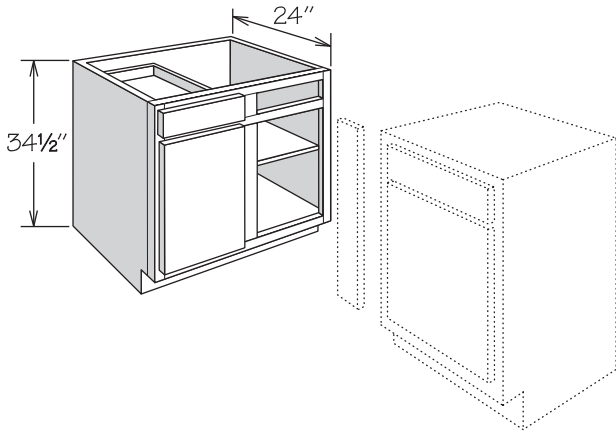
AH
APC
FE
PE

WOOD SPIN UNIT
CBS36 WD

PLASTIC SPIN UNIT
CBS36



Blind Corner Base



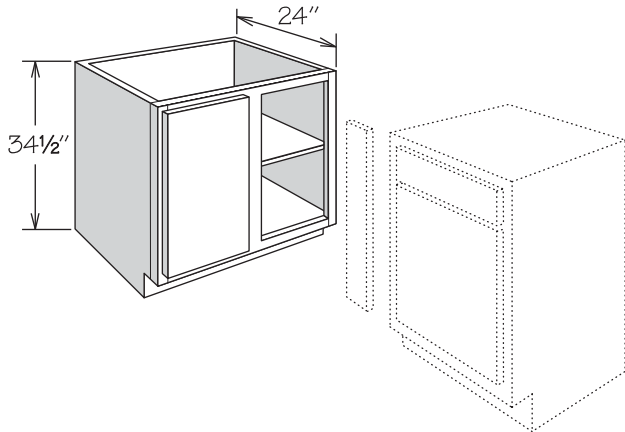
- Full-depth adjustable shelf
- Blind base door and drawer are installed in the left section
- Door and drawer can be reversed in the field as blind sections are identical
- Includes 1/8" panel to cover blind opening (field trim and install)
- Refer to the chart below for specifications
- Recessed Toe Kick Both Option (RTKB) available only
- Must order Universal Filler separately
- Center support for shelf provided (excluding BLB36/39)

AH
APC
CFO
FE
PE
RD
RTK

1 SHELF

BLB36/39
BLB39/42
BLB42/45
BLB45/48
BLB48/51

Full Height Blind Corner Base NEW! PRODUCT



- Full-depth adjustable shelf
- Center support for shelf provided
- Blind base door is installed in the left section
- Door can be reversed in the field as blind sections are identical
- Includes 1/8" panel to cover blind opening (field trim and install)
- Refer to the chart for specifications
- Recessed Toe Kick Both Option (RTKB) available only
- Must order Universal Filler separately

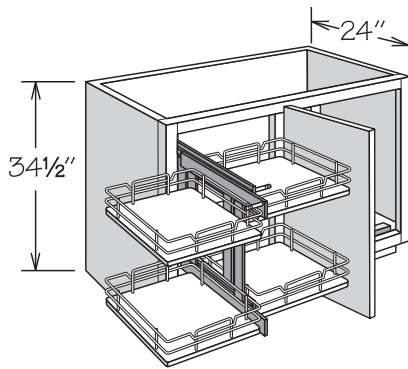
AH
APC
CFO
FE
PE
RD
RTK

1 SHELF

BLB45/48 FH
BLB48/51 FH

Blind Corner Base - Pull Out Kit

NEW! PRODUCT



- Full-height door
- Blind base door is installed in the left section
- Door and Pull-Out Kit can be reversed in the field as blind sections are identical
- Includes 1/8" panel to cover blind opening (field trim and install)
- Refer to the Blind Corner Base Installation Chart for specifications
- Recessed Toe Kick Both Option (RTKB) available only
- Pull out kit:
 - » Features two-tiered organizer with four chrome finish wire shelves and engineered wood bottoms with woodgrain look
 - » Features full-extension, 100-pound rated glides
 - » Packaged separately for field installation
 - » Mounts to cabinet floor
- Unit requires 19 1/4" of clearance in front of cabinet to pull the unit out, and 12 1/2" of side clearance to slide the unit over
- Baskets are able to be repositioned to allow clearance of deeper adjacent objects up to 26"

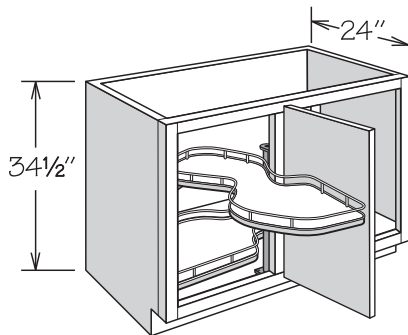
AH
APC
FE
PE
RTK

PULL OUT KIT

[BLB45/48 FH POK](#)
[BLB48/51 FH POK](#)

Blind Corner Base - Swing Out Kit

NEW! PRODUCT



Left Shown

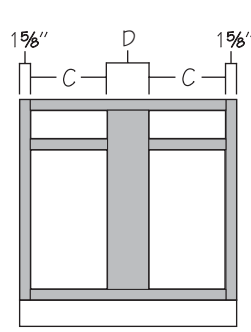
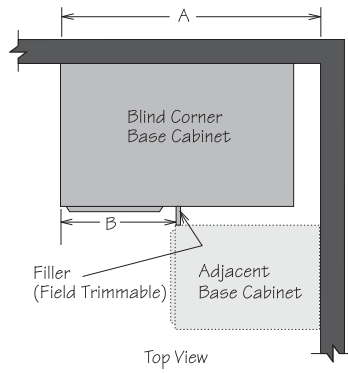
- Full-height door
- Features Furniture Ends standard
- Blind base door is installed in the left section
- Door can be reversed in the field as blind sections are identical, kit is not reversible and must be ordered as left or right
- Includes 1/8" panel to cover blind opening (field trim and install)
- Refer to the Blind Corner Base Installation Chart for specifications
- Recessed Toe Kick Both Option (RTKB) available only
- Pull out kit:
 - » Must be ordered left or right
 - » Features two-tiered organizer with two chrome finish wire shelves and engineered wood bottoms with woodgrain look
 - » Supports up to 45 pounds per shelf
 - » Packaged separately for field installation
 - » Mounts to cabinet side panel and telescopic pole (included)

AH
APC
RTK

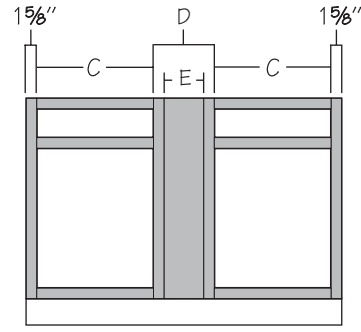
SWING OUT KIT

[BLB45/48 FH SOKL](#)
[BLB45/48 FH SOKR](#)
[BLB48/51 FH SOKL](#)
[BLB48/51 FH SOKR](#)

Blind Corner Base Installation Chart



BLB36/39 - BLB45/48



BLB45/48 FH, BLB48/51, BLB48/51 FH

Full Overlay Door Styles

Full Overlay door styles require decorative hardware, which has been calculated into dimensions.

*Dimension requirements do not include optional Overlay Fillers - add 7/8" if Overlay Fillers will be used, except for BLB48/51 add 1/2".

Cabinet	Actual Cabinet Width	Wall Space A			Exposed Frame B		C Door Opening	Door(s)	D	E
		Minimum Space*	Maximum Pull	Maximum Space	Minimum Space*	Maximum Space				
BLB36/39	27"	38 3/4"	1 3/4"	40"	14 1/4"	16"	8 3/4"	DR1224	6 1/4"	-
BLB39/42	33"	41 1/4"	1 3/4"	43"	17 1/4"	19"	11 3/4"	DR1524	6 1/4"	-
BLB42/45	39"	44 1/4"	1 3/4"	46"	20 1/4"	22"	14 3/4"	DR1824	6 1/4"	-
BLB45/48	45"	47 1/4"	1 3/4"	49"	23 1/4"	25"	17 3/4"	DR2124	6 1/4"	-
BLB45/48 FH	45"	47 1/4"	1 3/4"	49"	23 1/4"	25"	17 3/4"	DR21FH	6 1/4"	3"
BLB48/51	48"	48"	4"	52"	24"	28"	17 3/4"	DR2124	9 1/4"	6"
BLB48/51 FH	48"	48"	4"	52"	24"	28"	17 3/4"	DR21FH	9 1/4"	6"

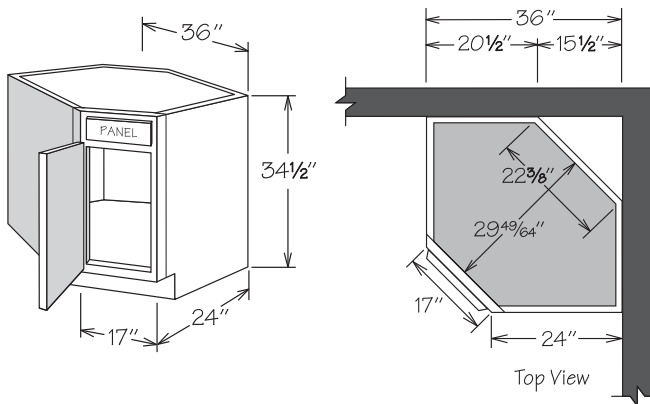
Partial Overlay Door Styles

Wall Space A requirements include optional decorative hardware clearance.

1 1/4" may be deducted if decorative hardware is not used.

Cabinet	Actual Cabinet Width	Wall Space A			Exposed Frame B		C Door Opening	Door(s)	D	E
		Minimum Space	Maximum Pull	Maximum Space	Minimum Space	Maximum Space				
BLB36/39	27"	37 3/8"	2 5/8"	40"	13 3/8"	16"	8 3/4"	DR1224	6 1/4"	-
BLB39/42	33"	40 3/8"	2 5/8"	43"	16 3/8"	19"	11 3/4"	DR1524	6 1/4"	-
BLB42/45	39"	43 3/8"	2 5/8"	46"	19 3/8"	22"	14 3/4"	DR1824	6 1/4"	-
BLB45/48	45"	46 3/8"	2 5/8"	49"	22 3/8"	25"	17 3/4"	DR2124	6 1/4"	-
BLB45/48 FH	45"	46 3/8"	2 5/8"	49"	22 3/8"	25"	17 3/4"	DR2130	6 1/4"	3"
BLB48/51	48"	48"	4"	52"	24"	28"	17 3/4"	DR2124	9 1/4"	6"
BLB48/51 FH	48"	48"	4"	52"	24"	28"	17 3/4"	DR2130	9 1/4"	6"

Corner Sink Base - 1 Door

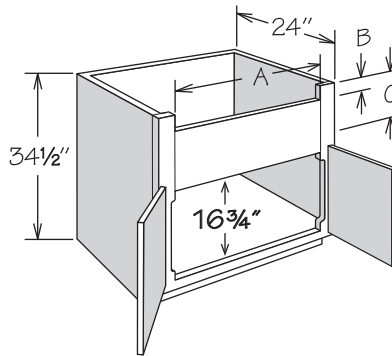


- No shelf
- Sides are finished
- Cabinet requires a minimum of 34" to fit through doorway
- Additional space recommended if appliance is installed on either side of this cabinet for proper appliance door operation
- Cabinet features solid top which must be field cut for sink installation as per manufacturer's specifications
- Maximum sink width is 22 3/4" if cut out is 4" back from face of front frame
- Refer to sink manufacturer's specifications for adequate clearance and required installation materials
- Touch Up Kit included

AH
APC
FE
PE

CSB36

Deep Sink/Range Base - 2 Butt Doors

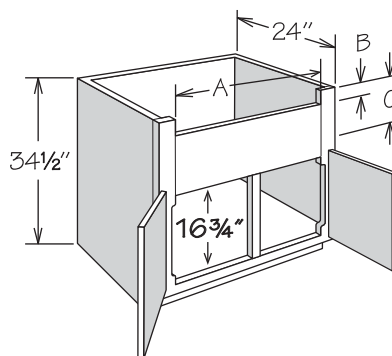


- No shelf
- Accommodates farm sinks
- Apron stiles are 3/8" wide and trimmable
- A cutout exists in the door area where the 3/8" stiles are routed to 1/8"
- Refer to sink or appliance manufacturer's specifications for adequate clearance and required installation materials
- Touch Up Kit included

AH
APC
FE
PE
RD
RTK

	A-MIN.	A-MAX.	B	C-MAX FOL	C-MAX POL
DSB30 BUTT	23 3/4"	28"	2 7/8"	10"	10 1/2"
DSB33 BUTT	26 3/4"	31"	2 7/8"	10"	10 1/2"
DSB36 BUTT	29 3/4"	34"	2 7/8"	10"	10 1/2"

Deep Sink/Range Base - 2 Doors

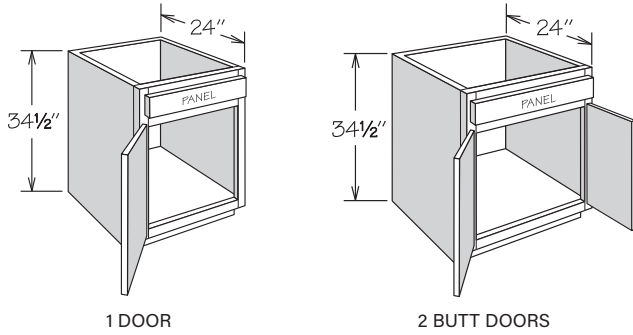


- No shelf
- Accommodates farm sinks
- Apron stiles are 3/8" wide and trimmable
- A cutout exists in the door area where the 3/8" stiles are routed to 1/8"
- Refer to sink or appliance manufacturer's specifications for adequate clearance and required installation materials
- Touch Up Kit included

AH
APC
FE
PE
RD
RTK

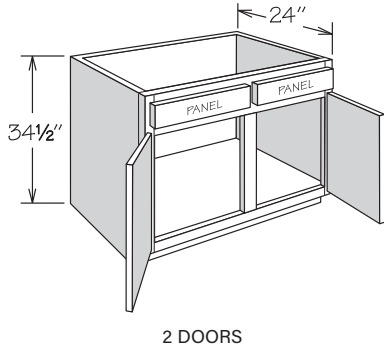
	A-MIN.	A-MAX.	B	C-MAX FOL	C-MAX POL
DSB39	32 3/4"	37"	2 7/8"	10"	10 1/2"

Sink/Cooktop Base

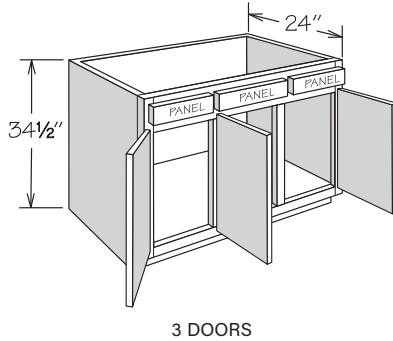


1 DOOR

2 BUTT DOORS



2 DOORS



3 DOORS

- No shelf
- Full-height back
- Subtract 1/2" from width and depth for available sink bowl opening
- Refer to sink or appliance manufacturer's specifications for adequate clearance and required installation materials
- Touch Up Kit included
- Single door cabinets are hinged left and can be reversed in the field

AH
APC
FE
PE
RD
RTK

1 DOOR

SB18
SB21
SB24

2 BUTT DOORS

SB24 BUTT
SB27 BUTT
SB30 BUTT
SB33 BUTT
SB36 BUTT

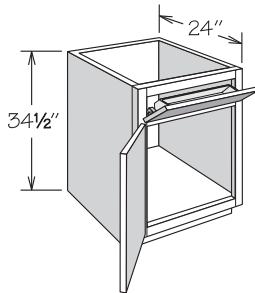
2 DOORS

SB39
SB42
SB48

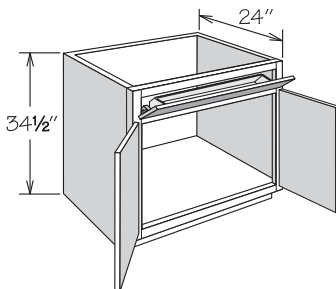
3 DOORS

SB45

Sink Base • 1 Tilt-Out Tray



1 DOOR



2 BUTT DOORS

- No shelf
- Full-height back
- Subtract 1/2" from width and 3/4" from depth for available sink bowl opening
- Tilt-Out Trays are NOT dishwasher safe
- Refer to sink manufacturer's specifications for adequate clearance and required installation materials
- Touch Up Kit included
- Single door cabinets are hinged left and can be reversed in the field

AH
APC
FE
PE
RD
RTK

1 DOOR

Stainless
SB18 STO
SB21 STO
SB24 STO

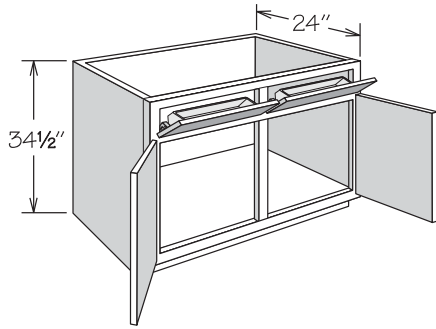
Plastic
SB18 TO
SB21 TO
SB24 TO

2 BUTT DOORS

Stainless
SB24 BUTT STO
SB27 BUTT STO
SB30 BUTT STO
SB33 BUTT STO
SB36 BUTT STO

Plastic
SB24 BUTT TO
SB27 BUTT TO
SB30 BUTT TO
SB33 BUTT TO
SB36 BUTT TO

Sink Base • 2 Tilt-Out Trays



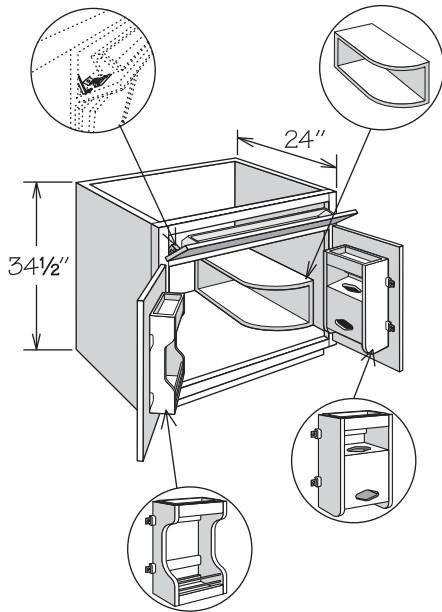
- No shelf
- Full-height back
- Subtract 1/2" from width and 3/4" from depth for available sink bowl opening
- Tilt-Out Trays are NOT dishwasher safe
- Refer to sink manufacturer's specifications for adequate clearance and required installation materials
- Touch Up Kit included

AH
APC
FE
PE
RD
RTK

2 DOORS

Stainless	Plastic
SB39 STO	SB39 TO
SB42 STO	SB42 TO
SB48 STO	SB48 TO

Sink Base Multi-Storage Cabinet



- Full-height back
- Features factory installed Sink Base Door Storage Unit on left door, Plastic Bag Door Storage Unit on right door
- Features one Stainless Tilt-Out Tray
- Sink Base Multi-Storage Shelf (SBMSS) shipped separately for field installation left or right
- Sink Base Multi-Storage Shelf measures 8 7/16" wide x 8" high x 17 1/2" deep
- Subtract 1/2" from width and 3/4" from depth for available sink bowl opening
- Tilt-Out Trays and Door Storage Unit trays are NOT dishwasher safe
- Refer to sink manufacturer's specifications for adequate clearance and required installation materials
- Touch Up Kit included

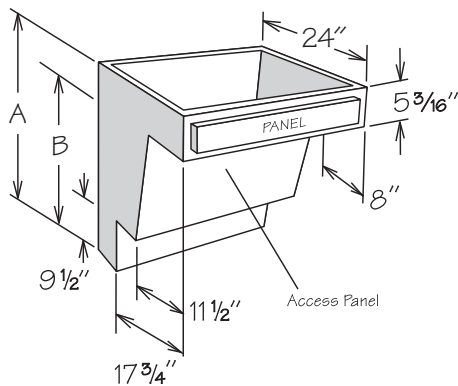
AH
APC
FE
PE
RTK

2 BUTT DOORS

SBMS30 BUTT STO
SBMS36 BUTT STO

Sink Base • Base Plumbing Skirt

NEW! **SIZES**

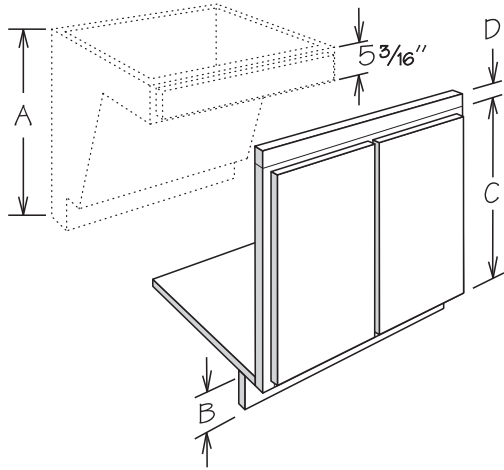


- Removable front access panel
- Features plywood sides
- Subtract 1/2" from width and depth for available sink bowl opening
- Maximum available height inside cabinet for sink bowl is 5"
- Water lines, drains, and P-Trap must be installed at 6" maximum from wall
- Refer to sink manufacturer's specifications for adequate clearance and required installation materials
- Matching toe kick included
- Must be installed between two cabinets or a cabinet and a wall
- May be used with Adaptable Sink Base Kit (ASB) - order separately

APC
FE

	A	B
32 1/2" High		
BPS30 UD	32 1/2"	27 5/16"
BPS36 UD	32 1/2"	27 5/16"
34 1/2" High		
BPS3034 UD	34 1/2"	29 5/16"
BPS3634 UD	34 1/2"	29 5/16"

Adaptable Sink Base Kit NEW! PRODUCT



- For use with Base Plumbing Skirt (BPS) - MUST be ordered separately
- Kit contains:
 - » Face frame with hinged butt doors
 - » One Tall Filler (S3S396)
 - » Two Drawer Fasteners (DDF FASTENER)
 - » One Sink Floor (FL36)
 - » One Hardwood Cleat (HWC 2X4X96)
 - » Installation instructions
- Kit must be assembled in the field
- Features CushionClose hinges standard

A BPS	B DESIRED TOE KICK HEIGHT	C FACE FRAME HEIGHT	D TRIMMED S3S	KIT
32 1/2"	2"	24 1/2"	13/16"	ASB_34 KIT
32 1/2"	4"	20 5/8"	2 1/16"	ASB_32 KIT
34 1/2"	4"	24 1/2"	13/16"	ASB_34 KIT

20 5/8" Frame

[ASB3032 KIT](#)

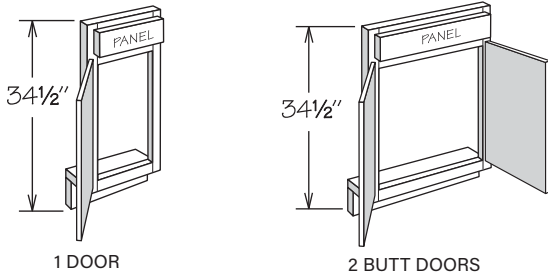
[ASB3632 KIT](#)

24 1/2" Frame

[ASB3034 KIT](#)

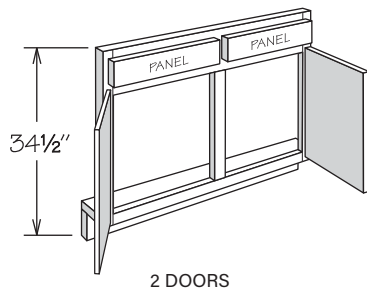
[ASB3634 KIT](#)

Sink/Cooktop Front

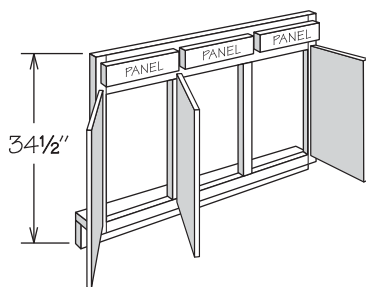


1 DOOR

2 BUTT DOORS



2 DOORS



3 DOORS

- SF45 is hinged as shown - can be reversed in the field
- Order floor and returns separately (field trimming may be required) - refer to Panel Section for availability (pages 162-163)

1 DOOR

SF12
SF15
SF18
SF21
SF24

2 BUTT DOORS

SF24 BUTT
SF27 BUTT
SF30 BUTT
SF33 BUTT
SF36 BUTT

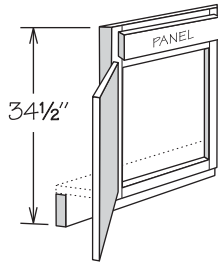
2 DOORS

SF39
SF42
SF48

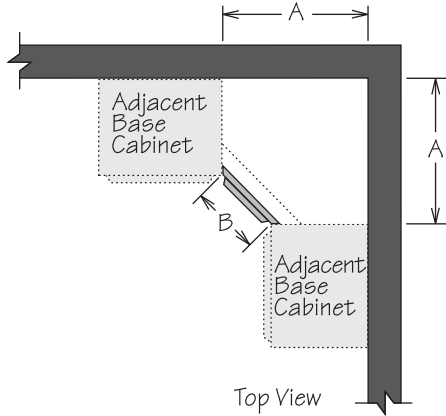
3 DOORS

SF45

Corner Sink Front

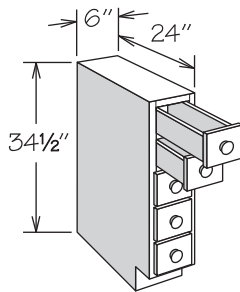


- Vertical edges of frame are mitered to attach to adjacent cabinet frames
- Order floor and returns separately (field trimming may be required) – refer to Panel Section for availability (pages 162-163)



	A	B
CSF36	35 ³¹ / ₃₂ "	16 ¹⁵ / ₁₆ "
CSF42	42 ¹¹ / ₃₂ "	25 ¹⁵ / ₁₆ "

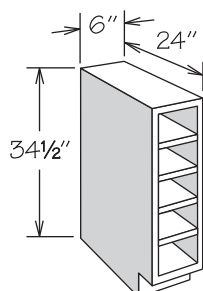
Base Spice Drawer Cabinet



- All door styles feature veneered engineered wood with exterior only finished to match cabinet box exterior
- Five individual full-depth drawers without glides
- Flush sides with no face frame or 1/4" reveals
- All wood drawer body with dovetail construction
- Wood door styles feature matching wood knobs
- Breeze, Linen and Pewter door styles feature white porcelain knobs
- Features 1/2" thick slab drawer fronts for all door styles

BSDC6

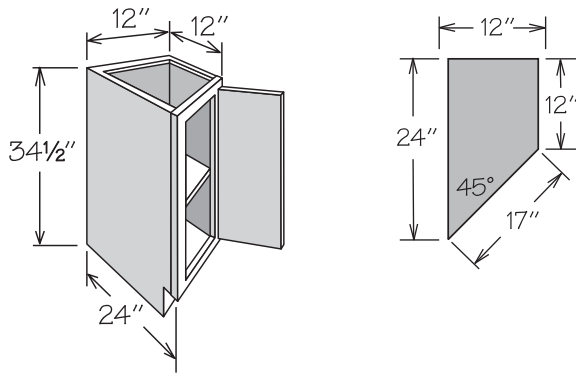
Base Wine Rack Cabinet



- All door styles feature veneered engineered wood with interior and exterior finished to match cabinet box exterior
- Accommodates five wine bottles (each opening measures: 5" high x 4 1/2" wide)
- 3/4" sides and shelves
- Flush sides with no face frame or 1/4" reveals
- Cannot be retrofitted with Base Spice drawers

BWRC6

Base End Angle - 1 Door



BEA12R FH is shown

- Full-height door
- Full-depth adjustable shelf
- Only available with RD-23 through RD-18
- Recessed Toe Kick Option (RTK) only available on 12" side
- Cabinet dimensions are for reference purposes ONLY - countertop must be measured and fabricated after cabinet installation

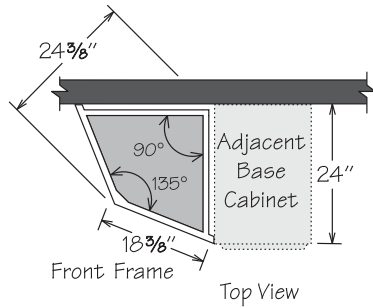
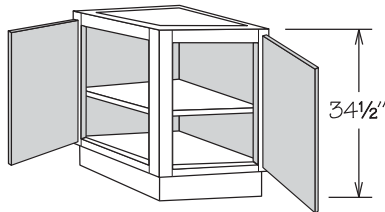
AH
FE
RD
RTK

1 SHELF

BEA12L FH
BEA12R FH

Base End Angle - 2 Doors

NEW! UPDATE

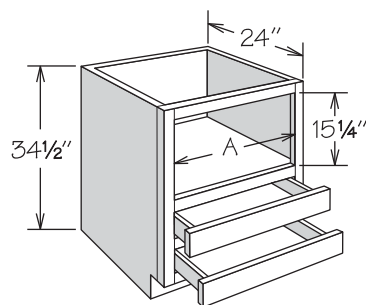


- **Update:** Cabinet now features a solid top
- Full-depth adjustable shelf
- Requires 24" x 24" space
- Cabinet dimensions are for reference purposes ONLY - countertop must be measured and fabricated after cabinet installation

1 SHELF

BEA24 FH

Base Microwave Cabinet - 2 Drawers



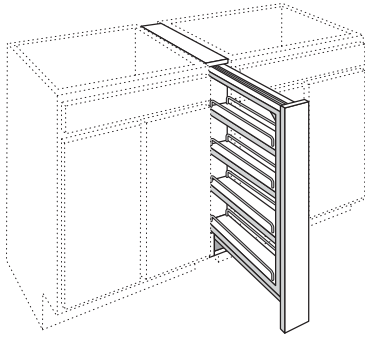
- Microwave opening finished to match cabinet box exterior
- Designed to accommodate countertop style microwave
- Features two standard depth drawers
- Accent molding recommended (order separately)
- Refer to appliance manufacturer's specifications for adequate clearances

AH
FE
RD
RTK

A

BMC24	20 3/4"
BMC27	23 3/4"
BMC30	26 3/4"

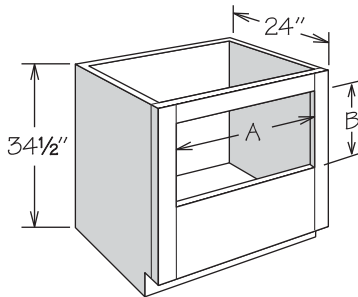
Base Filler Pull-Out



- Must be installed between two base cabinets behind the face frame in 3" (BFP3) or 6" (BFP6) of floor space
- Cannot be installed next to an appliance or at the end of a run
- No side panels or toe kick
- Filler shipped unattached for field installation
- An overlay filler is recommended for full overlay door styles (order separately)
- Two fixed and two adjustable wood shelves with chrome rails
- Decorative hardware strongly recommended

	SHELF WIDTH
BFP3	2 1/8"
BFP6	4 3/4"

Base Oven Cabinet Universal



- Designed for mounting single oven below countertop
- 3" top rail is field removable and field trimmable
- 3 1/8" stiles
- Will accommodate certain cooktops (in conjunction with under-counter oven) or drop-in ranges
- Most ovens require a top rail of varying heights to create a finished look and clear the countertop overhang
- Refer to appliance manufacturer's specifications for adequate clearances and required installation materials

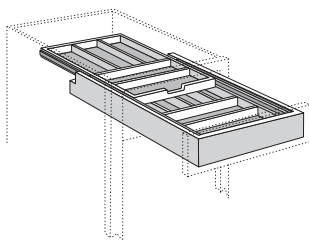
AH
FE
RD
RTK

	A-MIN.	A-MAX.	B-MIN.	B-MAX.*
BOCU27	20 3/4"	24 15/16"	18 1/4"	29"
BOCU30	23 3/4"	27 15/16"	18 1/4"	29"
BOCU33	26 3/4"	30 15/16"	18 1/4"	29"

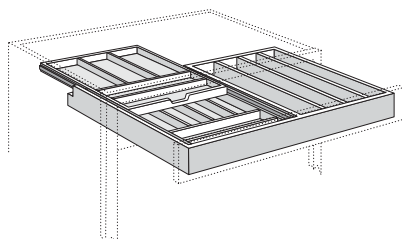
*Trimming/removal of top rail required

Wood Tiered Cutlery Divider Kit

NEW! SIZES



18" Wide Shown



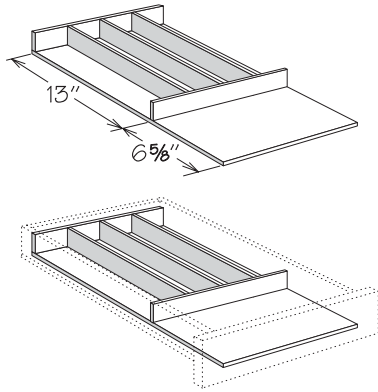
30" Wide Shown

- Available as factory installed for all door styles
- Field installed accessory replaces existing drawer box
- Glides are NOT included: reuse existing drawer glides
- Solid hardwood and plywood in natural finish
- Double-tiered cutlery divider slides independently from drawer
- Can be installed in cabinets with single drawer or side-by-side drawer configurations
- Not sized to fit cabinets with Reduced Depth Option
- Not field trimmable

WIDTH	UPPER SECTIONS	LOWER SECTIONS	COOKING UTENSIL SECTIONS
WTCDKFD15	5	5	-
WTCDKFD18	5	6	-
WTCDKFD21	6	7	-
WTCDKFD24	7	7	-
WTCDKFD30	5	5	4
WTCDKFD36	5	5	5

Cutlery Divider Kit

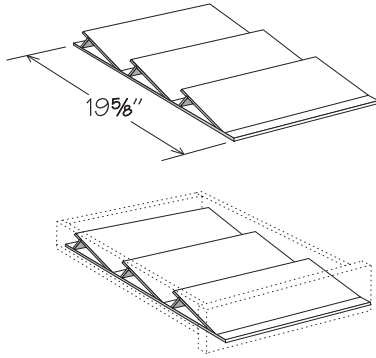
NEW! SIZES



- Available as factory installed for all doors styles
- Field installation accessory
- Solid hardwood and plywood in natural finish
- Not sized to fit cabinets with Reduced Depth Option
- Not field trimmable

	NUMBER OF SECTIONS	WIDTH
CDAK15	4	9 ³ / ₄ "
CDAK18	5	12 ³ / ₄ "
CDAK21	6	15 ³ / ₄ "
CDAK24	6	18 ³ / ₄ "
CDAK30	7	24³/₄"
CDAK36	8	30³/₄"

Spice Drawer Insert Kit

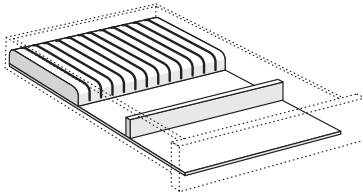


- Available as factory installed for all doors styles
- Field installation accessory
- Solid hardwood and plywood in natural finish
- Accommodates most spice containers (not included)
- Not sized to fit cabinets with Reduced Depth Option
- Not field trimmable

	WIDTH
SDIAK15	9 ³ / ₄ "
SDIAK18	12 ³ / ₄ "
SDIAK21	15 ³ / ₄ "
SDIAK24	18 ³ / ₄ "

Knife Block Drawer Insert Kit

NEW! PRODUCT

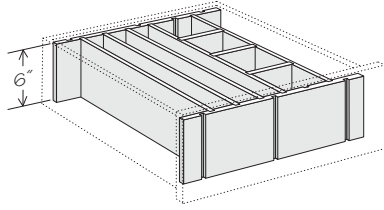


- Field installation accessory
- Solid hardwood in natural finish
- Features knife slots with hilt rest for easy knife removal
- Not sized to fit cabinets with Reduced Depth Option

	NUMBER OF KNIFE SLOTS	WIDTH
KBDIK15	10	9 ³ / ₄ "
KBDIK18	13	12 ³ / ₄ "
KBDIK21	16	15 ³ / ₄ "
KBDIK24	19	18 ³ / ₄ "

Adjustable Drawer Divider Kit

NEW! PRODUCT

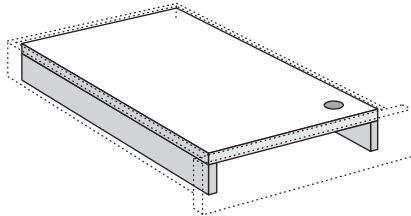


- Field installation accessory
- For use in large drawers only
- Can be field trimmed in width and depth to accommodate 21" - 36" wide drawers and cabinets with the Reduced Depth Option
- Kit includes:
 - » Front and back panels with grooves
 - » Vertical dividers - two are grooved to accept horizontal dividers
 - » Horizontal dividers
 - » Installation screws

	NUMBER OF VERTICAL DIVIDERS	NUMBER OF HORIZONTAL DIVIDERS
ADDIK21/24	3	3
ADDIK27/30	5	3
ADDIK33/36	6	3

Drawer Work Surface

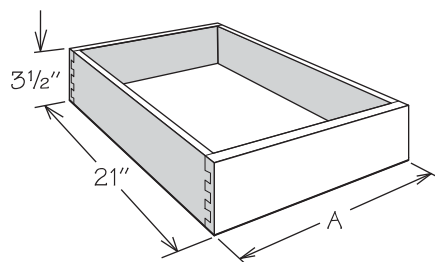
NEW! PRODUCT



- Field installation accessory
- Work surface only - not to be used as a cutting board
- Workboard sits on wooden supports to flush out top of drawer
- Not sized to fit cabinets with Reduced Depth Option

DWS21

Deep Roll Out Tray Kit

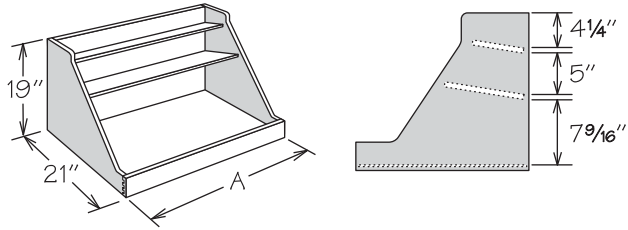


- Field installation accessory
- Natural finish dovetail drawer with engineered wood bottom
- Includes tray, all glide hardware and installation instructions
- DROT drill template is required for all two door cabinets that have a center stile - contact Customer Care for drill template

RD

SINGLE DEEP ROLL OUT TRAY KIT	4 PACK DEEP ROLL OUT TRAY KIT	A
DROT12	DROT12-4K	7 3/4"
DROT15	DROT15-4K	10 3/4"
DROT18	DROT18-4K	13 3/4"
DROT19	-	15 1/4"
DROT21	DROT21-4K	16 3/4"
DROT24	DROT24-4K	19 3/4"
DROT27	DROT27-4K	22 3/4"
DROT30	DROT30-4K	25 3/4"
DROT33	DROT33-4K	28 3/4"
DROT36	DROT36-4K	31 3/4"

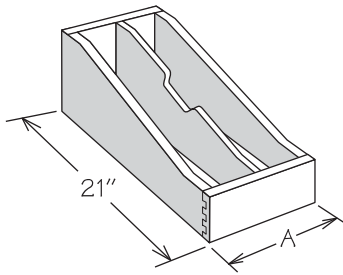
Base Pot & Pan Organizer Kit



- Field installation accessory
- Organizer features natural finish solid wood, wood veneer and dovetail (front only) construction with engineered wood bottom
- Top shelf of organizer measures 6 3/8" deep
- Middle shelf of organizer measures 9 3/4" deep
- Not sized to fit reduced depth cabinets

	A	BASE CABINET SIZE	OVEN CABINET SIZE
BPPOK24	19 3/4"	24"	27"
BPPOK27	22 3/4"	27"	30"
BPPOK30	25 3/4"	30"	33"
BPPOK33	28 3/4"	33"	—
BPPOK36	31 3/4"	36"	—

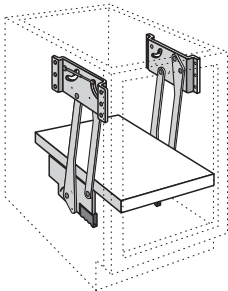
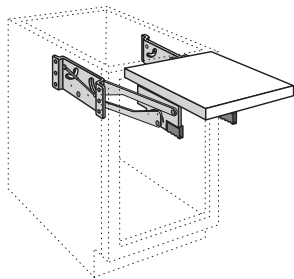
Roll-Out Tray Divider Kit



- Field installation accessory
- Natural finish solid wood and wood veneer and dovetail (front only) construction with engineered wood bottom
- ROTDK12 features two compartments (one partition)
- ROTDK15 features three compartments (two partitions)
- Partition(s) are field installed
- Not sized to fit reduced depth cabinets

	A	CABINET SIZE
ROTDK12	7 3/4"	12"
ROTDK15	10 3/4"	15"

Base Mixer Lift Kit NEW! PRODUCT

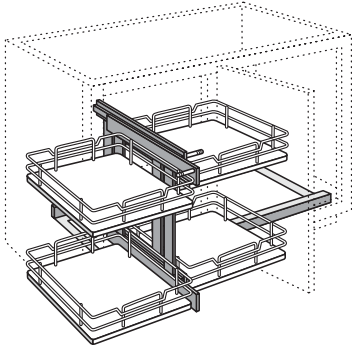


- Field installation accessory
- Includes 1 3/8" thick natural finish solid wood shelf and one pair of shock dampening, adjustable tension lifts
- Cannot be used with Deep Roll Out Trays or adjustable shelf
- Supports up to 60 pounds
- Mounts to cabinet side panels
- Not sized to fit cabinets with Reduced Depth Option
- For use with B18 FH with Furniture Ends Option

BMLK18

Blind Base Pull Out Kit

NEW! PRODUCT

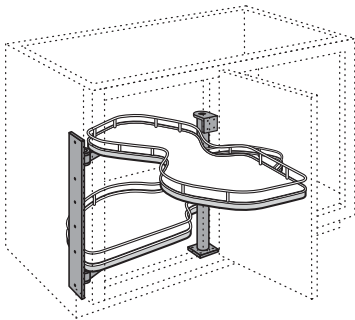


- Field installation accessory
- Can be reversed for left or right installation
- Two-tiered organizer features four chrome finish wire shelves with engineered wood bottoms with woodgrain look
- Features full-extension 100-pound rated glides
- For use with BLB45/48 FH or BLB48/51 FH
- Mounts to cabinet floor
- Not sized to fit cabinets with Reduced Depth Option
- Unit requires 19¼" of clearance in front of cabinet to pull the unit out, and 12½" of side clearance to slide the unit over
- Baskets are able to be repositioned to allow clearance of deeper adjacent objects up to 26"

BLBP0K45

Blind Base Swing Out Kit

NEW! PRODUCT

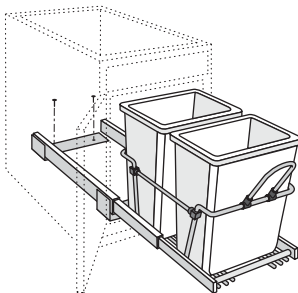


Left Shown

- Field installation accessory
- Kit is not reversible and must be ordered as left or right
- Two-tiered organizer features two chrome finish wire shelves with engineered wood bottoms with woodgrain look
- Supports up to 45 pounds per shelf
- For use with BLB45/48 FH or BLB48/51 FH with the Furniture Ends Option
- Mounts to cabinet side panel and telescopic pole (included)
- Not sized to fit cabinets with Reduced Depth Option

BLBSOK45L
BLBSOK45R

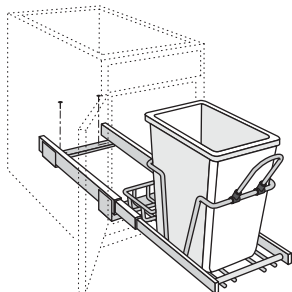
Base Recycling Kit



- Field installation accessory
- Features two white 27 quart plastic bins, one chrome wire rack and glides
- Not available with CushionClose glides
- Mounts in B18 (14¾") or wider cabinet opening
- Unit measures 11⅝" wide x 19⅞" high x 22¾" deep
- Not sized to fit cabinets with Reduced Depth Option

BR2B15

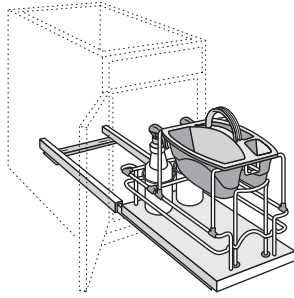
Wastebasket Unit



- Field installation accessory
- Features one white 35 quart plastic bin, chrome wire rack with storage bin and glides
- Not available with CushionClose glides
- Mounts in B15 (11¾") or wider cabinet opening
- Unit measures 10⅝" wide x 19¼" high x 22" deep
- Not sized to fit cabinets with Reduced Depth Option

WBU15

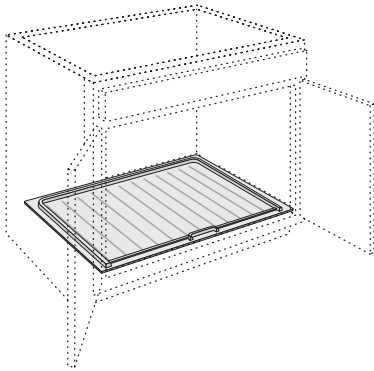
Cleaning Caddy Pullout Kit **NEW!** PRODUCT



- Field installation accessory
- Features metal and wire pull out organizer with two 1L spray bottles and one removable gray cleaning caddy
- Unit is configurable so that spray bottles can be installed at the front or back
- Supports up to 75 pounds
- For use with 15" or wider base cabinet
- Mounts to cabinet floor
- For use in 24" deep cabinets or cabinets with RD-23 through RD-21

CCPOK

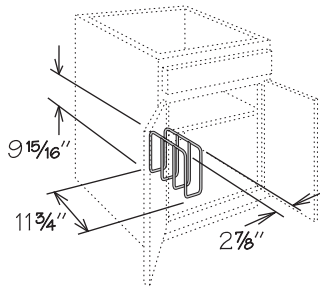
Sink Base Mat **NEW!** PRODUCT



- Field installation accessory
- Designed to funnel any leaks or spills out the front of the cabinet while protecting the cabinet floor
- Features flexible material in gray finish - easily trimmable
- Minor field trimming required for use in Deep Sink Base cabinets
- Not sized or trimmable to fit cabinets with Reduced Depth Option
- SBMAT39 is notched for center stile

SBMAT30
SBMAT33
SBMAT36
SBMAT39

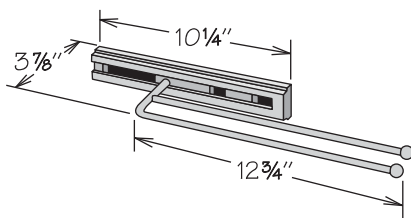
Cabinet Tray Divider



- Field installation accessory
- Chrome finish
- For use in 24" deep cabinets or cabinets with RD-23 through RD-14
- Mounting hardware included

TD3

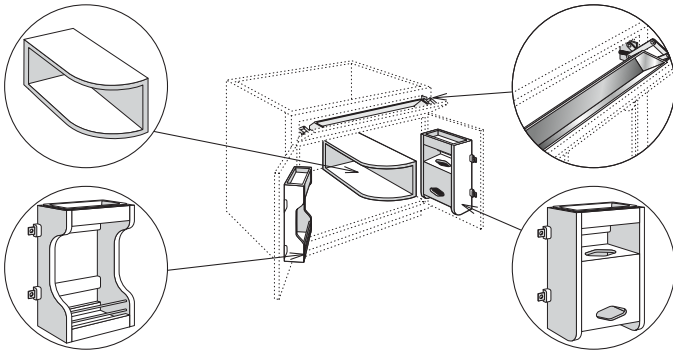
Sliding Towel Bar



- Field installation accessory
- Two chrome finish towel bars
- Mounts to cabinet side panel
- Pulls out 7" for easy access
- For use in 24" deep cabinets or cabinets with RD-23 through RD-14

STB

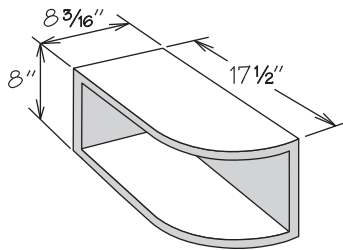
Sink Base Multi-Storage Kit



- Field installation accessory
- Not sized to fit cabinets with Reduced Depth
- Tilt-Out Trays and Door Storage Unit Trays are NOT dishwasher safe
- SBMS30 KIT for 30" sink base only and features:
 - » 15" Sink Base Door Storage Unit (SBDSU15)
 - » 15" Plastic Bag Door Storage Unit (PBDSU15)
 - » Sink Base Multi-Storage Shelf (SBMSS)
 - » One Stainless Tilt-Out Tray Kit (STO TRAY 22)
- SBMS36 KIT for 36" sink base only and features:
 - » 18" Sink Base Door Storage Unit (SBDSU18)
 - » 18" Plastic Bag Door Storage Unit (PBDSU18)
 - » Sink Base Multi-Storage Shelf (SBMSS)
 - » One Stainless Tilt-Out Tray Kit (STO TRAY 22)

SBMS30 KIT
SBMS36 KIT

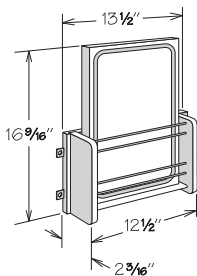
Sink Base Multi-Storage Shelf



- Field installation accessory
- 3/4" plywood with natural finish
- Invert for left or right installation

SBMSS

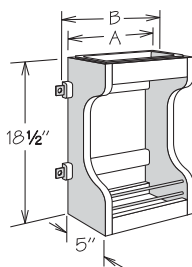
Cutting Board Door Rack Kit



- Field installation accessory
- Natural finish solid wood with chrome rails
- Cannot be used with Deep Roll Out Trays
- Full-depth shelf must be field trimmed to half-depth
- Solid wood cutting board is NOT dishwasher safe
- Cutting board measures 15^{15/16}" x 10^{3/16}" x 1^{3/16}"
- CBDRK18 mounts to 18" or 19" wide base door
- Not sized to fit Deep Sink Base (DSB) cabinet doors

CBDRK18

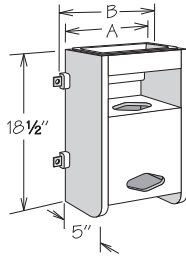
Sink Base Door Storage Unit



- Field installation accessory
- Natural finish solid wood
- Two fixed shelves
- Cannot be used with Deep Roll Out Trays
- Full-depth shelf must be field trimmed to half-depth
- Removable white plastic tray is NOT dishwasher safe
- SBDSU15 mounts to 15" or 16" wide base door
- SBDSU18 mounts to 18" or 19" wide base door
- Not sized to fit Deep Sink Base (DSB) cabinet doors

	A	B
SBDSU15	9"	10 1/2"
SBDSU18	10 1/2"	13 1/2"

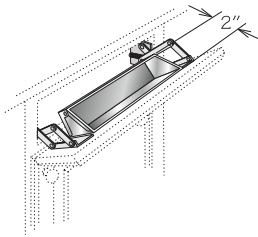
Plastic Bag Door Storage Unit



- Field installation accessory
- Natural finish solid wood and wood veneer
- Cannot be used with Deep Roll Out Trays
- Full-depth shelf must be field trimmed to half-depth
- Removable white plastic tray is NOT dishwasher safe
- PBDSU15 mounts to 15" or 16" wide base door
- PBDSU18 mounts to 18" or 19" wide base door
- Not sized to fit Deep Sink Base (DSB) cabinet doors

	A	B
PBDSU15	9"	10 1/2"
PBDSU18	10 1/2"	13 1/2"

Tilt-Out Tray Kit



- Field installation accessory
- Kit features tray and one pair of scissor hinges
- Order units individually
- TO TRAY 11 or STO TRAY 11:
 - » Order one unit for SB18
- TO TRAY 14 or STO TRAY 14:
 - » Order one unit for SB21, SB24, SB27 or CSF42
 - » Order two units for SB39, SB42 or SB48
- TO TRAY 22 or STO TRAY 22:
 - » Order one unit for SB30, SB33 or SB36
- Sink front units match sink base sizes as noted above
- Tilt-Out Trays are NOT dishwasher safe

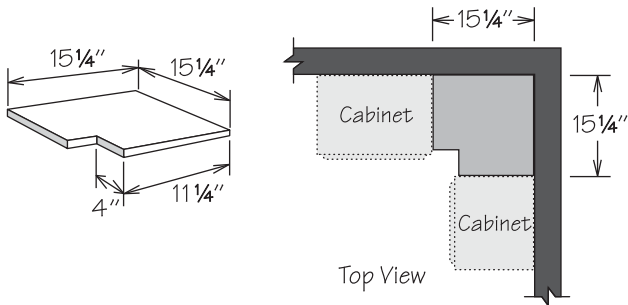
STAINLESS

STO TRAY 11
STO TRAY 14
STO TRAY 22

PLASTIC

TO TRAY 11
TO TRAY 14
TO TRAY 22

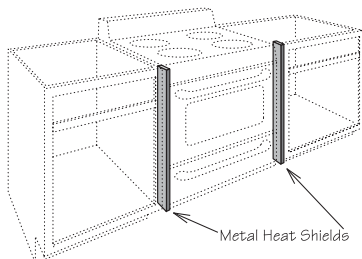
Blind Corner Closure



- Features 1/2" engineered wood with natural woodgrain finish on both sides
- Field trimmable

BLC1515

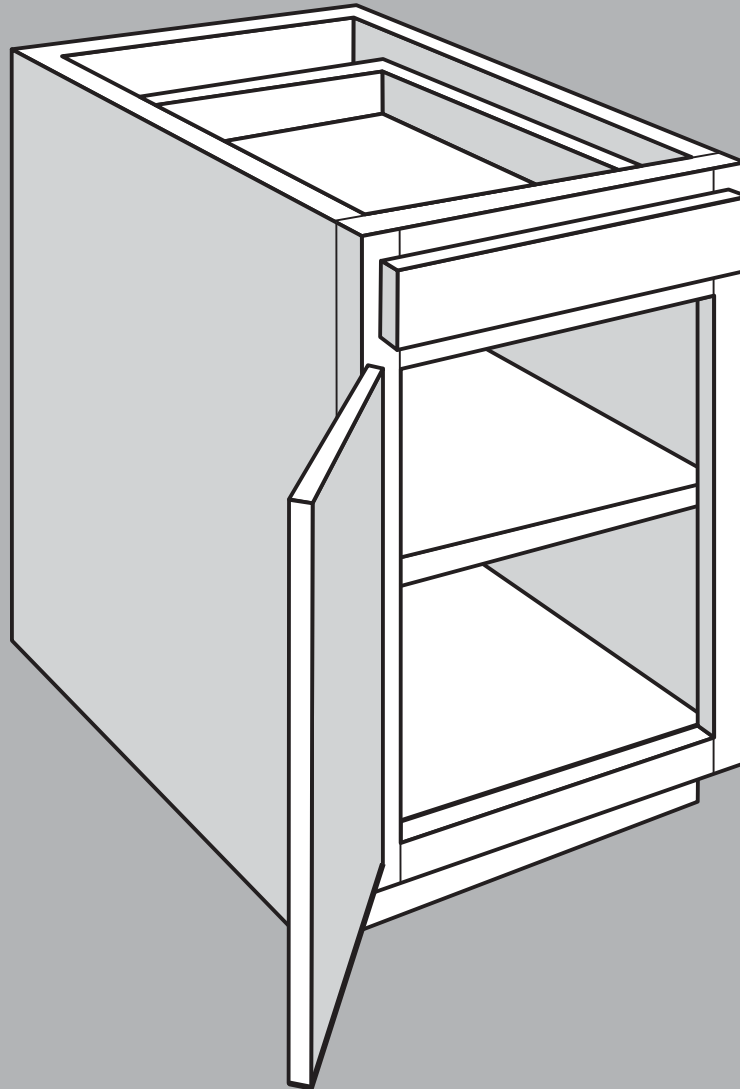
Heat Shield Kit



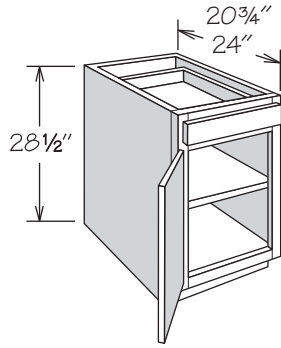
- Field installation accessory
- For use as heat shield on Edgeworth Duraform
- Protects doors and drawer fronts from adjacent heat source (built-in ovens, under counter ovens, drop-in or free-standing ranges)
- Kit features:
 - » Two 1/8" metal heat shields finished to match cabinet box exterior
 - » One strip of QM8 molding shield finished to match cabinet box exterior

HSK

Desk Cabinets & Bookshelves



Desk Cabinet • 1 Door and 1 Drawer



- One adjustable shelf
- May be accessorized with one Deep Roll Out Tray
- Deep Roll Out Tray must be mounted on cabinet floor

APC
CFO
FE
PE
RD
RTK

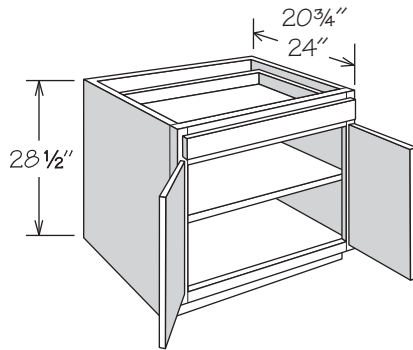
24" DEEP

DDO1224
DDO1524
DDO1824
DDO2124

21" DEEP

DDO1221
DDO1521
DDO1821
DDO2121

Desk Cabinet • 2 Butt Doors and 1 Drawer



- One adjustable shelf
- May be accessorized with one Deep Roll Out Tray
- Deep Roll Out Tray must be mounted on cabinet floor

APC
CFO
FE
PE
RD
RTK

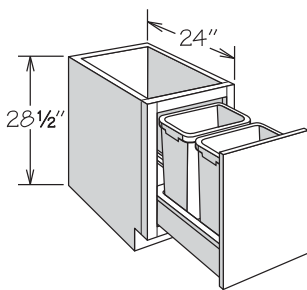
24" DEEP

DDO2424 BUTT

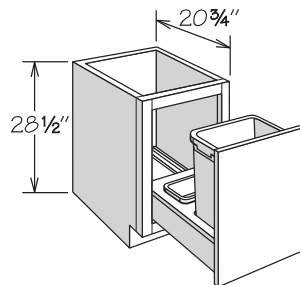
21" DEEP

DDO2421 BUTT

Desk Cabinet • 1 Door with Wastebasket Pull-Out



2 WASTEBASKETS



1 WASTEBASKET

- Full-height door
- Wastebasket rests in a natural finish wood frame
- Wastebasket pull-out features heavy-duty 132-pound rated glides
- DWBB1824 features two silver plastic 35-quart capacity bins
- DWBB1821 features one silver plastic 35-quart capacity bin and bag storage tray at rear (not dishwasher safe)
- Decorative hardware strongly recommended

APC
FE
PE
RTK

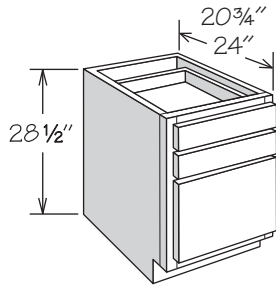
24" DEEP • 2 WASTEBASKETS

DWBB1824

21" DEEP • 1 WASTEBASKET

DWBB1821

Desk Drawer Cabinet • 3 Drawers



- One large and two standard drawers
- Large drawer cannot be used as a file drawer

APC
CFO
FE
PE
RD
RTK

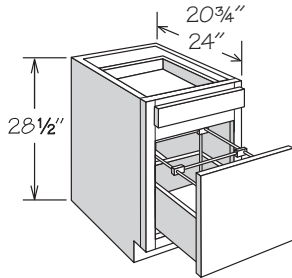
24" DEEP

DDR1224
DDR1524
DDR1824
DDR2124
DDR2424

21" DEEP

DDR1221
DDR1521
DDR1821
DDR2121
DDR2421

Desk Cabinet • 1 Drawer and Door with File Pull-Out



- One standard top drawer
- Features one natural finish wood drawer body attached to door pull-out
- File unit packaged separately for field installation
- Will accept letter or legal-size hanging files

APC
FE
PE
RTK

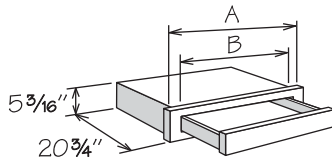
24" DEEP

DFDC1824

21" DEEP

DFDC1821

Kneehole Drawer Cabinet • 1 Drawer

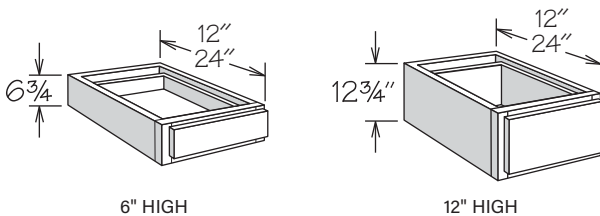


- Designed for desk or vanity application
- Field trimmable in height to 4 3/4"
- Field trimmable in depth to 18" or available with RD-20 through RD-12
- Drawer front complements door style - refer to door style section

RD

	A	B	MAX. TRIM
KDC27/21	27"	17 3/4"	21" (3" each side)
KDC33/27	33"	23 3/4"	27" (3" each side)
KDC36/33	36"	29 3/4"	33" (1 1/2" each side)

Furniture Drawer Cabinet • 1 Drawer



- 6" high features one standard drawer and 12" high features one large drawer
- 24" deep Furniture Drawer cabinets are only available with RD-23 through RD-13
- Bottom of cabinet frame must be fully supported

APC
CFO
FE
PE
RD ■

6" HIGH • 1 DRAWER

12" Deep

FD121206
FD151206
FD181206
FD211206
FD241206
FD271206
FD301206
FD331206
FD361206

24" Deep

FD122406 ■
FD152406 ■
FD182406 ■
FD212406 ■
FD242406 ■
FD272406 ■
FD302406 ■
FD332406 ■
FD362406 ■

12" HIGH • 1 DRAWER

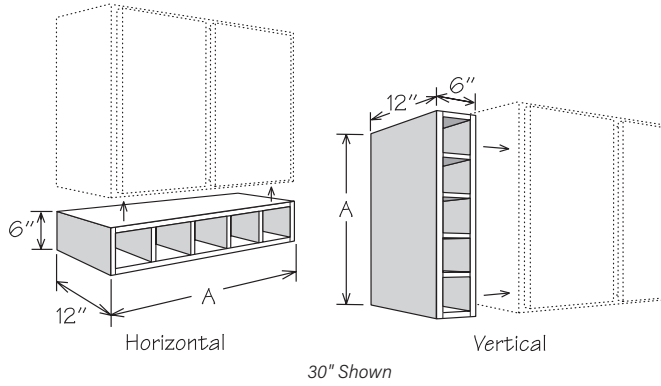
12" Deep

FD121212
FD151212
FD181212
FD211212
FD241212
FD271212
FD301212
FD331212
FD361212

24" Deep

FD122412 ■
FD152412 ■
FD182412 ■
FD212412 ■
FD242412 ■
FD272412 ■
FD302412 ■
FD332412 ■
FD362412 ■

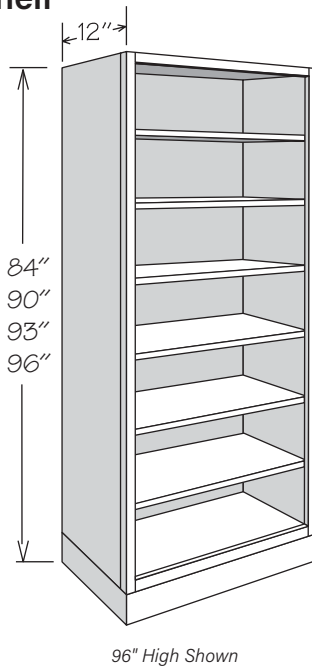
Storage Cube



- Vertical installation may require the use of fillers and/or molding which must be ordered separately
- Opening size is 5" wide x 4½" high (horizontal) which will accommodate most envelopes and various other office supplies
- All door styles features ¾" veneered engineered wood finished to match cabinet box exterior
- Flush sides with no face frame or ¼" reveals
- Interior finished to match cabinet box exterior
- Cannot be retrofitted with Spice Drawer Cabinet drawers

	A	NUMBER OF OPENINGS
SC30	30"	5
SC36	36"	6
SC42	42"	7

Tall Bookshelf



- All Plywood Construction standard
- Interior finished to match cabinet box exterior
- Flush furniture toe kick
- Toe kick shipped unattached for 93" and 96" high bookshelves
- Adjustable 23/32" plywood shelves finished to match cabinet box exterior included
- All shelving packaged separately for field installation

FE
ID
RD

12" DEEP

96"H • 6 Shelves

BSPLY1896
BSPLY2496
BSPLY3096
BSPLY3696

90"H • 6 Shelves

BSPLY1890
BSPLY2490
BSPLY3090
BSPLY3690

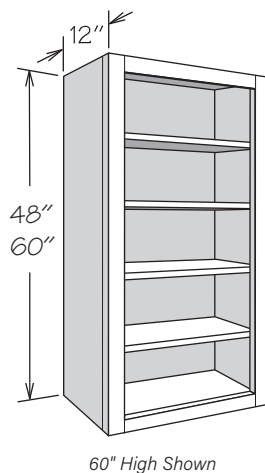
93"H • 6 Shelves

BSPLY1893
BSPLY2493
BSPLY3093
BSPLY3693

84"H • 5 Shelves

BSPLY1884
BSPLY2484
BSPLY3084
BSPLY3684

Wall Bookshelf



- All Plywood Construction standard
- Interior finished to match cabinet box exterior
- Adjustable 23/32" plywood shelves finished to match cabinet box exterior included
- All shelving packaged separately for field installation

FE
ID
RD

12" DEEP

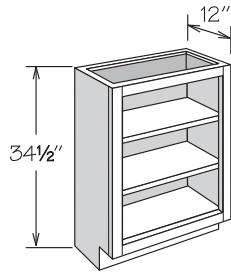
60"H • 4 Shelves

BSPLY1860
BSPLY2460
BSPLY3060
BSPLY3660

48"H • 3 Shelves

BSPLY1848
BSPLY2448
BSPLY3048
BSPLY3648

Base Bookshelf



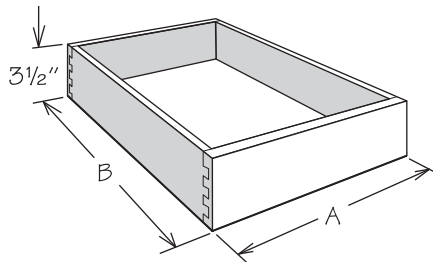
- All Plywood Construction standard
- Interior finished to match cabinet box exterior
- Two adjustable ²³/₃₂" plywood shelves finished to match cabinet box exterior included
- All shelving packaged separately for field installation

FE
ID
RD
RTK

12" DEEP

BSPLY2434

Deep Roll Out Tray Kit



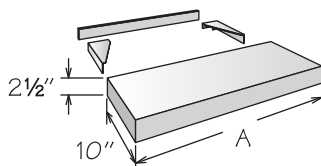
- Field installation accessory
- Natural finish dovetail drawer with engineered wood bottom
- Includes tray, all glide hardware and installation instructions
- DROT21 for use in 21" deep desk or vanity cabinets
- Contact customer care for drill template

RD

DEEP ROLL OUT TRAY KIT

	A	B
DROT12	7 3/4"	21"
DROT15	10 3/4"	21"
DROT18	13 3/4"	21"
DROT21	16 3/4"	21"
DROT24	19 3/4"	21"
DROT1221	7 3/4"	18"
DROT1521	10 3/4"	18"
DROT1821	13 3/4"	18"
DROT2421	19 3/4"	18"

Floating Shelf

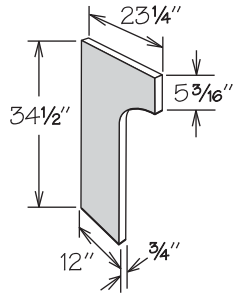


- Not trimmable
- Finished on all sides to match cabinet box exterior
- Constructed of engineered wood top and bottom and solid wood front and sides
- When installed between two cabinets, Furniture Ends (FE) are recommended for adjacent cabinets
- Must be secured to studs in wall
- Installation instructions, mounting brackets, and screws included

10" DEEP

	A	MAX. LOAD
FLSH2410	24"	30 lbs.
FLSH3010	30"	37 lbs.
FLSH3610	36"	45 lbs.
FLSH4210	42"	52 lbs.
FLSH4810	48"	60 lbs.

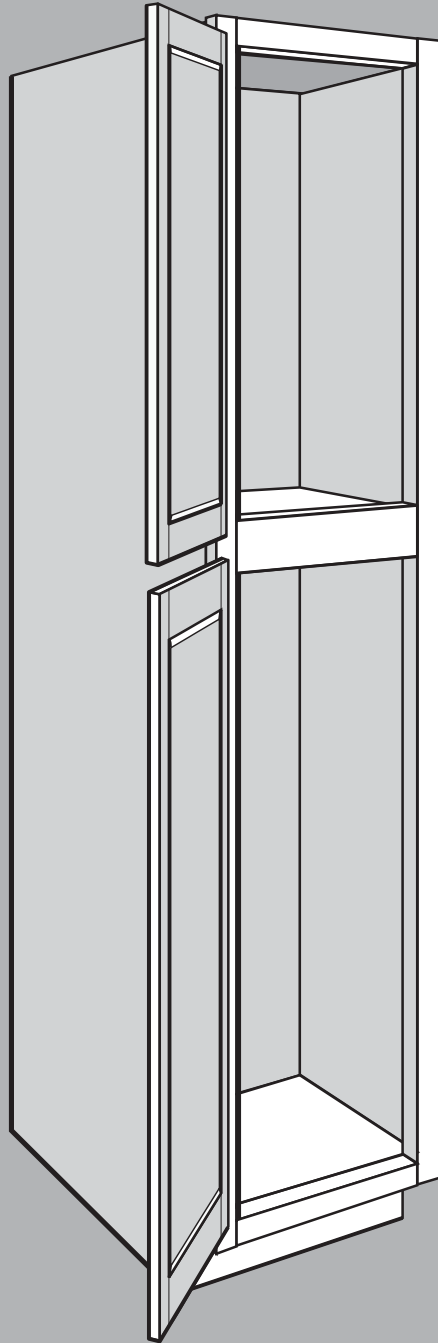
Desk End Panel



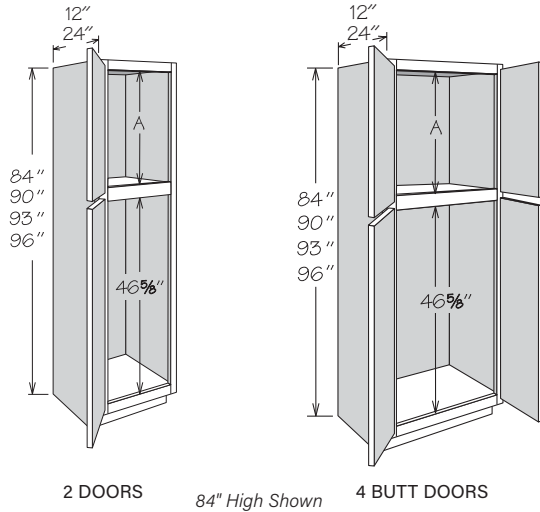
- Features 3/4" veneered engineered wood with both sides finished to match cabinet box exterior
- Recommend QM8 be ordered for installation to ensure proper attachment to wall
- Edge banded on front

34 1/2" HIGH
DEP

Tall Cabinets



Utility Cabinet



- Shelving and optional interior accessories may be ordered separately (refer to Utility Cabinet Accessories for details)
- Cabinet backs are pre-drilled to accept up to four Deep Roll Out Trays in lower section
- 4" inset toe kick assembly shipped inside 93" and 96" high cabinets, 33" wide x 93" high toe kicks ship as two pieces - seam will be visible between toe kick box and side of cabinet
- Two door cabinets must be ordered hinged left or right
- Specialty Door cabinets (SD) feature Matching Interior standard and require a specialty door selection
- Bottom doors will have a center rail for select door styles - refer to door style section

AH
APC
CFO
FE
MI ■
PE
RD

	A
84" High	26 ⁷ / ₈ "
90" High	32 ⁷ / ₈ "
93" High	35 ⁷ / ₈ "
96" High	38 ⁷ / ₈ "

2 DOORS • 12" DEEP

96" H

UT1212 X 96 ■
 UT1512 X 96 ■
 UT1812 X 96 ■
 UT2112 X 96 ■
 UT1212 X 96 SD
 UT1512 X 96 SD
 UT1812 X 96 SD
 UT2112 X 96 SD

93" H

UT1212 X 93 ■
 UT1512 X 93 ■
 UT1812 X 93 ■
 UT2112 X 93 ■
 UT1212 X 93 SD
 UT1512 X 93 SD
 UT1812 X 93 SD
 UT2112 X 93 SD

90" H

UT1212 X 90 ■
 UT1512 X 90 ■
 UT1812 X 90 ■
 UT2112 X 90 ■
 UT1212 X 90 SD
 UT1512 X 90 SD
 UT1812 X 90 SD
 UT2112 X 90 SD

84" H

UT1212 X 84 ■
 UT1512 X 84 ■
 UT1812 X 84 ■
 UT2112 X 84 ■
 UT1812 X 84 SD
 UT1212 X 84 SD
 UT1512 X 84 SD
 UT2112 X 84 SD

2 BUTT DOORS • 24" DEEP

96" H

UT1224 X 96 ■
 UT1524 X 96 ■
 UT1824 X 96 ■
 UT2124 X 96 ■
 UT1224 X 96 SD
 UT1524 X 96 SD
 UT1824 X 96 SD
 UT2124 X 96 SD

93" H

UT1224 X 93 ■
 UT1524 X 93 ■
 UT1824 X 93 ■
 UT2124 X 93 ■
 UT1224 X 93 SD
 UT1524 X 93 SD
 UT1824 X 93 SD
 UT2124 X 93 SD

90" H

UT1224 X 90 ■
 UT1524 X 90 ■
 UT1824 X 90 ■
 UT2124 X 90 ■
 UT1224 X 90 SD
 UT1524 X 90 SD
 UT1824 X 90 SD
 UT2124 X 90 SD

84" H

UT1224 X 84 ■
 UT1524 X 84 ■
 UT1824 X 84 ■
 UT2124 X 84 ■
 UT1224 X 84 SD
 UT1524 X 84 SD
 UT1824 X 84 SD
 UT2124 X 84 SD

4 BUTT DOORS • 12" DEEP

96" H

UT2412 X 96 BUTT ■
 UT2412 X 96 BUTT SD

93" H

UT2412 X 93 BUTT ■
 UT2412 X 93 BUTT SD

90" H

UT2412 X 90 BUTT ■
 UT2412 X 90 BUTT SD

84" H

UT2412 X 84 BUTT ■
 UT2412 X 84 BUTT SD

4 BUTT DOORS • 24" DEEP

96" H

UT2424 X 96 BUTT ■
 UT2724 X 96 BUTT ■
 UT3024 X 96 BUTT ■
 UT3324 X 96 BUTT ■
 UT3624 X 96 BUTT ■
 UT2424 X 96 BUTT SD
 UT2724 X 96 BUTT SD
 UT3024 X 96 BUTT SD
 UT3324 X 96 BUTT SD
 UT3624 X 96 BUTT SD

93" H

UT2424 X 93 BUTT ■
 UT2724 X 93 BUTT ■
 UT3024 X 93 BUTT ■
 UT3324 X 93 BUTT ■
 UT3624 X 93 BUTT ■
 UT2424 X 93 BUTT SD
 UT2724 X 93 BUTT SD
 UT3024 X 93 BUTT SD
 UT3324 X 93 BUTT SD
 UT3624 X 93 BUTT SD

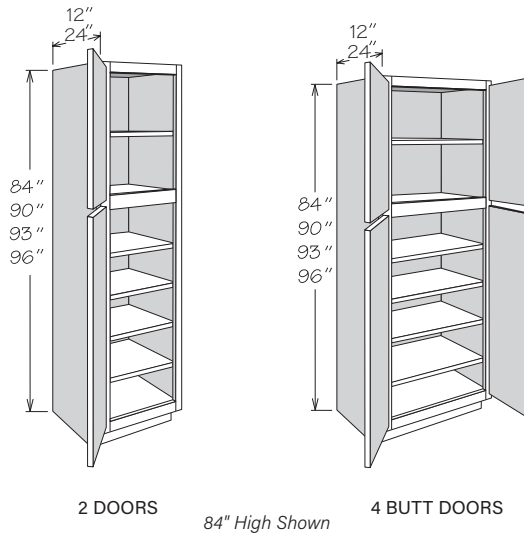
90" H

UT2424 X 90 BUTT ■
 UT2724 X 90 BUTT ■
 UT3024 X 90 BUTT ■
 UT3324 X 90 BUTT ■
 UT3624 X 90 BUTT ■
 UT2424 X 90 BUTT SD
 UT2724 X 90 BUTT SD
 UT3024 X 90 BUTT SD
 UT3324 X 90 BUTT SD
 UT3624 X 90 BUTT SD

84" H

UT2424 X 84 BUTT ■
 UT2724 X 84 BUTT ■
 UT3024 X 84 BUTT ■
 UT3324 X 84 BUTT ■
 UT3624 X 84 BUTT ■
 UT2424 X 84 BUTT SD
 UT2724 X 84 BUTT SD
 UT3024 X 84 BUTT SD
 UT3324 X 84 BUTT SD
 UT3624 X 84 BUTT SD

Utility Cabinet • Adjustable Shelves



- Bottom section features four adjustable shelves
- All shelving packaged separately for field installation
- 4" inset toe kick assembly shipped inside 93" and 96" high cabinets, 33" wide x 93" high toe kicks ship as two pieces - seam will be visible between toe kick box and side of cabinet
- Two door cabinets must be ordered hinged left or right
- Specialty Door cabinets (SD) feature Matching Interior standard and require a specialty door selection
- Bottom doors have a center rail for select door styles - refer to door style section

AH
APC
FE
MI ■
PE
RD

2 DOORS • 12" DEEP

96" H • 3 Top Shelves

- UT1212 X 96 AS ■
- UT1512 X 96 AS ■
- UT1812 X 96 AS ■
- UT2112 X 96 AS ■
- UT1212 X 96 AS SD
- UT1512 X 96 AS SD
- UT1812 X 96 AS SD
- UT2112 X 96 AS SD

93" H • 3 Top Shelves

- UT1212 X 93 AS ■
- UT1512 X 93 AS ■
- UT1812 X 93 AS ■
- UT2112 X 93 AS ■
- UT1212 X 93 AS SD
- UT1512 X 93 AS SD
- UT1812 X 93 AS SD
- UT2112 X 93 AS SD

2 DOORS • 24" DEEP

96" H • 3 Top Shelves

- UT1224 X 96 AS ■
- UT1524 X 96 AS ■
- UT1824 X 96 AS ■
- UT2124 X 96 AS ■
- UT1224 X 96 AS SD
- UT1524 X 96 AS SD
- UT1824 X 96 AS SD
- UT2124 X 96 AS SD

93" H • 3 Top Shelves

- UT1224 X 93 AS ■
- UT1524 X 93 AS ■
- UT1824 X 93 AS ■
- UT2124 X 93 AS ■
- UT1224 X 93 AS SD
- UT1524 X 93 AS SD
- UT1824 X 93 AS SD
- UT2124 X 93 AS SD

90" H • 2 Top Shelves

- UT1212 X 90 AS ■
- UT1512 X 90 AS ■
- UT1812 X 90 AS ■
- UT2112 X 90 AS ■
- UT1212 X 90 AS SD
- UT1512 X 90 AS SD
- UT1812 X 90 AS SD
- UT2112 X 90 AS SD

84" H • 1 Top Shelf

- UT1212 X 84 AS ■
- UT1512 X 84 AS ■
- UT1812 X 84 AS ■
- UT2112 X 84 AS ■
- UT1212 X 84 AS SD
- UT1512 X 84 AS SD
- UT1812 X 84 AS SD
- UT2112 X 84 AS SD

90" H • 2 Top Shelves

- UT1224 X 90 AS ■
- UT1524 X 90 AS ■
- UT1824 X 90 AS ■
- UT2124 X 90 AS ■
- UT1224 X 90 AS SD
- UT1524 X 90 AS SD
- UT1824 X 90 AS SD
- UT2124 X 90 AS SD

84" H • 1 Top Shelf

- UT1224 X 84 AS ■
- UT1524 X 84 AS ■
- UT1824 X 84 AS ■
- UT2124 X 84 AS ■
- UT1224 X 84 AS SD
- UT1524 X 84 AS SD
- UT1824 X 84 AS SD
- UT2124 X 84 AS SD

4 BUTT DOORS • 12" DEEP

96" H • 3 Top Shelves

- UT2412 X 96 AS BUTT ■
- UT2412 X 96 AS BUTT SD

93" H • 3 Top Shelves

- UT2412 X 93 AS BUTT ■
- UT2412 X 93 AS BUTT SD

4 BUTT DOORS • 24" DEEP

96" H • 3 Top Shelves

- UT2424 X 96 AS BUTT ■
- UT2724 X 96 AS BUTT ■
- UT3024 X 96 AS BUTT ■
- UT3324 X 96 AS BUTT ■
- UT3624 X 96 AS BUTT ■
- UT2424 X 96 AS BUTT SD
- UT2724 X 96 AS BUTT SD
- UT3024 X 96 AS BUTT SD
- UT3324 X 96 AS BUTT SD
- UT3624 X 96 AS BUTT SD

93" H • 3 Top Shelves

- UT2424 X 93 AS BUTT ■
- UT2724 X 93 AS BUTT ■
- UT3024 X 93 AS BUTT ■
- UT3324 X 93 AS BUTT ■
- UT3624 X 93 AS BUTT ■
- UT2424 X 93 AS BUTT SD
- UT2724 X 93 AS BUTT SD
- UT3024 X 93 AS BUTT SD
- UT3324 X 93 AS BUTT SD
- UT3624 X 93 AS BUTT SD

90" H • 2 Top Shelves

- UT2412 X 90 AS BUTT ■
- UT2412 X 90 AS BUTT SD

84" H • 1 Top Shelf

- UT2412 X 84 AS BUTT ■
- UT2412 X 84 AS BUTT SD

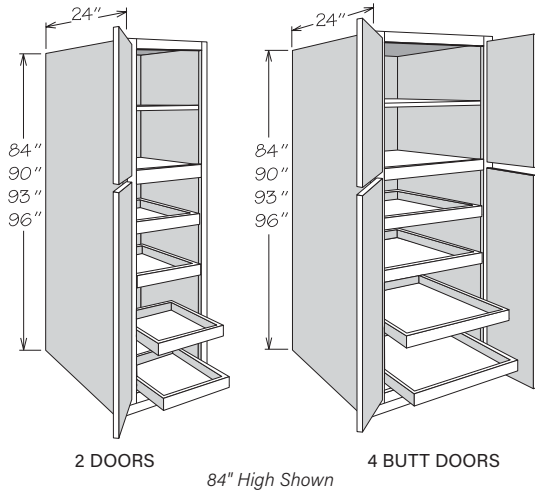
90" H • 2 Top Shelves

- UT2424 X 90 AS BUTT ■
- UT2724 X 90 AS BUTT ■
- UT3024 X 90 AS BUTT ■
- UT3324 X 90 AS BUTT ■
- UT3624 X 90 AS BUTT ■
- UT2424 X 90 AS BUTT SD
- UT2724 X 90 AS BUTT SD
- UT3024 X 90 AS BUTT SD
- UT3324 X 90 AS BUTT SD
- UT3624 X 90 AS BUTT SD

84" H • 1 Top Shelf

- UT2424 X 84 AS BUTT ■
- UT2724 X 84 AS BUTT ■
- UT3024 X 84 AS BUTT ■
- UT3324 X 84 AS BUTT ■
- UT3624 X 84 AS BUTT ■
- UT2424 X 84 AS BUTT SD
- UT2724 X 84 AS BUTT SD
- UT3024 X 84 AS BUTT SD
- UT3324 X 84 AS BUTT SD
- UT3624 X 84 AS BUTT SD

Utility Cabinet - Deep Roll Out Trays



- Bottom section features four Deep Roll Out Trays
- All shelving and Deep Roll Out Trays packaged separately for field installation
- 4" inset toe kick assembly shipped inside 93" and 96" high cabinets, 33" wide x 93" high toe kicks ship as two pieces - seam will be visible between toe kick box and side of cabinet
- Two door cabinets must be ordered hinged left or right
- Specialty Door cabinets (SD) feature Matching Interior standard and require a specialty door selection
- Bottom doors have a center rail for select door styles - refer to door style section

AH
APC
FE
MI ■
PE
RD

2 DOORS

96" H - 3 Top Shelves

UT1224 X 96 4ROT ■
 UT1524 X 96 4ROT ■
 UT1824 X 96 4ROT ■
 UT2124 X 96 4ROT ■
 UT1224 X 96 4ROT SD
 UT1524 X 96 4ROT SD
 UT1824 X 96 4ROT SD
 UT2124 X 96 4ROT SD

93" H - 3 Top Shelves

UT1224 X 93 4ROT ■
 UT1524 X 93 4ROT ■
 UT1824 X 93 4ROT ■
 UT2124 X 93 4ROT ■
 UT1224 X 93 4ROT SD
 UT1524 X 93 4ROT SD
 UT1824 X 93 4ROT SD
 UT2124 X 93 4ROT SD

90" H - 2 Top Shelves

UT1224 X 90 4ROT ■
 UT1524 X 90 4ROT ■
 UT1824 X 90 4ROT ■
 UT2124 X 90 4ROT ■
 UT1224 X 90 4ROT SD
 UT1524 X 90 4ROT SD
 UT1824 X 90 4ROT SD
 UT2124 X 90 4ROT SD

84" H - 1 Top Shelf

UT1224 X 84 4ROT ■
 UT1524 X 84 4ROT ■
 UT1824 X 84 4ROT ■
 UT2124 X 84 4ROT ■
 UT1224 X 84 4ROT SD
 UT1524 X 84 4ROT SD
 UT1824 X 84 4ROT SD
 UT2124 X 84 4ROT SD

4 BUTT DOORS

96" H - 3 Top Shelves

UT2424 X 96 4ROT BUTT ■
 UT2724 X 96 4ROT BUTT ■
 UT3024 X 96 4ROT BUTT ■
 UT3324 X 96 4ROT BUTT ■
 UT3624 X 96 4ROT BUTT ■
 UT2424 X 96 4ROT BUTT SD
 UT2724 X 96 4ROT BUTT SD
 UT3024 X 96 4ROT BUTT SD
 UT3324 X 96 4ROT BUTT SD
 UT3624 X 96 4ROT BUTT SD

93" H - 3 Top Shelves

UT2424 X 93 4ROT BUTT ■
 UT2724 X 93 4ROT BUTT ■
 UT3024 X 93 4ROT BUTT ■
 UT3324 X 93 4ROT BUTT ■
 UT3624 X 93 4ROT BUTT ■
 UT2424 X 93 4ROT BUTT SD
 UT2724 X 93 4ROT BUTT SD
 UT3024 X 93 4ROT BUTT SD
 UT3324 X 93 4ROT BUTT SD
 UT3624 X 93 4ROT BUTT SD

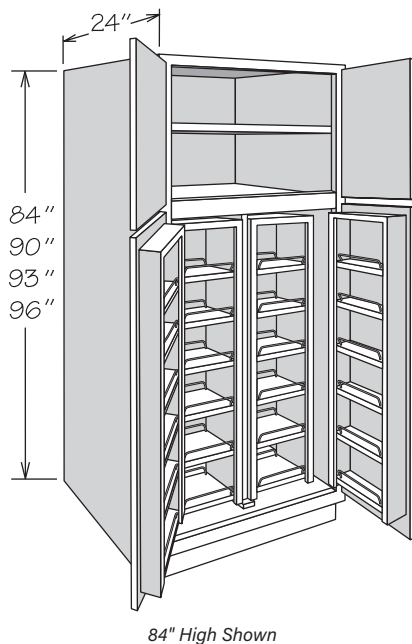
90" H - 2 Top Shelves

UT2424 X 90 4ROT BUTT ■
 UT2724 X 90 4ROT BUTT ■
 UT3024 X 90 4ROT BUTT ■
 UT3324 X 90 4ROT BUTT ■
 UT3624 X 90 4ROT BUTT ■
 UT2424 X 90 4ROT BUTT SD
 UT2724 X 90 4ROT BUTT SD
 UT3024 X 90 4ROT BUTT SD
 UT3324 X 90 4ROT BUTT SD
 UT3624 X 90 4ROT BUTT SD

84" H - 1 Top Shelf

UT2424 X 84 4ROT BUTT ■
 UT2724 X 84 4ROT BUTT ■
 UT3024 X 84 4ROT BUTT ■
 UT3324 X 84 4ROT BUTT ■
 UT3624 X 84 4ROT BUTT ■
 UT2424 X 84 4ROT BUTT SD
 UT2724 X 84 4ROT BUTT SD
 UT3024 X 84 4ROT BUTT SD
 UT3324 X 84 4ROT BUTT SD
 UT3624 X 84 4ROT BUTT SD

Utility Cabinet - 4 Butt Doors with Pantry Storage



- Accessories and shelving packaged separately for field installation and include:
 - » Pantry Swing-Out Kit (PCSK36)
 - » Two Pantry Door Shelf Kits (PDSK18)
 - » Utility Cabinet Shelf and Pilaster Kit (PSK36)
- Full-depth adjustable shelves are 3/4" engineered wood and edge banded on front edge only
- 4" inset toe kick assembly shipped inside 93" and 96" high cabinets, 33" wide x 93" high toe kicks ship as two pieces - seam will be visible between toe kick box and side of cabinet
- Minimum filler width of 4 1/2" recommended for installation of this cabinet next to deeper adjacent objects including cabinets, walls, appliances, and countertops
- Specialty Door cabinets (SD) feature Matching Interior standard and require a specialty door selection
- Bottom doors have a center rail for select door styles - refer to door style section

AH
APC
FE
MI ■
PE

24" DEEP

96" H - 3 Top Shelves

UT3624 X 96 PCDS BUTT ■
 UT3624 X 96 PCDS BUTT SD

93" H - 3 Top Shelves

UT3624 X 93 PCDS BUTT ■
 UT3624 X 93 PCDS BUTT SD

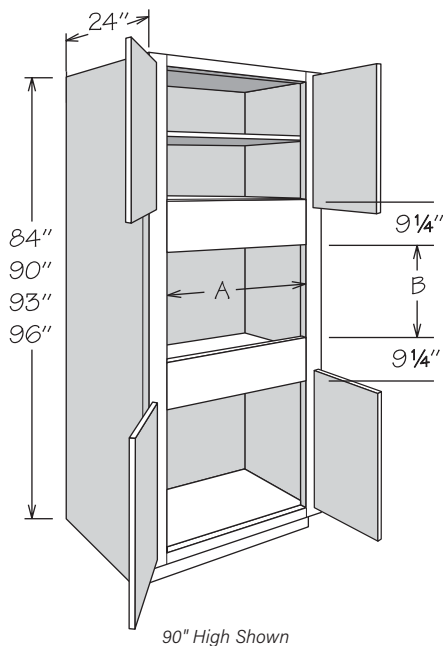
90" H - 2 Top Shelves

UT3624 X 90 PCDS BUTT ■
 UT3624 X 90 PCDS BUTT SD

84" H - 1 Top Shelf

UT3624 X 84 PCDS BUTT ■
 UT3624 X 84 PCDS BUTT SD

Single Oven Cabinet - 4 Butt Doors

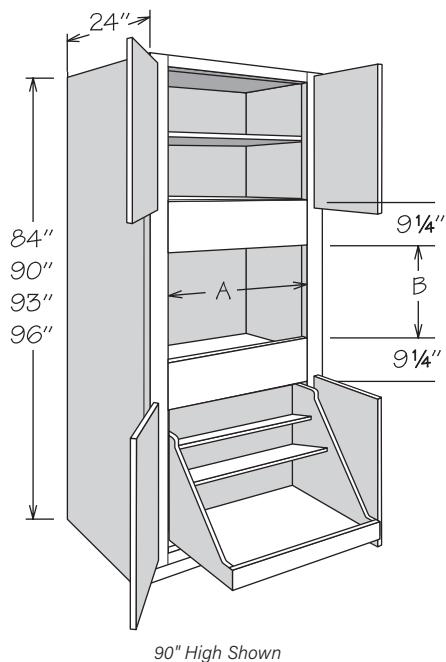


- Features a solid back
- 3/8" stiles
- All door styles feature self-closing face-mounted hidden hinges
- Shelf packaged separately for field installation
- 4" inset toe kick assembly shipped inside 93" and 96" high cabinets, 33" wide x 93" high toe kicks ship as two pieces - seam will be visible between toe kick box and side of cabinet
- Refer to appliance manufacturer's specifications for adequate clearances and required installation materials

AH
APC
CFO
FE
RD
PE

	A ACTUAL	A MAX.	B ACTUAL	B MAX.
96"H - 3 Top Shelves				
OVS2796 AS BUTT	20 3/4"	25"	22 1/8"	37 3/8"
OVS3096 AS BUTT	23 3/4"	28"	22 1/8"	37 3/8"
OVS3396 AS BUTT	26 3/4"	31"	22 1/8"	37 3/8"
93"H - 2 Top Shelves				
OVS2793 AS BUTT	20 3/4"	25"	22 1/8"	37 3/8"
OVS3093 AS BUTT	23 3/4"	28"	22 1/8"	37 3/8"
OVS3393 AS BUTT	26 3/4"	31"	22 1/8"	37 3/8"
90"H - 1 Top Shelf				
OVS2790 AS BUTT	20 3/4"	25"	21 3/4"	37"
OVS3090 AS BUTT	23 3/4"	28"	21 3/4"	37"
OVS3390 AS BUTT	26 3/4"	31"	21 3/4"	37"
84"H - No Shelf				
OVS2784 BUTT	20 3/4"	25"	22 1/8"	37 3/8"
OVS3084 BUTT	23 3/4"	28"	22 1/8"	37 3/8"
OVS3384 BUTT	26 3/4"	31"	22 1/8"	37 3/8"

Single Oven Cabinet - 4 Butt Doors and Pot & Pan Organizer

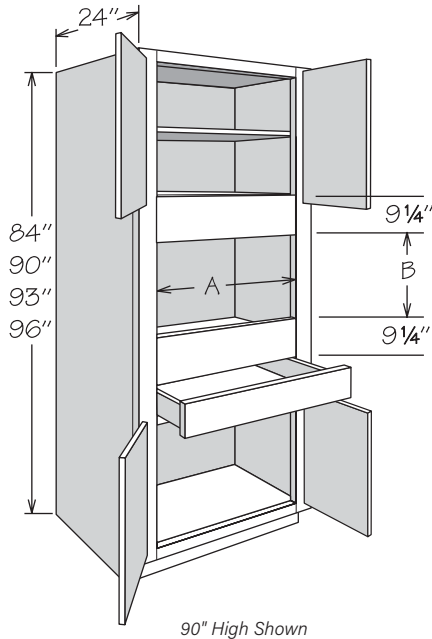


- Features a solid back
- 3/8" stiles
- All door styles feature self-closing face-mounted hidden hinges
- Shelving and Pot & Pan Organizer packaged separately for field installation
- Organizer features natural finish solid wood, wood veneer and dovetail (front only) construction with engineered wood bottom
- Organizer top shelf measures 6 3/8" deep
- Organizer middle shelf measures 9 3/4" deep
- 4" inset toe kick assembly shipped inside 93" and 96" high cabinets, 33" wide x 93" high toe kicks ship as two pieces - seam will be visible between toe kick box and side of cabinet
- Refer to appliance manufacturer's specifications for adequate clearances and required installation materials

APC
FE
PE

	A ACTUAL	A MAX.	B ACTUAL	B MAX.
96"H - 3 Top Shelves				
OVS2796 BUTT BPPO	20 3/4"	25"	22 1/8"	37 3/8"
OVS3096 BUTT BPPO	23 3/4"	28"	22 1/8"	37 3/8"
OVS3396 BUTT BPPO	26 3/4"	31"	22 1/8"	37 3/8"
93"H - 2 Top Shelves				
OVS2793 BUTT BPPO	20 3/4"	25"	22 1/8"	37 3/8"
OVS3093 BUTT BPPO	23 3/4"	28"	22 1/8"	37 3/8"
OVS3393 BUTT BPPO	26 3/4"	31"	22 1/8"	37 3/8"
90"H - 1 Top Shelf				
OVS2790 BUTT BPPO	20 3/4"	25"	21 3/4"	37"
OVS3090 BUTT BPPO	23 3/4"	28"	21 3/4"	37"
OVS3390 BUTT BPPO	26 3/4"	31"	21 3/4"	37"
84"H - No Shelf				
OVS2784 BUTT BPPO	20 3/4"	25"	22 1/8"	37 3/8"
OVS3084 BUTT BPPO	23 3/4"	28"	22 1/8"	37 3/8"
OVS3384 BUTT BPPO	26 3/4"	31"	22 1/8"	37 3/8"

Single Oven Cabinet - 4 Butt Doors and 1 Drawer

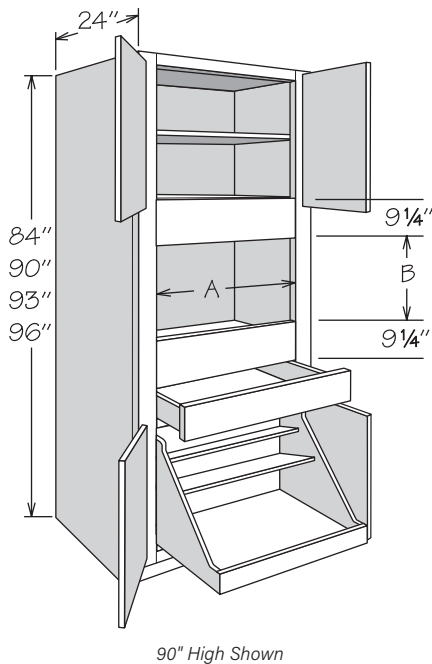


- Features a solid back
- 3/8" stiles
- All door styles feature self-closing face-mounted hidden hinges
- One standard drawer
- Shelf packaged separately for field installation
- 4" inset toe kick assembly shipped inside 93" and 96" high cabinets, 33" wide x 93" high toe kicks ship as two pieces - seam will be visible between toe kick box and side of cabinet
- Refer to appliance manufacturer's specifications for adequate clearances and required installation materials

AH
APC
CFO
FE
PE
RD

	A ACTUAL	A MAX.	B ACTUAL	B MAX.
96"H - 3 Top Shelves				
OVS2796 AS BUTT 1DWR	20 3/4"	25"	16 1/8"	31 3/8"
OVS3096 AS BUTT 1DWR	23 3/4"	28"	16 1/8"	31 3/8"
OVS3396 AS BUTT 1DWR	26 3/4"	31"	16 1/8"	31 3/8"
93"H - 2 Top Shelves				
OVS2793 AS BUTT 1DWR	20 3/4"	25"	16 1/8"	31 3/8"
OVS3093 AS BUTT 1DWR	23 3/4"	28"	16 1/8"	31 3/8"
OVS3393 AS BUTT 1DWR	26 3/4"	31"	16 1/8"	31 3/8"
90"H - 1 Top Shelf				
OVS2790 AS BUTT 1DWR	20 3/4"	25"	15 3/4"	31"
OVS3090 AS BUTT 1DWR	23 3/4"	28"	15 3/4"	31"
OVS3390 AS BUTT 1DWR	26 3/4"	31"	15 3/4"	31"
84"H - No Shelf				
OVS2784 BUTT 1DWR	20 3/4"	25"	16 1/8"	31 3/8"
OVS3084 BUTT 1DWR	23 3/4"	28"	16 1/8"	31 3/8"
OVS3384 BUTT 1DWR	26 3/4"	31"	16 1/8"	31 3/8"

Single Oven Cabinet - 4 Butt Doors, 1 Drawer and Pot & Pan Organizer

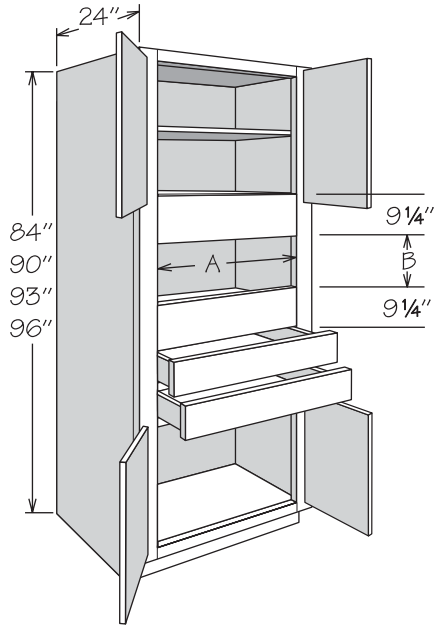


- Features a solid back
- 3/8" stiles
- All door styles feature self-closing face-mounted hidden hinges
- Full-depth adjustable shelves and 3/4" engineered wood and edge banded on front edge only
- Shelving and Pot & Pan Organizer packaged separately for field installation
- Organizer features natural finish solid wood, wood veneer and dovetail (front only) construction with engineered wood bottom
- Organizer top shelf measures 6 3/8" deep
- Organizer middle shelf measures 9 3/4" deep
- 4" inset toe kick assembly shipped inside 93" and 96" high cabinets, 33" wide x 93" high toe kicks ship as two pieces - seam will be visible between toe kick box and side of cabinet
- Refer to appliance manufacturer's specifications for adequate clearances and required installation materials

APC
FE
PE

	A ACTUAL	A MAX.	B ACTUAL	B MAX.
96"H - 3 Top Shelves				
OVS2796 BUTT 1DWR BPPO	20 3/4"	25"	16 1/8"	31 3/8"
OVS3096 BUTT 1DWR BPPO	23 3/4"	28"	16 1/8"	31 3/8"
OVS3396 BUTT 1DWR BPPO	26 3/4"	31"	16 1/8"	31 3/8"
93"H - 2 Top Shelves				
OVS2793 BUTT 1DWR BPPO	20 3/4"	25"	16 1/8"	31 3/8"
OVS3093 BUTT 1DWR BPPO	23 3/4"	28"	16 1/8"	31 3/8"
OVS3393 BUTT 1DWR BPPO	26 3/4"	31"	16 1/8"	31 3/8"
90"H - 1 Top Shelf				
OVS2790 BUTT 1DWR BPPO	20 3/4"	25"	15 3/4"	31"
OVS3090 BUTT 1DWR BPPO	23 3/4"	28"	15 3/4"	31"
OVS3390 BUTT 1DWR BPPO	26 3/4"	31"	15 3/4"	31"
84"H - No Shelf				
OVS2784 BUTT 1DWR BPPO	20 3/4"	25"	16 1/8"	31 3/8"
OVS3084 BUTT 1DWR BPPO	23 3/4"	28"	16 1/8"	31 3/8"
OVS3384 BUTT 1DWR BPPO	26 3/4"	31"	16 1/8"	31 3/8"

Single Oven Cabinet - 4 Butt Doors and 2 Drawers



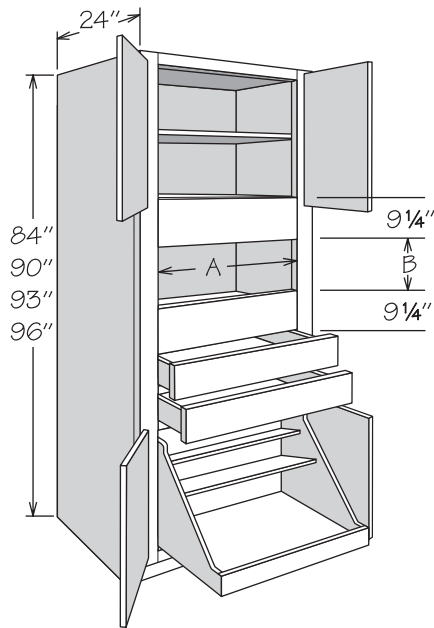
90" High Shown

- Features a solid back
- 3/8" stiles
- All door styles feature self-closing face-mounted hidden hinges
- Two standard drawers
- Shelf packaged separately for field installation
- 4" inset toe kick assembly shipped inside 93" and 96" high cabinets, 33" wide x 93" high toe kicks ship as two pieces - seam will be visible between toe kick box and side of cabinet
- Refer to appliance manufacturer's specifications for adequate clearances and required installation materials

AH
APC
CFO
FE
PE
RD

	A ACTUAL	A MAX.	B ACTUAL	B MAX.
96"H - 3 Top Shelves				
OVS2796 AS BUTT 2DWR	20 3/4"	25"	10 1/8"	25 3/8"
OVS3096 AS BUTT 2DWR	23 3/4"	28"	10 1/8"	25 3/8"
OVS3396 AS BUTT 2DWR	26 3/4"	31"	10 1/8"	25 3/8"
93"H - 2 Top Shelves				
OVS2793 AS BUTT 2DWR	20 3/4"	25"	10 1/8"	25 3/8"
OVS3093 AS BUTT 2DWR	23 3/4"	28"	10 1/8"	25 3/8"
OVS3393 AS BUTT 2DWR	26 3/4"	31"	10 1/8"	25 3/8"
90"H - 1 Top Shelf				
OVS2790 AS BUTT 2DWR	20 3/4"	25"	9 3/4"	25"
OVS3090 AS BUTT 2DWR	23 3/4"	28"	9 3/4"	25"
OVS3390 AS BUTT 2DWR	26 3/4"	31"	9 3/4"	25"
84"H - No Shelf				
OVS2784 BUTT 2DWR	20 3/4"	25"	10 1/8"	25 3/8"
OVS3084 BUTT 2DWR	23 3/4"	28"	10 1/8"	25 3/8"
OVS3384 BUTT 2DWR	26 3/4"	31"	10 1/8"	25 3/8"

Single Oven Cabinet - 4 Butt Doors, 2 Drawers and Pot & Pan Organizer



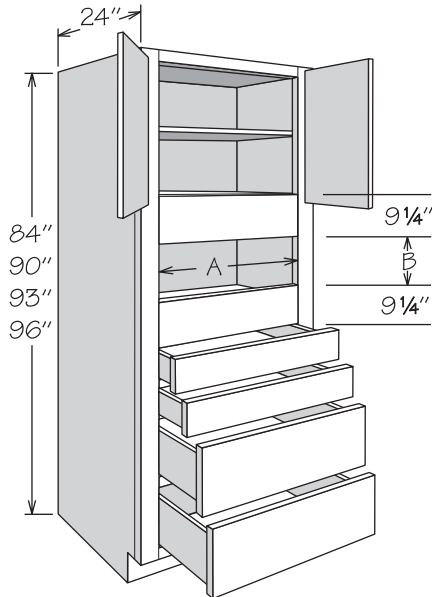
90" High Shown

- Features a solid back
- 3/8" stiles
- All door styles feature self-closing face-mounted hidden hinges
- Two standard drawers
- Shelving and Pot & Pan Organizer packaged separately for field installation
- Organizer features natural finish solid wood, wood veneer and dovetail (front only) construction with engineered wood bottom
- Organizer top shelf measures 6 3/8" deep
- Organizer middle shelf measures 9 3/4" deep
- 4" inset toe kick assembly shipped inside 93" and 96" high cabinets, 33" wide x 93" high toe kicks ship as two pieces - seam will be visible between toe kick box and side of cabinet
- Refer to appliance manufacturer's specifications for adequate clearances and required installation materials

APC
FE
PE

	A ACTUAL	A MAX.	B ACTUAL	B MAX.
96"H - 3 Top Shelves				
OVS2796 BUTT 2DWR BPPO	20 3/4"	25"	10 1/8"	25 3/8"
OVS3096 BUTT 2DWR BPPO	23 3/4"	28"	10 1/8"	25 3/8"
OVS3396 BUTT 2DWR BPPO	26 3/4"	31"	10 1/8"	25 3/8"
93"H - 2 Top Shelves				
OVS2793 BUTT 2DWR BPPO	20 3/4"	25"	10 1/8"	25 3/8"
OVS3093 BUTT 2DWR BPPO	23 3/4"	28"	10 1/8"	25 3/8"
OVS3393 BUTT 2DWR BPPO	26 3/4"	31"	10 1/8"	25 3/8"
90"H - 1 Top Shelf				
OVS2790 BUTT 2DWR BPPO	20 3/4"	25"	9 3/4"	25"
OVS3090 BUTT 2DWR BPPO	23 3/4"	28"	9 3/4"	25"
OVS3390 BUTT 2DWR BPPO	26 3/4"	31"	9 3/4"	25"
84"H - No Shelf				
OVS2784 BUTT 2DWR BPPO	20 3/4"	25"	10 1/8"	25 3/8"
OVS3084 BUTT 2DWR BPPO	23 3/4"	28"	10 1/8"	25 3/8"
OVS3384 BUTT 2DWR BPPO	26 3/4"	31"	10 1/8"	25 3/8"

Single Oven Cabinet • 2 Butt Doors and 4 Drawers



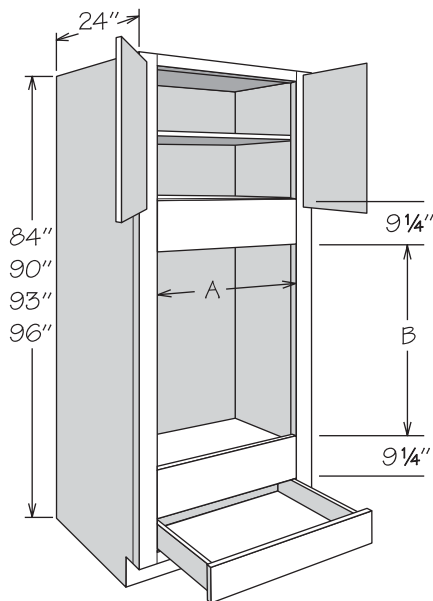
90" High Shown

- Features a solid back
- 3/8" stiles
- All door styles feature self-closing face-mounted hidden hinges
- Two standard and two large drawers
- Shelf packaged separately for field installation
- 4" inset toe kick assembly shipped inside 93" and 96" high cabinets, 33" wide x 93" high toe kicks ship as two pieces - seam will be visible between toe kick box and side of cabinet
- Refer to appliance manufacturer's specifications for adequate clearances and required installation materials

AH
APC
CFO
FE
PE
RD

	A ACTUAL	A MAX.	B ACTUAL	B MAX.
96"H • 3 Top Shelves				
OVS2796 AS BUTT 4DWR	20 3/4"	25"	10 1/8"	25 3/8"
OVS3096 AS BUTT 4DWR	23 3/4"	28"	10 1/8"	25 3/8"
OVS3396 AS BUTT 4DWR	26 3/4"	31"	10 1/8"	25 3/8"
93"H • 2 Top Shelves				
OVS2793 AS BUTT 4DWR	20 3/4"	25"	10 1/8"	25 3/8"
OVS3093 AS BUTT 4DWR	23 3/4"	28"	10 1/8"	25 3/8"
OVS3393 AS BUTT 4DWR	26 3/4"	31"	10 1/8"	25 3/8"
90"H • 1 Top Shelf				
OVS2790 AS BUTT 4DWR	20 3/4"	25"	9 3/4"	25"
OVS3090 AS BUTT 4DWR	23 3/4"	28"	9 3/4"	25"
OVS3390 AS BUTT 4DWR	26 3/4"	31"	9 3/4"	25"
84"H • No Shelf				
OVS2784 BUTT 4DWR	20 3/4"	25"	10 1/8"	25 3/8"
OVS3084 BUTT 4DWR	23 3/4"	28"	10 1/8"	25 3/8"
OVS3384 BUTT 4DWR	26 3/4"	31"	10 1/8"	25 3/8"

Double Oven Cabinet • 2 Butt Doors and 1 Drawer



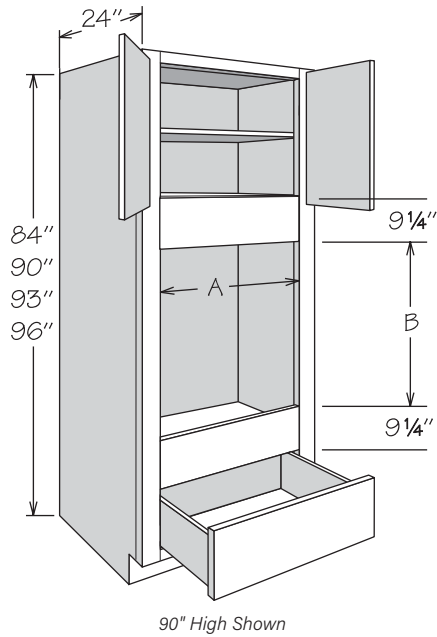
90" High Shown

- Features a solid back
- 3/8" stiles
- One standard drawers
- All door styles feature self-closing face-mounted hidden hinges
- Shelf packaged separately for field installation
- 4" inset toe kick assembly shipped inside 93" and 96" high cabinets, 33" wide x 93" high toe kicks ship as two pieces - seam will be visible between toe kick box and side of cabinet
- Refer to appliance manufacturer's specifications for adequate clearances and required installation materials

AH
APC
CFO
FE
PE
RD

	A ACTUAL	A MAX.	B ACTUAL	B MAX.
96"H • 3 Top Shelves				
OVD2796 AS BUTT	20 3/4"	25"	39"	54 1/4"
OVD3096 AS BUTT	23 3/4"	28"	39"	54 1/4"
OVD3396 AS BUTT	26 3/4"	31"	39"	54 1/4"
93"H • 2 Top Shelves				
OVD2793 AS BUTT	20 3/4"	25"	39"	54 1/4"
OVD3093 AS BUTT	23 3/4"	28"	39"	54 1/4"
OVD3393 AS BUTT	26 3/4"	31"	39"	54 1/4"
90"H • 1 Top Shelf				
OVD2790 AS BUTT	20 3/4"	25"	38 5/8"	53 7/8"
OVD3090 AS BUTT	23 3/4"	28"	38 5/8"	53 7/8"
OVD3390 AS BUTT	26 3/4"	31"	38 5/8"	53 7/8"
84"H • No Shelf				
OVD2784 BUTT	20 3/4"	25"	39"	54 1/4"
OVD3084 BUTT	23 3/4"	28"	39"	54 1/4"
OVD3384 BUTT	26 3/4"	31"	39"	54 1/4"

Double Oven Cabinet - 2 Butt Doors and 1 Large Drawer



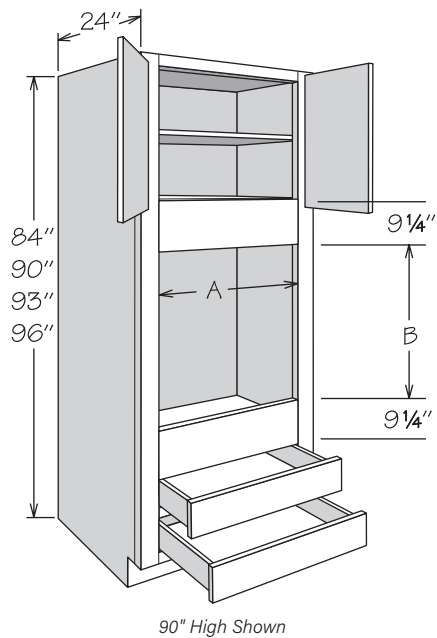
90" High Shown

- Features a solid back
- 3/8" stiles
- All door styles feature self-closing face-mounted hidden hinges
- One large drawer
- Shelf packaged separately for field installation
- 4" inset toe kick assembly shipped inside 93" and 96" high cabinets, 33" wide x 93" high toe kicks ship as two pieces - seam will be visible between toe kick box and side of cabinet
- Refer to appliance manufacturer's specifications for adequate clearances and required installation materials

AH
APC
CFO
FE
PE
RD

	A ACTUAL	A MAX.	B ACTUAL	B MAX.
96"H - 3 Top Shelves				
OVD2796 AS BUTT 1DDWR	20 3/4"	25"	33 9/16"	48 13/16"
OVD3096 AS BUTT 1DDWR	23 3/4"	28"	33 9/16"	48 13/16"
OVD3396 AS BUTT 1DDWR	26 3/4"	31"	33 9/16"	48 13/16"
93"H - 2 Top Shelves				
OVD2793 AS BUTT 1DDWR	20 3/4"	25"	33 9/16"	48 13/16"
OVD3093 AS BUTT 1DDWR	23 3/4"	28"	33 9/16"	48 13/16"
OVD3393 AS BUTT 1DDWR	26 3/4"	31"	33 9/16"	48 13/16"
90"H - 1 Top Shelf				
OVD2790 AS BUTT 1DDWR	20 3/4"	25"	33 7/16"	48 7/16"
OVD3090 AS BUTT 1DDWR	23 3/4"	28"	33 7/16"	48 7/16"
OVD3390 AS BUTT 1DDWR	26 3/4"	31"	33 7/16"	48 7/16"
84"H - No Shelf				
OVD2784 BUTT 1DDWR	20 3/4"	25"	33 9/16"	48 13/16"
OVD3084 BUTT 1DDWR	23 3/4"	28"	33 9/16"	48 13/16"
OVD3384 BUTT 1DDWR	26 3/4"	31"	33 9/16"	48 13/16"

Double Oven Cabinet - 2 Butt Doors and 2 Drawers



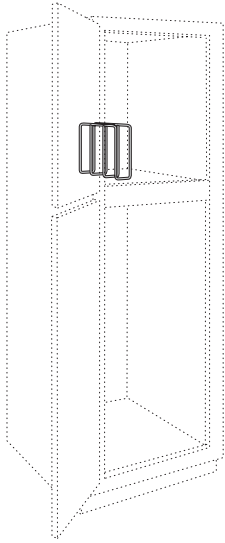
90" High Shown

- Features a solid back
- 3/8" stiles
- All door styles feature self-closing face-mounted hidden hinges
- Two standard drawers
- Shelf packaged separately for field installation
- 4" inset toe kick assembly shipped inside 93" and 96" high cabinets, 33" wide x 93" high toe kicks ship as two pieces - seam will be visible between toe kick box and side of cabinet
- Refer to appliance manufacturer's specifications for adequate clearances and required installation materials

APC
CFO
FE
PE
RD

	A ACTUAL	A MAX.	B ACTUAL	B MAX.
96"H - 3 Top Shelves				
OVD2796 AS BUTT 2DWR	20 3/4"	25"	33"	48 1/4"
OVD3096 AS BUTT 2DWR	23 3/4"	28"	33"	48 1/4"
OVD3396 AS BUTT 2DWR	26 3/4"	31"	33"	48 1/4"
93"H - 2 Top Shelves				
OVD2793 AS BUTT 2DWR	20 3/4"	25"	33"	48 1/4"
OVD3093 AS BUTT 2DWR	23 3/4"	28"	33"	48 1/4"
OVD3393 AS BUTT 2DWR	26 3/4"	31"	33"	48 1/4"
90"H - 1 Top Shelf				
OVD2790 AS BUTT 2DWR	20 3/4"	25"	32 5/8"	47 7/8"
OVD3090 AS BUTT 2DWR	23 3/4"	28"	32 5/8"	47 7/8"
OVD3390 AS BUTT 2DWR	26 3/4"	31"	32 5/8"	47 7/8"
84"H - No Shelf				
OVD2784 BUTT 2DWR	20 3/4"	25"	33"	48 1/4"
OVD3084 BUTT 2DWR	23 3/4"	28"	33"	48 1/4"
OVD3384 BUTT 2DWR	26 3/4"	31"	33"	48 1/4"

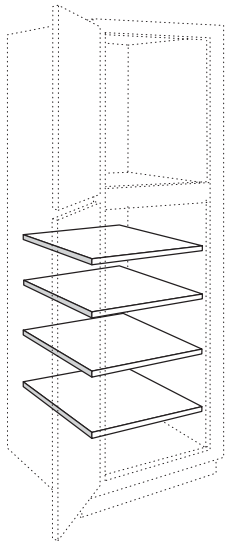
Cabinet Tray Divider



- Field installation accessory
- Chrome finish
- Mounting hardware included
- Overall dimensions: 2 $\frac{7}{8}$ " wide x 9 $\frac{5}{8}$ " high x 11 $\frac{3}{4}$ " deep
- Order Cabinet Tray Dividers individually
- For use in 24" deep cabinets or cabinets with RD-23 through RD-14

 TD3

Adjustable Shelves



- Field installation accessory
- $\frac{3}{4}$ " engineered wood in a natural finish
- Edge banded on front edge only
- CLIP LOCK shelf rests included

APC
MI
RD

ADJUSTABLE SHELF
12" Deep

S1212
S1512
S1812
S2112
S2412
S3612

24" Deep

S1224
S1524
S1824
S2124
S2424
S2724
S3024
S3324
S3624

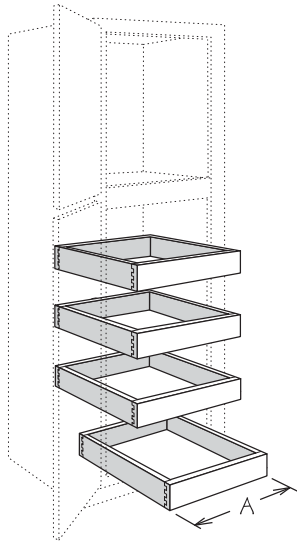
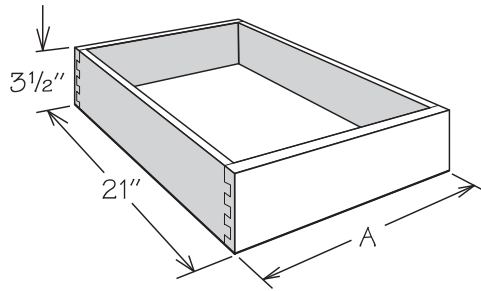
4 PACK SHELF KIT
12" Deep

SK1212
SK1512
SK1812
SK2112
SK2412
SK3612

24" Deep

SK1224
SK1524
SK1824
SK2124
SK2424
SK2724
SK3024
SK3324
SK3624

Deep Roll Out Trays



- Field installation accessory
- Natural finish dovetail drawer with engineered wood bottom
- Includes tray, all glide hardware and installation instructions

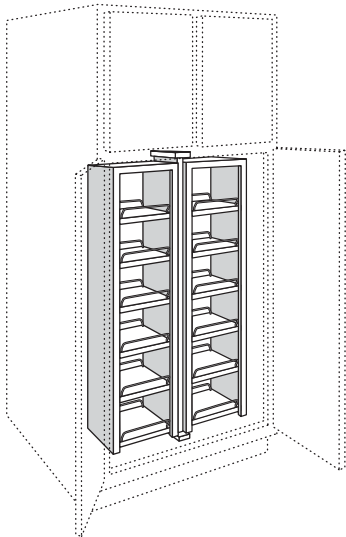
RD

OVEN SIZE

DROT24	OVS27
DROT27	OVS30
DROT30	OVS33

SINGLE DEEP ROLL OUT TRAY KIT	4 PACK DEEP ROLL OUT TRAY KIT	A
DROT12	DROT12-4K	7 3/4"
DROT15	DROT15-4K	10 3/4"
DROT18	DROT18-4K	13 3/4"
DROT21	DROT21-4K	16 3/4"
DROT24	DROT24-4K	19 3/4"
DROT27	DROT27-4K	22 3/4"
DROT30	DROT30-4K	25 3/4"
DROT33	DROT33-4K	28 3/4"
DROT36	DROT36-4K	31 3/4"

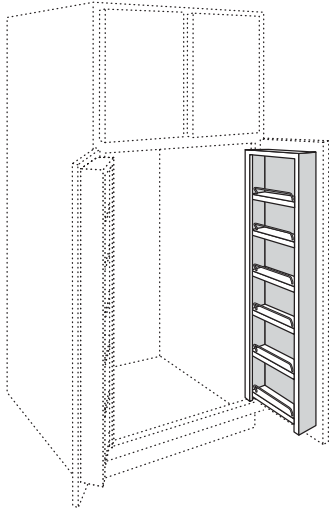
Pantry Swing-Out Kit



- Field installation accessory
- For use inside UT3624
- Can be used with PDSK18 and/or PSK36
- Natural finish unit features two fixed and ten adjustable shelves with chrome rails
- Overall dimensions: 25 5/8" wide x 45" high x 7 1/2" deep
- Not sized to fit reduced depth cabinets
- Minimum filler width of 4 1/2" recommended for installation of this accessory next to deeper adjacent objects including cabinets, walls, appliances, and countertops

PCSK36

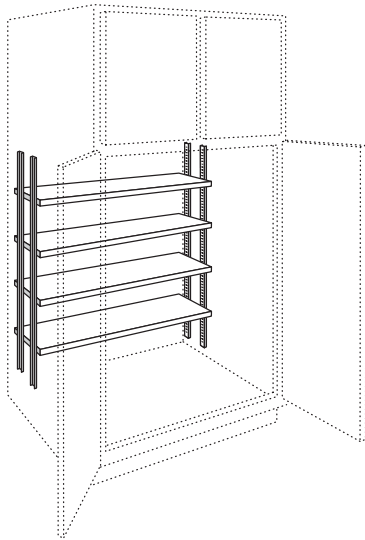
Pantry Door Shelf Kit



- Field installation accessory
- For use inside UT1824 or UT3624
- Order each door unit separately
- Can be used with PCSK36 and/or PSK36
- Natural finish unit features one fixed and five adjustable shelves with chrome rails
- Overall dimensions: 12" wide x 45" high x 4" deep
- Not sized to fit reduced depth cabinets
- Minimum filler width of 4½" recommended for installation of this accessory next to deeper adjacent objects including cabinets, walls, appliances, and countertops

PDSK18

Shelf & Pilaster Kit

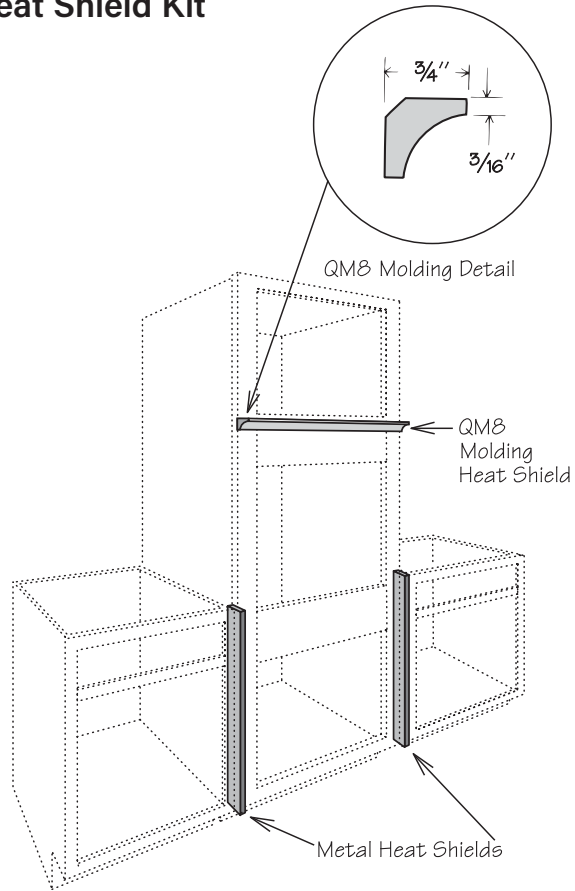


- Field installation accessory
- Kit includes four 9" deep shelves edge banded on front edge only, four 36" zinc pilasters, screws, and installation instructions
- For use inside UT3624
- Field trimmable for use inside UT1824
- Can be used with PCSK36 and/or PDSK18

APC
RD

PSK36

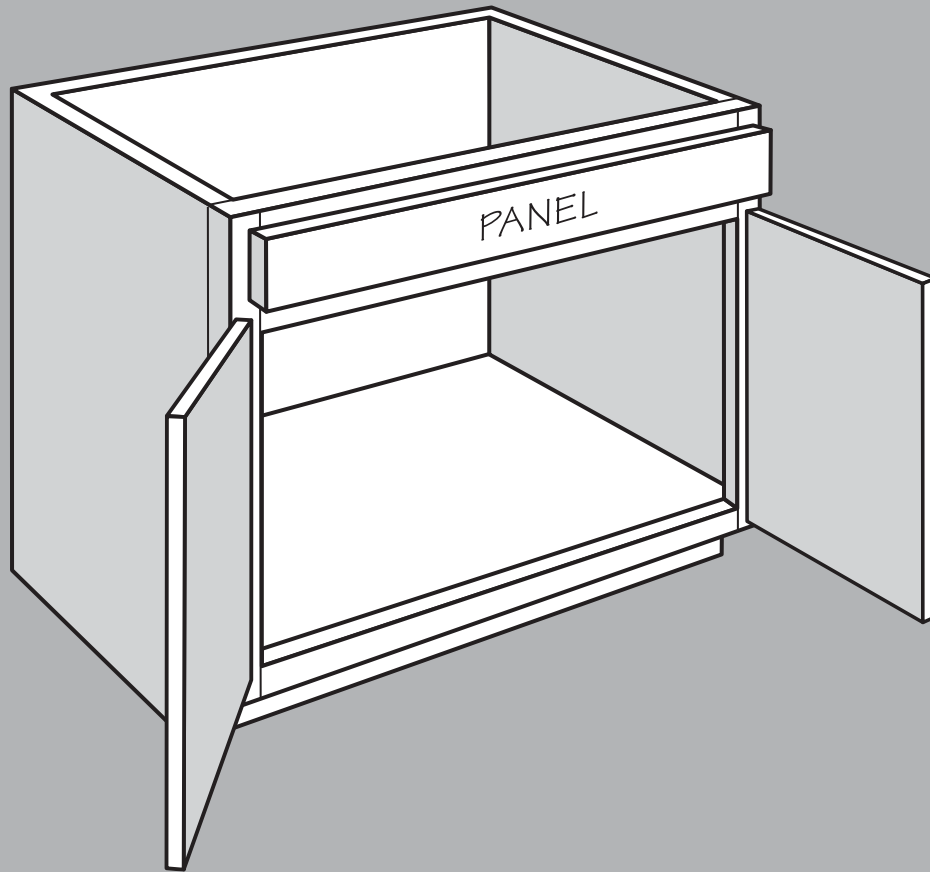
Heat Shield Kit



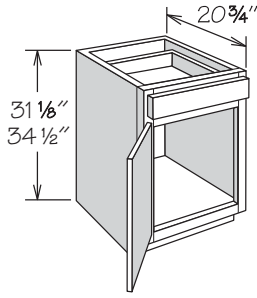
- Field installation accessory
- For use as heat shield on Edgeworth Duraform
- Protects doors and drawer fronts from adjacent heat source (built-in ovens, under counter ovens, drop-in or free-standing ranges)
- Kit features:
 - Two 1/16" metal heat shields finished to match cabinet box exterior
 - One strip of QM8 molding shield finished to match cabinet box exterior

HSK

Vanity Cabinets



Vanity Base - 1 Door and 1 Drawer



- No shelf
- Door is hinged left and can be reversed in the field
- Not drilled for adjustable shelf

AH ■
APC
CFO
FE
PE
RD
RTK

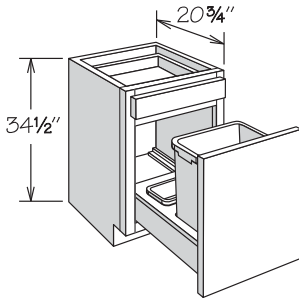
34 1/2" HIGH

- VB1234H ■
- VB1534H ■
- VB1834H ■
- VB2134H ■

31 1/8" HIGH

- VB12
- VB15
- VB18
- VB21

Vanity Base Cabinet - 1 Drawer and 1 Door with Wastebasket Pull-Out



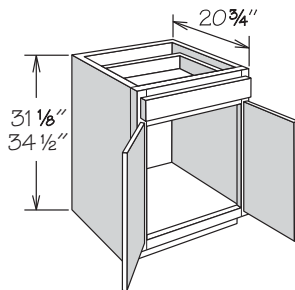
- Wastebasket rests in a natural finish wood frame
- Wastebasket pull-out features heavy-duty, 132-pound rated glides
- Features one silver plastic 35-quart capacity bin and bag storage tray at rear (not dishwasher safe)
- Decorative hardware strongly recommended

AH
APC
FE
PE
RTK

34 1/2" HIGH

- VWBB1834H

Vanity Base - 2 Butt Doors and 1 Drawer



- No shelf
- Not drilled for adjustable shelf

AH ■
APC
CFO
FE
PE
RD
RTK

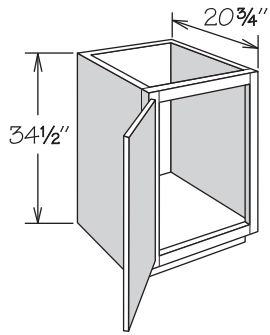
34 1/2" HIGH

- VB2434H BUTT ■
- VB2734H BUTT ■
- VB3034H BUTT ■
- VB3334H BUTT ■
- VB3634H BUTT ■

31 1/8" HIGH

- VB24 BUTT
- VB27 BUTT
- VB30 BUTT
- VB33 BUTT
- VB36 BUTT

Vanity Full-Height Base - 1 Door



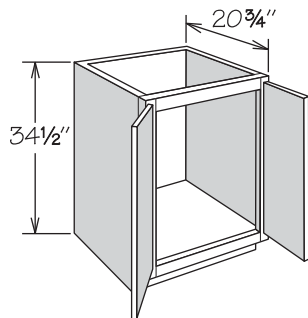
- Full-height door
- No shelf
- Not drilled for adjustable shelf
- Door is hinged left and can be reversed in the field

AH
APC
CFO
FE
PE
RD
RTK

34 1/2" HIGH

VB1234H FH
 VB1534H FH
 VB1834H FH
 VB2134H FH

Vanity Full-Height Base - 2 Butt Doors



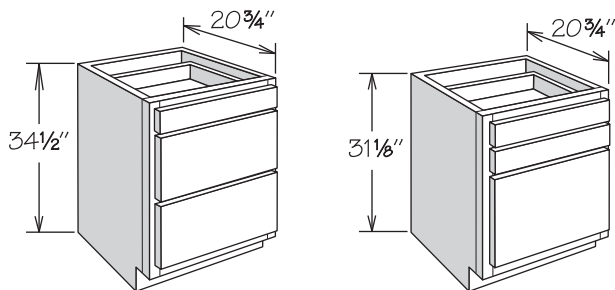
- Full-height doors
- No shelf
- Not drilled for adjustable shelf

AH
APC
CFO
FE
PE
RD
RTK

34 1/2" HIGH

VB2434H BUTT FH
 VB3034H BUTT FH
 VB3634H BUTT FH

Vanity Drawer Base - 3 Drawers



- VDB_34H features one standard and two large drawers
- VDB_ features one large and two standard drawers

AH ■
APC
CFO
FE
PE
RD
RTK

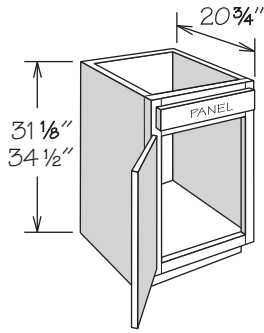
34 1/2" HIGH

VDB1234H ■
 VDB1534H ■
 VDB1834H ■
 VDB2134H ■
 VDB2434H ■

31 1/8" HIGH

VDB12
 VDB15
 VDB18
 VDB21
 VDB24

Vanity Sink Base - 1 Door



- No shelf
- Subtract 1/2" from depth and width for available sink bowl opening
- Door is hinged left and can be reversed in the field

AH ■
APC
CFO
FE
PE
RD
RTK

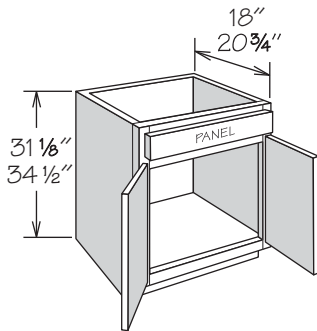
34 1/2" HIGH

VSB1534H ■
VSB1834H ■
VSB2134H ■

31 1/8" HIGH

VSB15
VSB18
VSB21

Vanity Sink Base - 2 Butt Doors



- No shelf
- Subtract 1/2" from depth and width for available sink bowl opening

AH ■
APC
CFO
FE
PE
RD
RTK

34 1/2" HIGH

20 3/4" Deep

VSB2434H BUTT ■
VSB2734H BUTT ■
VSB3034H BUTT ■
VSB3334H BUTT ■
VSB3634H BUTT ■

18" Deep

VSB241834H BUTT
VSB301834H BUTT
VSB361834H BUTT

31 1/8" HIGH

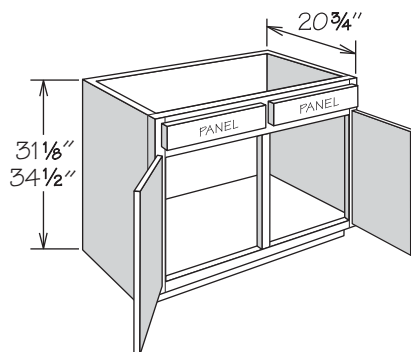
20 3/4" Deep

VSB24 BUTT
VSB27 BUTT
VSB30 BUTT
VSB33 BUTT
VSB36 BUTT

18" Deep

VSB2418 BUTT
VSB3018 BUTT
VSB3618 BUTT

Vanity Sink Base - 2 Doors



- No shelf
- Subtract 1/2" from depth and width for available sink bowl opening

AH ■
APC
CFO
FE
PE
RD
RTK

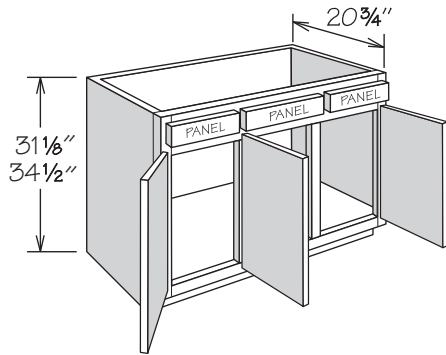
34 1/2" HIGH

VSB3934H ■
VSB4234H ■

31 1/8" HIGH

VSB39
VSB42

Vanity Sink Base - 3 Doors



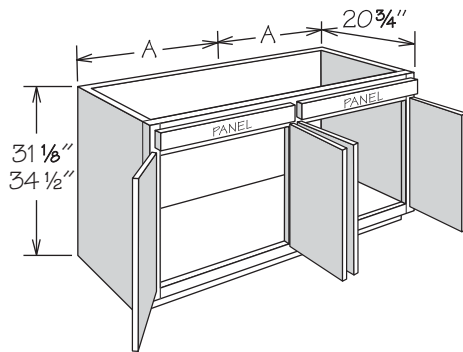
- No shelf
- Subtract 1/2" from depth and width for available sink bowl opening
- Hinged as shown - can be reversed in the field

AH ■
APC
CFO
FE
PE
RD
RTK

34 1/2" HIGH
VSB4834H ■

31 1/8" HIGH
VSB48

Vanity Sink Base - 4 Butt Doors



- No shelf
- Subtract 1/2" from depth and each dimension A for available sink bowl openings

AH ■
APC
CFO
FE
PE
RD
RTK

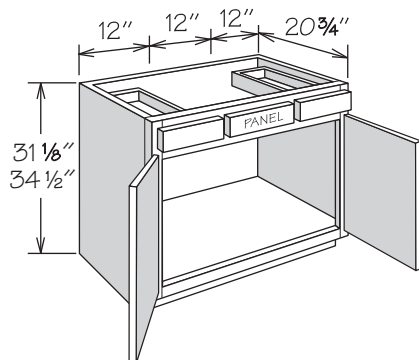
34 1/2" HIGH
VSB5434H BUTT ■
VSB6034H BUTT ■

A
27"
30"

31 1/8" HIGH
VSB54 BUTT
VSB60 BUTT

A
27"
30"

Vanity Sink Base - 2 Butt Doors and 2 Drawers



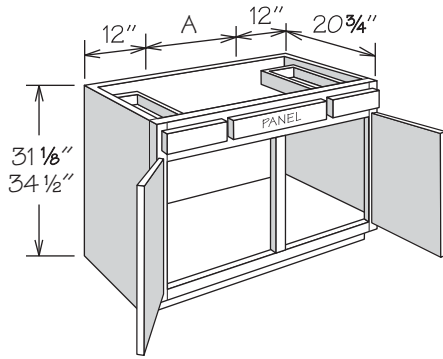
- No shelf
- Top drawer on each side of sink bowl opening
- Subtract 1/2" from depth for available sink bowl opening
- Features two DRB9_ to accommodate sink bowl opening up to 18"

AH ■
APC
CFO
FE
PE
RD
RTK

34 1/2" HIGH
VAN3634H BUTT ■

31 1/8" HIGH
VAN36 BUTT

Vanity Sink Base - 2 Doors and 2 Drawers

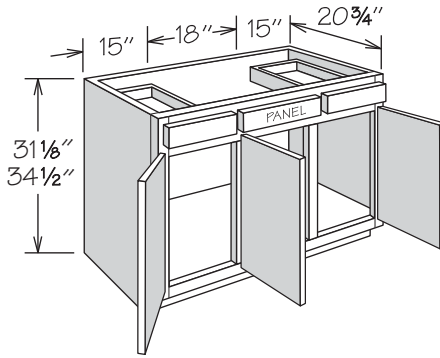


- No shelf
- Top drawer on each side of sink bowl opening
- Subtract 1/2" from depth for available sink bowl opening

AH ■
APC
CFO
FE
PE
RD
RTK

34 1/2" HIGH	A	MAX. SINK OPENING	31 1/8" HIGH	A	MAX. SINK OPENING
VAN3934H ■	15"	18"	VAN39	15"	18"
VAN4234H ■	18"	21"	VAN42	18"	21"

Vanity Sink Base - 3 Doors and 2 Drawers

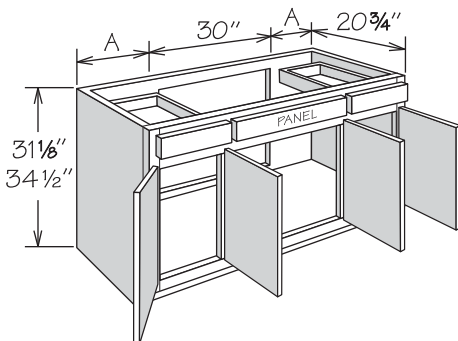


- No shelf
- Top drawer on each side of sink bowl opening
- Subtract 1/2" from depth for available sink bowl opening
- Hinged as shown - can be reversed in the field
- Maximum sink bowl opening is 21" wide

AH ■
APC
CFO
FE
PE
RD
RTK

34 1/2" HIGH	31 1/8" HIGH
VAN4834H ■	VAN48

Vanity Sink Base - 4 Butt Doors and 2 Drawers



- No shelf
- Top drawer on each side of sink bowl opening
- Subtract 1/2" from depth for available sink bowl opening
- Maximum sink bowl opening is 33" wide

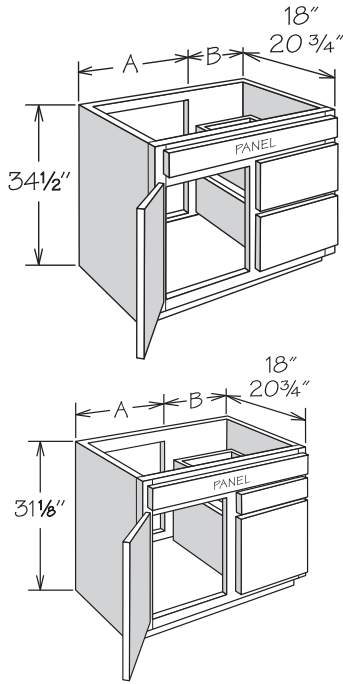
AH ■
APC
CFO
FE
PE
RD
RTK

34 1/2" HIGH	A	31 1/8" HIGH	A
VAN5434H BUTT ■	12"	VAN54 BUTT	12"
VAN6034H BUTT ■	15"	VAN60 BUTT	15"

Vanity Combo Sink Base - 1 Door and 2 Drawers

NEW!

UPDATE

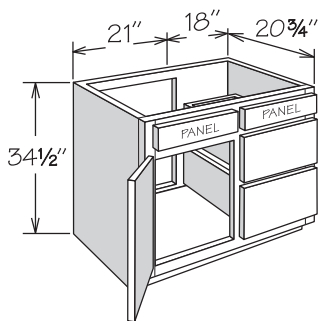


- **UPDATE!** Now features one top panel
- No shelf
- Allow for plumbing placement to clear drawers
- Drawers available on right or left side (please specify)
- Cabinet shown is right indicating drawers on the right side of the cabinet
- Subtract 1/2" from depth and overall cabinet width for available sink bowl opening

AH ■
APC
CFO
FE
PE
RD
RTK

34 1/2" HIGH 20 3/4" Deep	A	B	31 1/8" HIGH 20 3/4" Deep	A	B
VSDB2434H ■	12"	12"	VSDB24	12"	12"
VSDB2734H ■	15"	12"	VSDB27	15"	12"
VSDB3034H ■	18"	12"	VSDB30	18"	12"
VSDB3334H ■	21"	12"	VSDB33	21"	12"
VSDB3634H ■	21"	15"	VSDB36	21"	15"
18" Deep			18" Deep		
VSDB241834H	12"	12"	VSDB2418	12"	12"
VSDB271834H	15"	12"	VSDB2718	15"	12"
VSDB301834H	18"	12"	VSDB3018	18"	12"
VSDB331834H	21"	12"	VSDB3318	21"	12"
VSDB361834H	21"	15"	VSDB3618	21"	15"

Vanity Combo Sink Base - 1 Door and 2 Drawers

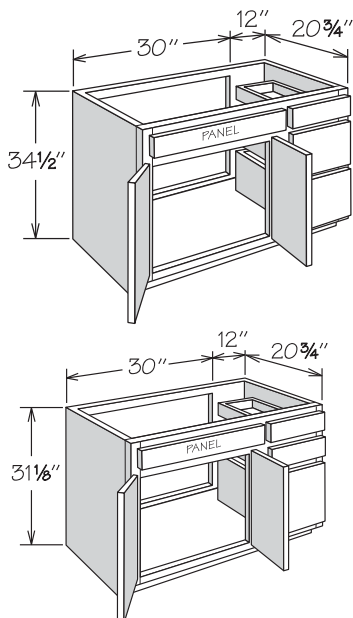


- No shelf
- Allow for plumbing placement to clear drawers
- Drawers available on right or left side (please specify)
- Cabinet shown is right indicating drawers on the right side of the cabinet
- Subtract 1/2" from depth and overall cabinet width for available sink bowl opening

AH
APC
CFO
FE
PE
RD
RTK

34 1/2" HIGH
VSDB3934H

Vanity Combo Sink Base - 2 Butt Doors and 3 Drawers



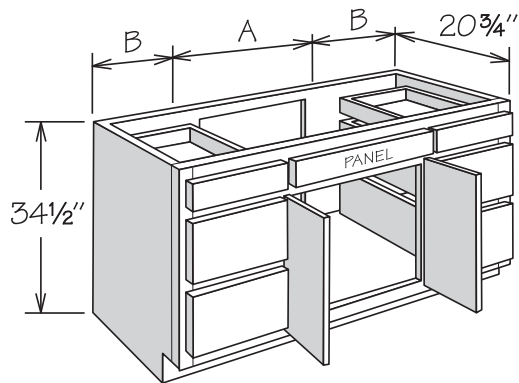
- No shelf
- Drawers available on right or left side (please specify)
- Cabinet shown is right indicating drawers on the right side of the cabinet
- Maximum sink bowl opening is 28 1/2" wide
- Requires off center sink bowl opening

AH ■
APC
CFO
FE
PE
RD
RTK

34 1/2" HIGH
VSDB4234H BUTT ■

31 1/8" HIGH
VSDB42 BUTT

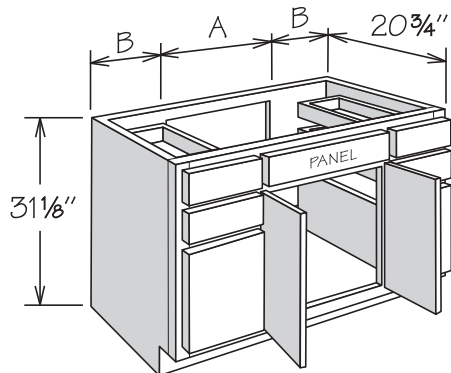
Vanity Combo Sink Base - 2 Butt Doors and 6 Drawers



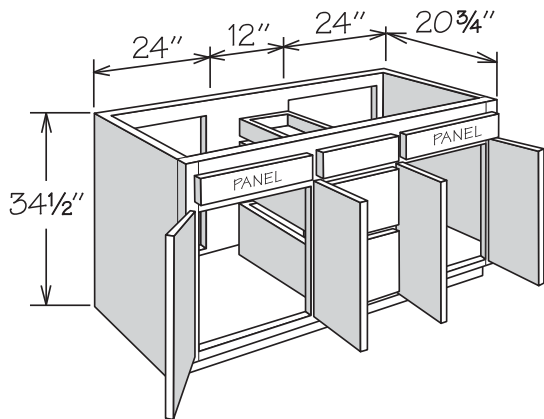
- No shelf
- Subtract 1/2" from depth and dimension A for available sink bowl opening

AH ■
APC
CFO
FE
PE
RD
RTK

34 1/2" HIGH	A	B	31 1/8" HIGH	A	B
VSDB4834HD BUTT ■	24"	12"	VSDB48D BBUTT	24"	12"
VSDB5434HD BUTT ■	24"	15"	VSDB54D BBUTT	24"	15"
VSDB6034HD BUTT ■	30"	15"	VSDB60D BBUTT	30"	15"



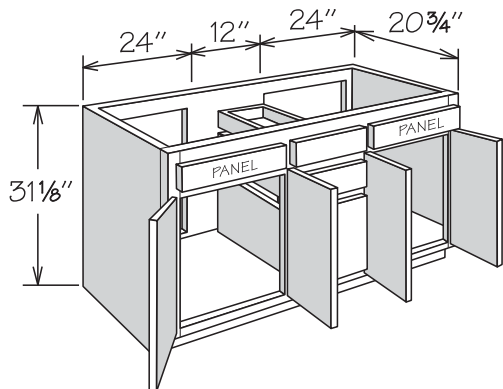
Vanity Combo Sink Base - 4 Butt Doors and 3 Drawers



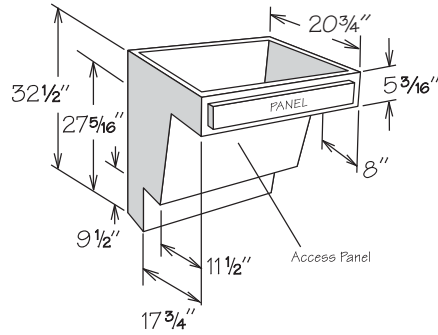
- No shelf
- Subtract 1/2" from depth and each 24" dimension for available sink bowl openings

AH ■
APC
CFO
FE
PE
RD
RTK

34 1/2" HIGH	31 1/8" HIGH
VSDB6034HC BUTT ■	VSDB60C BUTT



Vanity Sink Base - Vanity Plumbing Skirt



- Removable front access panel
- Features plywood sides
- Subtract 1/2" from width and depth for available sink bowl opening
- Maximum available height inside cabinet for sink bowl is 5"
- Water lines, drains, and P-Trap must be installed at 6" maximum from wall
- Refer to sink manufacturer's specifications for adequate clearance and required installation materials
- Matching toe kick included
- Must be installed between two cabinets or a cabinet and a wall
- May be used with Vanity Adaptable Sink Base Kit (ASB) - order separately

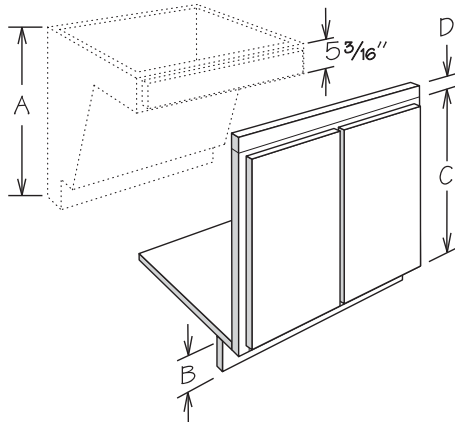
APC
FE

32 1/2" HIGH

VPS30 UD
VPS36 UD

Vanity Adaptable Sink Base Kit

NEW! PRODUCT



- For use with Vanity Plumbing Skirt (VPS) - MUST be ordered separately
- Kit contains:
 - » Face frame with hinged butt doors
 - » One Tall Filler (S3S396)
 - » Two Drawer Fasteners (DDF FASTENER)
 - » One Sink Floor (FL36)
 - » One Hardwood Cleat (HWC 2X4X96)
 - » Installation instructions
- Kit must be assembled in the field
- Features CushionClose hinges standard

A VPS	B DESIRED TOE KICK HEIGHT	C FACE FRAME HEIGHT	D TRIMMED S3S	KIT
32 1/2"	2"	24 1/2"	13/16"	ASB_34 KIT
32 1/2"	4"	20 5/8"	2 11/16"	ASB_32 KIT

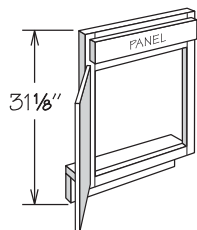
20 5/8" Frame

[ASB3032 KIT](#)
[ASB3632 KIT](#)

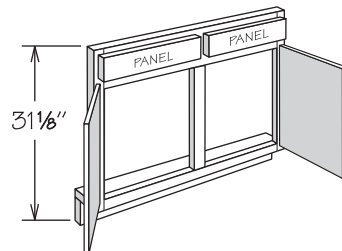
24 1/2" Frame

[ASB3034 KIT](#)
[ASB3634 KIT](#)

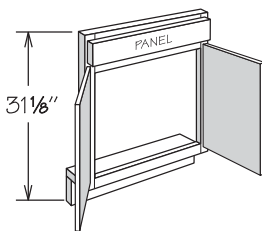
Vanity Sink Front



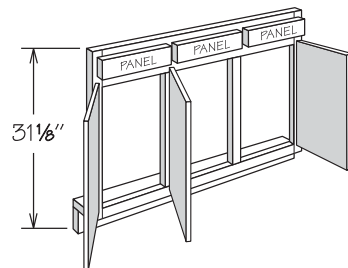
1 DOOR



2 DOORS



2 BUTT DOORS



3 DOORS

- Not trimmable
- Order floor and returns separately (field trimming may be required) - refer to Panel Section for availability (page 162-163)
- VSF48 hinged as shown, can be reversed in field

31 1/8" HIGH

1 Door

VSF21

2 Butt Doors

VSF24 BUTT

VSF30 BUTT

VSF36 BUTT

2 Doors

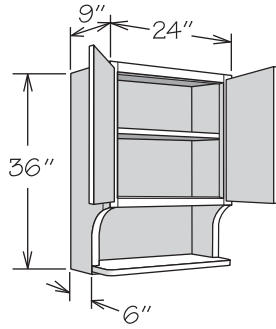
VSF39

VSF42

3 Doors

VSF48

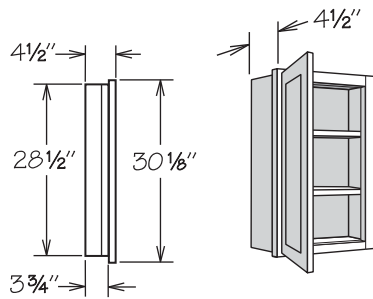
Valet Cabinet - 2 Butt Doors



- Matching interior standard
- Flush sides with no face frame or 1/4" reveals
- Bottom opening: 22 1/2" x 10 7/8"
- Features a fixed shelf
- Sides and bottom shelf feature 3/4" engineered wood veneered on both sides

VC2436 BUTT

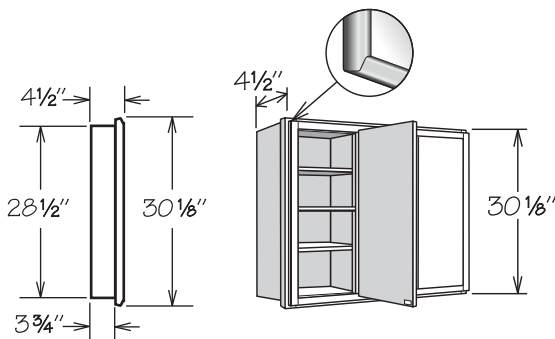
Medicine Cabinet - 1 Door



- Two adjustable engineered wood shelves
- Surface or recess mount
- MCM1530 features a mirrored door
- For surface mount installation, trim and apply WEP30 (order separately) to match finish on exterior sides to cabinet frame
- Breeze, Pewter and Linen (Painted and Duraform) door styles feature Matching Interior standard
- Not available with CushionClose hinges

28 1/2" HIGH	RECESS MOUNT CUTOUT WIDTH	RECESS MOUNT CUTOUT HEIGHT
MC1530	14 1/2"	28 1/2"
MCM1530	14 1/2"	28 1/2"

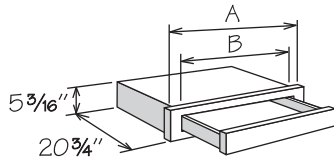
Tri-View Mirror - 3 Doors



- Features one large opening with two left hinged doors and one small opening with a right hinged door - can be flipped in the field
- Six adjustable shelves (3 per section)
- Surface or recess mount
- For surface mount installation, trim and apply WEP30 (order separately) to match finish on exterior sides to cabinet frame
- Chrome hardware
- Breeze, Pewter and Linen (Painted and Duraform) door styles feature Matching Interior standard
- Not available with CushionClose hinges

	OVERALL WIDTH	OVERALL HEIGHT	RECESS MOUNT CUTOUT WIDTH	RECESS MOUNT CUTOUT HEIGHT
TV3030	30"	30 1/8"	28 1/2"	28 1/2"
TV3630	36"	30 1/8"	34 1/2"	28 1/2"

Kneehole Drawer Cabinet - 1 Drawer

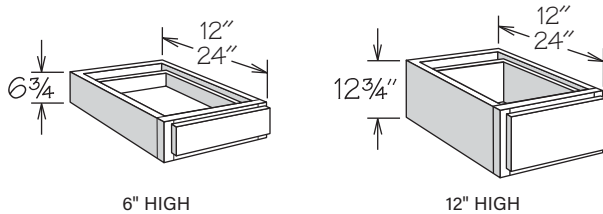


- Designed for desk or vanity application
- Field trimmable in height to 4 3/4"
- Field trimmable in depth to 18" or available with RD-20 through RD-12
- Drawer front complements door style - refer to door style section

RD

	A	B	MAX. TRIM
KDC27/21	27"	17 3/4"	21" (3" each side)
KDC33/27	33"	23 3/4"	27" (3" each side)
KDC36/33	36"	29 3/4"	33" (1 1/2" each side)

Furniture Drawer Cabinet - 1 Drawer



- 6" high features one standard drawer and 12" high features one large drawer
- 24" deep Furniture Drawer cabinets are only available with RD-23 through RD-13
- Bottom of cabinet frame must be fully supported

APC
CFO
FE
PE
RD ■

6" HIGH - 1 DRAWER

12" Deep

FD121206
FD151206
FD181206
FD211206
FD241206
FD271206
FD301206
FD331206
FD361206

24" Deep

FD122406 ■
FD152406 ■
FD182406 ■
FD212406 ■
FD242406 ■
FD272406 ■
FD302406 ■
FD332406 ■
FD362406 ■

12" HIGH - 1 DRAWER

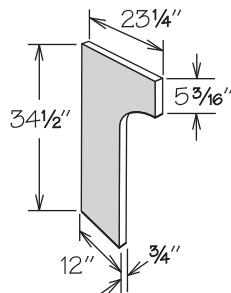
12" Deep

FD121212
FD151212
FD181212
FD211212
FD241212
FD271212
FD301212
FD331212
FD361212

24" Deep

FD122412 ■
FD152412 ■
FD182412 ■
FD212412 ■
FD242412 ■
FD272412 ■
FD302412 ■
FD332412 ■
FD362412 ■

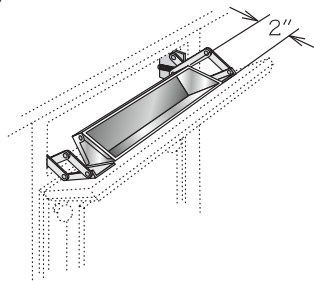
Desk End Panel



- All door styles feature 3/4" veneered engineered wood finished to match cabinet box exterior on both sides
- Recommend QM8 be ordered for installation to ensure proper attachment to wall
- Field trimmable
- Edge banded on front

DEP

Tilt-Out Tray Kit



- Field installation accessory
- Kit features tray and one pair of scissor hinges
- For use on existing drawer panels for 20 3/4" or 18" deep vanity cabinets
- STO TRAY 11 or TO TRAY 11:
 - » Order one unit for VSB18, VSB48 (center only) or VAN48
- STO TRAY 14 or TO TRAY 14:
 - » Order one unit for VSB21, VSB24, VSB27, VSDB24, VSDB27, VSDB39, VSDB48D or VSDB54D
 - » Order two units for VSB42, VSB54 or VSDB60C
- STO TRAY 22 or TO TRAY 22:
 - » Order one unit for VSB30, VSB33, VSB36, VAN54, VAN60, VSDB30, VSDB33, VSDB36, VSDB42 or VSDB60D
 - » Order two units for VSB60 Tilt-Out
- Trays are NOT dishwasher safe

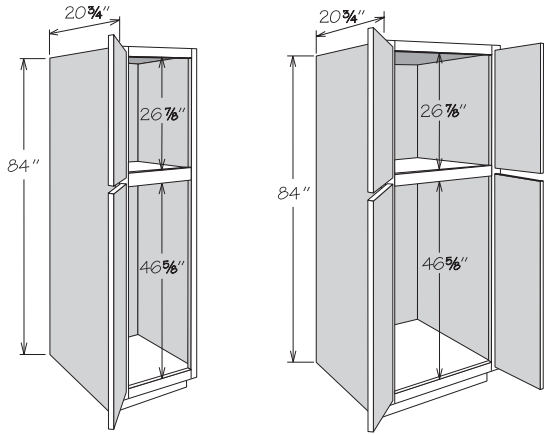
STAINLESS

STO TRAY 11
STO TRAY 14
STO TRAY 22

PLASTIC

TO TRAY 11
TO TRAY 14
TO TRAY 22

Vanity Linen Cabinet



2 DOORS

4 BUTT DOORS

- Shelving and optional interior accessories may be ordered separately (refer to vanity linen cabinet accessories for details)
- Cabinet backs are pre-drilled to accept up to four Deep Roll Out Trays in lower section
- Two door cabinets must be ordered hinged left or right
- Specialty Door cabinets (SD) feature Matching Interior standard and require a specialty door selection
- Bottom doors will have a center rail for select door styles - refer to door style section

APC
CFO
FE
MI ■
PE
RD

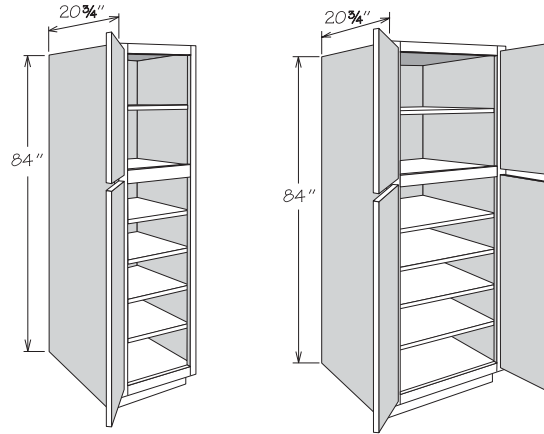
2 DOORS

VLC122184 ■
 VLC152184 ■
 VLC182184 ■
 VLC122184 SD
 VLC152184 SD
 VLC182184 SD

4 BUTT DOORS

VLC242184 BUTT ■
 VLC242184 BUTT SD

Vanity Linen Cabinet - Adjustable Shelves



2 DOOR

4 BUTT DOORS

- Features one full-depth adjustable shelf in top section and four full-depth adjustable shelves in lower section
- All shelving packaged separately for field installation
- Two door cabinets must be ordered hinged left or right
- Specialty Door cabinets (SD) feature Matching Interior standard and require a specialty door selection
- Bottom doors have a center rail for select door styles - refer to door style section

APC
FE
MI ■
PE
RD

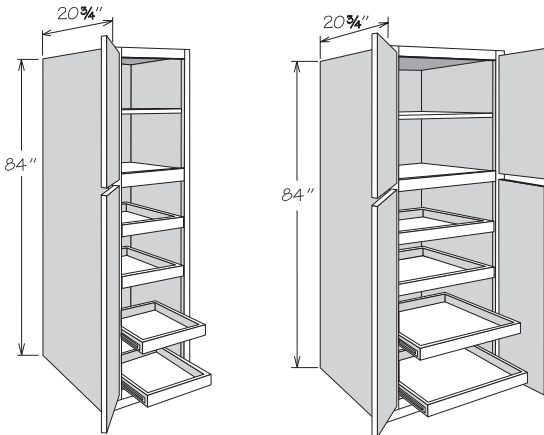
2 DOORS

VLC122184 AS ■
 VLC152184 AS ■
 VLC182184 AS ■
 VLC122184 AS SD
 VLC152184 AS SD
 VLC182184 AS SD

4 BUTT DOORS

VLC242184 AS BUTT ■
 VLC242184 AS BUTT SD

Vanity Linen Cabinet - Deep Roll Out Trays



2 DOOR

4 BUTT DOORS

- Features one full-depth adjustable shelf in top section and four Deep Roll Out Trays in lower section
- Adjustable shelf and Deep Roll Out Trays packaged separately
- Two door cabinets must be ordered hinged left or right
- Specialty Door cabinets (SD) feature Matching Interior standard and require a specialty door selection
- Bottom doors have a center rail for select door styles - refer to door style section

APC
FE
MI ■
PE
RD

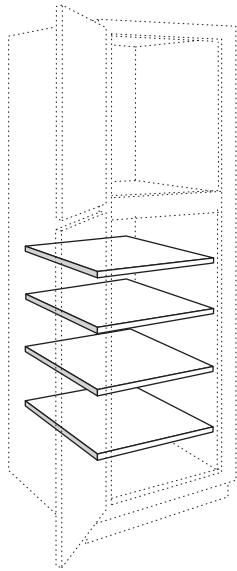
2 DOORS

VLC122184 4ROT ■
 VLC152184 4ROT ■
 VLC182184 4ROT ■
 VLC122184 4ROT SD
 VLC152184 4ROT SD
 VLC182184 4ROT SD

4 BUTT DOORS

VLC242184 4ROT BUTT ■
 VLC242184 4ROT BUTT SD

Vanity Linen Cabinet • Adjustable Shelves



- Field installation accessory
- ¾" engineered wood in a natural finish
- Edge banded on front edge only
- CLIP LOCK shelf rests included

APC
MI
RD

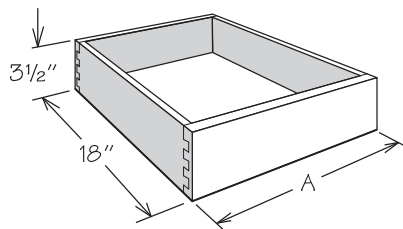
ADJUSTABLE SHELF

S1221
S1521
S1821
S2421

4 PACK SHELF KIT

SK1221
SK1521
SK1821
SK2421

Vanity Linen Cabinet • Deep Roll Out Trays



- Field installation accessory
- Natural finish dovetail drawer with engineered wood bottom
- Includes tray, all glide hardware and installation instructions

RD

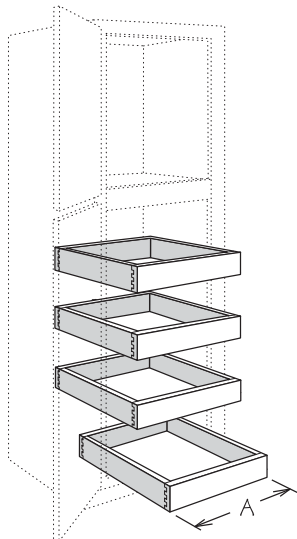
SINGLE DEEP ROLL OUT TRAY KIT

DROT1221
DROT1521
DROT1821
DROT2421

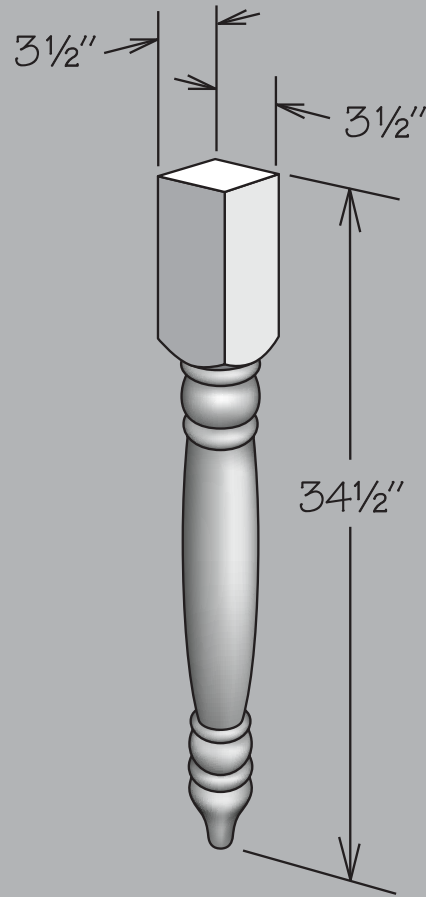
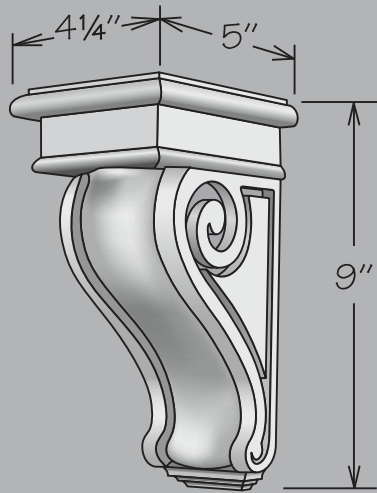
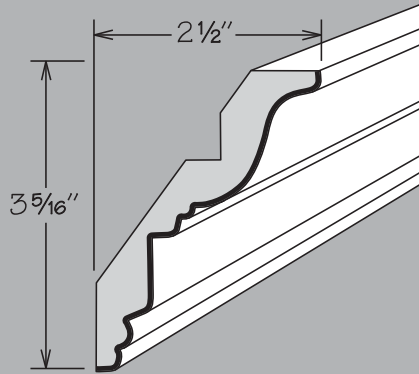
4 PACK DEEP ROLL OUT TRAY KIT

DROT1221-4K
DROT1521-4K
DROT1821-4K
DROT2421-4K

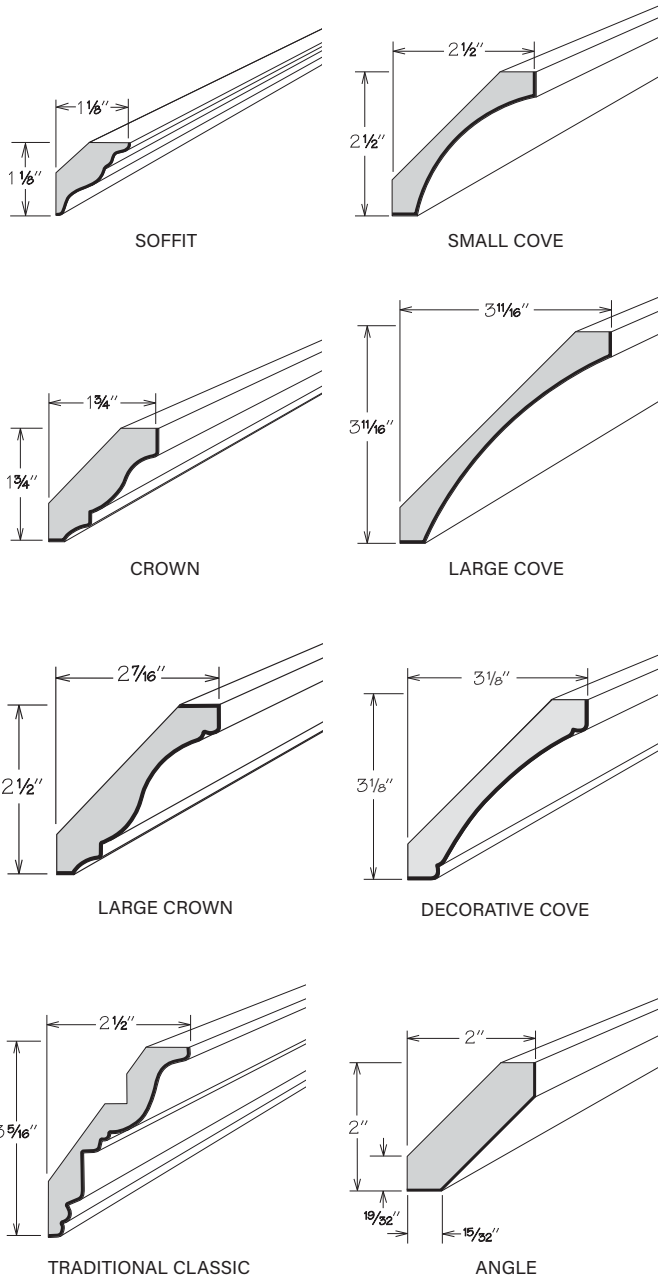
A
7 ¾"
10 ¾"
13 ¾"
19 ¾"



MOLDING & DECORATIVE ACCENTS



Crown Molding



- 94" long
- Wood and Painted finishes feature solid wood finished to match cabinet box exterior - glazed finishes on CM8, DSCVM8, LCM8, SCM8 and TCCM8 will be glazed
- Duraform Breeze and Drift finishes:
 - » Feature Duraform textured-wrapped engineered wood to match cabinet door for ACM8 DT, SCVM8 DT, and LCV8 DT
 - » Feature solid wood finished to match cabinet box exterior for SCM8, CM8, LCM8, TCCM8, ACM8, SCVM8, LCV8, and DCVM8
- Duraform Espresso, Harbor, Linen and Stone finishes:
 - » Feature Duraform wrapped engineered wood for SCM8, CM8, TCCM8, and ACM8
 - » Feature solid wood finished to match cabinet box exterior for SCVM8, LCV8, and DCVM8
- TCCM8 may use OGE8, SBIM8, or SIM8 as accent
- Bold line indicates finished surfaces

SOFFIT

SCM8

SMALL COVE

SCVM8
SCVM8 DT

CROWN

CM8

LARGE COVE

LCVM8
LCVM8 DT

LARGE CROWN

LCM8

DECORATIVE COVE

DCVM8

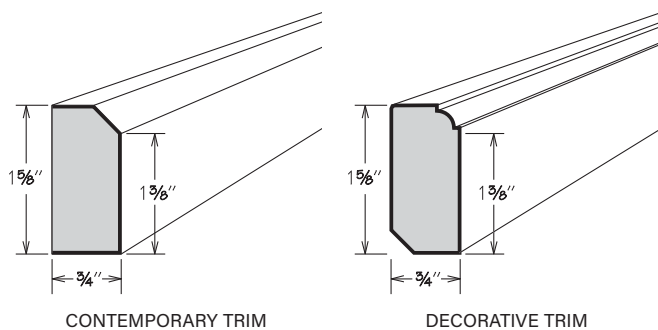
TRADITIONAL CLASSIC

TCCM8

ANGLE

ACM8
ACM8 DT

Edge Molding



- 94" long
- All finishes feature solid wood finished to match cabinet box exterior for CTM8 and DCTM8 - glazed finishes on DTCM8 will be glazed
- Duraform Breeze and Drift finishes feature Duraform textured wrapped engineered wood to match cabinet door for CTM8 DT
- Can be used as light rail molding (cleating may be required)
- Bold line indicates finished surfaces

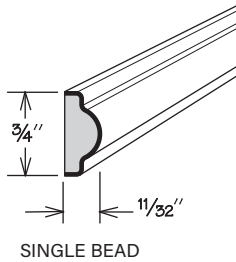
CONTEMPORARY TRIM

CTM8
CTM8 DT

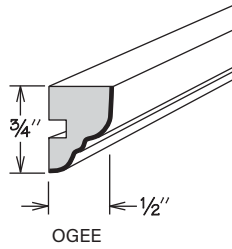
DECORATIVE TRIM

DCTM8

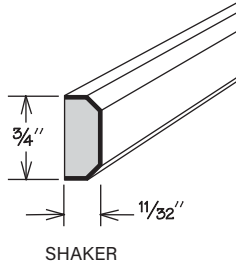
Inset Molding



SINGLE BEAD



OGEE



SHAKER

- 94" long
- All finishes feature solid wood finished to match cabinet box exterior - glazed finishes on OGE8 and SBIM8 will be glazed
- May be used as accent on TCCM8 and ILR8
- Bold line indicates finished surfaces

SINGLE BEAD

SBIM8

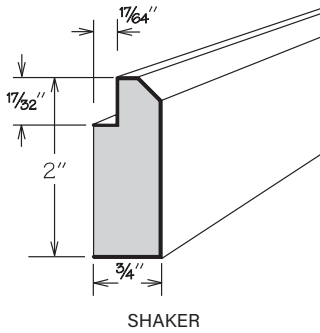
OGEE

OGE8

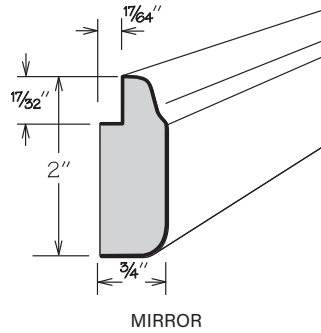
SHAKER

SIM8

Mirror Molding



SHAKER



MIRROR

- 94" long
- All finishes feature solid wood finished to match cabinet box exterior - glazed finishes on MM8 will be glazed
- Bold line indicates finished surfaces

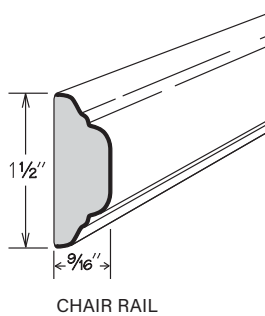
SHAKER

SMM8

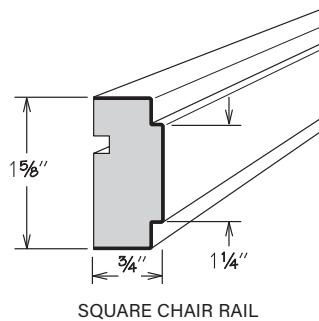
MIRROR

MM8

Chair Rail and Specialty Molding



CHAIR RAIL



SQUARE CHAIR RAIL

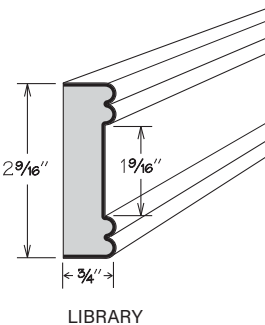
- 94" long
- All finishes feature solid wood finished to match cabinet box exterior - glazed finishes will be glazed
- May be used as vertical decorative molding (i.e. seams between bookshelves or in lieu of an overlay filler)
- LBM8 may be used as light rail molding (cleating required)
- Bold line indicates finished surfaces

CHAIR RAIL

CR8

SQUARE CHAIR RAIL

SQCR8

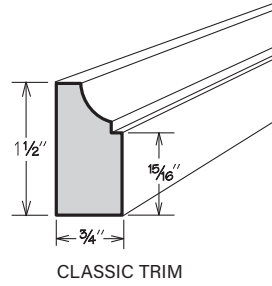
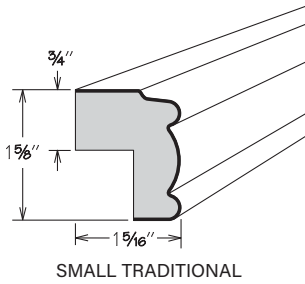
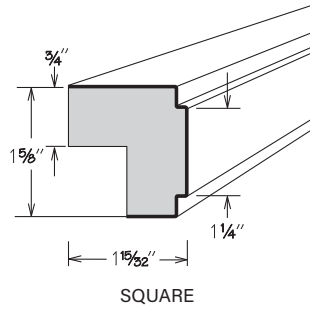
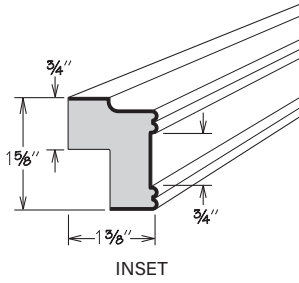


LIBRARY

LIBRARY

LBM8

Light Rail Molding



- 94" long
- All finishes feature solid wood finished to match cabinet box exterior - glazed finishes on ILR8, STLR8 and SCLR8 will be glazed
- ILR8 and LBM8 may use SBIM8 or SIM8 as accent
- CLTM8 can be used as light rail or edge molding (cleating may be required when used as light rail)
- Bold line indicates finished surfaces

INSET

ILR8

SQUARE

SCLR8

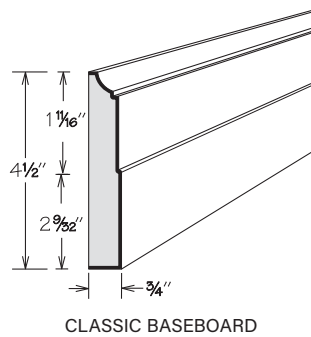
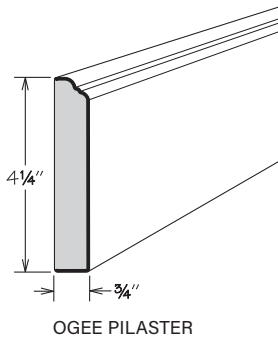
SMALL TRADITIONAL

STLR8

CLASSIC TRIM

CLTM8

Base Molding



- 94" long
- Wood, Painted, and Duraform Breeze and Drift finishes feature solid wood finished to match cabinet box exterior - glazed finishes will be glazed
- Duraform Espresso, Harbor, Linen and Stone door styles:
 - » Feature Duraform wrapped engineered wood finished to match cabinet box exterior for OGP8
 - » Feature solid wood finished to match cabinet box exterior for CLBM8
- For use with furniture toe or top molding applications
- Bold line indicates finished surfaces

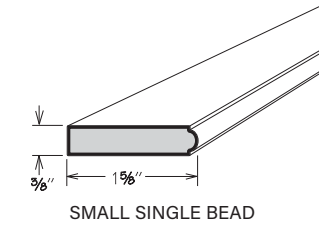
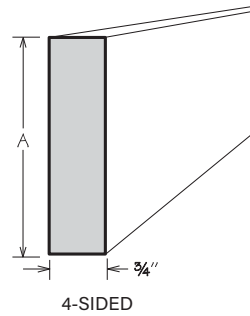
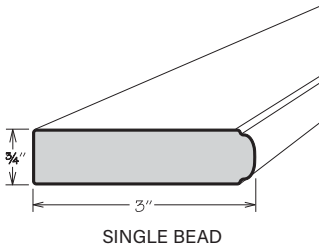
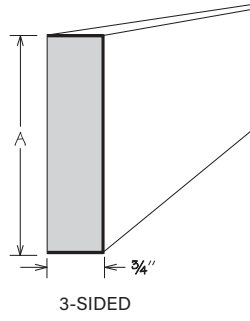
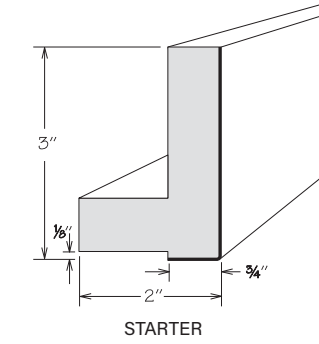
OGEE PILASTER

OGP8

CLASSIC BASEBOARD

CLBM8

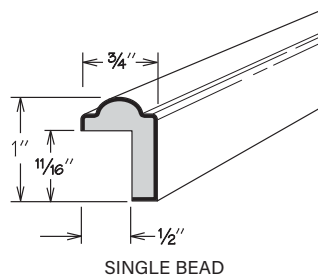
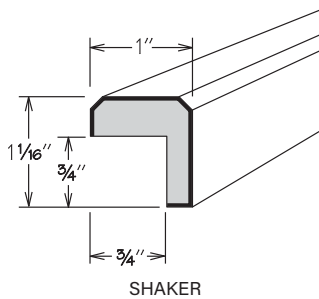
Molding Stock



- All finishes feature solid wood finished to match cabinet box exterior for STRM8, S4S396, S4S696, MSS3S394, MSS3S694, SBM8, and SSBM8 - glazed finishes on SBM8 and SSBM8 will be glazed
- Duraform Breeze and Drift finishes feature Duraform textured-wrapped engineered wood to match cabinet door for S3S396 DT and S3S696 DT
- 3-Sided and 4-Sided Stock may also be used in vertical applications (as a filler) or horizontal applications (as furniture toe)
- Bold line indicates finished surfaces

	LENGTH		LENGTH
STARTER		3-SIDED	
STRM8	94"	MSS3S394	94"
SINGLE BEAD		S3S396 DT	96"
SBM8	94"	MSS3S694	94"
SMALL SINGLE BEAD		S3S696 DT	96"
SSBM8	94"	4-SIDED	
		S4S396	96"
		S4S696	96"

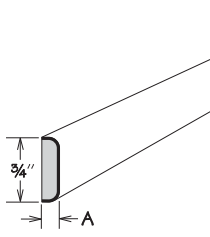
Accent Molding



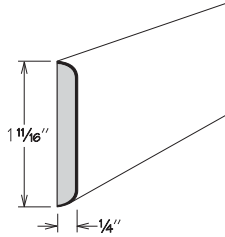
- 94" long
- All finishes feature solid wood finished to match cabinet box exterior - glazed finishes on SBAM8 will be glazed
- May be used as accent on Wall China, Wine Storage and Base Microwave cabinets
- Bold line indicates finished surfaces

SHAKER	SINGLE BEAD
SAM8	SBAM8

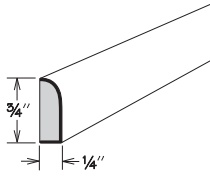
Trim Molding



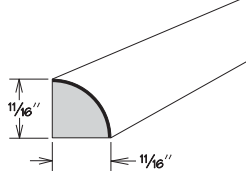
BATTEN



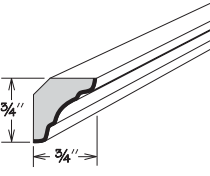
WIDE BATTEN



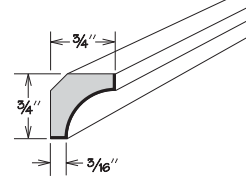
SCRIBE



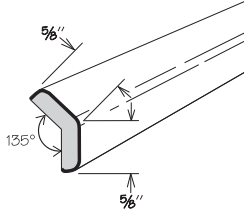
QUARTER ROUND



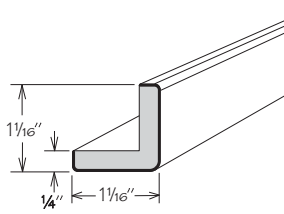
DECORATIVE INSIDE CORNER



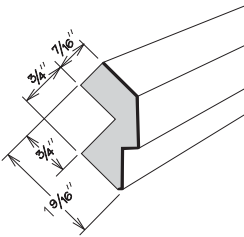
INSIDE CORNER



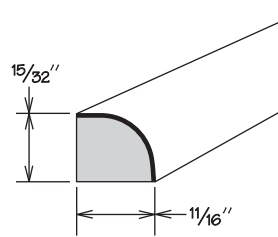
ANGLED OUTSIDE CORNER



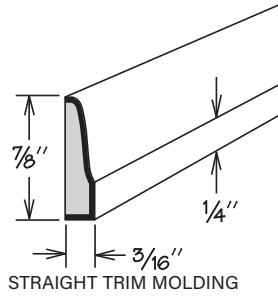
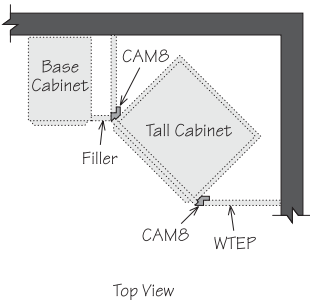
OUTSIDE CORNER



CABINET ANGLE



SHOE

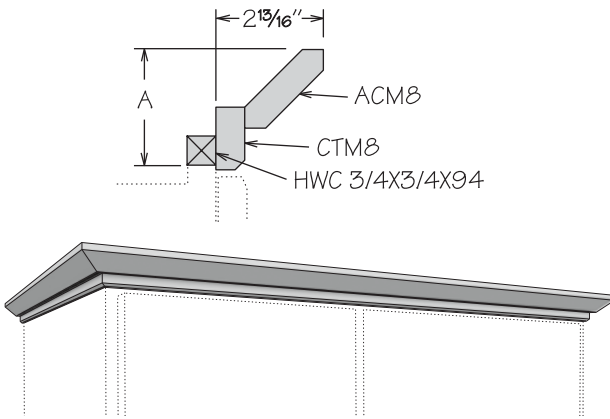


STRAIGHT TRIM MOLDING

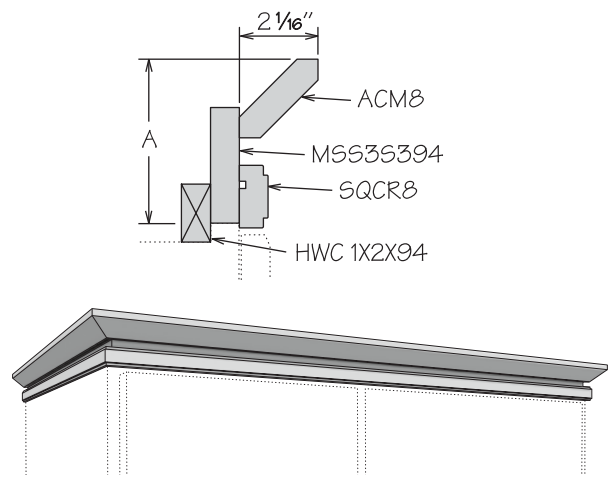
- All finishes feature solid wood finished to match cabinet box exterior for BM8, SM8, SM10, ICM8, AOSC8, CAM8, WBM8, QR8, QM8, OTCM8, SHM8 and UM8 - glazed finishes on ICM8 will be glazed
- Duraform Breeze and Drift finishes feature Duraform textured-wrapped engineered wood to match cabinet door for SM8 DT, QM8 DT, OTCM8 DT, BM8 DT, and SHM8 DT
- Cabinet Angle Molding (CAM8)
 - » Can be used in corner application to place cabinet at 45° angle
 - » Cannot be installed on cabinets with the Furniture Ends Option (FE)
- Bold line indicates finished surfaces

	A	LENGTH		LENGTH
BATTEN			WIDE BATTEN	
BM8	3/16"	94"	WBM8	- 94"
BM8 DT	1/4"	94"		
SCRIBE			QUARTER ROUND	
SM8	-	94"	QR8	- 94"
SM8 DT	-	94"		
SM10	-	120"	INSIDE CORNER	
DECORATIVE INSIDE CORNER			QM8	- 94"
ICM8	-	94"	QM8 DT	- 94"
ANGLED OUTSIDE CORNER			OUTSIDE CORNER	
AOSC8	-	94"	OTCM8	- 94"
CABINET ANGLE			OTCM8 DT	- 94"
CAM8	-	94"	SHOE	
			SHM8	- 94"
			SHM8 DT	- 94"
			STRAIGHT TRIM MOLDING	
			UM8	- 94"

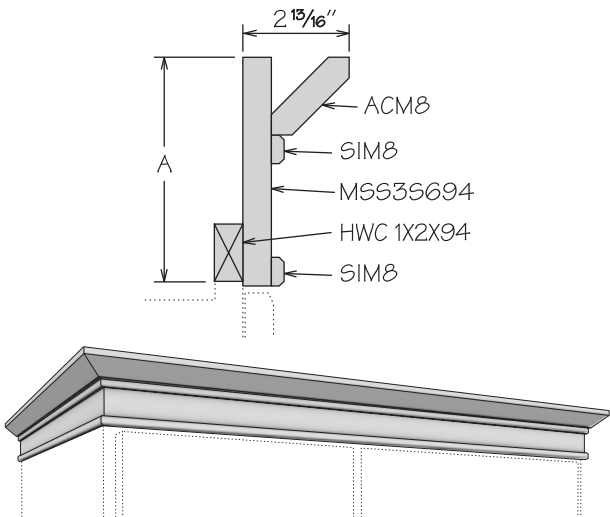
Molding Stack - Modern



MODERN 100



MODERN 200

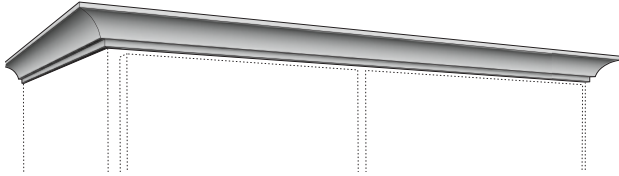
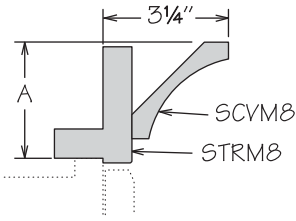


MODERN 300

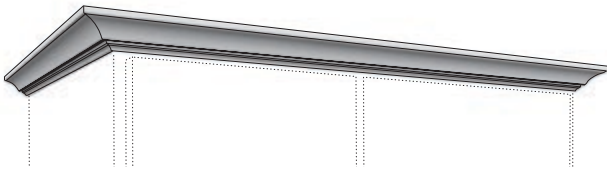
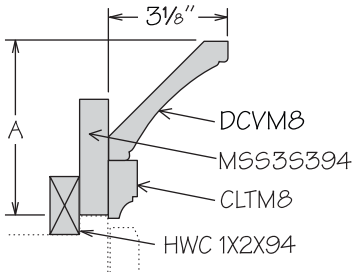
- 94" long
- All door styles feature solid wood finished to match cabinet box exterior
- Height dimensions are above the face-frame height when used as shown
- Modern 100 pre-packaged molding kit includes:
 - » ACM8
 - » CTM8
 - » HWC 3/4X3/4X94
- Modern 200 pre-packaged molding kit includes:
 - » ACM8
 - » MSS3S394
 - » SQCR8
 - » HWC 1X2X94
- Modern 300 pre-packaged molding kit includes:
 - » ACM8
 - » SIM8 (2)
 - » MSS3S694
 - » HWC 1X2X94
- Molding Stacks shipped unassembled
- Molding Stacks to be cut, assembled and field installed at job site
- Only one finish can be specified per Molding Stack
- Molding Stack diagram included
- Refer to specifications on individual molding included in molding stack

MODERN	HEIGHT SHOWN	A MIN.	A MAX.
MS MODERN 100	3"	2 3/16"	3"
MS MODERN 200	4 1/4"	3 9/16"	4 1/2"
MS MODERN 300	5 7/8"	5 7/8"	7 3/8"

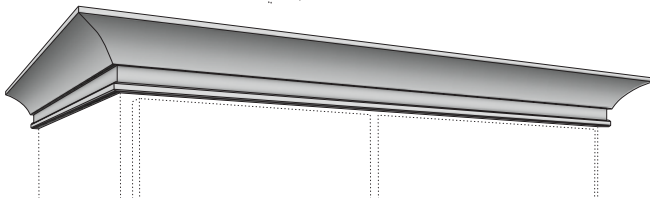
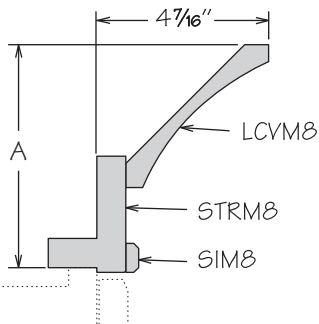
Molding Stack • Transitional



TRANSITIONAL 100



TRANSITIONAL 200

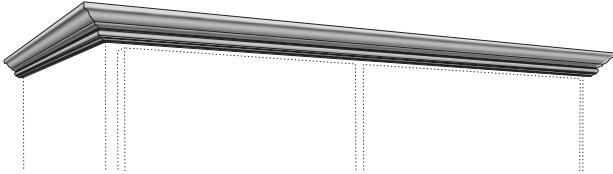
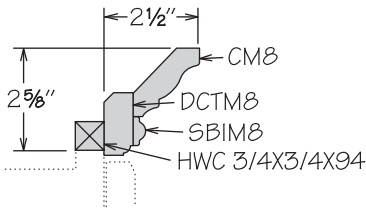


TRANSITIONAL 300

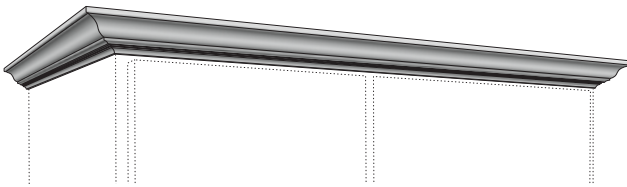
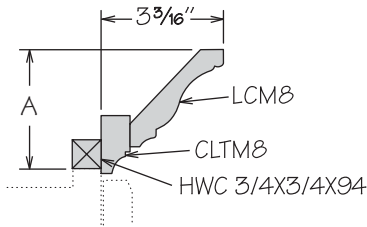
- 94" long
- All door styles feature solid wood finished to match cabinet box exterior
- Height dimensions are the above-face-frame height when used as shown
- Transitional 100 pre-packaged molding kit includes:
 - » SCVM8
 - » STRM8
- Transitional 200 pre-packaged molding kit includes:
 - » DCVM8
 - » MSS3S394
 - » CLTM8
 - » HWC 1X2X94
- Transitional 300 pre-packaged molding kit includes:
 - » LCVMB
 - » STRM8
 - » SIM8
- Molding Stacks shipped unassembled
- Molding Stacks to be cut, assembled and field installed at job site
- Only one finish can be specified per Molding Stack
- Molding Stack diagram included
- Refer to specifications on individual molding included in molding stack

TRANSITIONAL	HEIGHT SHOWN	A MIN.	A MAX.
MS TRANSITIONAL 100	3"	2 7/8"	4 3/4"
MS TRANSITIONAL 200	4 1/2"	4 1/2"	5 1/2"
MS TRANSITIONAL 300	5 3/4"	4 5/16"	5 5/16"

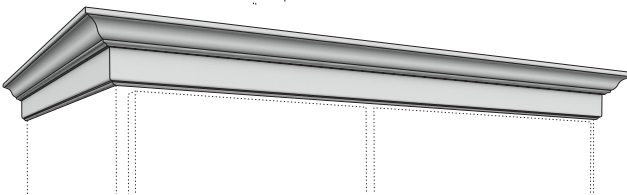
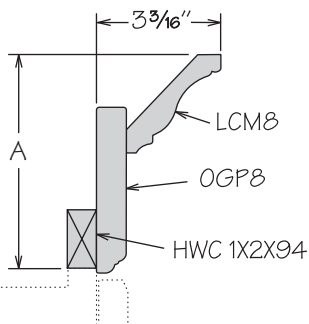
Molding Stack - Classic



CLASSIC 100



CLASSIC 200

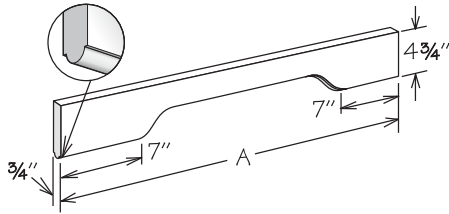


CLASSIC 300

- 94" long
- All door styles feature solid wood finished to match cabinet box exterior
- Height dimensions are the above-face-frame height when used as shown
- Classic 100 pre-packaged molding kit includes:
 - » CM8
 - » DCTM8
 - » SBIM8
 - » HWC 3/4X3/4X94
- Classic 200 pre-packaged molding kit includes:
 - » LCM8
 - » CLTM8
 - » HWC 3/4X3/4X94
- Classic 300 pre-packaged molding kit includes:
 - » LCM8
 - » OGP8
 - » HWC 1X2X94
- Molding Stacks shipped unassembled
- Molding Stacks to be cut, assembled and field installed at job site
- Only one finish can be specified per Molding Stack
- Molding Stack diagram included
- Refer to specifications on individual molding included in molding stack

CLASSIC	HEIGHT SHOWN	A MIN.	A MAX.
MS CLASSIC 100	2 5/8"	-	-
MS CLASSIC 200	3 1/16"	2 15/16"	3 5/16"
MS CLASSIC 300	5 1/2"	4 1/8"	6"

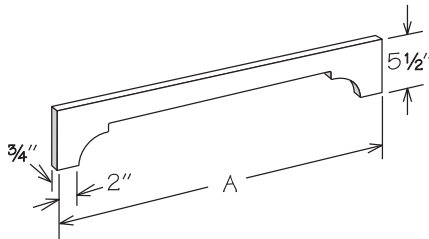
Arched Valance



- Field trimmable
- All door styles feature solid wood finished to match cabinet box exterior
- Dimension from height of arch to top of valance is 2 1/8"

	A	MAX. TRIM (6 1/8" each end)
V36 AR	36 1/4"	24"
V48 AR	48 1/4"	36"
V60 AR	60 1/4"	48"
V72 AR	72 1/4"	60"

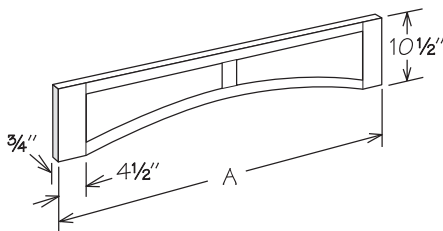
Crown Valance



- Field trimmable
- Features solid wood finished to match cabinet box exterior
- Dimension from height of arch to top of valance is 2 1/4"

	A	MAX. TRIM (1 1/2" each end)
V30 CR	30 1/4"	27 1/4"
V36 CR	36 1/4"	33 1/4"
V42 CR	42 1/4"	39 1/4"
V48 CR	48 1/4"	45 1/4"
V60 CR	60 1/4"	57 1/4"
V72 CR	72 1/4"	69 1/4"

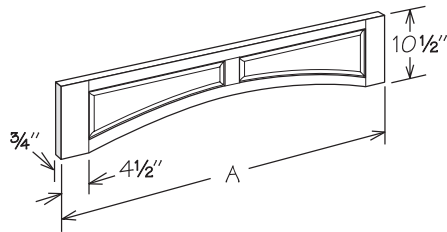
Flat Panel Arched Valance



- Field trimmable
- Features solid wood finished to match cabinet box exterior
- glazed finishes will be glazed
- Dimension from height of arch to top of valance is 8 1/2"

	A	MAX. TRIM (3" each end)	NUMBER OF PANELS
V36 FP	36"	30"	2
V42 FP	42"	36"	2
V48 FP	48"	42"	2
V54 FP	54"	48"	3
V60 FP	60"	54"	3
V66 FP	66"	60"	3
V72 FP	72"	66"	3

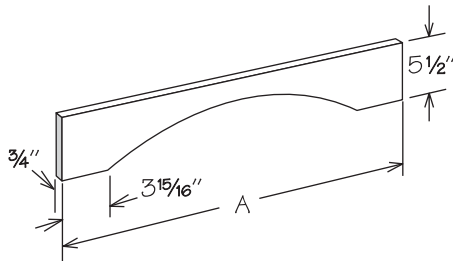
Raised Panel Arched Valance



- Field trimmable
- Features solid wood finished to match cabinet box exterior - glazed finishes will be glazed
- Dimension from height of arch to top of valance is 8 1/2"

	A	MAX. TRIM (3" each end)	NUMBER OF PANELS
V36 RP	36"	30"	2
V42 RP	42"	36"	2
V48 RP	48"	42"	2
V54 RP	54"	48"	3
V60 RP	60"	54"	3
V66 RP	66"	60"	3
V72 RP	72"	66"	3

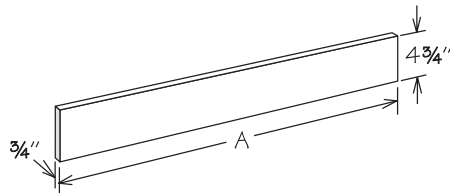
Shaker Valance



- Field trimmable
- Features solid wood finished to match cabinet box exterior
- Dimension from height of arch to top of valance is 2 1/4"

	A	MAX. TRIM (3 3/8" each end)
V30 SH	30 1/4"	24"
V36 SH	36 1/4"	30"
V42 SH	42 1/4"	36"
V48 SH	48 1/4"	42"
V60 SH	60 1/4"	54"
V72 SH	72 1/4"	66"

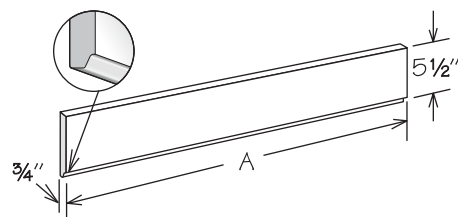
Straight Valance



- Field trimmable
- Features solid wood finished to match cabinet box exterior

	A
V48 S	48 1/4"
V72 S	72 1/4"

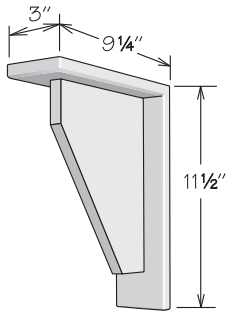
Traditional Valance



- Field trimmable
- Features solid wood finished to match cabinet box exterior - glazed finishes will be glazed

	A
V36 T	36 1/4"
V72 T	72 1/4"
V96 T	96 1/4"

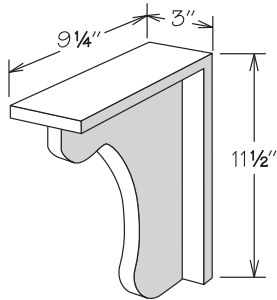
Angled Corbel



- Features 5/8" solid wood finished to match cabinet box exterior - glazed finishes will be glazed
- For decorative use only

AS12

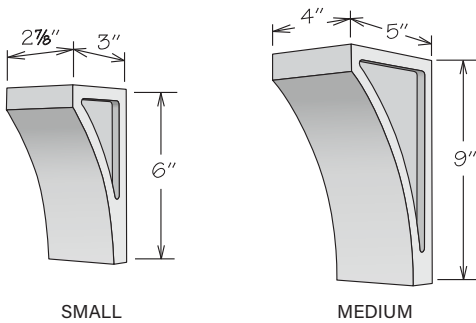
Curved Corbel



- Features 5/8" solid wood finished to match cabinet box exterior - glazed finishes will be glazed
- For decorative use only

CS12

Cove Corbels



SMALL

MEDIUM

- Features solid wood finished to match cabinet box exterior - glazed finishes will be glazed
- Recessed mounting clips included
- For decorative use only

SMALL

CC36

SMALL NARROW

CC26

MEDIUM

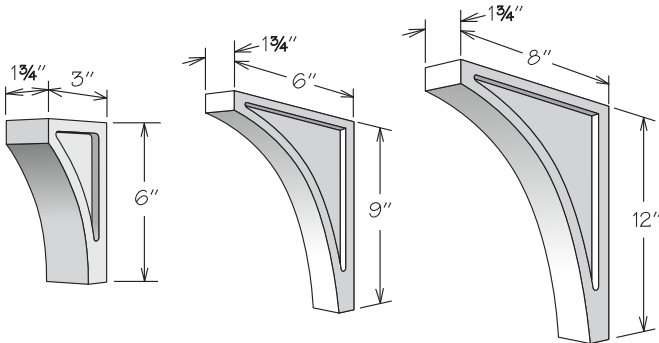
CC49

MEDIUM NARROW

CC29

LARGE NARROW

CC212

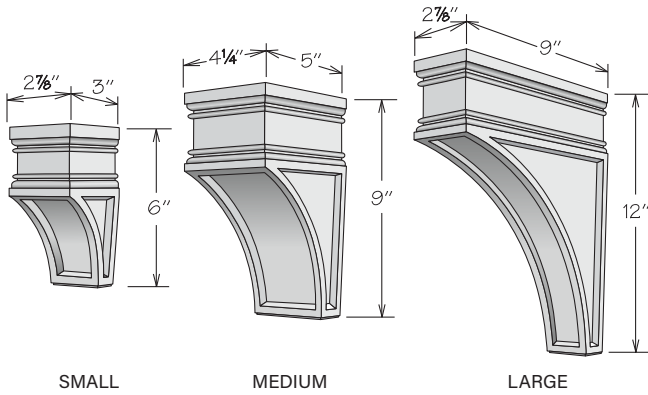


SMALL NARROW

MEDIUM NARROW

LARGE NARROW

Valencia Corbels



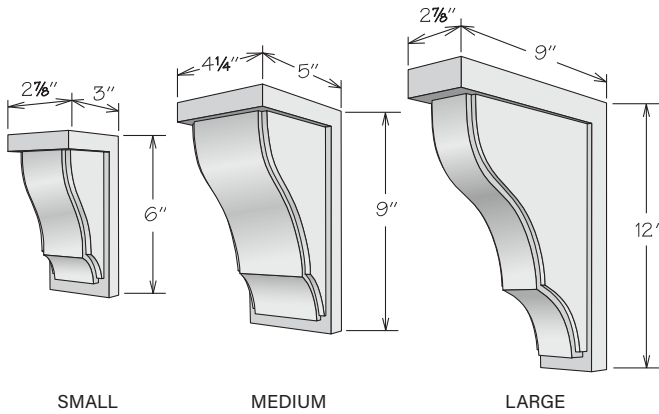
- Features solid wood finished to match cabinet box exterior - glazed finishes will be glazed
- Recessed mounting clips included
- For decorative use only

SMALL
VC36

LARGE
VC312

MEDIUM
VC49

Finley Corbels



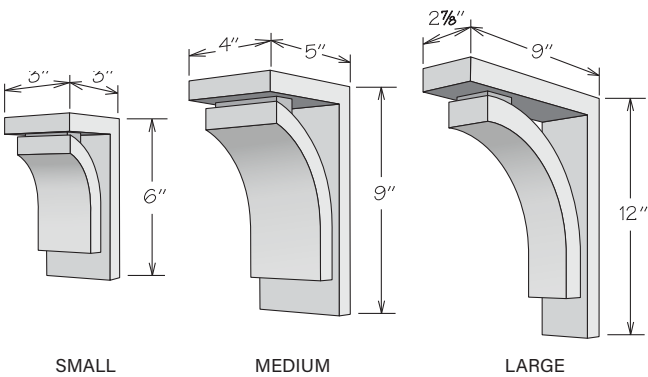
- Features solid wood finished to match cabinet box exterior - glazed finishes will be glazed
- Recessed mounting clips included
- For decorative use only

SMALL
FC36

LARGE
FC312

MEDIUM
FC49

Prairie Corbels



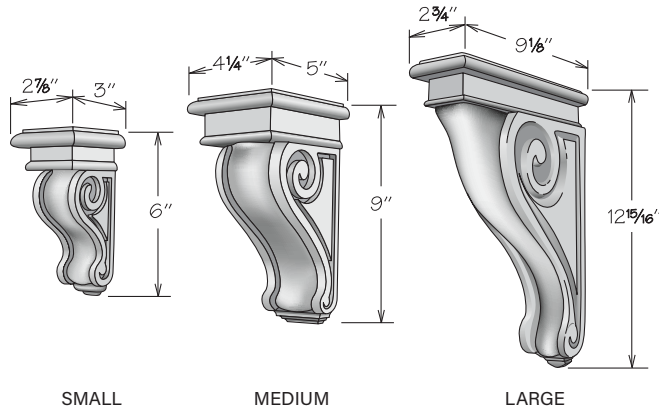
- Features solid wood finished to match cabinet box exterior
- Recessed mounting clips included
- For decorative use only

SMALL
PC36

LARGE
PC312

MEDIUM
PC49

Rosette Corbels



- Features solid wood finished to match cabinet box exterior - glazed finishes will be glazed
- Recessed mounting clips included
- For decorative use only

SMALL

RC36

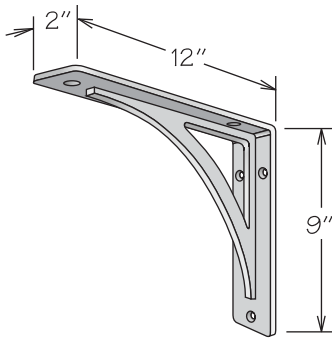
LARGE

RC313

MEDIUM

RC49

Metal Cove Corbel



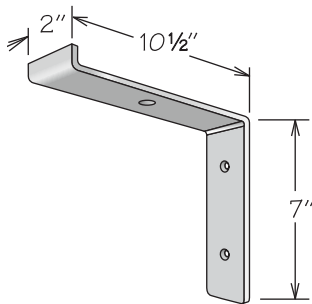
- Mounting clips included
- Can be installed using either height orientation
- For decorative use only
- Will support up to 100 lbs. when installed per included installation instructions

FINISH

METAL COVE 212 VB
 METAL COVE 212 MB
 METAL COVE 212 SN
 METAL COVE 212 PC

Verona Bronze
 Matte Black
 Satin Nickel
 Polished Chrome

Metal Emerson Corbel



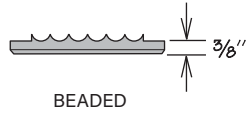
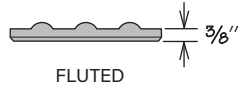
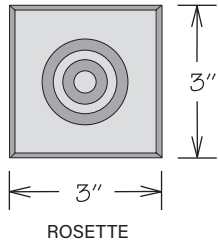
- Mounting clips included
- For decorative use only
- Will support up to 100 lbs. when installed per included installation instructions

FINISH

METAL EMERSON 27 VB
 METAL EMERSON 27 MB
 METAL EMERSON 27 SN
 METAL EMERSON 27 PC

Verona Bronze
 Matte Black
 Satin Nickel
 Polished Chrome

Decorative Blocks



- All door styles feature solid wood finished to match cabinet box exterior - glazed finishes will be glazed
- For use with Fluted Beaded Fillers

FLUTED

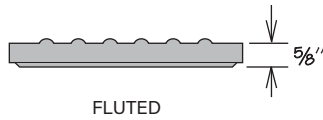
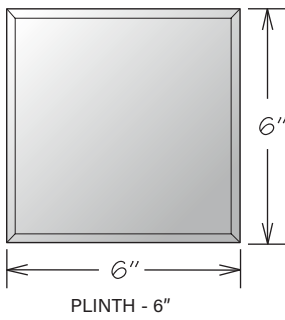
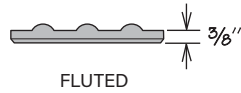
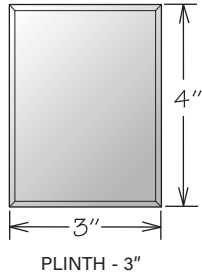
Rosette
FB3X3 ROSETTE

Plinth - 3"
FB3X4 PLINTH

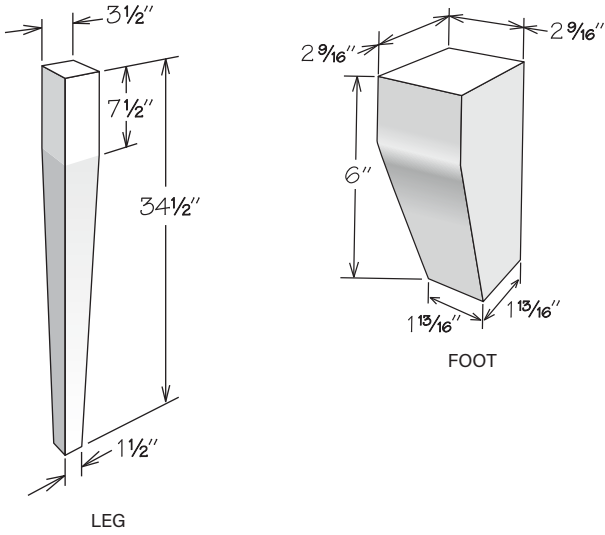
Plinth - 6"
FB6X6 PLINTH

BEADED

Rosette
BB3X3 ROSETTE



Base Tapered Leg and Foot

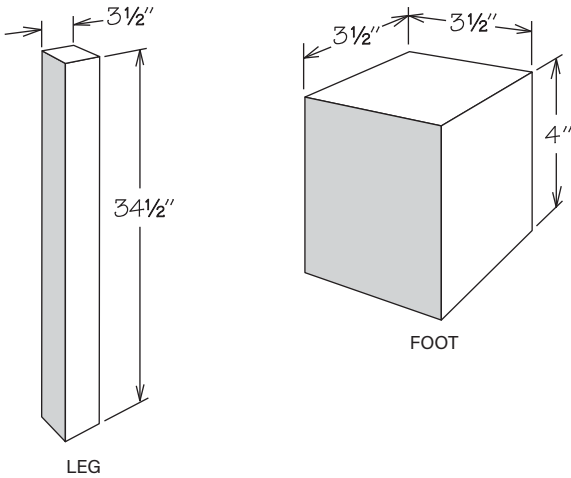


- Features solid wood finished to match cabinet box exterior
- Base Tapered Leg is tapered on all sides and is field trimmable
- Base Tapered Foot is tapered on two sides and is field trimmable to 4" high

LEG
BTPL

FOOT
TPF

Base Square Leg and Foot

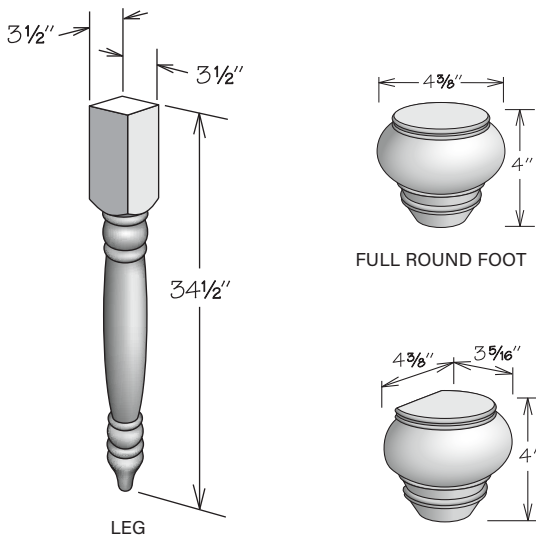


- Features solid wood finished to match cabinet box exterior
- Base Square Leg is field trimmable

LEG
BSQL

FOOT
BSQF

Base Turned Leg and Feet



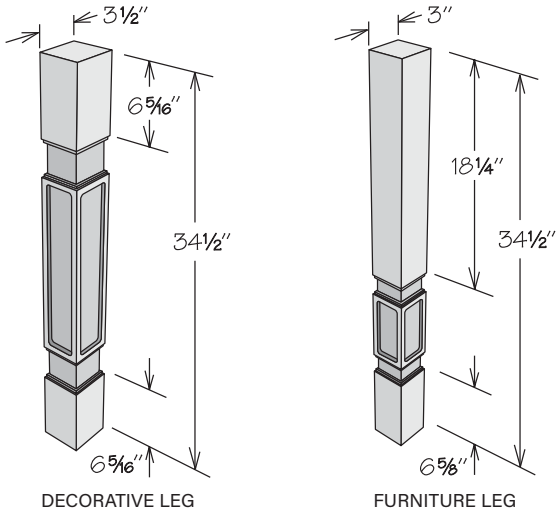
- Features solid wood finished to match cabinet box exterior - glazed finishes will be glazed
- Base Turned Leg is field trimmable to 28 1/2" high

LEG
BTL

FULL ROUND FOOT
ATF-FR

FOOT
ATF

Parker Legs and Foot



- Features solid wood finished to match cabinet box exterior - glazed finishes will be glazed
- Legs are field trimmable

DECORATIVE LEG

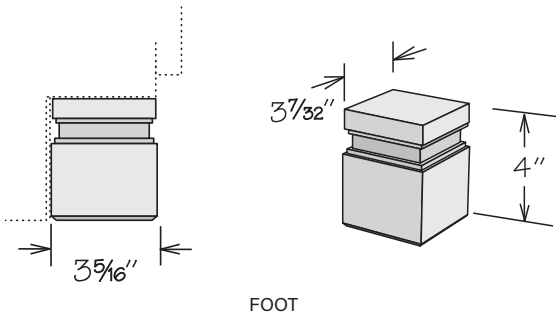
PDL

FURNITURE LEG

PFL

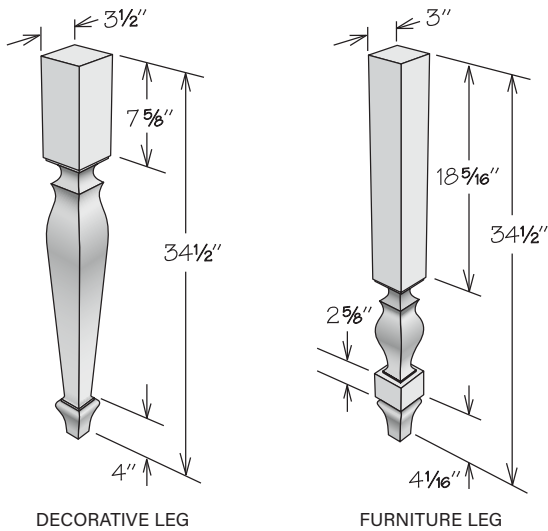
FOOT

PDF



FOOT

Chantilly Legs and Foot



- Features solid wood finished to match cabinet box exterior - glazed finishes will be glazed
- Legs are field trimmable

DECORATIVE LEG

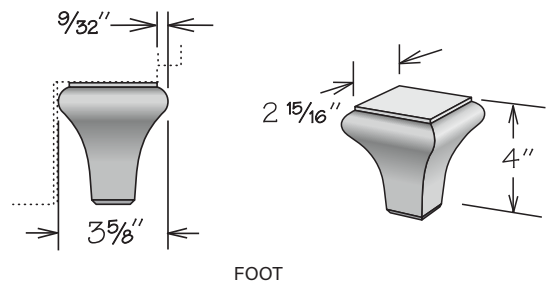
CDL

FURNITURE LEG

CFL

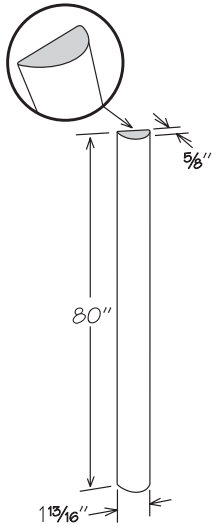
FOOT

CDF



FOOT

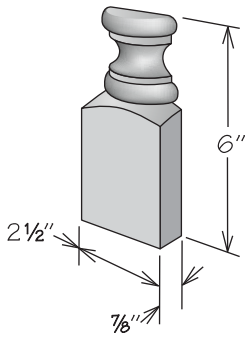
Split Post



- Features solid wood finished to match cabinet box exterior
- Field trimmable
- Use with Traditional Split Block to create design element
- Must be mounted to a Universal Filler (order separately)

SPLIT POST
SPLT POST80 P

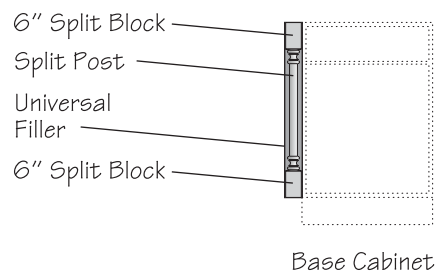
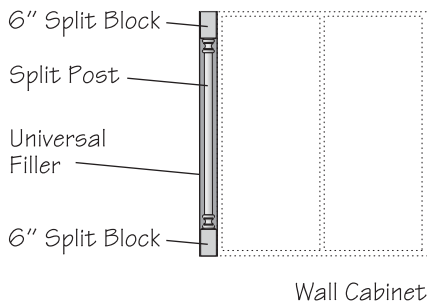
Traditional Split Block



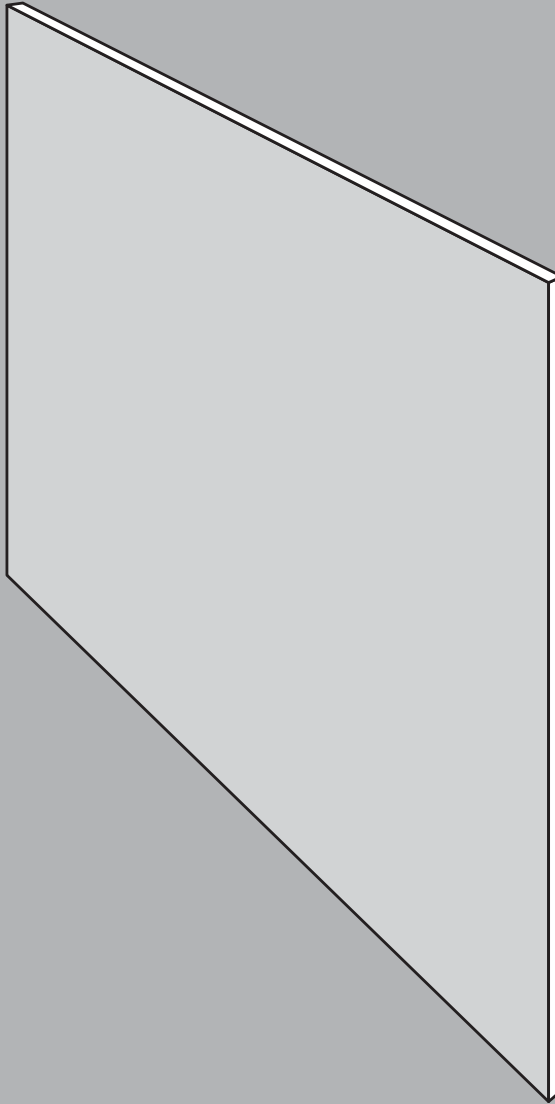
- Features solid wood finished to match cabinet box exterior - glazed finishes will be glazed
- For floor or wall application
- Use with Split Post to create design element
- Must be mounted to a Universal Filler (order separately)

SPLIT BLOCK
SPLT BLOCK26 T

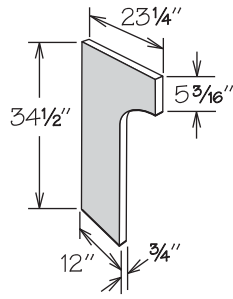
Suggested Design Applications



Panels, Fillers & Installation Items



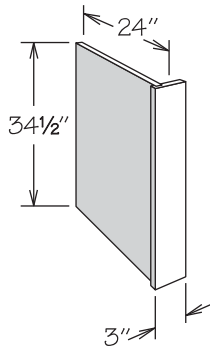
Desk End Panel



- Features 3/4" veneered engineered wood with both sides finished to match cabinet box exterior
- Recommend QM8 be ordered for installation to ensure proper attachment to wall
- Field trimmable
- Edge banded on front

DEP

Dishwasher Return

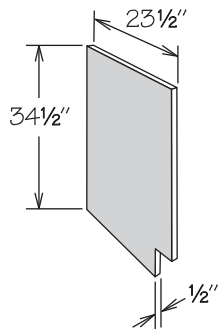


- Reversible for left or right installation
- Solid wood front
- All door styles feature 1/2" engineered wood with outside to match cabinet exterior and inside with a natural woodgrain look
- Wall attachment block Included
- Front filler can be trimmed to a minimum of 1" wide
- Can be notched for toe kick in the field

APC
FE
PE

DWR3

Sink/Vanity Front Return

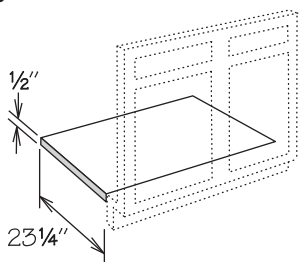


- Features 1/2" engineered wood with outside to match cabinet exterior and inside with a natural woodgrain look
- SKU signifies left or right return
- Attaching blocks included
- When ordered with Furniture Ends Option (FE) return will feature a rabbeted front edge
- Field trimmable

APC
FE
PE

SFRR
SFRL

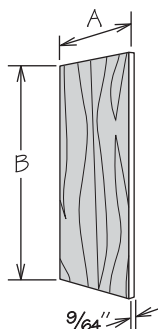
Sink/Vanity Front Floor



- All door styles feature 1/2" engineered wood with one side finished with a natural woodgrain look
- 1/2" oversize in width
- FL36X36 to be used for CSF36 (field trim to fit)
- FL48X48 to be used for CSF42 (field trim to fit)
- Field trimmable

FL24
FL36
FL36X36
FL48
FL48X48
FL60
FL72

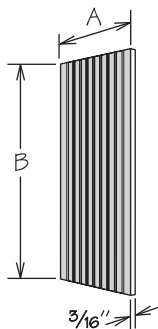
Paneling



- Wood door styles feature plywood, with vertical grain, finished on one side to match cabinet box exterior
- Duraform and Painted door styles feature engineered wood finished on one side to match cabinet box exterior
- TEP120 will feature plywood with vertical grain - finished on one side to match cabinet box exterior for all door styles
- Textured panels feature textured-wrapped engineered wood finished on one side to match cabinet door - available for Breeze and Drift finishes only
- FP9634 DT is shipped as two 48" wide x 34 1/2" high panels
- Field trimmable, can be notched for toe kick

WOOD	TEXTURED	A	B
WEP30	WEP30 DT	11 1/4"	30 1/8"
WEP42	WEP42 DT	11 1/4"	42 1/8"
WEP48	WEP48 DT	11 1/4"	48"
WEP1542	WEP1542 DT	14 1/4"	42 1/8"
BEP34	BEP34 DT	23 1/4"	34 1/2"
TEP84	TEP84 DT	23 1/4"	84"
TEP96	TEP96 DT	23 1/4"	96"
TEP120	TEP120 DT	23 1/4"	120"
FP4834	FP4834 DT	48"	34 1/2"
FP4896	FP4896 DT	48"	96"
FP9634	FP9634 DT	96"	34 1/2"
FP9648	-	96"	48"

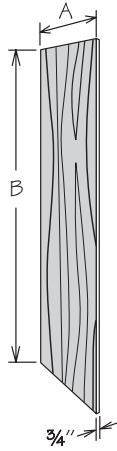
Grooved Paneling



- Grooved every 1 1/2" on one side
- All door styles feature 3/16" plywood with one side finished to match cabinet box exterior - glazed finishes will be glazed
- FP9634 Grooved Paneling is shipped as two 48" wide x 34 1/2" high panels
- Field trimmable, can be notched for toe kick

	A	B
WEP30 GROOVED	11 1/4"	30 1/8"
WEP42 GROOVED	11 1/4"	42 1/8"
WEP48 GROOVED	11 1/4"	48"
WEP1542 GROOVED	14 1/4"	42 1/8"
BEP34 GROOVED	23 1/4"	34 1/2"
TEP84 GROOVED	23 1/4"	84"
TEP96 GROOVED	23 1/4"	96"
FP4834 GROOVED	48"	34 1/2"
FP4896 GROOVED	48"	96"
FP9634 GROOVED	96"	34 1/2"

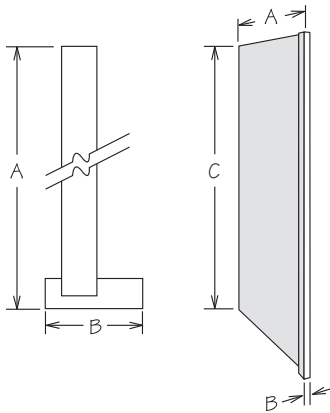
Wood End Panel



- Wood panels feature engineered wood finished on both sides to match cabinet box exterior for all door styles
 - » Edge banded on both long edges
- Textured panels feature textured-wrapped engineered wood finished on both sides to match cabinet door - available for Breeze and Drift finishes only
 - » WWEP_DT are edge banded on all four edges
 - » WBEP_DT and DWTEP_DT are edge banded on both long edges
- Field trimmable, can be notched for toe kick

WOOD	A	B
WBEP	24"	34 1/2"
WTEP84	24"	84"
WTEP96	24"	96"
WTEP120	24"	120"
DWTEP84	32"	84"
DWTEP96	32"	96"
TEXTURED		
WWEP1330 DT	13"	30 1/8"
WWEP1336 DT	13"	36 1/8"
WWEP1339 DT	13"	39 1/8"
WWEP1342 DT	13"	42 1/8"
WBEP2534 DT	25"	34 1/2"
DWTEP84 DT	32"	84"
DWTEP96 DT	32"	96"
DWTEP120 DT	32"	120"

Refrigerator Return - 1/2" Panel

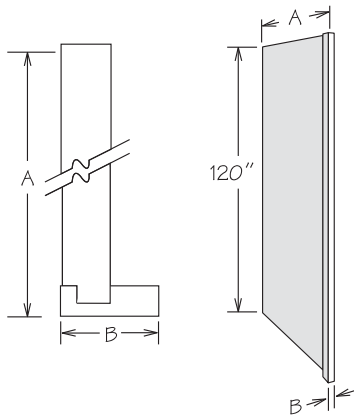


- Reversible for left or right installation
- Solid wood front
- 24" Deep Refrigerator Returns feature 1/2" engineered wood with outside finished to match cabinet exterior and inside with a natural woodgrain look
- 32" Deep Refrigerator Returns feature 1/2" plywood finished on outside to match cabinet exterior and interiors with a natural woodgrain look
- Front filler can be trimmed to a minimum of 1" wide
- Field trimmable in height, can be notched for toe kick

APC ◆
FE
MI
PE ◆
RD ■

	A	B	C
RR84 ◆	24"	1 5/8"	84"
RR384 ◆	24"	3"	84"
RR96 ◆	24"	1 5/8"	96"
RR396 ◆	24"	3"	96"
RR84 X 32DP ■	32"	1 5/8"	84"
RR384 X 32DP ■	32"	3"	84"
RR96 X 32DP ■	32"	1 5/8"	96"
RR396 X 32DP ■	32"	3"	96"

Refrigerator Return - 3/4" Panel

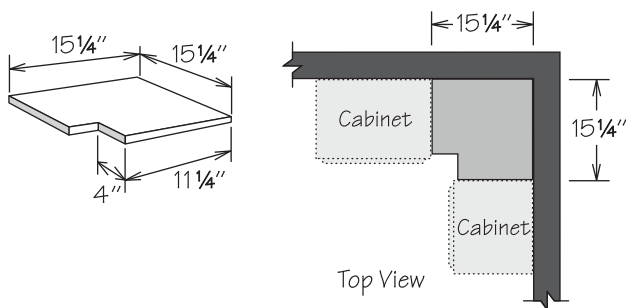


- Reversible for left or right installation
- Solid wood front
- 24" Deep Refrigerator Returns feature 3/4" engineered wood finished on both sides to match cabinet box exterior
- 32" Deep Refrigerator Returns feature 3/4" plywood finished on both sides to match cabinet box exterior
- Front filler can be trimmed to a minimum of 1" wide
- Field trimmable in height, can be notched for toe kick

APC ◆
RD ■

	A	B
RR120FL ◆	24"	1 5/8"
RR3120FL ◆	24"	3"
RR120FL X 32DP ■	32"	1 5/8"
RR3120FL X 32DP ■	32"	3"

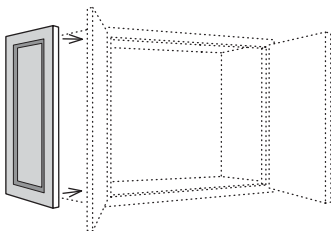
Blind Corner Closure



- Features 1/2" engineered wood with both sides finished with a natural woodgrain look
- Field trimmable

BLC1515

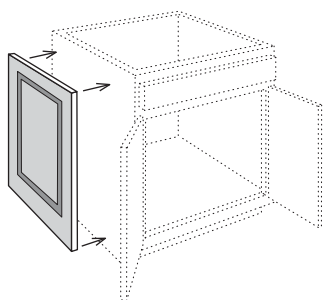
Decorator Matching Doors - Wall Cabinets



- Furniture Ends Option (FE) or WEP30/WEP42 panel is recommended for installation
- Attaches to side of wall cabinet
- Matches style and finish of cabinet doors
- Panel thickness is 3/4"
- Refer to Parts Directory for dimensions

DMDW18
DMDW24
DMDW30
DMDW36
DMDW39
DMDW42

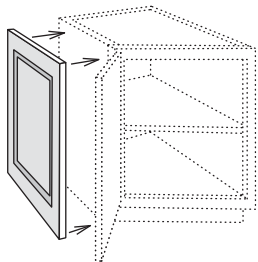
Decorator Matching Doors - Base Cabinets



- Furniture Ends Option (FE) or BEP34 panel is recommended for installation
- Attaches to side of 24" deep base cabinet
- Matches style and finish of cabinet doors
- Panel thickness is 3/4"
- Refer to Parts Directory for dimensions

DMDB

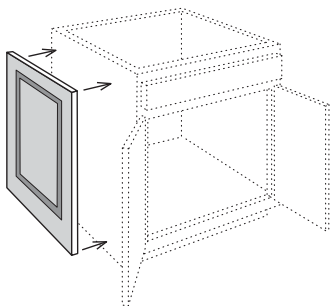
Decorator Matching Doors • Base End Angle Cabinets



- Furniture Ends Option (FE) or WEP42 panel is recommended for installation
- Attaches to side of BEA12 or BS2434
- Matches style and finish of cabinet doors
- Panel thickness is 3/4"
- Refer to Parts Directory for dimensions

DMDBEA12

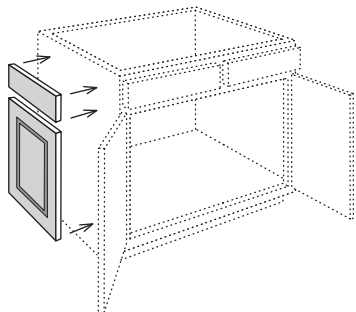
Decorator Matching Doors • Desk Cabinets



- Furniture Ends Option (FE) or BEP34 panel is recommended for installation
- Attaches to side of 21" or 24" deep desk cabinet
- Matches style and finish of cabinet doors
- Panel thickness is 3/4"
- Refer to Parts Directory for dimensions

DMDD21
DMDD24

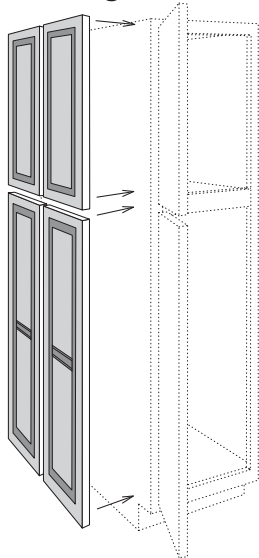
Decorator Matching Doors • Vanity Cabinet



- Furniture Ends Option (FE) or BEP34 panel is recommended for installation
- Attaches to side of 20 3/4" deep x 3 1/8" high vanity cabinet
 - » For 18" deep x 31 1/8" high vanity cabinets order DR1821 ND and DDF18
 - » For 20 3/4" deep x 34 1/2" high vanity cabinets order DR21FH ND (FOL) or DR2130 (POL)
 - » For 18" deep x 34 1/2" high vanity cabinets order DR18FH ND (FOL) or DR1830 (POL)
- Matches style and finish of cabinet doors
- Panel thickness is 3/4"
- Refer to Parts Directory for dimensions

DMDV

Decorator Matching Doors - Tall Cabinets



- Furniture Ends Option (FE) or TEP84/TEP96 panel is recommended for installation
- Attaches to side of utility or oven cabinet
- Matches style and finish of cabinet doors
- Panel thickness is 3/4"
- 24" deep features four doors (as shown)
- 12" deep features two doors
- Bottom doors on DMDT will have a center for select door styles - refer to door style section
- Refer to Parts Directory for dimensions

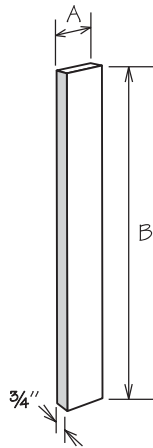
12" DEEP

DMDT8412
DMDT9012
DMDT9312
DMDT9612

24" DEEP

DMDT8424
DMDT9024
DMDT9324
DMDT9624

Universal Filler

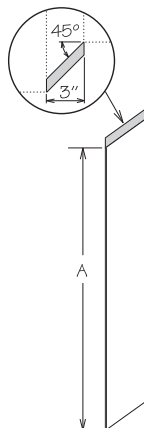


- Features 3/4" solid wood
- UF__ are finished on front, both long edges and one short end to match cabinet exterior
- S3S__ are finished on front and all four edges to match cabinet exterior
- S4S_ is finished on front, back and all four edges to match cabinet box exterior
- Field trimmable

WOOD

	A	B
UF3	3"	30 1/2"
UF6	6"	30 1/2"
UF342	3"	42 1/8"
UF642	6"	42 1/8"
UF380	3"	80"
UF680	6"	80"
UF392	3"	92"
UF692	6"	92"
S3S396	3"	96"
S3S696	6"	96"
S4S396	3"	96"
S4S696	6"	96"
UF3120	3"	120"

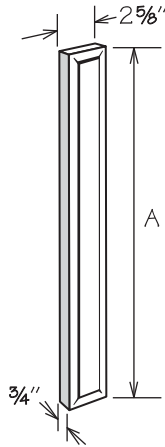
Universal Filler Extension



- Features 3/4" solid wood
- Finished on front and all four edges to match cabinet box exterior
- Field trimmable

	A
UF E3	30 1/2"
UF E342	42 1/8"

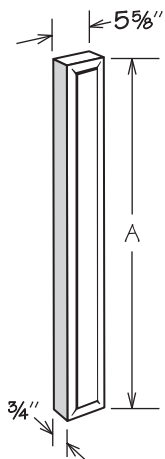
3" Overlay Filler



- For use with full overlay door styles only
- Outside profile matches outside profile of door - see next page for details
- Wood overlay fillers feature:
 - » Solid wood finished to match cabinet box exterior for Wood, Painted and Duraform Breeze and Drift door styles - glazed finishes will be glazed, excluding slab overlay profiles
 - » Duraform wrapped engineered wood for Duraform Espresso, Harbor, Linen and Stone door styles
- Textured overlay fillers feature textured wrapped engineered wood finished to match cabinet door - available for Breeze and Drift finishes only
- Finished on all edges
- Indicate door style when ordering
- Not field trimmable
- Must be mounted to a Universal Filler (order separately)

WOOD	TEXTURED	A
WOF312	WOF312 DT	11 9/16"
WOF315	WOF315 DT	14 9/16"
WOF318	WOF318 DT	17 9/16"
WOF321	WOF321 DT	20"
WOF324	WOF324 DT	23 7/8"
WOF327	WOF327 DT	26 1/2"
WOF330	WOF330 DT	29 1/2"
WOF336	WOF336 DT	35 1/2"
WOF339	WOF339 DT	38 1/2"
WOF342	WOF342 DT	41 1/2"
BOF3	BOF3 DT	29 7/8"
DOF3	DOF3 DT	23 7/8"
VOF3	VOF3 DT	26 1/2"
TOF384	TOF384 DT	79 3/8"
TOF390	TOF390 DT	85 3/8"
TOF393	TOF393 DT	88 3/8"
TOF396	TOF396 DT	91 3/8"

6" Overlay Filler



- WOF6_ available for full overlay Duraform door styles only
- BOF6_ available for full overlay door styles only
- Outside profile matches outside profile of door - see next page for details
- Wood overlay fillers feature:
 - » Solid wood finished to match cabinet box exterior for Wood, Painted and Duraform Breeze and Drift door styles - glazed finishes will be glazed, excluding slab overlay profiles
 - » Duraform wrapped engineered wood for Duraform Espresso, Harbor, Linen and Stone door styles
- Textured overlay fillers feature textured wrapped engineered wood finished to match cabinet door - available for Breeze and Drift finishes only
- Finished on all edges
- Indicate door style when ordering
- Not field trimmable
- Must be mounted to a Universal Filler (order separately)

WOOD	TEXTURED	A
WOF630	-	29 1/2"
WOF636	-	35 1/2"
WOF639	-	38 1/2"
WOF642	-	41 1/2"
BOF6	BOF6 DT	29 7/8"

Overlay Filler Profiles

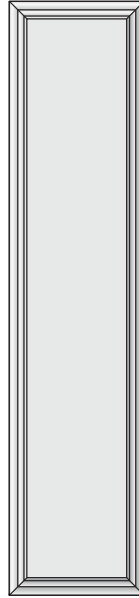
Profile for:

- McKinley



Profile for:

- Irvington
- Irvington w/ DFO



Profile for:

- Edgeworth*
- Edgeworth w/ DFO



*Excluding Edgeworth Duraform

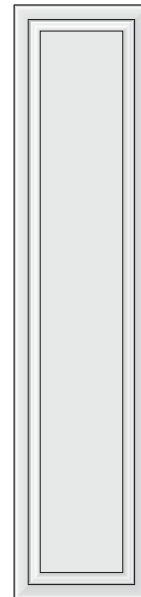
Profile for:

- Glasson
- Glasson w/ DFO
- Warren
- Warren w/ DFO
- Sydney
- Breckenridge
- Breckenridge w/ DFO
- Mission
- Mission w/ DFO
- Cottage
- Stemson
- **Stemson w/ DFO**

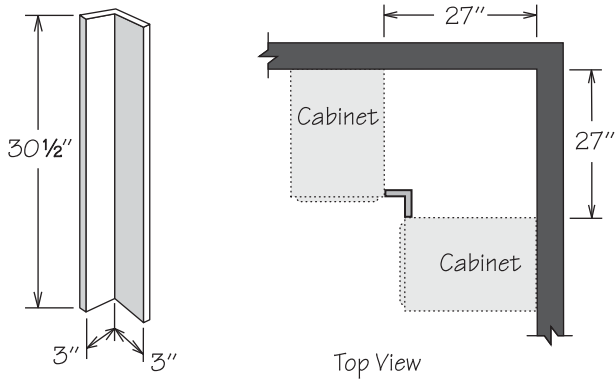


Profile for:

- Edgeworth Duraform



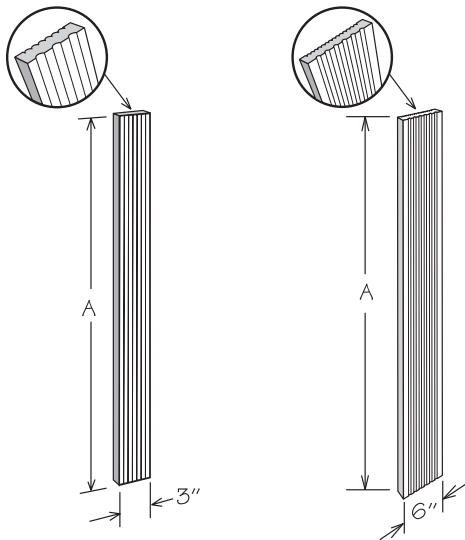
Base Corner Filler



- 3/4" solid wood
- Finished on front and all four edges to match cabinet box exterior
- Field trimmable

BCF27

Fluted Beaded Filler - Reversible



- Filler is fluted on one side and beaded on reverse side
- Finished on all sides to match cabinet box exterior - glazed finishes will be glazed
- 3/4" solid wood
- Apply decorative blocks for accent
- Field trimmable
- Ensure correct side is exposed when installed

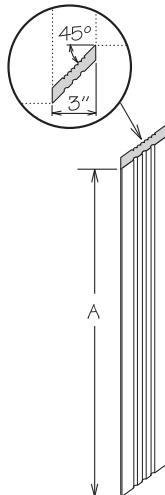
3" WIDE

	A
FBF3	30 1/2"
FBF342	42 1/8"
FBF384	84"
FBF396	96"

6" WIDE

FBF6	30 1/2"
FBF642	42 1/8"
FBF684	84"
FBF696	96"

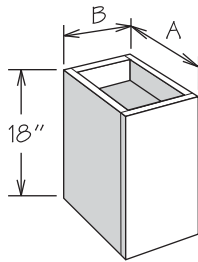
Fluted Beaded Filler Extension - Reversible



- Filler is fluted on one side and beaded on reverse side
- Finished all sides to match cabinet box exterior - glazed finishes will be glazed
- 3/4" solid wood
- Apply 3" wide decorative blocks for accent
- Field trimmable
- Ensure correct side is exposed when installed

	A
FBF E3	30 1/2"
FBF E342	42 1/8"

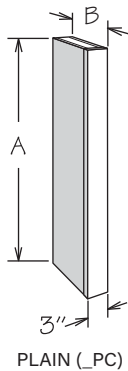
Plain Box Filler



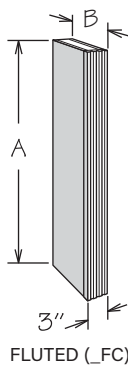
- Veneered engineered wood finished to match cabinet box exterior
- Features ¼" reveal
- Trimmable in height to 14 ½" tall
- Reversible for left or right installation

	A	B
WPB91815	15"	9"
WPB121815	15"	12"

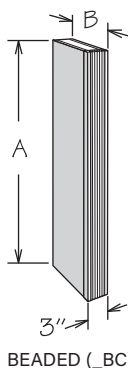
Column Filler



- Veneered engineered wood finished to match cabinet box exterior - glazed finishes will be glazed, excluding Plain Column Fillers
- 3" wide x ¾" thick solid wood front
- Sides are flush with face
- Reversible for left or right installation
- Top and bottom edges of returns are edge banded
- Apply overlay filler or 3" wide decorative blocks for accent
- Field trimmable to any depth
- Field trimmable in height noted below:
 - » W_C31530 field trimmable to 27 ⅞", 24 ½", 20 ⅝", 18 ⅞", 15 ⅞", or 12 ⅞"
 - » W_C31542 field trimmable to 39 ⅞" or 36 ⅞"
 - » W_C31560 field trimmable to 54" or 48"
 - » B_C32734 field trimmable to 31 ⅞" or 28 ½"
 - » T_C32796 field trimmable to 93" or 90"
 - » T_C32784 not trimmable in height

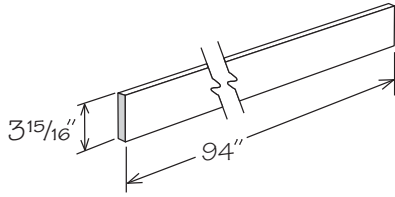


PLAIN	A	B
Wall		
WPC31530	30 ⅞"	15"
WPC31542	42 ⅞"	15"
WPC31560	60"	15"
Base		
BPC32734	34 ½"	27"
Tall		
TPC32784	84"	27"
TPC32796	96"	27"



FLUTED	A	B
Wall		
WFC31530	30 ⅞"	15"
WFC31542	42 ⅞"	15"
WFC31560	60"	15"
Base		
BFC32734	34 ½"	27"
Tall		
TFC32784	84"	27"
TFC32796	96"	27"
BEADED		
Wall		
WBC31530	30 ⅞"	15"
WBC31542	42 ⅞"	15"
WBC31560	60"	15"
Base		
BBC32734	34 ½"	27"
Tall		
TBC32784	84"	27"
TBC32796	96"	27"

Base Toe Kick



- Wood door styles feature 3/4" plywood, with vertical grain, finished on one side to match cabinet box exterior
- Duraform and Painted door styles feature 3/4" engineered wood finished on one side to match cabinet box exterior
- Textured toe kicks feature textured-wrapped 3/4" engineered wood finished on one side to match cabinet door - available for Breeze and Drift finishes only
- Putty Stick and Touch Up Marker are recommended for exposed ends

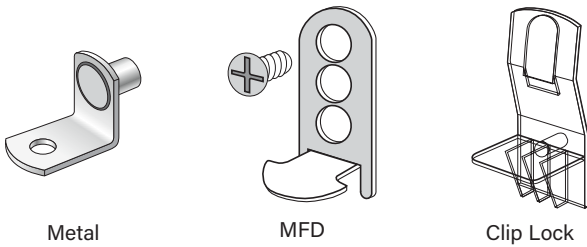
WOOD

BTK8

TEXTURED

BTK8 DT

Shelf Rests



- Metal and MFD shelf rests are nickel plated steel
- MFD shelf rests are six position adjustable for alignment of shelf with mullion
- Clip Lock shelf rests are molded clear high-strength polycarbonate

QTY.

Bookshelves & Wall Shelves

SHELF REST METAL 4PK	4
SHELF REST METAL 12	12

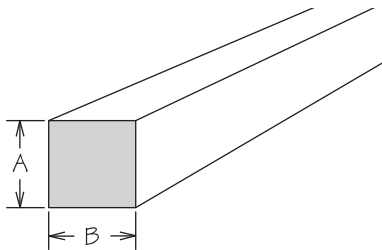
Mullion Frame Cabinet Shelves

SHELF REST MFD PK	8
-------------------	---

3/4" Base & Tall Shelves

CLIP LOCK SHELF 3/4 4 PK	4
--------------------------	---

Cleat

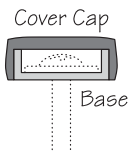
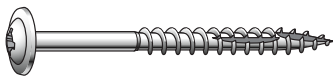


- HWC 1/2X1/2X94 and HWC 3/4X3/4X94 are shipped in two 47" long pieces
- Unfinished

A B LENGTH

HWC 1/2X1/2X94	1/2"	1/2"	94"
HWC 3/4X3/4X94	3/4"	3/4"	94"
HWC 1X2X94	3/4"	1 1/2"	94"
HWC 2X4X96	1 1/2"	3 1/2"	96"

Screws & Screw Cover Caps

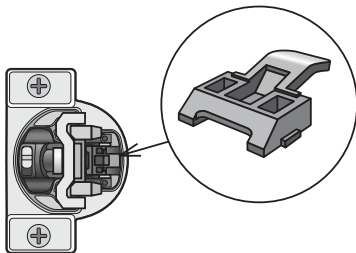


- Installation screws are Phillips panhead 2 1/2" long
- COVER CAP ____ used to conceal head of installation screw
- COVER CAP 10MM ____ used to conceal predrilled holes in cabinet backs

QTY.

SCREW INST 2.5 BX100	100
COVER CAP TAN	50
COVER CAP WHT	50
COVER CAP 10MM TAN	4
COVER CAP 10MM WHT	4

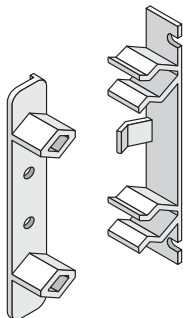
Hinge Restriction Clip



- Limits door opening to 86° to avoid contact with adjacent objects
- For use on soft-close hinges only
- Package includes 10 per bag (1 required per hinge)
- Cannot be used on cabinets with roll out accessories

HINGE CC ANG RES CLP

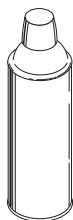
Dummy Drawer Front Fastener



- For installation of one dummy drawer front
- Kit contents:
 - » Two sets of DDF Fasteners
 - » Eight screws
 - » One instruction sheet
- Please refer to cabinet specifications as some cabinets will require more than one kit

DDF FASTENER

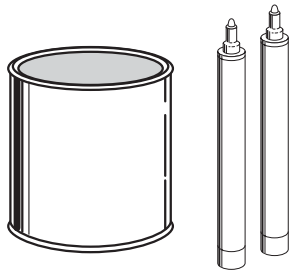
Spray Stain



- SPRAY STAIN TINTED available for all finishes
- SPRAY STAIN TINTED for Duraform Breeze and Drift will match the cabinet box exterior
- SPRAY STAIN CLEAR for use as top coat
- Indicate species and finish when ordering
- 11 ounce aerosol spray can

SPRAY STAIN CLEAR
SPRAY STAIN TINTED

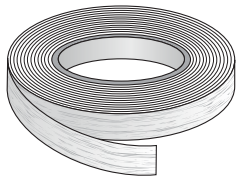
Stain



- STAIN PINT (QUART) for use on all non-glazed stains and non-glazed painted finishes
- STAIN GLAZED PINT (QUART) for use on all glazed stains and glazed painted finishes
 - » STAIN GLAZED PINT includes one STAIN PINT and two STAIN GLAZED PENS
 - » STAIN GLAZED QUART includes one STAIN QUART and four STAIN GLAZED PENS
- STAIN TOP COAT strongly recommended for application over ALL finishes - order separately
- STAIN GLAZED PENS for use on all glazed stains and glazed painted finishes, includes 2 pens
- Stains for Duraform finishes will match the cabinet box exterior
- Indicate species and finish when ordering
- PINT covers approximately 40 square feet
- QUART covers approximately 80 square feet
- Instructions included
- Glaze comes as pens only - not cans

STAIN PINT
 STAIN QUART
 STAIN GLAZED PINT
 STAIN GLAZED QUART
 STAIN GLAZED PENS
 STAIN TOP COAT PINT
 STAIN TOP COAT QUART

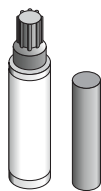
Edge Banding - Textured



- Available for Breeze and Drift finishes only
- Tape is required for edge band installation
- Trimmable

	HEIGHT	LENGTH
EDGE BAND 25 DT	7/8"	25'
EDGE BAND TAPE 50	1"	50'

Putty Stick & Marker



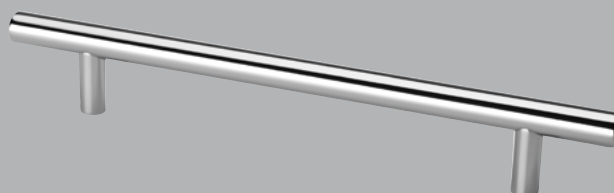
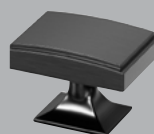
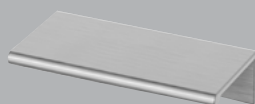
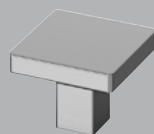
- Indicate species and finish when ordering
- Refer to chart to order correct QTY
- Putty Stick - for filling minor dents, gouges and scratches made during or after installation
- Touch Up Marker - adds color to minor surface scratches
- Touch Up Markers & Putty Sticks for Duraform Breeze and Drift will match the cabinet box exterior

PUTTY STICK EXT QTY1
 PUTTY STICK EXT QTY2
 PUTTY STICK INTERIOR
 TU MARKER EXT QTY1
 TU MARKER EXT QTY2
 TU MARKER INTERIOR
 TU MARKER DURAFORM

Finish	Putty Stick	TU Marker
Cherry Amber	PUTTY STICK EXT QTY1	TU MARKER EXT QTY1
Cherry Java	PUTTY STICK EXT QTY1	TU MARKER EXT QTY1
Cherry Slate	PUTTY STICK EXT QTY1	TU MARKER EXT QTY1
Duraform Breeze	PUTTY STICK EXT QTY1	TU MARKER EXT QTY2
Duraform Drift	PUTTY STICK EXT QTY1	TU MARKER EXT QTY1
Duraform Espresso	PUTTY STICK EXT QTY1	TU MARKER DURAFORM
Duraform Harbor	PUTTY STICK EXT QTY1	TU MARKER DURAFORM
Duraform Linen	PUTTY STICK EXT QTY2	TU MARKER DURAFORM
Duraform Stone	PUTTY STICK EXT QTY1	TU MARKER DURAFORM
Maple Cognac	PUTTY STICK EXT QTY1	TU MARKER EXT QTY1
Maple Latte	PUTTY STICK EXT QTY1	TU MARKER EXT QTY1
Maple Rye	PUTTY STICK EXT QTY1	TU MARKER EXT QTY1
Maple Slate	PUTTY STICK EXT QTY1	TU MARKER EXT QTY1
Maple Spice	PUTTY STICK EXT QTY1	TU MARKER EXT QTY1

Finish	Putty Stick	TU Marker
Maple Truffle	PUTTY STICK EXT QTY1	TU MARKER EXT QTY2
Painted Black	PUTTY STICK EXT QTY1	TU MARKER EXT QTY1
Painted Biscotti	PUTTY STICK EXT QTY1	TU MARKER EXT QTY2
Painted Boulder	PUTTY STICK EXT QTY1	TU MARKER EXT QTY1
Painted Ember	PUTTY STICK EXT QTY1	TU MARKER EXT QTY2
Painted Harbor	PUTTY STICK EXT QTY1	TU MARKER EXT QTY1
Painted Linen	PUTTY STICK EXT QTY2	TU MARKER EXT QTY2
Painted Mist	PUTTY STICK EXT QTY1	TU MARKER EXT QTY1
Painted Navy	PUTTY STICK EXT QTY1	TU MARKER EXT QTY1
Painted Pewter	PUTTY STICK EXT QTY1	TU MARKER EXT QTY2
Painted Sage	PUTTY STICK EXT QTY1	TU MARKER EXT QTY1
Painted Stone	PUTTY STICK EXT QTY1	TU MARKER EXT QTY1
Painted Vanilla	PUTTY STICK EXT QTY1	TU MARKER EXT QTY1
Interior	PUTTY STICK INTERIOR	TU MARKER INTERIOR

Decorative Hardware



RESTRICTION KEY

- NR12** Not recommended on regular 12" drawers
- NR15** Not recommended on regular drawers 15" or 12"
- NR18** Not recommended on regular drawers 18", 15" or 12"
- NR12LG** Not recommended on large 12" drawers
- NR15LG** Not recommended on large 15" or 12" drawers
- NR18LG** Not recommended on large 18", 15" or 12" drawers
- NR21LG** Not recommended on large 21", 18", 15" or 12" drawers
- NRKDC** Not recommended kneehole drawers
- NR** Not recommended for any size drawer

Shenandoah Cabinetry does not recommend drilling through any door/drawer joint for installation of decorative hardware. Door and drawer fronts must be adjusted before installing decorative hardware. Some decorative hardware has restrictions for use on certain door styles which will be indicated with restriction-specific icons followed by the door style(s) that have the restriction. Restrictions may differ on regular and large drawer fronts based on center panel dimensions for each door style.

HARDWARE RESTRICTION EXAMPLE

- NR12** Breckenridge w/ DFO, Glasson w/ DFO, McKinley
- NR12LG** Breckenridge w/ DFO, Glasson w/ DFO, Warren w/ DFO
- NR15LG** McKinley

EXPLANATION: This specific hardware is not recommended on:

- 12" regular drawer fronts for the Breckenridge w/ DFO, Glasson w/ DFO and McKinley door styles
- 12" large drawer fronts for the Breckenridge w/ DFO, Glasson w/ DFO and Warren w/ DFO door styles
- 15" or 12" large drawer fronts for the McKinley door style

Antic



Tier 3
Antic Pull
Polished Chrome
PULL 6797PC

128mm Center • Overall Length: 5 13/16"



Tier 3
Antic Pull
Satin Nickel
PULL 6797SN

128mm Center • Overall Length: 5 13/16"



Tier 3
Antic Pull
Vintage Nickel
PULL 6797VN

128mm Center • Overall Length: 5 13/16"



Tier 3
Antic Pull
Modern Brushed Gold
PULL 6797MG

128mm Center • Overall Length: 5 13/16"



Tier 3
Antic Pull
Matte Black
PULL 6797MB

128mm Center • Overall Length: 5 13/16"

NR12 Edgeworth w/ DFO, Mission w/ DFO

NR12LG Cardiff w/ DFO, Edgeworth w/ DFO, McKinley, Mission w/ DFO, [Stemson w/ DFO](#), Warren w/ DFO



Tier 3
Antic Knob
Polished Chrome
KNOB 6798PC



Tier 3
Antic Knob
Satin Nickel
KNOB 6798SN



Tier 3
Antic Knob
Vintage Nickel
KNOB 6798VN



Tier 3
Antic Knob
Modern Brushed Gold
KNOB 6798MG



Tier 3
Antic Knob
Matte Black
KNOB 6798MB

Briolette



Tier 3
Briolette Pull
Polished Chrome
PULL 2272PC

128mm Center • Overall Length: 5 3/4"



Tier 3
Briolette Pull
Satin Nickel
PULL 2272SN

128mm Center • Overall Length: 5 3/4"



Tier 3
Briolette Pull
Modern Brushed Gold
PULL 2272MG

128mm Center • Overall Length: 5 3/4"



Tier 3
Briolette Pull
Brushed Copper
PULL 2272CP

128mm Center • Overall Length: 5 3/4"



Tier 3
Briolette Pull
Matte Black
PULL 2272MB

128mm Center • Overall Length: 5 3/4"

NR12 Edgeworth w/ DFO, Mission w/ DFO

NR12LG Cardiff w/ DFO, Edgeworth w/ DFO, McKinley, Mission w/ DFO, [Stemson w/ DFO](#), Warren w/ DFO



Tier 3
Briolette Knob
Polished Chrome
KNOB 2271PC



Tier 3
Briolette Knob
Satin Nickel
KNOB 2271SN



Tier 3
Briolette Knob
Modern Brushed Gold
KNOB 2271MG



Tier 3
Briolette Knob
Brushed Copper
KNOB 2271CP



Tier 3
Briolette Knob
Matte Black
KNOB 2271MB

Radiant



**Tier 3
Radiant Pull
Satin Nickel**
PULL 0318SN

128mm Center • Overall Length: 5 3/4"



**Tier 3
Radiant Pull
Weathered Nickel**
PULL 0318WN

128mm Center • Overall Length: 5 3/4"



**Tier 3
Radiant Pull
Modern Brushed Gold**
PULL 0318MG

128mm Center • Overall Length: 5 3/4"



**Tier 3
Radiant Pull
Verona Bronze**
PULL 0318VB

128mm Center • Overall Length: 5 3/4"



**Tier 3
Radiant Pull
Matte Black**
PULL 0318MB

128mm Center • Overall Length: 5 3/4"

NR12 Edgeworth w/ DFO, Mission w/ DFO

NR12LG Cardiff w/ DFO, Edgeworth w/ DFO, McKinley, Mission w/ DFO, [Stemson w/ DFO](#), Warren w/ DFO



**Tier 3
Radiant Knob
Satin Nickel**
KNOB 0319SN



**Tier 3
Radiant Knob
Weathered Nickel**
KNOB 0319WN



**Tier 3
Radiant Knob
Modern Brushed Gold**
KNOB 0319MG



**Tier 3
Radiant Knob
Verona Bronze**
KNOB 0319VB



**Tier 3
Radiant Knob
Matte Black**
KNOB 0319MB

Trillion



**Tier 3
Trillion Pull
Polished Chrome**
PULL 0875PC

128mm Center • Overall Length: 5 1/2"



**Tier 3
Trillion Pull
Satin Nickel**
PULL 0875SN

128mm Center • Overall Length: 5 1/2"



**Tier 3
Trillion Pull
Vintage Nickel**
PULL 0875VN

128mm Center • Overall Length: 5 1/2"



**Tier 3
Trillion Pull
Modern Brushed Gold**
PULL 0875MG

128mm Center • Overall Length: 5 1/2"



**Tier 3
Trillion Pull
Matte Black**
PULL 0875MB

128mm Center • Overall Length: 5 1/2"

NR12 Mission w/ DFO

NR12LG Cardiff w/ DFO, McKinley, Mission w/ DFO, [Stemson w/ DFO](#)



**Tier 3
Trillion Knob
Polished Chrome**
KNOB 0876PC



**Tier 3
Trillion Knob
Satin Nickel**
KNOB 0876SN



**Tier 3
Trillion Knob
Vintage Nickel**
KNOB 0876VN



**Tier 3
Trillion Knob
Modern Brushed Gold**
KNOB 0876MG



**Tier 3
Trillion Knob
Matte Black**
KNOB 0876MB

Marquise



Tier 3
Marquise Pull - 6 7/8"
Polished Chrome
 PULL 4213PC

160mm Center • Overall Length: 6 7/8"



Tier 3
Marquise Pull - 6 7/8"
Satin Nickel
 PULL 4213SN

160mm Center • Overall Length: 6 7/8"



Tier 3
Marquise Pull - 6 7/8"
Modern Brushed Gold
 PULL 4213MG

160mm Center • Overall Length: 6 7/8"



Tier 3
Marquise Pull - 6 7/8"
Brushed Copper
 PULL 4213CP

160mm Center • Overall Length: 6 7/8"



Tier 3
Marquise Pull - 6 7/8"
Matte Black
 PULL 4213MB

160mm Center • Overall Length: 6 7/8"

NR12 Breckenridge w/ DFO, Cardiff w/ DFO, Edgeworth w/ DFO, Glasson w/ DFO, McKinley, Mission w/ DFO, [Stemson w/ DFO](#)

NR12LG Breckenridge w/ DFO, Cardiff w/ DFO, Edgeworth w/ DFO, Glasson w/ DFO, Mission w/ DFO, [Stemson w/ DFO](#), Warren w/ DFO

NR15LG McKinley



Tier 3
Marquise Pull - 5 9/16"
Polished Chrome
 PULL 4212PC

128mm Center • Overall Length: 5 9/16"



Tier 3
Marquise Pull - 5 9/16"
Satin Nickel
 PULL 4212SN

128mm Center • Overall Length: 5 9/16"



Tier 3
Marquise Pull - 5 9/16"
Modern Brushed Gold
 PULL 4212MG

128mm Center • Overall Length: 5 9/16"



Tier 3
Marquise Pull - 5 9/16"
Brushed Copper
 PULL 4212CP

128mm Center • Overall Length: 5 9/16"



Tier 3
Marquise Pull - 5 9/16"
Matte Black
 PULL 4212MB

128mm Center • Overall Length: 5 9/16"

NR12 Edgeworth w/ DFO, Mission w/ DFO

NR12LG Cardiff w/ DFO, Edgeworth w/ DFO, McKinley, Mission w/ DFO, [Stemson w/ DFO](#), Warren w/ DFO

Halo



Tier 2
Halo Knob
Polished Chrome
 KNOB 3106PC



Tier 2
Halo Knob
Satin Nickel
 KNOB 3106SN



Tier 2
Halo Knob
Modern Brushed Gold
 KNOB 3106MG



Tier 2
Halo Knob
Brushed Copper
 KNOB 3106CP



Tier 2
Halo Knob
Matte Black
 KNOB 3106MB

Rectangular



Tier 2
Rectangular Pull
Polished Chrome
PULL 3502PC

96mm Center • Overall Length: 4 13/16"



Tier 2
Rectangular Pull
Satin Nickel
PULL 3502SN

96mm Center • Overall Length: 4 13/16"



Tier 2
Rectangular Pull
Vintage Nickel
PULL 3502VN

96mm Center • Overall Length: 4 13/16"



Tier 2
Rectangular Pull
Modern Brushed Gold
PULL 3502MG

96mm Center • Overall Length: 4 13/16"



Tier 2
Rectangular Pull
Matte Black
PULL 3502MB

96mm Center • Overall Length: 4 13/16"

NR12LG Edgeworth w/ DFO, McKinley



Tier 2
Rectangular Knob
Polished Chrome
KNOB 3503PC



Tier 2
Rectangular Knob
Satin Nickel
KNOB 3503SN



Tier 2
Rectangular Knob
Vintage Nickel
KNOB 3503VN



Tier 2
Rectangular Knob
Modern Brushed Gold
KNOB 3503MG



Tier 2
Rectangular Knob
Matte Black
KNOB 3503MB

Beaded



Tier 2
Beaded Pull
Satin Nickel
PULL 3562SN

96mm Center • Overall Length: 4 1/2"



Tier 2
Beaded Pull
Weathered Nickel
PULL 3562WN

96mm Center • Overall Length: 4 1/2"



Tier 2
Beaded Pull
Modern Brushed Gold
PULL 3562MG

96mm Center • Overall Length: 4 1/2"



Tier 2
Beaded Pull
Verona Bronze
PULL 3562VB

96mm Center • Overall Length: 4 1/2"



Tier 2
Beaded Pull
Matte Black
PULL 3562MB

96mm Center • Overall Length: 4 1/2"

NR12LG McKinley

Stamped



Tier 2
Stamped Knob
Satin Nickel
KNOB 3563SN



Tier 2
Stamped Knob
Weathered Nickel
KNOB 3563WN



Tier 2
Stamped Knob
Modern Brushed Gold
KNOB 3563MG



Tier 2
Stamped Knob
Verona Bronze
KNOB 3563VB



Tier 2
Stamped Knob
Matte Black
KNOB 3563MB

Bow



<p>Tier 2 Bow Pull - 7 13/16" Polished Chrome PULL 3129PC 5" Center • Overall Length: 7 13/16"</p>	<p>Tier 2 Bow Pull - 7 13/16" Satin Nickel PULL 3129SN 5" Center • Overall Length: 7 13/16"</p>	<p>Tier 2 Bow Pull - 7 13/16" Modern Brushed Gold PULL 3129MG 5" Center • Overall Length: 7 13/16"</p>	<p>Tier 2 Bow Pull - 7 13/16" Brushed Copper PULL 3129CP 5" Center • Overall Length: 7 13/16"</p>	<p>Tier 2 Bow Pull - 7 13/16" Matte Black PULL 3129MB 5" Center • Overall Length: 7 13/16"</p>
---	--	---	--	---

NR12 Breckenridge w/ DFO, Cardiff w/ DFO, Edgeworth w/ DFO, Glasson w/ DFO, McKinley, Mission w/ DFO, **Stemson w/ DFO**, Warren w/ DFO
NR12LG Breckenridge w/ DFO, Cardiff w/ DFO, Edgeworth w/ DFO, Glasson w/ DFO, Mission w/ DFO, **Stemson w/ DFO**, Warren w/ DFO
NR15LG McKinley



<p>Tier 1 Bow Pull - 6 3/16" Polished Chrome PULL 3128PC 96mm Center • Overall Length: 6 3/16"</p>	<p>Tier 1 Bow Pull - 6 3/16" Satin Nickel PULL 3128SN 96mm Center • Overall Length: 6 3/16"</p>	<p>Tier 1 Bow Pull - 6 3/16" Modern Brushed Gold PULL 3128MG 96mm Center • Overall Length: 6 3/16"</p>	<p>Tier 1 Bow Pull - 6 3/16" Brushed Copper PULL 3128CP 96mm Center • Overall Length: 6 3/16"</p>	<p>Tier 1 Bow Pull - 6 3/16" Matte Black PULL 3128MB 96mm Center • Overall Length: 6 3/16"</p>
---	--	---	--	---

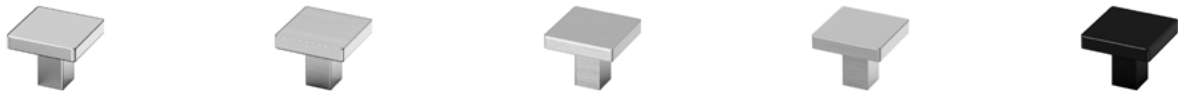
NR12 Edgeworth w/ DFO, Mission w/ DFO, **Stemson w/ DFO**
NR12LG Cardiff w/ DFO, **Stemson w/ DFO**, Warren w/ DFO
NR15LG McKinley

Tempo



<p>Tier 2 Tempo Pull Polished Chrome PULL 0323PC 128mm Center • Overall Length: 5 7/16"</p>	<p>Tier 2 Tempo Pull Satin Nickel PULL 0323SN 128mm Center • Overall Length: 5 7/16"</p>	<p>Tier 2 Tempo Pull Modern Brushed Gold PULL 0323MG 128mm Center • Overall Length: 5 7/16"</p>	<p>Tier 2 Tempo Pull Brushed Copper PULL 0323CP 128mm Center • Overall Length: 5 7/16"</p>	<p>Tier 2 Tempo Pull Matte Black PULL 0323MB 128mm Center • Overall Length: 5 7/16"</p>
--	---	--	---	--

NR12 Mission w/ DFO
NR12LG Cardiff w/ DFO, McKinley, Mission w/ DFO, **Stemson w/ DFO**



<p>Tier 2 Tempo Knob Polished Chrome KNOB 0322PC</p>	<p>Tier 2 Tempo Knob Satin Nickel KNOB 0322SN</p>	<p>Tier 2 Tempo Knob Modern Brushed Gold KNOB 0322MG</p>	<p>Tier 2 Tempo Knob Brushed Copper KNOB 0322CP</p>	<p>Tier 2 Tempo Knob Matte Black KNOB 0322MB</p>
---	--	---	--	---

Cup



**Tier 2
Cup Pull**
Satin Nickel
PULL 3105SN
3" Center • Overall Length: 4 5/8"



**Tier 2
Cup Pull**
Weathered Nickel
PULL 3105WN
3" Center • Overall Length: 4 5/8"



**Tier 2
Cup Pull**
Modern Brushed Gold
PULL 3105MG
3" Center • Overall Length: 4 5/8"



**Tier 2
Cup Pull**
Verona Bronze
PULL 3105VB
3" Center • Overall Length: 4 5/8"



**Tier 2
Cup Pull**
Matte Black
PULL 3105MB
3" Center • Overall Length: 4 5/8"

NR Edgeworth w/ DFO, McKinley, [Stemson w/ DFO](#)

NRKDC Breckenridge w/ DFO, Glasson w/ DFO, Mission w/ DFO

Classic



**Tier 1
Classic Pull**
Satin Nickel
PULL 3172SN
3" Center • Overall Length: 5 5/8"



**Tier 1
Classic Pull**
Verona Bronze
PULL 3172VB
3" Center • Overall Length: 5 5/8"



**Tier 1
Classic Pull**
Matte Black
PULL 3172MB
3" Center • Overall Length: 5 5/8"

NR12LG McKinley, [Stemson w/ DFO](#)



**Tier 1
Classic Knob**
Satin Nickel
KNOB 3173SN



**Tier 1
Classic Knob**
Weathered Nickel
KNOB 3173WN



**Tier 1
Classic Knob**
Modern Brushed Gold
KNOB 3173MG



**Tier 1
Classic Knob**
Verona Bronze
KNOB 3173VB



**Tier 1
Classic Knob**
Matte Black
KNOB 3173MB

Toggle



**Tier 1
Toggle Knob**
Satin Nickel
KNOB 3239SN



**Tier 1
Toggle Knob**
Verona Bronze
KNOB 3239VB



**Tier 1
Toggle Knob**
Matte Black
KNOB 3239MB

Twisted Crescent



Tier 1
Twisted Crescent Pull
Satin Nickel
PULL 3122SN

96mm Center • Overall Length: 5 1/16"



Tier 1
Twisted Crescent Pull
Verona Bronze
PULL 3122VB

96mm Center • Overall Length: 5 1/16"



Tier 1
Twisted Crescent Pull
Matte Black
PULL 3122MB

96mm Center • Overall Length: 5 1/16"

NR12LG McKinley, [Stemson w/ DFO](#)

Button



Tier 1
Button Knob
Satin Nickel
KNOB 3213SN



Tier 1
Button Knob
Verona Bronze
KNOB 3213VB



Tier 1
Button Knob
Matte Black
KNOB 3213MB

Ringed



Tier 1
Ringed Arch Pull
Satin Nickel
PULL 3672SN

3" Center • Overall Length: 5 1/2"



Tier 1
Ringed Arch Pull
Verona Bronze
PULL 3672VB

3" Center • Overall Length: 5 1/2"



Tier 1
Ringed Arch Pull
Matte Black
PULL 3672MB

3" Center • Overall Length: 5 1/2"

NR12 Mission w/ DFO

NR12LG Cardiff w/ DFO, McKinley, Mission w/ DFO, [Stemson w/ DFO](#)



Tier 1
Ringed Knob
Satin Nickel
KNOB 3673SN



Tier 1
Ringed Knob
Verona Bronze
KNOB 3673VB



Tier 1
Ringed Knob
Matte Black
KNOB 3673MB

T-Bar



Tier 3
T-Bar Pull - 12 7/16"
Polished Chrome
PULL 4730PC

Tier 3
T-Bar Pull - 12 7/16"
Satin Nickel
PULL 4730SN

Tier 3
T-Bar Pull - 12 7/16"
Modern Brushed Gold
PULL 4730MG

Tier 3
T-Bar Pull - 12 7/16"
Brushed Copper
PULL 4730CP

Tier 3
T-Bar Pull - 12 7/16"
Matte Black
PULL 4730MB

256mm Center • Overall Length: 12 7/16" 256mm Center • Overall Length: 12 7/16" 256mm Center • Overall Length: 12 7/16" 256mm Center • Overall Length: 12 7/16" 256mm Center • Overall Length: 12 7/16"

NR12	Any door style
NR15	Breckenridge w/ DFO, Cardiff w/ DFO, Edgeworth, Edgeworth w/ DFO, Glasson w/ DFO, Irvington w/ DFO, McKinley, Mission w/ DFO, Warren w/ DFO
NR18	Stemson w/ DFO
NR12LG	Any door style
NR15LG	Breckenridge w/ DFO, Edgeworth w/ DFO, Glasson w/ DFO, Irvington, Mission w/ DFO, Warren w/ DFO
NR18LG	Cardiff w/ DFO, Stemson w/ DFO
NR21LG	McKinley



Tier 2
T-Bar Pull - 8 5/8"
Polished Chrome
PULL 4712PC

Tier 2
T-Bar Pull - 8 5/8"
Satin Nickel
PULL 4712SN

Tier 2
T-Bar Pull - 8 5/8"
Modern Brushed Gold
PULL 4712MG

Tier 2
T-Bar Pull - 8 5/8"
Brushed Copper
PULL 4712CP

Tier 2
T-Bar Pull - 8 5/8"
Matte Black
PULL 4712MB

160mm Center • Overall Length: 8 5/8" 160mm Center • Overall Length: 8 5/8" 160mm Center • Overall Length: 8 5/8" 160mm Center • Overall Length: 8 5/8" 160mm Center • Overall Length: 8 5/8"

NR12	Breckenridge w/ DFO, Cardiff w/ DFO, Edgeworth w/ DFO, Glasson w/ DFO, Irvington w/ DFO, McKinley, Mission w/ DFO, Stemson w/ DFO , Warren w/ DFO
NR12LG	Warren w/ DFO
NR15LG	Cardiff w/ DFO, Edgeworth w/ DFO, McKinley, Mission w/ DFO, Stemson w/ DFO



Tier 1
T-Bar Pull - 5 1/16"
Polished Chrome
PULL 4701PC

Tier 1
T-Bar Pull - 5 1/16"
Satin Nickel
PULL 4701SN

Tier 1
T-Bar Pull - 5 1/16"
Modern Brushed Gold
PULL 4701MG

Tier 1
T-Bar Pull - 5 1/16"
Brushed Copper
PULL 4701CP

Tier 1
T-Bar Pull - 5 1/16"
Matte Black
PULL 4701MB

3" Center • Overall Length: 5 1/16" 3" Center • Overall Length: 5 1/16" 3" Center • Overall Length: 5 1/16" 3" Center • Overall Length: 5 1/16" 3" Center • Overall Length: 5 1/16"

NR12LG	McKinley
---------------	----------



Tier 1
T-Bar Knob
Polished Chrome
KNOB 4703PC

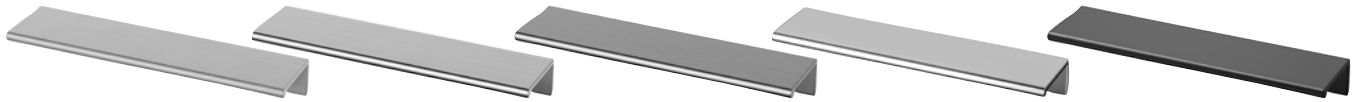
Tier 1
T-Bar Knob
Satin Nickel
KNOB 4703SN

Tier 1
T-Bar Knob
Modern Brushed Gold
KNOB 4703MG

Tier 1
T-Bar Knob
Brushed Copper
KNOB 4703CP

Tier 1
T-Bar Knob
Matte Black
KNOB 4703MB

Tab



Tier 3
Tab Pull - 6"
Polished Chrome
 PULL 1060PC
 Overall Length: 6"

Tier 3
Tab Pull - 6"
Satin Nickel
 PULL 1060SN
 Overall Length: 6"

Tier 3
Tab Pull - 6"
Modern Brushed Gold
 PULL 1060MG
 Overall Length: 6"

Tier 3
Tab Pull - 6"
Brushed Copper
 PULL 1060CP
 Overall Length: 6"

Tier 3
Tab Pull - 6"
Matte Black
 PULL 1060MB
 Overall Length: 6"



Tier 2
Tab Pull - 3"
Polished Chrome
 PULL 1055PC
 Overall Length: 3"



Tier 2
Tab Pull - 3"
Satin Nickel
 PULL 1055SN
 Overall Length: 3"



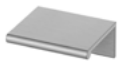
Tier 2
Tab Pull - 3"
Modern Brushed Gold
 PULL 1055MG
 Overall Length: 3"



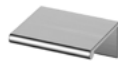
Tier 2
Tab Pull - 3"
Brushed Copper
 PULL 1055CP
 Overall Length: 3"



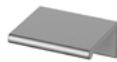
Tier 2
Tab Pull - 3"
Matte Black
 PULL 1055MB
 Overall Length: 3"



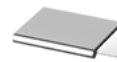
Tier 1
Tab Pull - 1 3/4"
Polished Chrome
 PULL 1050PC
 Overall Length: 1 3/4"



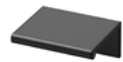
Tier 1
Tab Pull - 1 3/4"
Satin Nickel
 PULL 1050SN
 Overall Length: 1 3/4"



Tier 1
Tab Pull - 1 3/4"
Modern Brushed Gold
 PULL 1050MG
 Overall Length: 1 3/4"

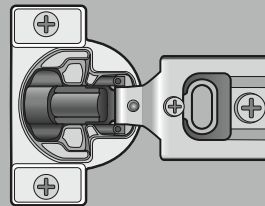
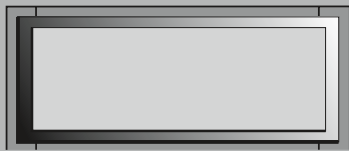
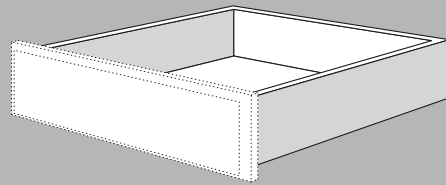
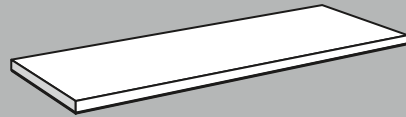
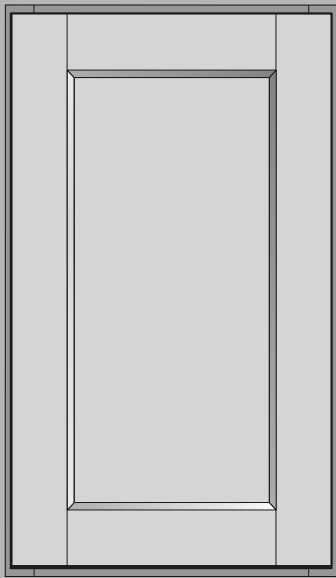


Tier 1
Tab Pull - 1 3/4"
Brushed Copper
 PULL 1050CP
 Overall Length: 1 3/4"



Tier 1
Tab Pull - 1 3/4"
Matte Black
 PULL 1050MB
 Overall Length: 1 3/4"

Parts Directory



Parts Directory

Wall Cabinets

Standard	P3
Wall End Angle	P5
Wall Top Hinge	P5
Blind	P5
Corner	P6
Refrigerator	P6
With Spice Rack	P7
Appliance Garage	P7
Microwave	P7
Wall Range Hood	P8
Wall Easy Reach	P8

Base Cabinets

Furniture Drawer	P9
Pedestal Drawers	P9
Standard	P10
With Deep Roll Out Tray(s)	P10
Base Pot and Pan Organizer	P11
With Door Accessory	P11
With Roll Out Tray Divider	P11
With Factory Installed Wastebaskets	P11
Peninsula	P11
With Factory Installed Cutlery Divider Kit	P12
With Factory Installed Spice Drawer Insert Kit	P12
With Factory Installed Wood Tiered Cutlery Divider Kit	P13
Blind Corner	P13
Blind Peninsula Corner	P13
Full-Height Base	P17
Full-Height Base with Accessory	P17
Full-Height Base with Deep Roll Out Trays	P17
Full-Height Blind Base	P17
Full-Height Blind Base with Accessories	P17
Full-Height Wastebasket	P18
Base End Angle	P18
Full-Height Peninsula	P18

Drawer Base Cabinets

Two Drawer Base	P14
Three Drawer Base	P15
Three Drawer With Factory Installed Drawer Organizer	P15
Four Drawer	P16
Four Drawer With Factory Installed Drawer Organizer	P16
Base Microwave	P16
Base Spice Drawer	P16
Spice Drawer Cabinet	P16

Sink Base Cabinets

Corner Sink Base, Corner Sink Front	P19
Deep Sink Base	P19
Sink/Cooktop Base and Front	P19
Sink with Factory Installed Tilt-Out Tray(s)	P19
Sink with Factory Installed Tilt-Out Tray(s)	P19
Base Plumbing Skirt	P19
Adaptable Sink Base Kit	P19

Corner Base Cabinets

Tall Cabinets	P20
Utility With Adjustable Shelves	P21
Utility With Deep Roll Out Trays	P24
Utility With Pantry Storage	P25
Double Oven	P26
Single Oven	P27

Vanity Cabinets

Vanity Sink Base 31 1/8" High	P31
Vanity Sink Base 34 1/2" High	P31
Vanity Plumbing Skirt	P31
Vanity Sink Front	P31
Vanity Drawer Base 31 1/8" High	P32
Vanity Drawer Base 34 1/2" High	P32
Kneehole Drawer	P32
With Full-Height Door	P32
Vanity Base 31 1/8" High	P33
Vanity Combo Sink Base 18" Deep, 31 1/8" High	P33
Vanity Sink Base With Top Drawers 31 1/8" High	P33
Vanity Combo Sink Base 31 1/8" High	P34
Vanity Base 34 1/2" High	P34
With Factory Installed Wastebasket 34 1/2" High	P35
Vanity Sink Base With Top Drawers 34 1/2" High	P35
Vanity Combo Sink Base 18" Deep, 34 1/2" High	P35
Vanity Combo Sink Base 34 1/2" High	P36
Vanity Linen	P37
Medicine Cabinet	P37
Tri-View Mirror	P37
Valet	P37

Desk & Office Cabinets

Kneehole Drawer	P32
Desk File Pull Out	P38
Desk Drawer	P38
With Factory Installed Wastebasket(s)	P38
Desk Door	P38
Decorator Matching Doors	P39

Dimensions

Doors	P40
Drawer Body	P42
Shelves	P43
Roll Out Trays/Accessories	P43
Glass Inserts	P44
Drawer Front	P46

Accessories

Miscellaneous Parts	P47
---------------------	-----

Replacement Parts Reference Sheet

P50

DOOR NOMENCLATURE LEGEND

	Doors must be ordered as hinged left (invert for right hinging) or as no drill	
DR_	Example:	SKU: DR1230 Option: Left Hinge
DR_SD	Example:	Specialty Doors are used for Mullion Frame or Open Frame Door options SKU: DR1230 SD Option: OFD - Open Frame Door Option: Left Hinge
DR_FH	Example:	Full-Height Door for Full-Height Base, Full-Height Peninsula Base and Full-Height Vanity Base SKU: DR15 FH Option: Left Hinge
DR_V	Example:	Standard height Vanity door SKU: DR1821V Option: Right Hinge

DRAWER/PANEL FRONT NOMENCLATURE LEGEND

DDF__	Drawer/Panel Front for Base, Desk or Vanity cabinet
DDF__M	Large Drawer Front for Full Overlay cabinet
DDF__D	Large Drawer Front for Partial Overlay cabinet
DDF__VD	Large Drawer Front for Full Overlay standard height Vanity cabinet
DDFOV__	Drawer Front for Full Overlay OVD__ (AS) BUTT
DDFKDC__	Drawer Front for Kneehole Drawer cabinet
DDF__2DB	Drawer Front for 2 Drawer Base Cabinet

ADJUSTABLE SHELVING NOMENCLATURE LEGEND

Bookshelves and Microwave Wall Cabinet replacement shelves feature Matching Interior standard - MI and MI PLY Shelving NOT available Specialty Door cabinets feature Matching Interior standard, replacement shelves must be ordered as __" SHELF MI or __" SHELF MI PLY	
__" SHELF 3/4	Adjustable Shelf - Standard Wall Construction 3/4" Example: 12" SHELF 3/4
__" SHELF 24 DP 3/4	Adjustable Shelf - Standard Base Construction 3/4" Example: 12" SHELF 24DP 3/4
__" SHELF MI	For Matching Interior 3/4" Adjustable Shelving, replace 3/4 with MI Example: 12" SHELF MI
__" SHELF PLY	For All Plywood Construction 3/4" Adjustable Shelving, replace 3/4 with PLY Example: 12" SHELF PLY
__" SHELF MI PLY	For All Plywood Construction 3/4" Matching Interior Adjustable Shelving, replace 3/4 with MI PLY Example: 12" SHELF MI PLY

*refer to Reduced Depth chart on page 41 for cabinets with RD

PARTS DIRECTORY: Wall Cabinets

SKU	Qty	DOOR	SPECIALTY DOOR	DECORATIVE GLASS	Qty	ADJUSTABLE SHELF
			*Specialty doors require a specialty door selection			*For All Plywood Construction or Matching Interior Adjustable Shelf, refer to Parts Directory legend
		Part Name	*Part Name	Part Name		*Part Name
STANDARD WALL - 42" HIGH						
W942	1	DR942	-	-	3	9" SHELF 3/4
W1242	1	DR1242	DR1242 SD	DGI-1242	3	12" SHELF 3/4
W1542	1	DR1542	DR1542 SD	DGI-1542	3	15" SHELF 3/4
W1842	1	DR1842	DR1842 SD	DGI-1842	3	18" SHELF 3/4
W2142	1	DR2142	DR2142 SD	DGI-2142	3	21" SHELF 3/4
W2442 BUTT	2	DR1242 BUTT	DR1242 BUTT SD	DGI-1242 BUTT	3	24" SHELF 3/4
W2742 BUTT	2	DR1342 BUTT	DR1342 BUTT SD	DGI-1342 BUTT	3	27" SHELF 3/4
W3042 BUTT	2	DR1542 BUTT	DR1542 BUTT SD	DGI-1542 BUTT	3	30" SHELF 3/4
W3342 BUTT	2	DR1642 BUTT	DR1642 BUTT SD	DGI-1642 BUTT	3	33" SHELF 3/4
W3642 BUTT	2	DR1842 BUTT	DR1842 BUTT SD	DGI-1842 BUTT	3	36" SHELF 3/4
W3942	2	DR1942	DR1942 SD	DGI-1942	3	39" SHELF 3/4
W4242	2	DR2142	DR2142 SD	DGI-2142	3	42" SHELF 3/4
STANDARD WALL - 39" HIGH						
W939	1	DR939	-	-	3	9" SHELF 3/4
W1239	1	DR1239	DR1239 SD	DGI-1239	3	12" SHELF 3/4
W1539	1	DR1539	DR1539 SD	DGI-1539	3	15" SHELF 3/4
W1839	1	DR1839	DR1839 SD	DGI-1839	3	18" SHELF 3/4
W2139	1	DR2139	DR2139 SD	DGI-2139	3	21" SHELF 3/4
W2439 BUTT	2	DR1239 BUTT	DR1239 BUTT SD	DGI-1239 BUTT	3	24" SHELF 3/4
W2739 BUTT	2	DR1339 BUTT	DR1339 BUTT SD	DGI-1339 BUTT	3	27" SHELF 3/4
W3039 BUTT	2	DR1539 BUTT	DR1539 BUTT SD	DGI-1539 BUTT	3	30" SHELF 3/4
W3339 BUTT	2	DR1639 BUTT	DR1639 BUTT SD	DGI-1639 BUTT	3	33" SHELF 3/4
W3639 BUTT	2	DR1839 BUTT	DR1839 BUTT SD	DGI-1839 BUTT	3	36" SHELF 3/4
STANDARD WALL - 36" HIGH						
W936	1	DR936	-	-	2	9" SHELF 3/4
W1236	1	DR1236	DR1236 SD	DGI-1236	2	12" SHELF 3/4
W1536	1	DR1536	DR1536 SD	DGI-1536	2	15" SHELF 3/4
W1836	1	DR1836	DR1836 SD	DGI-1836	2	18" SHELF 3/4
W2136	1	DR2136	DR2136 SD	DGI-2136	2	21" SHELF 3/4
W2436 BUTT	2	DR1236 BUTT	DR1236 BUTT SD	DGI-1236 BUTT	2	24" SHELF 3/4
W2736 BUTT	2	DR1336 BUTT	DR1336 BUTT SD	DGI-1336 BUTT	2	27" SHELF 3/4
W3036 BUTT	2	DR1536 BUTT	DR1536 BUTT SD	DGI-1536 BUTT	2	30" SHELF 3/4
W3336 BUTT	2	DR1636 BUTT	DR1636 BUTT SD	DGI-1636 BUTT	2	33" SHELF 3/4
W3636 BUTT	2	DR1836 BUTT	DR1836 BUTT SD	DGI-1836 BUTT	2	36" SHELF 3/4
W3936	2	DR1936	DR1936 SD	DGI-1936	2	39" SHELF 3/4
W4236	2	DR2136	DR2136 SD	DGI-2136	2	42" SHELF 3/4
STANDARD WALL - 30" HIGH						
W930	1	DR930	-	-	2	9" SHELF 3/4
W1230	1	DR1230	DR1230 SD	DGI-1230	2	12" SHELF 3/4
W1530	1	DR1530	DR1530 SD	DGI-1530	2	15" SHELF 3/4
W1830	1	DR1830	DR1830 SD	DGI-1830	2	18" SHELF 3/4
W2130	1	DR2130	DR2130 SD	DGI-2130	2	21" SHELF 3/4
W2430	1	DR2430	-	-	2	24" SHELF 3/4
W2430 BUTT	2	DR1230 BUTT	DR1230 BUTT SD	DGI-1230 BUTT	2	24" SHELF 3/4
W2730 BUTT	2	DR1330 BUTT	DR1330 BUTT SD	DGI-1330 BUTT	2	27" SHELF 3/4
W3030 BUTT	2	DR1530 BUTT	DR1530 BUTT SD	DGI-1530 BUTT	2	30" SHELF 3/4
W3330 BUTT	2	DR1630 BUTT	DR1630 BUTT SD	DGI-1630 BUTT	2	33" SHELF 3/4
W3630 BUTT	2	DR1830 BUTT	DR1830 BUTT SD	DGI-1830 BUTT	2	36" SHELF 3/4
W3930	2	DR1930	DR1930 SD	DGI-1930	2	39" SHELF 3/4
W4230	2	DR2130	DR2130 SD	DGI-2130	2	42" SHELF 3/4
W4530	3	DR1530	DR1530 SD	DGI-1530	2	45" SHELF 3/4
W4830	2	DR2430	-	-	2	48" SHELF 3/4

SKU	Qty	DOOR	SPECIALTY DOOR	DECORATIVE GLASS	Qty	ADJUSTABLE SHELF
			*Specialty doors require a specialty door selection			*For All Plywood Construction or Matching Interior Adjustable Shelf, refer to Parts Directory legend
		Part Name	*Part Name	Part Name		*Part Name
STANDARD WALL • 27" HIGH						
W3027 BUTT	2	DR1527 BUTT	DR1527 BUTT SD	DGI-1527 BUTT	1	30" SHELF 3/4
STANDARD WALL • 24" HIGH						
W1224	1	DR1224	DR1224 SD	DGI-1224	1	12" SHELF 3/4
W1524	1	DR1524	DR1524 SD	DGI-1524	1	15" SHELF 3/4
W1824	1	DR1824	DR1824 SD	DGI-1824	1	18" SHELF 3/4
W2124	1	DR2124	DR2124 SD	DGI-2124	1	21" SHELF 3/4
W2424 BUTT	2	DR1224 BUTT	DR1224 BUTT SD	DGI-1224 BUTT	1	24" SHELF 3/4
W2724 BUTT	2	DR1324 BUTT	DR1324 BUTT SD	DGI-1324 BUTT	1	27" SHELF 3/4
W3024 BUTT	2	DR1524 BUTT	DR1524 BUTT SD	DGI-1524 BUTT	1	30" SHELF 3/4
W3324 BUTT	2	DR1624 BUTT	DR1624 BUTT SD	DGI-1624 BUTT	1	33" SHELF 3/4
W3624 BUTT	2	DR1824 BUTT	DR1824 BUTT SD	DGI-1824 BUTT	1	36" SHELF 3/4
W3924	2	DR1924	DR1924 SD	DGI-1924	1	39" SHELF 3/4
W4224	2	DR2124	DR2124 SD	DGI-2124	1	42" SHELF 3/4
W4524	3	DR1524	DR1524 SD	DGI-1524	1	45" SHELF 3/4
STANDARD WALL • 21" HIGH						
W3021 BUTT	2	DR1521 BUTT	DR1521 BUTT SD	DGI-1521 BUTT	-	-
W3321 BUTT	2	DR1621 BUTT	DR1621 BUTT SD	DGI-1621 BUTT	-	-
W3621 BUTT	2	DR1821 BUTT	DR1821 BUTT SD	DGI-1821 BUTT	-	-
W3921	2	DR1921	DR1921 SD	DGI-1921	-	-
STANDARD WALL • 18" HIGH						
W1218	1	DR1218	DR1218 SD	DGI-1218	-	-
W1518	1	DR1518	DR1518 SD	DGI-1518	-	-
W1818	1	DR1818	DR1818 SD	DGI-1818	-	-
W2118	1	DR2118	DR2118 SD	DGI-2118	-	-
W2418 BUTT	2	DR1218 BUTT	DR1218 BUTT SD	DGI-1218 BUTT	-	-
W2718 BUTT	2	DR1318 BUTT	DR1318 BUTT SD	DGI-1318 BUTT	-	-
W3018 BUTT	2	DR1518 BUTT	DR1518 BUTT SD	DGI-1518 BUTT	-	-
W3318 BUTT	2	DR1618 BUTT	DR1618 BUTT SD	DGI-1618 BUTT	-	-
W3618 BUTT	2	DR1818 BUTT	DR1818 BUTT SD	DGI-1818 BUTT	-	-
W3918	2	DR1918	DR1918 SD	DGI-1918	-	-
W4218	2	DR2118	DR2118 SD	DGI-2118	-	-
STANDARD WALL • 15" HIGH						
W3015 BUTT	2	DR1515 BUTT	DR1515 BUTT SD	DGI-1515 BUTT	-	-
W3315 BUTT	2	DR1615 BUTT	DR1615 BUTT SD	DGI-1615 BUTT	-	-
W3615 BUTT	2	DR1815 BUTT	DR1815 BUTT SD	DGI-1815 BUTT	-	-
W3915	2	DR1915	DR1915 SD	DGI-1915	-	-
STANDARD WALL • 12" HIGH						
W3012 BUTT	2	DR1512 BUTT	DR1512 BUTT SD	DGI-1512 BUTT	-	-
W3312 BUTT	2	DR1612 BUTT	DR1612 BUTT SD	DGI-1612 BUTT	-	-
W3612 BUTT	2	DR1812 BUTT	DR1812 BUTT SD	DGI-1812 BUTT	-	-
W3912	2	DR1912	DR1912 SD	DGI-1912	-	-

PARTS DIRECTORY: Wall Cabinets

SKU	Qty	DOOR	SPECIALTY DOOR	DECORATIVE GLASS	Qty	ADJUSTABLE SHELF
			*Specialty doors require a specialty door selection			*For All Plywood Construction or Matching Interior Adjustable Shelf, refer to Parts Directory legend
		Part Name	*Part Name	Part Name		*Part Name
WALL END ANGLE						
WEA1230	1	DR1530	DR1530 SD	DGI-1530	2	WEA SHELF 3/4
WEA1236	1	DR1536	DR1536 SD	DGI-1536	2	WEA SHELF 3/4
WEA1239	1	DR1539	DR1539 SD	DGI-1539	3	WEA SHELF 3/4
WEA1242	1	DR1542	DR1542 SD	DGI-1542	3	WEA SHELF 3/4
WALL TOP HINGE - 15" HIGH						
WTH3015	1	DR3015 WTH	DR3015 WTH SD	DGI-1530	-	-
WTH3615	1	DR3615 WTH	DR3615 WTH SD	DGI-1536	-	-
WALL TOP HINGE - 18" HIGH						
WTH3018	1	DR3018 WTH	DR3018 WTH SD	DGI-1830	-	-
WTH3618	1	DR3618 WTH	DR3618 WTH SD	DGI-1836	-	-
WALL TOP HINGE - 15" HIGH X 24" DEEP						
WTH3015 X 24DP	1	DR3015 WTH	DR3015 WTH SD	DGI-1530	-	-
WTH3615 X 24DP	1	DR3615 WTH	DR3615 WTH SD	DGI-1536	-	-
WALL TOP HINGE - 18" HIGH X 24" DEEP						
WTH3018 X 24DP	1	DR3018 WTH	DR3018 WTH SD	DGI-1830	-	-
WTH3618 X 24DP	1	DR3618 WTH	DR3618 WTH SD	DGI-1836	-	-
BLIND WALL - 42" HIGH						
BLW24/2742	1	DR1242	DR1242 SD	DGI-1242	3	24" SHELF 3/4
BLW30/3342	1	DR1842	DR1842 SD	DGI-1842	3	30" SHELF 3/4
BLW33/3642	1	DR2142	DR2142 SD	DGI-2142	3	33" SHELF 3/4
BLW36/3942 BUTT	2	DR1242 BUTT	DR1242 BUTT SD	DGI-1242 BUTT	3	36" SHELF 3/4
BLW39/4242 BUTT	2	DR1342 BUTT	DR1342 BUTT SD	DGI-1342 BUTT	3	39" SHELF 3/4
BLW42/4542 BUTT	2	DR1542 BUTT	DR1542 BUTT SD	DGI-1542 BUTT	3	42" SHELF 3/4
BLIND WALL - 39" HIGH						
BLW24/2739	1	DR1239	DR1239 SD	DGI-1239	3	24" SHELF 3/4
BLW30/3339	1	DR1839	DR1839 SD	DGI-1839	3	30" SHELF 3/4
BLW33/3639	1	DR2139	DR2139 SD	DGI-2139	3	33" SHELF 3/4
BLW36/3939 BUTT	2	DR1239 BUTT	DR1239 BUTT SD	DGI-1239 BUTT	3	36" SHELF 3/4
BLW39/4239 BUTT	2	DR1339 BUTT	DR1339 BUTT SD	DGI-1339 BUTT	3	39" SHELF 3/4
BLW42/4539 BUTT	2	DR1539 BUTT	DR1539 BUTT SD	DGI-1539 BUTT	3	42" SHELF 3/4
BLIND WALL - 36" HIGH						
BLW24/2736	1	DR1236	DR1236 SD	DGI-1236	2	24" SHELF 3/4
BLW30/3336	1	DR1836	DR1836 SD	DGI-1836	2	30" SHELF 3/4
BLW33/3636	1	DR2136	DR2136 SD	DGI-2136	2	33" SHELF 3/4
BLW36/3936 BUTT	2	DR1236 BUTT	DR1236 BUTT SD	DGI-1236 BUTT	2	36" SHELF 3/4
BLW39/4236 BUTT	2	DR1336 BUTT	DR1336 BUTT SD	DGI-1336 BUTT	2	39" SHELF 3/4
BLW42/4536 BUTT	2	DR1536 BUTT	DR1536 BUTT SD	DGI-1536 BUTT	2	42" SHELF 3/4
BLIND WALL - 30" HIGH						
BLW24/2730	1	DR1230	DR1230 SD	DGI-1230	2	24" SHELF 3/4
BLW27/3030	1	DR1530	DR1530 SD	DGI-1530	2	27" SHELF 3/4
BLW30/3330	1	DR1830	DR1830 SD	DGI-1830	2	30" SHELF 3/4
BLW33/3630	1	DR2130	DR2130 SD	DGI-2130	2	33" SHELF 3/4
BLW36/3930	1	DR2430	-	-	2	36" SHELF 3/4
BLW36/3930 BUTT	2	DR1230 BUTT	DR1230 BUTT SD	DGI-1230 BUTT	2	36" SHELF 3/4
BLW39/4230 BUTT	2	DR1330 BUTT	DR1330 BUTT SD	DGI-1330 BUTT	2	39" SHELF 3/4
BLW42/4530 BUTT	2	DR1530 BUTT	DR1530 BUTT SD	DGI-1530 BUTT	2	42" SHELF 3/4
BLW45/4830 BUTT	2	DR1630 BUTT	DR1630 BUTT SD	DGI-1630 BUTT	2	45" SHELF 3/4
BLW48/5130 BUTT	2	DR1830 BUTT	DR1830 BUTT SD	DGI-1830 BUTT	2	48" SHELF 3/4

SKU	Qty	DOOR	SPECIALTY DOOR	DECORATIVE GLASS	Qty	ADJUSTABLE SHELF
			*Specialty doors require a specialty door selection			*For All Plywood Construction or Matching Interior Adjustable Shelf, refer to Parts Directory legend
		Part Name	*Part Name	Part Name		*Part Name
BLIND WALL - 24" HIGH						
BLW24/2724	1	DRI224	DRI224 SD	DGI-1224	1	24" SHELF 3/4
BLW27/3024	1	DRI524	DRI524 SD	DGI-1524	1	27" SHELF 3/4
BLW30/3324	1	DRI824	DRI824 SD	DGI-1824	1	30" SHELF 3/4
BLW33/3624	1	DR2124	DR2124 SD	DGI-2124	1	33" SHELF 3/4
BLW36/3924 BUTT	2	DRI224 BUTT	DRI224 BUTT SD	DGI-1224 BUTT	1	36" SHELF 3/4
CORNER WALL CABINET WITH APPLIANCE GARAGE - 48" HIGH						
CWD2448	1	DRI530	DRI530 SD	DGI-1530	2	CW SHELF ADJ 3/4
	1	DRI518				
CWDS2448	1	DRI530	DRI530 SD	DGI-1530	2	CWS UNIT RAS
	1	DRI518				
CWDS2448 WD	1	DRI530	DRI530 SD	DGI-1530	2	CWS24 SHELF WD NP
	1	DRI518				
CORNER WALL - 42" HIGH						
CW2442	1	DRI542	DRI542 SD	DGI-1542	3	CW SHELF ADJ 3/4
CW2742	1	DRI542	DRI542 SD	DGI-1542	3	CW27 SHELF ADJ 3/4
CWS2442 WD	1	DRI542	DRI542 SD	DGI-1542	3	CWS24 SHELF WD NP
CORNER WALL - 39" HIGH						
CW2439	1	DRI539	DRI539 SD	DGI-1539	3	CW SHELF ADJ 3/4
CW2739	1	DRI539	DRI539 SD	DGI-1539	3	CW27 SHELF ADJ 3/4
CWS2439 WD	1	DRI539	DRI539 SD	DGI-1539	3	CWS24 SHELF WD NP
CORNER WALL - 36" HIGH						
CW2436	1	DRI536	DRI536 SD	DGI-1536	2	CW SHELF ADJ 3/4
CW2736	1	DRI536	DRI536 SD	DGI-1536	2	CW27 SHELF ADJ 3/4
CWS2436 WD	1	DRI536	DRI536 SD	DGI-1536	2	CWS24 SHELF WD NP
CORNER WALL - 30" HIGH						
CW2430	1	DRI530	DRI530 SD	DGI-1530	2	CW SHELF ADJ 3/4
CW2730	1	DRI530	DRI530 SD	DGI-1530	2	CW27 SHELF ADJ 3/4
CWS2430	1	DRI530	DRI530 SD	DGI-1530	1	CWS UNIT RAS
CWS2430 WD	1	DRI530	DRI530 SD	DGI-1530	2	CWS24 SHELF WD NP
CORNER WALL - 24" HIGH						
CW2424	1	DRI524	DRI524 SD	DGI-1524	-	-
CW2724	1	DRI524	DRI524 SD	DGI-1524	-	-
CORNER WALL - 18" HIGH						
CW2418	1	DRI518	DRI518 SD	DGI-1518	-	-
CW2718	1	DRI518	DRI518 SD	DGI-1518	-	-
REFRIGERATOR WALL - 27" HIGH X 24" DEEP						
W3027 X 24 DP BUTT	2	DRI527 BUTT	DRI527 BUTT SD	DGI-1527 BUTT	1	30" SHELF 24DP 3/4
REFRIGERATOR WALL - 24" HIGH X 24" DEEP						
W3024 X 24 DP BUTT	2	DRI524 BUTT	DRI524 BUTT SD	DGI-1524 BUTT	1	30" SHELF 24DP 3/4
W3324 X 24 DP BUTT	2	DRI624 BUTT	DRI624 BUTT SD	DGI-1624 BUTT	1	33" SHELF 24DP 3/4
W3624 X 24 DP BUTT	2	DRI824 BUTT	DRI824 BUTT SD	DGI-1824 BUTT	1	36" SHELF 24DP 3/4
W3924 X 24 DP	2	DRI924	DRI924 SD	DGI-1924	1	39" SHELF 24DP 3/4
REFRIGERATOR WALL - 21" HIGH X 24" DEEP						
W3021 X 24 DP BUTT	2	DRI521 BUTT	DRI521 BUTT SD	DGI-1521 BUTT	-	-
W3321 X 24 DP BUTT	2	DRI621 BUTT	DRI621 BUTT SD	DGI-1621 BUTT	-	-
W3621 X 24 DP BUTT	2	DRI821 BUTT	DRI821 BUTT SD	DGI-1821 BUTT	-	-
W3921 X 24 DP	2	DRI921	DRI921 SD	DGI-1921	-	-

PARTS DIRECTORY: Wall Cabinets

SKU	Qty	DOOR	SPECIALTY DOOR	DECORATIVE GLASS	Qty	ADJUSTABLE SHELF
			*Specialty doors require a specialty door selection			*For All Plywood Construction or Matching Interior Adjustable Shelf, refer to Parts Directory legend
		Part Name	*Part Name	Part Name		*Part Name
REFRIGERATOR WALL - 18" HIGH X 24" DEEP						
W3018 X 24 DP BUTT	2	DR1518 BUTT	DR1518 BUTT SD	DGI-1518 BUTT	-	-
W3318 X 24 DP BUTT	2	DR1618 BUTT	DR1618 BUTT SD	DGI-1618 BUTT	-	-
W3618 X 24 DP BUTT	2	DR1818 BUTT	DR1818 BUTT SD	DGI-1818 BUTT	-	-
W3918 X 24 DP	2	DR1918	DR1918 SD	DGI-1918	-	-
REFRIGERATOR WALL - 15" HIGH X 24" DEEP						
W3015 X 24 DP BUTT	2	DR1515 BUTT	DR1515 BUTT SD	DGI-1515 BUTT	-	-
W3315 X 24 DP BUTT	2	DR1615 BUTT	DR1615 BUTT SD	DGI-1615 BUTT	-	-
W3615 X 24 DP BUTT	2	DR1815 BUTT	DR1815 BUTT SD	DGI-1815 BUTT	-	-
W3915 X 24 DP	2	DR1915	DR1915 SD	DGI-1915	-	-
REFRIGERATOR WALL - 12" HIGH X 24" DEEP						
W3012 X 24 DP BUTT	2	DR1512 BUTT	DR1512 BUTT SD	DGI-1512 BUTT	-	-
W3312 X 24 DP BUTT	2	DR1612 BUTT	DR1612 BUTT SD	DGI-1612 BUTT	-	-
W3612 X 24 DP BUTT	2	DR1812 BUTT	DR1812 BUTT SD	DGI-1812 BUTT	-	-
W3912 X 24 DP	2	DR1912	DR1912 SD	DGI-1912	-	-
W4212 X 24 DP	2	DR2112	-	-	-	-
W4812 X 24 DP BUTT	4	DR1212 BUTT	-	-	-	-
WALL WITH SPICE RACK - 42" HIGH						
W1542 SR	1	DR1542	-	-	3	15" SHELF 3/4
W1842 SR	1	DR1842	-	-	3	18" SHELF 3/4
W2142 SR	1	DR2142	-	-	3	21" SHELF 3/4
WALL WITH SPICE RACK - 39" HIGH						
W1539 SR	1	DR1539	-	-	3	15" SHELF 3/4
W1839 SR	1	DR1839	-	-	3	18" SHELF 3/4
W2139 SR	1	DR2139	-	-	3	21" SHELF 3/4
WALL WITH SPICE RACK - 36" HIGH						
W1536 SR	1	DR1536	-	-	2	15" SHELF 3/4
W1836 SR	1	DR1836	-	-	2	18" SHELF 3/4
W2136 SR	1	DR2136	-	-	2	21" SHELF 3/4
WALL WITH SPICE RACK - 30" HIGH						
W1530 SR	1	DR1530	-	-	2	15" SHELF 3/4
W1830 SR	1	DR1830	-	-	2	18" SHELF 3/4
W2130 SR	1	DR2130	-	-	2	21" SHELF 3/4
STRAIGHT APPLIANCE GARAGE						
AGSD24	2	DR1218 BUTT	DR1218 BUTT SD	DGI-1218 BUTT	-	-
CORNER APPLIANCE GARAGE						
AGD2418	1	DR1518	DR1518 SD	DGI-1518	-	-
AGD2718	1	DR1518	DR1518 SD	DGI-1518	-	-
MICROWAVE WALL - 42" HIGH						
WMC301842 BUTT	2	DR1521 BUTT	-	-	-	-
WMC302142 BUTT	2	DR1521 BUTT	-	-	-	-
MICROWAVE WALL WITH SHELF - 42" HIGH						
WMSC271842 BUTT	2	DR1324 BUTT	-	-	1	WMSC2718 TOP SHELF
MICROWAVE WALL - 39" HIGH						
WMC271839 BUTT	2	DR1318 BUTT	-	-	-	-
WMC272139 BUTT	2	DR1318 BUTT	-	-	-	-
WMC301839 BUTT	2	DR1518 BUTT	-	-	-	-
WMC302139 BUTT	2	DR1518 BUTT	-	-	-	-

SKU	Qty	DOOR	SPECIALTY DOOR	DECORATIVE GLASS	Qty	ADJUSTABLE SHELF
			*Specialty doors require a specialty door selection			*For All Plywood Construction or Matching Interior Adjustable Shelf, refer to Parts Directory legend
		Part Name	*Part Name	Part Name		*Part Name
MICROWAVE WALL - 36" HIGH						
WMC271836 BUTT	2	DR1315 BUTT	-	-	-	-
WMC272136 BUTT	2	DR1315 BUTT	-	-	-	-
WMC301836 BUTT	2	DR1515 BUTT	-	-	-	-
WMC302136 BUTT	2	DR1515 BUTT	-	-	-	-
WMSC271236 BUTT	2	DR1315 BUTT	-	-	-	-
WMSC271836 BUTT	2	DR1315 BUTT	-	-	-	-
WMSC301236 BUTT	2	DR1515 BUTT	-	-	-	-
WALL COMPACT MICROWAVE - 36" HIGH						
WCMSC241236 BUTT	2	DR1218 BUTT	-	-	-	-
WCMSC271236 BUTT	2	DR1318 BUTT	-	-	-	-
WALL RANGE HOOD - 30" HIGH						
WRH3030 SV	2	DR1521 BUTT	-	-	-	-
WRH3630 SV	2	DR1821 BUTT	-	-	-	-
WRH3030 RP	2	DR1521 BUTT	-	-	-	-
WRH3630 RP	2	DR1821 BUTT	-	-	-	-
WALL RANGE HOOD - 27" HIGH						
WRH3027 SV	2	DR1518 BUTT	-	-	-	-
WRH3627 SV	2	DR1818 BUTT	-	-	-	-
WRH3027 RP	2	DR1518 BUTT	-	-	-	-
WRH3627 RP	2	DR1818 BUTT	-	-	-	-
WALL RANGE HOOD - 24" HIGH						
WRH3024 SV	2	DR1515 BUTT	-	-	-	-
WRH3624 SV	2	DR1815 BUTT	-	-	-	-
WRH3024 RP	2	DR1515 BUTT	-	-	-	-
WRH3624 RP	2	DR1815 BUTT	-	-	-	-
WALL EASY REACH						
WER2430	1	DR1230 WER DRILL	-	-	2	WER SHELF 3/4
	1	DR1230 WER ND				
WER2436	1	DR1236 WER DRILL	-	-	2	WER SHELF 3/4
	1	DR1236 WER ND				
WER2439	1	DR1239 WER DRILL	-	-	3	WER SHELF 3/4
	1	DR1239 WER ND				
WER2442	1	DR1242 WER DRILL	-	-	3	WER SHELF 3/4
	1	DR1242 WER ND				

PARTS DIRECTORY: Base Cabinets

SKU	Qty	DRAWER FRONT		DRAWER BODY
		Full Overlay	Partial Overlay	
		Part Name	Part Name	Part Name
FURNITURE DRAWERS • 12" DEEP • 6" HIGH				
FD121206	1	DDF12	DDF12	DRB12 X 9DP DT FD
FD151206	1	DDF15	DDF15	DRB15 X 9DP DT FD
FD181206	1	DDF18	DDF18	DRB18 X 9DP DT FD
FD211206	1	DDF21	DDF21	DRB21 X 9DP DT FD
FD241206	1	DDF24	DDF24	DRB24 X 9DP DT FD
FD271206	1	DDF27	DDF27	DRB27 X 9DP DT FD
FD301206	1	DDF30	DDF30	DRB30 X 9DP DT FD
FD331206	1	DDF33	DDF33	DRB33 X 9DP DT FD
FD361206	1	DDF36	DDF36	DRB36 X 9DP DT FD
FURNITURE DRAWERS • 24" DEEP • 6" HIGH				
FD122406	1	DDF12	DDF12	DRB12 X 21DP DT FD
FD152406	1	DDF15	DDF15	DRB15 X 21DP DT FD
FD182406	1	DDF18	DDF18	DRB18 X 21DP DT FD
FD212406	1	DDF21	DDF21	DRB21 X 21DP DT FD
FD242406	1	DDF24	DDF24	DRB24 X 21DP DT FD
FD272406	1	DDF27	DDF27	DRB27 X 21DP DT FD
FD302406	1	DDF30	DDF30	DRB30 X 21DP DT FD
FD332406	1	DDF33	DDF33	DRB33 X 21DP DT FD
FD362406	1	DDF36	DDF36	DRB36 X 21DP DT FD
FURNITURE DRAWERS • 12" DEEP • 12" HIGH				
FD121212	1	DDF12M	DDF12D	DRB12M X 9DP DT FD
FD151212	1	DDF15M	DDF15D	DRB15M X 9DP DT FD
FD181212	1	DDF18M	DDF18D	DRB18M X 9DP DT FD
FD211212	1	DDF21M	DDF21D	DRB21M X 9DP DT FD
FD241212	1	DDF24M	DDF24D	DRB24M X 9DP DT FD
FD271212	1	DDF27M	DDF27D	DRB27M X 9DP DT FD
FD301212	1	DDF30M	DDF30D	DRB30M X 9DP DT FD
FD331212	1	DDF33M	DDF33D	DRB33M X 9DP DT FD
FD361212	1	DDF36M	DDF36D	DRB36M X 9DP DT FD
FURNITURE DRAWERS • 24" DEEP • 12" HIGH				
FD122412	1	DDF12M	DDF12D	DRB12M X 21DP DT FD
FD152412	1	DDF15M	DDF15D	DRB15M X 21DP DT FD
FD182412	1	DDF18M	DDF18D	DRB18M X 21DP DT FD
FD212412	1	DDF21M	DDF21D	DRB21M X 21DP DT FD
FD242412	1	DDF24M	DDF24D	DRB24M X 21DP DT FD
FD272412	1	DDF27M	DDF27D	DRB27M X 21DP DT FD
FD302412	1	DDF30M	DDF30D	DRB30M X 21DP DT FD
FD332412	1	DDF33M	DDF33D	DRB33M X 21DP DT FD
FD362412	1	DDF36M	DDF36D	DRB36M X 21DP DT FD
PEDESTAL DRAWERS				
PD1217 1DWR	1	DDF12M	DDF12D	DRB12M X 21DP DT FD
PD1517 1DWR	1	DDF15M	DDF15D	DRB15M X 21DP DT FD
PD1817 1DWR	1	DDF18M	DDF18D	DRB18M X 21DP DT FD
PD2117 1DWR	1	DDF21M	DDF21D	DRB21M X 21DP DT FD
PD2417 1DWR	1	DDF24M	DDF24D	DRB24M X 21DP DT FD
PD2717 1DWR	1	DDF27M	DDF27D	DRB27M X 21DP DT FD
PD3017 1DWR	1	DDF30M	DDF30D	DRB30M X 21DP DT FD
PD3317 1DWR	1	DDF33M	DDF33D	DRB33M X 21DP DT FD
PD3617 1DWR	1	DDF36M	DDF36D	DRB36M X 21DP DT FD

PARTS DIRECTORY: Base Cabinets

PARTS: BASE CABINETS

SKU	Qty	DOOR	Qty	ADJUSTABLE SHELF/ACCESSORY	Qty	DRAWER/PANEL FRONT	Qty	DRAWER BODY
				*For All Plywood Construction Adjustable Shelf, refer to Parts Directory legend				
		Part Name		*Part Name		Part Name		Part Name
STANDARD BASE								
B12	1	DR1224	1	12" SHELF 24DP 3/4	1	DDF12	1	DRB12 X 21DP DT FD
B15	1	DR1524	1	15" SHELF 24DP 3/4	1	DDF15	1	DRB15 X 21DP DT FD
B18	1	DR1824	1	18" SHELF 24DP 3/4	1	DDF18	1	DRB18 X 21DP DT FD
B21	1	DR2124	1	21" SHELF 24DP 3/4	1	DDF21	1	DRB21 X 21DP DT FD
B24	1	DR2424	1	24" SHELF 24DP 3/4	1	DDF24	1	DRB24 X 21DP DT FD
B24 BUTT	2	DR1224 BUTT	1	24" SHELF 24DP 3/4	1	DDF24	1	DRB24 X 21DP DT FD
B27 BUTT	2	DR1324 BUTT	1	27" SHELF 24DP 3/4	1	DDF27	1	DRB27 X 21DP DT FD
B30 BUTT	2	DR1524 BUTT	1	30" SHELF 24DP 3/4	1	DDF30	1	DRB30 X 21DP DT FD
B33 BUTT	2	DR1624 BUTT	1	33" SHELF 24DP 3/4	1	DDF33	1	DRB33 X 21DP DT FD
B36 ITD BUTT	2	DR1824 BUTT	1	36" SHELF 24DP 3/4	1	DDF36	1	DRB36 X 21DP DT FD
B39	2	DR1924	1	39" SHELF 24DP 3/4	2	DDF19	2	DRB19 X 21DP DT FD
B42	2	DR2124	1	42" SHELF 24DP 3/4	2	DDF21	2	DRB21 X 21DP DT FD
B45	3	DR1524	1	45" SHELF 24DP 3/4	3	DDF15	3	DRB15 X 21DP DT FD
B48	2	DR2424	1	48" SHELF 24DP 3/4	2	DDF24	2	DRB24 X 21DP DT FD
BASE WITH ONE DEEP ROLL OUT TRAY AND ONE ADJUSTABLE SHELF								
B12 FWT	1	DR1224	1	12" SHELF 24DP 3/4 DROT12	1	DDF12	1	DRB12 X 21DP DT FD
B15 FWT	1	DR1524	1	15" SHELF 24DP 3/4 DROT15	1	DDF15	1	DRB15 X 21DP DT FD
B18 FWT	1	DR1824	1	18" SHELF 24DP 3/4 DROT18	1	DDF18	1	DRB18 X 21DP DT FD
B21 FWT	1	DR2124	1	21" SHELF 24DP 3/4 DROT21	1	DDF21	1	DRB21 X 21DP DT FD
B24 FWT	1	DR2424	1	24" SHELF 24DP 3/4 DROT24	1	DDF24	1	DRB24 X 21DP DT FD
B24 FWT BUTT	2	DR1224 BUTT	1	24" SHELF 24DP 3/4 DROT24	1	DDF24	1	DRB24 X 21DP DT FD
B27 FWT BUTT	2	DR1324 BUTT	1	27" SHELF 24DP 3/4 DROT27	1	DDF27	1	DRB27 X 21DP DT FD
B30 FWT BUTT	2	DR1524 BUTT	1	30" SHELF 24DP 3/4 DROT30	1	DDF30	1	DRB30 X 21DP DT FD
B33 FWT BUTT	2	DR1624 BUTT	1	33" SHELF 24DP 3/4 DROT33	1	DDF33	1	DRB33 X 21DP DT FD
B36 ITD FWT BUTT	2	DR1824 BUTT	1	36" SHELF 24DP 3/4 DROT36	1	DDF36	1	DRB36 X 21DP DT FD
BASE WITH TWO DEEP ROLL OUT TRAYS AND ONE ADJUSTABLE SHELF								
B39 2T	2	DR1924	1	39" SHELF 24DP 3/4 DROT19	2	DDF19	2	DRB19 X 21DP DT FD
B42 2T	2	DR2124	1	42" SHELF 24DP 3/4 DROT21	2	DDF21	2	DRB21 X 21DP DT FD
B48 2T	2	DR2424	1	48" SHELF 24DP 3/4 DROT24	2	DDF24	2	DRB24 X 21DP DT FD
BASE WITH THREE DEEP ROLL OUT TRAYS AND ONE ADJUSTABLE SHELF								
B45 3T	3	DR1524	1	45" SHELF 24DP 3/4 DROT15	3	DDF15	3	DRB15 X 21DP DT FD

PARTS DIRECTORY: Base Cabinets

SKU	Qty	DOOR	Qty	ADJUSTABLE SHELF/ACCESSORY	Qty	DRAWER/PANEL FRONT	Qty	DRAWER BODY
		Part Name		*Part Name		Part Name		Part Name
BASE WITH TWO DEEP ROLL OUT TRAYS								
B12 2FWT	1	DR1224	2	DROT12	1	DDF12	1	DRB12 X 21DP DT FD
B15 2FWT	1	DR1524	2	DROT15	1	DDF15	1	DRB15 X 21DP DT FD
B18 2FWT	1	DR1824	2	DROT18	1	DDF18	1	DRB18 X 21DP DT FD
B21 2FWT	1	DR2124	2	DROT21	1	DDF21	1	DRB21 X 21DP DT FD
B24 2FWT	1	DR2424	2	DROT24	1	DDF24	1	DRB24 X 21DP DT FD
B24 2FWT BUTT	2	DR1224 BUTT	2	DROT24	1	DDF24	1	DRB24 X 21DP DT FD
B27 2FWT BUTT	2	DR1324 BUTT	2	DROT27	1	DDF27	1	DRB27 X 21DP DT FD
B30 2FWT BUTT	2	DR1524 BUTT	2	DROT30	1	DDF30	1	DRB30 X 21DP DT FD
B33 2FWT BUTT	2	DR1624 BUTT	2	DROT33	1	DDF33	1	DRB33 X 21DP DT FD
B36 1TD 2FWT BUTT	2	DR1824 BUTT	2	DROT36	1	DDF36	1	DRB36 X 21DP DT FD
BASE WITH FOUR DEEP ROLL OUT TRAYS								
B39 4T	2	DR1924	4	DROT19	2	DDF19	2	DRB19 X 21DP DT FD
B42 4T	2	DR2124	4	DROT21	2	DDF21	2	DRB21 X 21DP DT FD
B48 4T	2	DR2424	4	DROT24	2	DDF24	2	DRB24 X 21DP DT FD
BASE WITH SIX DEEP ROLL OUT TRAYS								
B45 6T	3	DR1524	6	DROT15	3	DDF15	3	DRB15 X 21DP DT FD
BASE POT AND PAN ORGANIZER CABINET								
B24 BPPO	1	DR2424	1	BPPOK24	1	DDF24	1	DRB24 X 21DP DT FD
B24 BUTT BPPO	2	DR1224 BUTT	1	BPPOK24	1	DDF24	1	DRB24 X 21DP DT FD
B27 BUTT BPPO	2	DR1324 BUTT	1	BPPOK27	1	DDF27	1	DRB27 X 21DP DT FD
B30 BUTT BPPO	2	DR1524 BUTT	1	BPPOK30	1	DDF30	1	DRB30 X 21DP DT FD
B33 BUTT BPPO	2	DR1624 BUTT	1	BPPOK33	1	DDF33	1	DRB33 X 21DP DT FD
B36 1TD BUTT BPPO	2	DR1824 BUTT	1	BPPOK36	1	DDF36	1	DRB36 X 21DP DT FD
BASE WITH DOOR ACCESSORY								
B15 PBDSU	1	DR1524	1	15" SHELF 24DP 3/4	1	DDF15	1	DRB15 X 21DP DT FD
B18 PBDSU	1	DR1824	1	18" SHELF 24DP 3/4	1	DDF18	1	DRB18 X 21DP DT FD
B18 CBDR	1	DR1824	1	18" SHELF 24DP 3/4	1	DDF18	1	DRB18 X 21DP DT FD
BASE WITH ROLL OUT TRAY DIVIDER								
B12 ROTD	1	DR1224	1	ROTDK12	1	DDF12	1	DRB12 X 21DP DT FD
B15 ROTD	1	DR1524	1	ROTDK15	1	DDF15	1	DRB15 X 21DP DT FD
BASE WITH BOTTOM MOUNT WASTEBASKET(S)								
BWBB15	1	DR1524 ND	1	BWBB15 _OL KIT	1	DDF15	1	DRB15 X 21DP DT FD
BWBB15-2	1	DR1524 ND	1	BWBB15-2 _OL KIT	1	DDF15	1	DRB15 X 21DP DT FD
BWBB18-2	1	DR1824 ND	1	BWBB18-2 _OL KIT	1	DDF18	1	DRB18 X 21DP DT FD
BWBB21-2	1	DR2124 ND	1	BWBB21-2 _OL KIT	1	DDF21	1	DRB21 X 21DP DT FD
PENINSULA BASE								
PB12	2	DR1224	1	12" SHELF PB 3/4	2	DDF12	1	DRB12 X 21DP DT FD
PB18	2	DR1824	1	18" SHELF PB 3/4	2	DDF18	1	DRB18 X 21DP DT FD
PB24	2	DR2424	1	24" SHELF PB 3/4	2	DDF24	1	DRB24 X 21DP DT FD
PB24 BUTT	4	DR1224 BUTT	1	24" SHELF PB 3/4	2	DDF24	1	DRB24 X 21DP DT FD
PB30 BUTT	4	DR1524 BUTT	1	30" SHELF PB 3/4	2	DDF30	1	DRB30 X 21DP DT FD
PB36 1TD BUTT	4	DR1824 BUTT	1	36" SHELF PB 3/4	2	DDF36	1	DRB36 X 21DP DT FD
PB42	4	DR2124	1	42" SHELF PB 3/4	4	DDF21	2	DRB21 X 21DP DT FD

PARTS DIRECTORY: Base Cabinets

PARTS: BASE CABINETS

SKU	Qty	DOOR	Qty	ADJUSTABLE SHELF/ACCESSORY	Qty	DRAWER/PANEL FRONT	Qty	DRAWER BODY
		Part Name		*Part Name		Part Name		Part Name
STANDARD BASE WITH FACTORY INSTALLED CUTLERY DIVIDER								
B15 CD	1	DRI524	1	15" SHELF 24DP 3/4	1	DDF15	1	DRB15 X 21DP DT FD
B18 CD	1	DRI824	1	18" SHELF 24DP 3/4	1	DDF18	1	DRB18 X 21DP DT FD
B21 CD	1	DR2124	1	21" SHELF 24DP 3/4	1	DDF21	1	DRB21 X 21DP DT FD
B24 CD	1	DR2424	1	24" SHELF 24DP 3/4	1	DDF24	1	DRB24 X 21DP DT FD
B24 BUTT CD	2	DRI224 BUTT	1	24" SHELF 24DP 3/4	1	DDF24	1	DRB24 X 21DP DT FD
B30 BUTT CD	2	DRI524 BUTT	1	30" SHELF 24DP 3/4	1	DDF30	1	DRB30 X 21DP DT FD
B36 ITD BUTT CD	2	DRI824 BUTT	1	36" SHELF 24DP 3/4	1	DDF36	1	DRB36 X 21DP DT FD
BASE WITH ONE DEEP ROLL OUT TRAY AND FACTORY INSTALLED CUTLERY DIVIDER								
B15 FWT CD	1	DRI524	1	15" SHELF 24DP 3/4 DROT15	1	DDF15	1	DRB15 X 21DP DT FD
B18 FWT CD	1	DRI824	1	18" SHELF 24DP 3/4 DROT18	1	DDF18	1	DRB18 X 21DP DT FD
B21 FWT CD	1	DR2124	1	21" SHELF 24DP 3/4 DROT21	1	DDF21	1	DRB21 X 21DP DT FD
B24 FWT CD	1	DR2424	1	24" SHELF 24DP 3/4 DROT24	1	DDF24	1	DRB24 X 21DP DT FD
B24 FWT BUTT CD	2	DRI224 BUTT	1	24" SHELF 24DP 3/4 DROT24	1	DDF24	1	DRB24 X 21DP DT FD
B30 FWT BUTT CD	2	DRI524 BUTT	1	30" SHELF 24DP 3/4 DROT30	1	DDF30	1	DRB30 X 21DP DT FD
B36 FWT BUTT CD	2	DRI824 BUTT	1	36" SHELF 24DP 3/4 DROT36	1	DDF36	1	DRB36 X 21DP DT FD
BASE WITH TWO DEEP ROLL OUT TRAYS AND FACTORY INSTALLED CUTLERY DIVIDER								
B15 2FWT CD	1	DRI524	2	DROT15	1	DDF15	1	DRB15 X 21DP DT FD
B18 2FWT CD	1	DRI824	2	DROT18	1	DDF18	1	DRB18 X 21DP DT FD
B21 2FWT CD	1	DR2124	2	DROT21	1	DDF21	1	DRB21 X 21DP DT FD
B24 2FWT CD	1	DR2424	2	DROT24	1	DDF24	1	DRB24 X 21DP DT FD
B24 2FWT BUTT CD	2	DRI224 BUTT	2	DROT24	1	DDF24	1	DRB24 X 21DP DT FD
B30 2FWT BUTT CD	2	DRI524 BUTT	1	DROT30	1	DDF30	1	DRB30 X 21DP DT FD
B36 ITD 2FWT BUTT CD	2	DRI824 BUTT	1	DROT36	1	DDF36	1	DRB36 X 21DP DT FD
STANDARD BASE WITH FACTORY INSTALLED SPICE DRAWER INSERT								
B15 SDI	1	DRI524	1	15" SHELF 24DP 3/4	1	DDF15	1	DRB15 X 21DP DT FD
B18 SDI	1	DRI824	1	18" SHELF 24DP 3/4	1	DDF18	1	DRB18 X 21DP DT FD
B21 SDI	1	DR2124	1	21" SHELF 24DP 3/4	1	DDF21	1	DRB21 X 21DP DT FD
B24 SDI	1	DR2424	1	24" SHELF 24DP 3/4	1	DDF24	1	DRB24 X 21DP DT FD
B24 BUTT SDI	2	DRI224 BUTT	1	24" SHELF 24DP 3/4	1	DDF24	1	DRB24 X 21DP DT FD
BASE WITH ONE DEEP ROLL OUT TRAY AND FACTORY INSTALLED SPICE DRAWER INSERT								
B15 FWT SDI	1	DRI524	1	15" SHELF 24DP 3/4 DROT15	1	DDF15	1	DRB15 X 21DP DT FD
B18 FWT SDI	1	DRI824	1	18" SHELF 24DP 3/4 DROT18	1	DDF18	1	DRB18 X 21DP DT FD
B21 FWT SDI	1	DR2124	1	21" SHELF 24DP 3/4 DROT21	1	DDF21	1	DRB21 X 21DP DT FD
B24 FWT SDI	1	DR2424	1	24" SHELF 24DP 3/4 DROT24	1	DDF24	1	DRB24 X 21DP DT FD
B24 FWT BUTT SDI	2	DRI224 BUTT	1	24" SHELF 24DP 3/4 DROT24	1	DDF24	1	DRB24 X 21DP DT FD

PARTS DIRECTORY: Base Cabinets

SKU	Qty	DOOR	Qty	ADJUSTABLE SHELF/ACCESSORY	Qty	DRAWER/PANEL FRONT	Qty	DRAWER BODY
		Part Name		*Part Name		Part Name		Part Name
BASE WITH TWO DEEP ROLL OUT TRAYS AND FACTORY INSTALLED SPICE DRAWER INSERT								
B15 2FWT SDI	1	DRI524	2	DROT15	1	DDF15	1	DRB15 X 21DP DT FD
B18 2FWT SDI	1	DRI824	2	DROT18	1	DDF18	1	DRB18 X 21DP DT FD
B21 2FWT SDI	1	DR2124	2	DROT21	1	DDF21	1	DRB21 X 21DP DT FD
B24 2FWT SDI	1	DR2424	2	DROT24	1	DDF24	1	DRB24 X 21DP DT FD
B24 2FWT BUTT SDI	2	DRI224 BUTT	2	DROT24	1	DDF24	1	DRB24 X 21DP DT FD
STANDARD BASE WITH FACTORY INSTALLED WOOD TIERED CUTLERY DIVIDER								
B15 WTCD	1	DRI524	1	15" SHELF 24DP 3/4	1	DDF15	1	WTCDFD15
B18 WTCD	1	DRI824	1	18" SHELF 24DP 3/4	1	DDF18	1	WTCDFD18
B21 WTCD	1	DR2124	1	21" SHELF 24DP 3/4	1	DDF21	1	WTCDFD21
B24 WTCD	1	DR2424	1	24" SHELF 24DP 3/4	1	DDF24	1	WTCDFD24
B24 BUTT WTCD	2	DRI224 BUTT	1	24" SHELF 24DP 3/4	1	DDF24	1	WTCDFD24
B30 BUTT WTCD	2	DRI524 BUTT	1	30" SHELF 24DP 3/4	1	DDF30	1	WTCDFD30
B36 1TD BUTT WTCD	2	DRI824 BUTT	1	36" SHELF 24DP 3/4	1	DDF36	1	WTCDFD36
BASE WITH ONE DEEP ROLL OUT TRAY AND FACTORY INSTALLED WOOD TIERED CUTLERY DIVIDER								
B15 FWT WTCD	1	DRI524	1	15" SHELF 24DP 3/4 DROT15	1	DDF15	1	WTCDFD15
B18 FWT WTCD	1	DRI824	1	18" SHELF 24DP 3/4 DROT18	1	DDF18	1	WTCDFD18
B21 FWT WTCD	1	DR2124	1	21" SHELF 24DP 3/4 DROT21	1	DDF21	1	WTCDFD21
B24 FWT WTCD	1	DR2424	1	24" SHELF 24DP 3/4 DROT24	1	DDF24	1	WTCDFD24
B24 FWT BUTT WTCD	2	DRI224 BUTT	1	24" SHELF 24DP 3/4 DROT24	1	DDF24	1	WTCDFD24
B30 FWT BUTT WTCD	2	DRI524 BUTT	1	30" SHELF 24DP 3/4 DROT30	1	DDF30	1	WTCDFD30
B36 FWT BUTT WTCD	2	DRI824 BUTT	1	36" SHELF 24DP 3/4 DROT36	1	DDF36	1	WTCDFD36
BASE WITH TWO DEEP ROLL OUT TRAYS AND FACTORY INSTALLED WOOD TIERED CUTLERY DIVIDER								
B15 2FWT WTCD	1	DRI524	2	DROT15	1	DDF15	1	WTCDFD15
B18 2FWT WTCD	1	DRI824	2	DROT18	1	DDF18	1	WTCDFD18
B21 2FWT WTCD	1	DR2124	2	DROT21	1	DDF21	1	WTCDFD21
B24 2FWT WTCD	1	DR2424	2	DROT24	1	DDF24	1	WTCDFD24
B24 2FWT BUTT WTCD	2	DRI224 BUTT	2	DROT24	1	DDF24	1	WTCDFD24
B30 2FWT BUTT WTCD	2	DRI524 BUTT	1	DROT30	1	DDF30	1	WTCDFD30
B36 1TD 2FWT BUTT WTCD	2	DRI824 BUTT	1	DROT36	1	DDF36	1	WTCDFD36
BLIND CORNER								
BLB36/39	1	DRI224	1	27" SHELF 24DP 3/4	1	DDF12	1	DRB12 X 21DP DT FD
BLB39/42	1	DRI524	1	33" SHELF 24DP 3/4	1	DDF15	1	DRB15 X 21DP DT FD
BLB42/45	1	DRI824	1	39" SHELF 24DP 3/4	1	DDF18	1	DRB18 X 21DP DT FD
BLB45/48	1	DR2124	1	45" SHELF 24DP 3/4	1	DDF21	1	DRB21 X 21DP DT FD
BLB48/51	1	DR2124	1	48" SHELF 24DP 3/4	1	DDF21	1	DRB21 X 21DP DT FD
BLIND PENINSULA CORNER								
PBC24	1	DR2424	1	24" SHELF PB 3/4	1	DDF24	1	DRB24 X 21DP DT FD
PBC24 BUTT	2	DRI224 BUTT	1	24" SHELF PB 3/4	1	DDF24	1	DRB24 X 21DP DT FD

PARTS DIRECTORY: Drawer Base Cabinets

PARTS: BASE CABINETS

SKU	Qty	DRAWER FRONT		DRAWER BODY
		Full Overlay	Partial Overlay	
		Part Name	Part Name	Part Name
TWO DRAWER BASE CABINET				
DB21 2DWR	2	DDF21 2DB	DDF21 2DB	DRB21 HD X 21DPDTFD
DB24 2DWR	2	DDF24 2DB	DDF24 2DB	DRB24 HD X 21DPDTFD
DB27 2DWR	2	DDF27 2DB	DDF27 2DB	DRB27 HD X 21DPDTFD
DB30 2DWR	2	DDF30 2DB	DDF30 2DB	DRB30 HD X 21DPDTFD
DB33 2DWR	2	DDF33 2DB	DDF33 2DB	DRB33 HD X 21DPDTFD
DB36 2DWR	2	DDF36 2DB	DDF36 2DB	DRB36 HD X 21DPDTFD
TWO DRAWER BASE CABINET WITH PEG DISH ORGANIZER				
DB21 2DWR PDO	2	DDF21 2DB	DDF21 2DB	DRB21 HD X 21DPDTFD
DB24 2DWR PDO	2	DDF24 2DB	DDF24 2DB	DRB24 HD X 21DPDTFD
DB27 2DWR PDO	2	DDF27 2DB	DDF27 2DB	DRB27 HD X 21DPDTFD
DB30 2DWR PDO	2	DDF30 2DB	DDF30 2DB	DRB30 HD X 21DPDTFD
DB33 2DWR PDO	2	DDF33 2DB	DDF33 2DB	DRB33 HD X 21DPDTFD
DB36 2DWR PDO	2	DDF36 2DB	DDF36 2DB	DRB36 HD X 21DPDTFD
TWO DRAWER BASE CABINET WITH SCALLOPED FULL WIDTH TRAY				
DB21 2DWR SFWT	2	DDF21 2DB	DDF21 2DB	DRB21 HD X 21DPDTFD
	1	-	-	SDROT21
DB24 2DWR SFWT	2	DDF24 2DB	DDF24 2DB	DRB24 HD X 21DPDTFD
	1	-	-	SDROT24
DB27 2DWR SFWT	2	DDF27 2DB	DDF27 2DB	DRB27 HD X 21DPDTFD
	1	-	-	SDROT27
DB30 2DWR SFWT	2	DDF30 2DB	DDF30 2DB	DRB30 HD X 21DPDTFD
	1	-	-	SDROT30
DB33 2DWR SFWT	2	DDF33 2DB	DDF33 2DB	DRB33 HD X 21DPDTFD
	1	-	-	SDROT33
DB36 2DWR SFWT	2	DDF36 2DB	DDF36 2DB	DRB36 HD X 21DPDTFD
	1	-	-	SDROT36
TWO DRAWER BASE CABINET WITH PEG DISH ORGANIZER & SCALLOPED FULL WIDTH TRAY				
DB21 2DWR SFWT PDO	2	DDF21 2DB	DDF21 2DB	DRB21 HD X 21DPDTFD
	1	-	-	SDROT21
DB24 2DWR SFWT PDO	2	DDF24 2DB	DDF24 2DB	DRB24 HD X 21DPDTFD
	1	-	-	SDROT24
DB27 2DWR SFWT PDO	2	DDF27 2DB	DDF27 2DB	DRB27 HD X 21DPDTFD
	1	-	-	SDROT27
DB30 2DWR SFWT PDO	2	DDF30 2DB	DDF30 2DB	DRB30 HD X 21DPDTFD
	1	-	-	SDROT30
DB33 2DWR SFWT PDO	2	DDF33 2DB	DDF33 2DB	DRB33 HD X 21DPDTFD
	1	-	-	SDROT33
DB36 2DWR SFWT PDO	2	DDF36 2DB	DDF36 2DB	DRB36 HD X 21DPDTFD
	1	-	-	SDROT36

PARTS DIRECTORY: Drawer Base Cabinets

SKU	Qty	DRAWER FRONT		DRAWER BODY
		Full Overlay	Partial Overlay	
		Part Name	Part Name	Part Name
THREE DRAWER BASE CABINET				
DB12	1	DDF12	DDF12	DRB12 X 21DP DT FD
	2	DDF12M	DDF12D	DRB12M X 21DP DT FD
DB15	1	DDF15	DDF15	DRB15 X 21DP DT FD
	2	DDF15M	DDF15D	DRB15M X 21DP DT FD
DB18	1	DDF18	DDF18	DRB18 X 21DP DT FD
	2	DDF18M	DDF18D	DRB18M X 21DP DT FD
DB21	1	DDF21	DDF21	DRB21 X 21DP DT FD
	2	DDF21M	DDF21D	DRB21M X 21DP DT FD
DB24	1	DDF24	DDF24	DRB24 X 21DP DT FD
	2	DDF24M	DDF24D	DRB24M X 21DP DT FD
DB27	1	DDF27	DDF27	DRB27 X 21DP DT FD
	2	DDF27M	DDF27D	DRB27M X 21DP DT FD
DB30	1	DDF30	DDF30	DRB30 X 21DP DT FD
	2	DDF30M	DDF30D	DRB30M X 21DP DT FD
DB33	1	DDF33	DDF33	DRB33 X 21DP DT FD
	2	DDF33M	DDF33D	DRB33M X 21DP DT FD
DB36 ITD	1	DDF36	DDF36	DRB36 X 21DP DT FD
	2	DDF36M	DDF36D	DRB36M X 21DP DT FD
THREE DRAWER BASE CABINET WITH FACTORY INSTALLED CUTLERY DIVIDER				
DB15 CD	1	DDF15	DDF15	DRB15 X 21DP DT FD
	2	DDF15M	DDF15D	DRB15M X 21DP DT FD
DB18 CD	1	DDF18	DDF18	DRB18 X 21DP DT FD
	2	DDF18M	DDF18D	DRB18M X 21DP DT FD
DB21 CD	1	DDF21	DDF21	DRB21 X 21DP DT FD
	2	DDF21M	DDF21D	DRB21M X 21DP DT FD
DB24 CD	1	DDF24	DDF24	DRB24 X 21DP DT FD
	2	DDF24M	DDF24D	DRB24M X 21DP DT FD
DB30 CD	1	DDF30	DDF30	DRB30 X 21DP DT FD
	2	DDF30M	DDF30D	DRB30M X 21DP DT FD
DB36 ITD CD	1	DDF36	DDF36	DRB36 X 21DP DT FD
	2	DDF36M	DDF36D	DRB36M X 21DP DT FD
THREE DRAWER BASE CABINET WITH FACTORY INSTALLED SPICE DRAWER INSERT				
DB15 SDI	1	DDF15	DDF15	DRB15 X 21DP DT FD
	2	DDF15M	DDF15D	DRB15M X 21DP DT FD
DB18 SDI	1	DDF18	DDF18	DRB18 X 21DP DT FD
	2	DDF18M	DDF18D	DRB18M X 21DP DT FD
DB21 SDI	1	DDF21	DDF21	DRB21 X 21DP DT FD
	2	DDF21M	DDF21D	DRB21M X 21DP DT FD
DB24 SDI	1	DDF24	DDF24	DRB24 X 21DP DT FD
	2	DDF24M	DDF24D	DRB24M X 21DP DT FD
THREE DRAWER BASE CABINET WITH FACTORY INSTALLED WOOD TIERED CUTLERY DIVIDER				
DB15 WTCD	1	DDF15	DDF15	WTCDKFD15
	2	DDF15M	DDF15D	DRB15M X 21DP DT FD
DB18 WTCD	1	DDF18	DDF18	WTCDKFD18
	2	DDF18M	DDF18D	DRB18M X 21DP DT FD
DB21 WTCD	1	DDF21	DDF21	WTCDKFD21
	2	DDF21M	DDF21D	DRB21M X 21DP DT FD
DB24 WTCD	1	DDF24	DDF24	WTCDKFD24
	2	DDF24M	DDF24D	DRB24M X 21DP DT FD
DB30 WTCD	1	DDF30	DDF30	WTCDKFD30
	2	DDF30M	DDF30D	DRB30M X 21DP DT FD
DB36 ITD WTCD	1	DDF36	DDF36	WTCDKFD36
	2	DDF36M	DDF36D	DRB36M X 21DP DT FD

PARTS DIRECTORY: Drawer Base Cabinets

PARTS: BASE CABINETS

SKU	Qty	DRAWER FRONT		DRAWER BODY
		Full Overlay	Partial Overlay	
		Part Name	Part Name	Part Name
FOUR DRAWER BASE CABINET				
DB12 4DWR	3	DDF12	DDF12	DRB12 X 21DP DT FD
	1	DDF12M	DDF12D	DRB12M X 21DP DT FD
DB15 4DWR	3	DDF15	DDF15	DRB15 X 21DP DT FD
	1	DDF15M	DDF15D	DRB15M X 21DP DT FD
DB18 4DWR	3	DDF18	DDF18	DRB18 X 21DP DT FD
	1	DDF18M	DDF18D	DRB18M X 21DP DT FD
DB21 4DWR	3	DDF21	DDF21	DRB21 X 21DP DT FD
	1	DDF21M	DDF21D	DRB21M X 21DP DT FD
DB24 4DWR	3	DDF24	DDF24	DRB24 X 21DP DT FD
	1	DDF24M	DDF24D	DRB24M X 21DP DT FD
FOUR DRAWER BASE CABINET WITH FACTORY INSTALLED CUTLERY DIVIDER				
DB15 4DWR CD	3	DDF15	DDF15	DRB15 X 21DP DT FD
	1	DDF15M	DDF15D	DRB15M X 21DP DT FD
DB18 4DWR CD	3	DDF18	DDF18	DRB18 X 21DP DT FD
	1	DDF18M	DDF18D	DRB18M X 21DP DT FD
DB21 4DWR CD	3	DDF21	DDF21	DRB21 X 21DP DT FD
	1	DDF21M	DDF21D	DRB21M X 21DP DT FD
DB24 4DWR CD	3	DDF24	DDF24	DRB24 X 21DP DT FD
	1	DDF24M	DDF24D	DRB24M X 21DP DT FD
FOUR DRAWER BASE CABINET WITH FACTORY INSTALLED SPICE DRAWER INSERT				
DB15 4DWR SDI	3	DDF15	DDF15	DRB15 X 21DP DT FD
	1	DDF15M	DDF15D	DRB15M X 21DP DT FD
DB18 4DWR SDI	3	DDF18	DDF18	DRB18 X 21DP DT FD
	1	DDF18M	DDF18D	DRB18M X 21DP DT FD
DB21 4DWR SDI	3	DDF21	DDF21	DRB21 X 21DP DT FD
	1	DDF21M	DDF21D	DRB21M X 21DP DT FD
DB24 4DWR SDI	3	DDF24	DDF24	DRB24 X 21DP DT FD
	1	DDF24M	DDF24D	DRB24M X 21DP DT FD
FOUR DRAWER BASE CABINET WITH FACTORY INSTALLED WOOD TIERED CUTLERY DIVIDER				
DB15 4DWR WTCD	1	DDF15	DDF15	WTCDFD15
	2	DDF15	DDF15	DRB15 X 21DP DT FD
	1	DDF15M	DDF15D	DRB15M X 21DP DT FD
DB18 4DWR WTCD	1	DDF18	DDF18	WTCDFD18
	2	DDF18	DDF18	DRB18 X 21DP DT FD
	1	DDF18M	DDF18D	DRB18M X 21DP DT FD
DB21 4DWR WTCD	1	DDF21	DDF21	WTCDFD21
	2	DDF21	DDF21	DRB21 X 21DP DT FD
	1	DDF21M	DDF21D	DRB21M X 21DP DT FD
DB24 4DWR WTCD	1	DDF24	DDF24	WTCDFD24
	2	DDF24	DDF24	DRB24 X 21DP DT FD
	1	DDF24M	DDF24D	DRB24M X 21DP DT FD
BASE MICROWAVE CABINET				
BMC24	2	DDF24	DDF24	DRB24 X 21DP DT FD
BMC27	2	DDF27	DDF27	DRB27 X 21DP DT FD
BMC30	2	DDF30	DDF30	DRB30 X 21DP DT FD
BASE SPICE DRAWER CABINET				
BSDC6	5	DDF SDC	DDF SDC	DRB6 BSDC6
WALL SPICE DRAWER CABINET				
SDC18	3	DDF SDC	DDF SDC	DRB6 SDC30
SDC24	4	DDF SDC	DDF SDC	DRB6 SDC30
SDC30	5	DDF SDC	DDF SDC	DRB6 SDC30
SDC36	6	DDF SDC	DDF SDC	DRB6 SDC30

PARTS DIRECTORY: Full-Height Base Cabinets

SKU	Qty	DOOR		Qty	ADJUSTABLE SHELF, DROT AND/OR ACCESSORY
		Full Overlay	Partial Overlay		*For All Plywood Construction Adjustable Shelf, refer to Parts Directory legend
		Part Name	Part Name		*Part Name
FULL-HEIGHT BASE					
TB9	1	DR9FH	DR930	-	-
B12 FH	1	DR12FH	DR1230	1	12" SHELF 24DP 3/4
B15 FH	1	DR15FH	DR1530	1	15" SHELF 24DP 3/4
B18 FH	1	DR18FH	DR1830	1	18" SHELF 24DP 3/4
B21 FH	1	DR21FH	DR2130	1	21" SHELF 24DP 3/4
B24 FH	1	DR24FH	DR2430	1	24" SHELF 24DP 3/4
B24 BUTT FH	2	DR12BUTT FH	DR1230 BUTT	1	24" SHELF 24DP 3/4
B27 BUTT FH	2	DR13BUTT FH	DR1330 BUTT	1	27" SHELF 24DP 3/4
B30 BUTT FH	2	DR15BUTT FH	DR1530 BUTT	1	30" SHELF 24DP 3/4
B33 BUTT FH	2	DR16BUTT FH	DR1630 BUTT	1	33" SHELF 24DP 3/4
B36 BUTT FH	2	DR18BUTT FH	DR1830 BUTT	1	36" SHELF 24DP 3/4
FULL-HEIGHT BASE WITH ACCESSORY					
TB9 TDS	1	DR9FH	DR930	1	9" SHELF 24 DP 3/4
BTDP9	1	DR9FH ND	DR930 ND	1	BTDP9 KIT
BPP9	1	DR9FH ND	DR930 ND	1	BPP9 KIT
BPP12	1	DR12FH ND	DR1230 ND	1	BPP12 KIT
BPPUS9	1	DR9FH ND	DR930 ND	1	BPPUS9 KIT
BPPUS12	1	DR12FH ND	DR1230 ND	1	BPPUS12 KIT
FULL-HEIGHT BASE WITH TWO DEEP ROLL OUT TRAYS					
B12 FH 2FWT	1	DR12FH	DR1230	2	DROT12
B15 FH 2FWT	1	DR15FH	DR1530	2	DROT15
B18 FH 2FWT	1	DR18FH	DR1830	2	DROT18
B21 FH 2FWT	1	DR21FH	DR2130	2	DROT21
B24 FH 2FWT	1	DR24FH	DR2430	2	DROT24
B24 BUTT FH 2FWT	2	DR12BUTT FH	DR1230 BUTT	2	DROT24
B27 BUTT FH 2FWT	2	DR13BUTT FH	DR1330 BUTT	2	DROT27
B30 BUTT FH 2FWT	2	DR15BUTT FH	DR1530 BUTT	2	DROT30
B33 BUTT FH 2FWT	2	DR16BUTT FH	DR1630 BUTT	2	DROT33
B36 BUTT FH 2FWT	2	DR18BUTT FH	DR1830 BUTT	2	DROT36
FULL-HEIGHT BASE WITH FOUR DEEP ROLL OUT TRAYS					
B12 FH 4FWT	1	DR12FH	DR1230	4	DROT12
B15 FH 4FWT	1	DR15FH	DR1530	4	DROT15
B18 FH 4FWT	1	DR18FH	DR1830	4	DROT18
B21 FH 4FWT	1	DR21FH	DR2130	4	DROT21
B24 FH 4FWT	1	DR24FH	DR2430	4	DROT24
B24 BUTT FH 4FWT	2	DR12BUTT FH	DR1230 BUTT	4	DROT24
B27 BUTT FH 4FWT	2	DR13BUTT FH	DR1330 BUTT	4	DROT27
B30 BUTT FH 4FWT	2	DR15BUTT FH	DR1530 BUTT	4	DROT30
B33 BUTT FH 4FWT	2	DR16BUTT FH	DR1630 BUTT	4	DROT33
B36 BUTT FH 4FWT	2	DR18BUTT FH	DR1830 BUTT	4	DROT36
FULL-HEIGHT BASE MIXER LIFT					
B18 FH MLK	1	DR21FH	DR2130	1	BMLK18
FULL-HEIGHT BLIND BASE					
BLB45/48 FH	1	DR21FH	DR2130	1	45" SHELF 24DP 3/4
BLB48/51 FH	1	DR21FH	DR2130	1	48" SHELF 24DP 3/4
FULL-HEIGHT BLIND BASE - PULL OUT KIT					
BLB45/48 FH POK	1	DR21FH	DR2130	1	BLBPOK45
BLB48/51 FH POK	1	DR21FH	DR2130	1	BLBPOK45
FULL-HEIGHT BLIND BASE - SWING OUT KIT					
BLB45/48 FH SOKL	1	DR21FH	DR2130	1	BLBSOK45L
BLB45/48 FH SOKR	1	DR21FH	DR2130	1	BLBSOK45R
BLB48/51 FH SOKL	1	DR21FH	DR2130	1	BLBSOK45L
BLB48/51 FH SOKR	1	DR21FH	DR2130	1	BLBSOK45R

PARTS DIRECTORY: Full-Height Base Cabinets

SKU	Qty	DOOR		Qty	ADJUSTABLE SHELF, DROT AND/OR ACCESSORY
		Full Overlay	Partial Overlay		*For All Plywood Construction Adjustable Shelf, refer to Parts Directory legend
		Part Name	Part Name		*Part Name
FULL-HEIGHT BASE WITH BOTTOM MOUNT WASTEBASKET(S)					
BWBB15 FH	1	DR15FH ND	DR1530 ND	1	BWBB15 FH _OL KIT
BWBB18 FH	1	DR18FH ND	DR1830 ND	1	BWBB18 FH _OL KIT
BWBB21-2 FH	1	DR21FH ND	DR2130 ND	1	BWBB21-2 FH _OL KIT
BASE END ANGLE					
BEA12 FH	1	DR15FH	DR1530	1	BEA12 SHELF 3/4
BEA24 FH	2	DR18FH	DR1830	1	BEA SHELF 3/4
FULL-HEIGHT PENINSULA BASE					
PB12 FH	2	DR12FH	DR1230	1	12" SHELF PB 3/4
PB18 FH	2	DR18FH	DR1830	1	18" SHELF PB 3/4
PB24 BUTT FH	4	DR12BUTT FH	DR1230 BUTT	1	24" SHELF PB 3/4
PB30 BUTT FH	4	DR15BUTT FH	DR1530 BUTT	1	30" SHELF PB 3/4
PB36 BUTT FH	4	DR18BUTT FH	DR1830 BUTT	1	36" SHELF PB 3/4

PARTS: BASE CABINETS

PARTS DIRECTORY: Sink Base Cabinets

SKU	Qty	DOOR		ACCESSORY	
		Part Name	Qty	Part Name	Qty
CORNER SINK BASE					
CSB36	1	DR1524	1	DDF15	
CORNER SINK FRONT					
CSF36	1	DR1524	1	DDF15	
CSF42	1	DR2424	1	DDF24	
DEEP SINK BASE					
DSB30 BUTT	2	DR1521V BUTT	-	-	
DSB33 BUTT	2	DR1621V BUTT	-	-	
DSB36 BUTT	2	DR1821V BUTT	-	-	
DSB39	2	DR1921V	-	-	
SINK/COOKTOP BASE AND FRONT					
SF12	1	DR1224	1	DDF12	
SF15	1	DR1524	1	DDF15	
SB18 / SF18	1	DR1824	1	DDF18	
SB21 / SF21	1	DR2124	1	DDF21	
SB24 / SF24	1	DR2424	1	DDF24	
SB24 BUTT / SF24 BUTT	2	DR1224 BUTT	1	DDF24	
SB27 BUTT / SF27 BUTT	2	DR1324 BUTT	1	DDF27	
SB30 BUTT / SF30 BUTT	2	DR1524 BUTT	1	DDF30	
SB33 BUTT / SF33 BUTT	2	DR1624 BUTT	1	DDF33	
SB36 BUTT / SF36 BUTT	2	DR1824 BUTT	1	DDF36	
SB39 / SF39	2	DR1924	2	DDF19	
SB42 / SF42	2	DR2124	2	DDF21	
SB45 / SF45	3	DR1524	3	DDF15	
SB48 / SF48	2	DR2424	2	DDF24	
SINK BASE WITH FACTORY INSTALLED TILT-OUT TRAY(S)					
SB18 STO (TO)	1	DR1824	1	DDF18 DRILL	
SB21 STO (TO)	1	DR2124	1	DDF21 DRILL	
SB24 STO (TO)	1	DR2424	1	DDF24 DRILL	
SB24 BUTT STO (TO)	2	DR1224 BUTT	1	DDF24 DRILL	
SB27 BUTT STO (TO)	2	DR1324 BUTT	1	DDF27 DRILL	
SB30 BUTT STO (TO)	2	DR1524 BUTT	1	DDF30 DRILL	
SB33 BUTT STO (TO)	2	DR1624 BUTT	1	DDF33 DRILL	
SB36 BUTT STO (TO)	2	DR1824 BUTT	1	DDF36 DRILL	
SB39 STO (TO)	2	DR1924	2	DDF19 DRILL	
SB42 STO (TO)	2	DR2124	2	DDF21 DRILL	
SB48 STO (TO)	2	DR2424	2	DDF24 DRILL	
SINK BASE MULTI-STORAGE CABINET					
SBMS30 BUTT STO	2	DR1524 BUTT	1	DDF30 DRILL	
SBMS36 BUTT STO	2	DR1824 BUTT	1	DDF36 DRILL	
BASE PLUMBING SKIRT					
BPS30 UD	-	N/A	1	DDFKDC33/27	
BPS36 UD	-	N/A	1	DDFKDC36/33	
BPS3034 UD	-	N/A	1	DDFKDC33/27	
BPS3634 UD	-	N/A	1	DDFKDC36/33	
ADAPTABLE SINK BASE KIT					
ASB3032 KIT	2	DR1521 BUTT	-	N/A	
ASB3632 KIT	2	DR1821 BUTT	-	N/A	
ASB3034 KIT	2	DR1524 BUTT	-	N/A	
ASB3634 KIT	2	DR1824 BUTT	-	N/A	

PARTS DIRECTORY: Corner Base Cabinets

SKU	Qty	DOOR		ACCESSORY	
		Part Name	Qty	Part Name	Qty
CORNER BASE					
BER33 (L/R)	1	DR930 BER DRILL	-	-	-
	1	DR930 BER ND	-	-	-
BER3336L	1	DR930 BER DRILL	-	-	-
	1	DR1230 BER ND	-	-	-
BER3336R	1	DR930 BER ND	-	-	-
	1	DR1230 BER DRILL	-	-	-
BER36 (L/R)	1	DR1230 BER DRILL	-	-	-
	1	DR1230 BER ND	-	-	-
BER3633L	1	DR1230 BER DRILL	-	-	-
	1	DR930 BER ND	-	-	-
BER3633R	1	DR1230 BER ND	-	-	-
	1	DR930 BER DRILL	-	-	-
BSS33 (L/R)	1	DR930 BER DRILL	1	BSS33 UNIT RAS	-
	1	DR930 BER ND	-	-	-
BSS33 (L/R) WD	1	DR930 BER DRILL	2	BSS33 SHELF WD NP	-
	1	DR930 BER ND	-	-	-
BSS3336L	1	DR930 BER DRILL	1	BSS33 UNIT RAS	-
	1	DR1230 BER ND	-	-	-
BSS3336L WD	1	DR930 BER DRILL	2	BSS3336 SHELF WD NP	-
	1	DR1230 BER ND	-	-	-
BSS3336R	1	DR930 BER ND	1	BSS33 UNIT RAS	-
	1	DR1230 BER DRILL	-	-	-
BSS3336R WD	1	DR930 BER ND	2	BSS3336 SHELF WD NP	-
	1	DR1230 BER DRILL	-	-	-
BSS36 (L/R)	1	DR1230 BER DRILL	1	BSS36 UNIT RAS	-
	1	DR1230 BER ND	-	-	-
BSS36 (L/R) WD	1	DR1230 BER DRILL	2	BSS36 SHELF WD NP	-
	1	DR1230 BER ND	-	-	-
BSS3633L	1	DR1230 BER DRILL	1	BSS33 UNIT RAS	-
	1	DR930 BER ND	-	-	-
BSS3633L WD	1	DR1230 BER DRILL	2	BSS3633 SHELF WD NP	-
	1	DR930 BER ND	-	-	-
BSS3633R	1	DR1230 BER ND	1	BSS33 UNIT RAS	-
	1	DR930 BER DRILL	-	-	-
BSS3633R WD	1	DR1230 BER ND	2	BSS3633 SHELF WD NP	-
	1	DR930 BER DRILL	-	-	-
CAR36 (L/R)	1	DR1230 BER DRILL	1	CAR36 UNIT RAS	-
	1	DR1230 BER ND	-	-	-
CAR36 (L/R) WD	1	DR1230 BER DRILL	2	CAR36 SHELF WD	-
	1	DR1230 BER ND	1	BSSCWSCAR T-SHAFT FE	-
			1	WOOD SPIN SHELF HDW	-
CBS36	1	DRCBS36	1	CBS36 UNIT RAS	-
CBS36 WD	1	DRCBS36	2	CBS SHELF WD NP	-

PARTS: BASE CABINETS

PARTS DIRECTORY: Utility Cabinets

SKU	Qty	DOOR	SPECIALTY DOOR	DECORATIVE GLASS	Qty	ADJUSTABLE SHELF OR DROT
			Specialty doors require a specialty door selection			*For All Plywood Construction or Matching Interior Adjustable Shelf, upgrade through construction options
		Part Name	Part Name	Part Name		*Part Name
UTILITY WITH ADJUSTABLE SHELVES - 12" DEEP X 84" HIGH						
UT1212 X 84 AS	1	DR1230	DR1230 SD	DGI-1230	5	S1212
	1	DR1250				
UT1512 X 84 AS	1	DR1530	DR1530 SD	DGI-1530	5	S1512
	1	DR1550				
UT1812 X 84 AS	1	DR1830	DR1830 SD	DGI-1830	5	S1812
	1	DR1850				
UT2112 X 84 AS	1	DR2130	DR2130 SD	DGI-2130	5	S2112
	1	DR2150				
UT2412 X 84 AS BUTT	2	DR1230 BUTT	DR1230 BUTT SD	DGI-1230 BUTT	5	S2412
	2	DR1250 BUTT				
UTILITY WITH ADJUSTABLE SHELVES - 12" DEEP X 90" HIGH						
UT1212 X 90 AS	1	DR1236	DR1236 SD	DGI-1236	6	S1212
	1	DR1250				
UT1512 X 90 AS	1	DR1536	DR1536 SD	DGI-1536	6	S1512
	1	DR1550				
UT1812 X 90 AS	1	DR1836	DR1836 SD	DGI-1836	6	S1812
	1	DR1850				
UT2112 X 90 AS	1	DR2136	DR2136 SD	DGI-2136	6	S2112
	1	DR2150				
UT2412 X 90 AS BUTT	2	DR1236 BUTT	DR1236 BUTT SD	DGI-1236 BUTT	6	S2412
	2	DR1250 BUTT				
UTILITY WITH ADJUSTABLE SHELVES - 12" DEEP X 93" HIGH						
UT1212 X 93 AS	1	DR1239	DR1239 SD	DGI-1239	7	S1212
	1	DR1250				
UT1512 X 93 AS	1	DR1539	DR1539 SD	DGI-1539	7	S1512
	1	DR1550				
UT1812 X 93 AS	1	DR1839	DR1839 SD	DGI-1839	7	S1812
	1	DR1850				
UT2112 X 93 AS	1	DR2139	DR2139 SD	DGI-2139	7	S2112
	1	DR2150				
UT2412 X 93 AS BUTT	2	DR1239 BUTT	DR1239 BUTT SD	DGI-1239 BUTT	7	S2412
	2	DR1250 BUTT				
UTILITY WITH ADJUSTABLE SHELVES - 12" DEEP X 96" HIGH						
UT1212 X 96 AS	1	DR1242	DR1242 SD	DGI-1242	7	S1212
	1	DR1250				
UT1512 X 96 AS	1	DR1542	DR1542 SD	DGI-1542	7	S1512
	1	DR1550				
UT1812 X 96 AS	1	DR1842	DR1842 SD	DGI-1842	7	S1812
	1	DR1850				
UT2112 X 96 AS	1	DR2142	DR2142 SD	DGI-2142	7	S2112
	1	DR2150				
UT2412 X 96 AS BUTT	2	DR1242 BUTT	DR1242 BUTT SD	DGI-1242 BUTT	7	S2412
	2	DR1250 BUTT				

PARTS DIRECTORY: Utility Cabinets

SKU	Qty	DOOR	SPECIALTY DOOR	DECORATIVE GLASS	Qty	ADJUSTABLE SHELF OR DROT
			Specialty doors require a specialty door selection			*For All Plywood Construction or Matching Interior Adjustable Shelf, upgrade through construction options
		Part Name	Part Name	Part Name		*Part Name
UTILITY WITH ADJUSTABLE SHELVES • 24" DEEP X 84" HIGH						
UT1224 X 84 AS	1	DR1230	DR1230 SD	DGI-1230	5	S1224
	1	DR1250				
UT1524 X 84 AS	1	DR1530	DR1530 SD	DGI-1530	5	S1524
	1	DR1550				
UT1824 X 84 AS	1	DR1830	DR1830 SD	DGI-1830	5	S1824
	1	DR1850				
UT2124 X 84 AS	1	DR2130	DR2130 SD	DGI-2130	5	S2124
	1	DR2150				
UT2424 X 84 AS BUTT	2	DR1230 BUTT	DR1230 BUTT SD	DGI-1230 BUTT	5	S2424
	2	DR1250 BUTT				
UT2724 X 84 AS BUTT	2	DR1330 BUTT	DR1330 BUTT SD	DGI-1330 BUTT	5	S2724
	2	DR1350 BUTT				
UT3024 X 84 AS BUTT	2	DR1530 BUTT	DR1530 BUTT SD	DGI-1530 BUTT	5	S3024
	2	DR1550 BUTT				
UT3324 X 84 AS BUTT	2	DR1630 BUTT	DR1630 BUTT SD	DGI-1630 BUTT	5	S3324
	2	DR1650 BUTT				
UT3624 X 84 AS BUTT	2	DR1830 BUTT	DR1830 BUTT SD	DGI-1830 BUTT	5	S3624
	2	DR1850 BUTT				
UTILITY WITH ADJUSTABLE SHELVES • 24" DEEP X 90" HIGH						
UT1224 X 90 AS	1	DR1236	DR1236 SD	DGI-1236	6	S1224
	1	DR1250				
UT1524 X 90 AS	1	DR1536	DR1536 SD	DGI-1536	6	S1524
	1	DR1550				
UT1824 X 90 AS	1	DR1836	DR1836 SD	DGI-1836	6	S1824
	1	DR1850				
UT2124 X 90 AS	1	DR2136	DR2136 SD	DGI-2136	6	S2124
	1	DR2150				
UT2424 X 90 AS BUTT	2	DR1236 BUTT	DR1236 BUTT SD	DGI-1236 BUTT	6	S2424
	2	DR1250 BUTT				
UT2724 X 90 AS BUTT	2	DR1336 BUTT	DR1336 BUTT SD	DGI-1336 BUTT	6	S2724
	2	DR1350 BUTT				
UT3024 X 90 AS BUTT	2	DR1536 BUTT	DR1536 BUTT SD	DGI-1536 BUTT	6	S3024
	2	DR1550 BUTT				
UT3324 X 90 AS BUTT	2	DR1636 BUTT	DR1636 BUTT SD	DGI-1636 BUTT	6	S3324
	2	DR1650 BUTT				
UT3624 X 90 AS BUTT	2	DR1836 BUTT	DR1836 BUTT SD	DGI-1836 BUTT	6	S3624
	2	DR1850 BUTT				

PARTS: TALL CABINETS

PARTS DIRECTORY: Utility Cabinets

SKU	Qty	DOOR	SPECIALTY DOOR	DECORATIVE GLASS	Qty	ADJUSTABLE SHELF OR DROT
			Specialty doors require a specialty door selection			*For All Plywood Construction or Matching Interior Adjustable Shelf, upgrade through construction options
		Part Name	Part Name	Part Name		*Part Name
UTILITY WITH ADJUSTABLE SHELVES - 24" DEEP X 93" HIGH						
UT1224 X 93 AS	1	DR1239	DR1239 SD	DGI-1239	7	S1224
	1	DR1250				
UT1524 X 93 AS	1	DR1539	DR1539 SD	DGI-1539	7	S1524
	1	DR1550				
UT1824 X 93 AS	1	DR1839	DR1839 SD	DGI-1839	7	S1824
	1	DR1850				
UT2124 X 93 AS	1	DR2139	DR2139 SD	DGI-2139	7	S2124
	1	DR2150				
UT2424 X 93 AS BUTT	2	DR1239 BUTT	DR1239 BUTT SD	DGI-1239 BUTT	7	S2424
	2	DR1250 BUTT				
UT2724 X 93 AS BUTT	2	DR1339 BUTT	DR1339 BUTT SD	DGI-1339 BUTT	7	S2724
	2	DR1350 BUTT				
UT3024 X 93 AS BUTT	2	DR1539 BUTT	DR1539 BUTT SD	DGI-1539 BUTT	7	S3024
	2	DR1550 BUTT				
UT3324 X 93 AS BUTT	2	DR1639 BUTT	DR1639 BUTT SD	DGI-1639 BUTT	7	S3324
	2	DR1650 BUTT				
UT3624 X 93 AS BUTT	2	DR1839 BUTT	DR1839 BUTT SD	DGI-1839 BUTT	7	S3624
	2	DR1850 BUTT				
UTILITY WITH ADJUSTABLE SHELVES - 24" DEEP X 96" HIGH						
UT1224 X 96 AS	1	DR1242	DR1242 SD	DGI-1242	7	S1224
	1	DR1250				
UT1524 X 96 AS	1	DR1542	DR1542 SD	DGI-1542	7	S1524
	1	DR1550				
UT1824 X 96 AS	1	DR1842	DR1842 SD	DGI-1842	7	S1824
	1	DR1850				
UT2124 X 96 AS	1	DR2142	DR2142 SD	DGI-2142	7	S2124
	1	DR2150				
UT2424 X 96 AS BUTT	2	DR1242 BUTT	DR1242 BUTT SD	DGI-1242 BUTT	7	S2424
	2	DR1250 BUTT				
UT2724 X 96 AS BUTT	2	DR1342 BUTT	DR1342 BUTT SD	DGI-1342 BUTT	7	S2724
	2	DR1350 BUTT				
UT3024 X 96 AS BUTT	2	DR1542 BUTT	DR1542 BUTT SD	DGI-1542 BUTT	7	S3024
	2	DR1550 BUTT				
UT3324 X 96 AS BUTT	2	DR1642 BUTT	DR1642 BUTT SD	DGI-1642 BUTT	7	S3324
	2	DR1650 BUTT				
UT3624 X 96 AS BUTT	2	DR1842 BUTT	DR1842 BUTT SD	DGI-1842 BUTT	7	S3624
	2	DR1850 BUTT				

PARTS DIRECTORY: Utility Cabinets

PARTS: TALL CABINETS

SKU	Qty	DOOR	SPECIALTY DOOR	DECORATIVE GLASS	Qty	ADJUSTABLE SHELF OR DROT
			Specialty doors require a specialty door selection			*For All Plywood Construction or Matching Interior Adjustable Shelf, upgrade through construction options
		Part Name	Part Name	Part Name		*Part Name
UTILITY WITH DEEP ROLL OUT TRAYS - 84" HIGH						
UT1224 X 84 4ROT	1	DR1230	DR1230 SD	DGI-1230	1	S1224
	1	DR1250			4	DROT12
UT1524 X 84 4ROT	1	DR1530	DR1530 SD	DGI-1530	1	S1524
	1	DR1550			4	DROT15
UT1824 X 84 4ROT	1	DR1830	DR1830 SD	DGI-1830	1	S1824
	1	DR1850			4	DROT18
UT2124 X 84 4ROT	1	DR2130	DR2130 SD	DGI-2130	1	S2124
	1	DR2150			4	DROT21
UT2424 X 84 4ROT BUTT	2	DR1230 BUTT	DR1230 BUTT SD	DGI-1230 BUTT	1	S2424
	2	DR1250 BUTT			4	DROT24
UT2724 X 84 4ROT BUTT	2	DR1330 BUTT	DR1330 BUTT SD	DGI-1330 BUTT	1	S2724
	2	DR1350 BUTT			4	DROT27
UT3024 X 84 4ROT BUTT	2	DR1530 BUTT	DR1530 BUTT SD	DGI-1530 BUTT	1	S3024
	2	DR1550 BUTT			4	DROT30
UT3324 X 84 4ROT BUTT	2	DR1630 BUTT	DR1630 BUTT SD	DGI-1630 BUTT	1	S3324
	2	DR1650 BUTT			4	DROT33
UT3624 X 84 4ROT BUTT	2	DR1830 BUTT	DR1830 BUTT SD	DGI-1830 BUTT	1	S3624
	2	DR1850 BUTT			4	DROT36
UTILITY WITH DEEP ROLL OUT TRAYS - 90" HIGH						
UT1224 X 90 4ROT	1	DR1236	DR1236 SD	DGI-1236	2	S1224
	1	DR1250			4	DROT12
UT1524 X 90 4ROT	1	DR1536	DR1536 SD	DGI-1536	2	S1524
	1	DR1550			4	DROT15
UT1824 X 90 4ROT	1	DR1836	DR1836 SD	DGI-1836	2	S1824
	1	DR1850			4	DROT18
UT2124 X 90 4ROT	1	DR2136	DR2136 SD	DGI-2136	2	S2124
	1	DR2150			4	DROT21
UT2424 X 90 4ROT BUTT	2	DR1236 BUTT	DR1236 BUTT SD	DGI-1236 BUTT	2	S2424
	2	DR1250 BUTT			4	DROT24
UT2724 X 90 4ROT BUTT	2	DR1336 BUTT	DR1336 BUTT SD	DGI-1336 BUTT	2	S2724
	2	DR1350 BUTT			4	DROT27
UT3024 X 90 4ROT BUTT	2	DR1536 BUTT	DR1536 BUTT SD	DGI-1536 BUTT	2	S3024
	2	DR1550 BUTT			4	DROT30
UT3324 X 90 4ROT BUTT	2	DR1636 BUTT	DR1636 BUTT SD	DGI-1636 BUTT	2	S3324
	2	DR1650 BUTT			4	DROT33
UT3624 X 90 4ROT BUTT	2	DR1836 BUTT	DR1836 BUTT SD	DGI-1836 BUTT	2	S3624
	2	DR1850 BUTT			4	DROT36

PARTS DIRECTORY: Utility Cabinets

SKU	Qty	DOOR	SPECIALTY DOOR	DECORATIVE GLASS	Qty	ADJUSTABLE SHELF OR DROT
			Specialty doors require a specialty door selection			*For All Plywood Construction or Matching Interior Adjustable Shelf, upgrade through construction options
		Part Name	Part Name	Part Name		*Part Name
UTILITY WITH DEEP ROLL OUT TRAYS - 93" HIGH						
UT1224 X 93 4ROT	1	DR1239	DR1239 SD	DGI-1239	3	S1224
	1	DR1250			4	DROT12
UT1524 X 93 4ROT	1	DR1539	DR1539 SD	DGI-1539	3	S1524
	1	DR1550			4	DROT15
UT1824 X 93 4ROT	1	DR1839	DR1839 SD	DGI-1839	3	S1824
	1	DR1850			4	DROT18
UT2124 X 93 4ROT	1	DR2139	DR2139 SD	DGI-2139	3	S2124
	1	DR2150			4	DROT21
UT2424 X 93 4ROT BUTT	2	DR1239 BUTT	DR1239 BUTT SD	DGI-1239 BUTT	3	S2424
	2	DR1250 BUTT			4	DROT24
UT2724 X 93 4ROT BUTT	2	DR1339 BUTT	DR1339 BUTT SD	DGI-1339 BUTT	3	S2724
	2	DR1350 BUTT			4	DROT27
UT3024 X 93 4ROT BUTT	2	DR1539 BUTT	DR1539 BUTT SD	DGI-1539 BUTT	3	S3024
	2	DR1550 BUTT			4	DROT30
UT3324 X 93 4ROT BUTT	2	DR1639 BUTT	DR1639 BUTT SD	DGI-1639 BUTT	3	S3324
	2	DR1650 BUTT			4	DROT33
UT3624 X 93 4ROT BUTT	2	DR1839 BUTT	DR1839 BUTT SD	DGI-1839 BUTT	3	S3624
	2	DR1850 BUTT			4	DROT36
UTILITY WITH DEEP ROLL OUT TRAYS - 96" HIGH						
UT1224 X 96 4ROT	1	DR1242	DR1242 SD	DGI-1242	3	S1224
	1	DR1250			4	DROT12
UT1524 X 96 4ROT	1	DR1542	DR1542 SD	DGI-1542	3	S1524
	1	DR1550			4	DROT15
UT1824 X 96 4ROT	1	DR1842	DR1842 SD	DGI-1842	3	S1824
	1	DR1850			4	DROT18
UT2124 X 96 4ROT	1	DR2142	DR2142 SD	DGI-2142	3	S2124
	1	DR2150			4	DROT21
UT2424 X 96 4ROT BUTT	2	DR1242 BUTT	DR1242 BUTT SD	DGI-1242 BUTT	3	S2424
	2	DR1250 BUTT			4	DROT24
UT2724 X 96 4ROT BUTT	2	DR1342 BUTT	DR1342 BUTT SD	DGI-1342 BUTT	3	S2724
	2	DR1350 BUTT			4	DROT27
UT3024 X 96 4ROT BUTT	2	DR1542 BUTT	DR1542 BUTT SD	DGI-1542 BUTT	3	S3024
	2	DR1550 BUTT			4	DROT30
UT3324 X 96 4ROT BUTT	2	DR1642 BUTT	DR1642 BUTT SD	DGI-1642 BUTT	3	S3324
	2	DR1650 BUTT			4	DROT33
UT3624 X 96 4ROT BUTT	2	DR1842 BUTT	DR1842 BUTT SD	DGI-1842 BUTT	3	S3624
	2	DR1850 BUTT			4	DROT36
UTILITY WITH PANTRY STORAGE - 24" DEEP X 84" HIGH						
UT3624 X 84 PCDS BUTT	2	DR1830 BUTT	DR1830 BUTT SD	DGI-1830 BUTT	1	S3624
	2	DR1850 BUTT			1	PCKS36
					2	PDSK18
					1	PSK36
UTILITY WITH PANTRY STORAGE - 24" DEEP X 90" HIGH						
UT3624 X 90 PCDS BUTT	2	DR1836 BUTT	DR1836 BUTT SD	DGI-1836 BUTT	2	S3624
	2	DR1850 BUTT			1	PCKS36
					2	PDSK18
					1	PSK36
UTILITY WITH PANTRY STORAGE - 24" DEEP X 93" HIGH						
UT3624 X 93 PCDS BUTT	2	DR1839 BUTT	DR1839 BUTT SD	DGI-1839 BUTT	3	S3624
	2	DR1850 BUTT			1	PCKS36
					2	PDSK18
					1	PSK36
UTILITY WITH PANTRY STORAGE - 24" DEEP X 96" HIGH						
UT3624 X 96 PCDS BUTT	2	DR1842 BUTT	DR1842 BUTT SD	DGI-1842 BUTT	3	S3624
	2	DR1850 BUTT			1	PCKS36
					2	PDSK18
					1	PSK36

PARTS DIRECTORY: Single Oven Cabinets

PARTS: TALL CABINETS

SKU	Qty	DOOR		ADJUSTABLE SHELF/ACCESSORY		DRAWER FRONT		DRAWER BODY
		Part Name	Qty	*Part Name	Qty	Full Overlay	Partial Overlay	Part Name
Part Name	Qty	*Part Name	Qty	Part Name	Part Name	Part Name		
DOUBLE OVEN CABINETS WITH 2 BUTT DOORS, 1 DRAWER · 84" HIGH								
OVD2784 BUTT	2	DRI1318 BUTT	-	-	1	DDFOV27	DDF27	DRB24 X 21DP DT FD
OVD3084 BUTT	2	DRI1518 BUTT	-	-	1	DDFOV30	DDF30	DRB27 X 21DP DT FD
OVD3384 BUTT	2	DRI1618 BUTT	-	-	1	DDFOV33	DDF33	DRB30 X 21DP DT FD
DOUBLE OVEN CABINETS WITH 2 BUTT DOORS, 1 DRAWER · 90" HIGH								
OVD2790 AS BUTT	2	DRI1324 BUTT	1	S2724	1	DDFOV27	DDF27	DRB24 X 21DP DT FD
OVD3090 AS BUTT	2	DRI1524 BUTT	1	S3024	1	DDFOV30	DDF30	DRB27 X 21DP DT FD
OVD3390 AS BUTT	2	DRI1624 BUTT	1	S3324	1	DDFOV33	DDF33	DRB30 X 21DP DT FD
DOUBLE OVEN CABINETS WITH 2 BUTT DOORS, 1 DRAWER · 93" HIGH								
OVD2793 AS BUTT	2	DRI1327 BUTT	2	S2724	1	DDFOV27	DDF27	DRB24 X 21DP DT FD
OVD3093 AS BUTT	2	DRI1527 BUTT	2	S3024	1	DDFOV30	DDF30	DRB27 X 21DP DT FD
OVD3393 AS BUTT	2	DRI1627 BUTT	2	S3324	1	DDFOV33	DDF33	DRB30 X 21DP DT FD
DOUBLE OVEN CABINETS WITH 2 BUTT DOORS, 1 DRAWER · 96" HIGH								
OVD2796 AS BUTT	2	DRI1330 BUTT	2	S2724	1	DDFOV27	DDF27	DRB24 X 21DP DT FD
OVD3096 AS BUTT	2	DRI1530 BUTT	2	S3024	1	DDFOV30	DDF30	DRB27 X 21DP DT FD
OVD3396 AS BUTT	2	DRI1630 BUTT	2	S3324	1	DDFOV33	DDF33	DRB30 X 21DP DT FD
DOUBLE OVEN CABINETS WITH 2 BUTT DOORS AND 1 LARGE DRAWER · 84" HIGH								
OVD2784 BUTT 1DDWR	2	DRI1318 BUTT	-	-	1	DDF27M	DDF27D	DRB24M X 21DP DT FD
OVD3084 BUTT 1DDWR	2	DRI1518 BUTT	-	-	1	DDF30M	DDF30D	DRB27M X 21DP DT FD
OVD3384 BUTT 1DDWR	2	DRI1618 BUTT	-	-	1	DDF33M	DDF33D	DRB30M X 21DP DT FD
DOUBLE OVEN CABINETS WITH 2 BUTT DOORS AND 1 LARGE DRAWER · 90" HIGH								
OVD2790 AS BUTT 1DDWR	2	DRI1324 BUTT	1	S2724	1	DDF27M	DDF27D	DRB24M X 21DP DT FD
OVD3090 AS BUTT 1DDWR	2	DRI1524 BUTT	1	S3024	1	DDF30M	DDF30D	DRB27M X 21DP DT FD
OVD3390 AS BUTT 1DDWR	2	DRI1624 BUTT	1	S3324	1	DDF33M	DDF33D	DRB30M X 21DP DT FD
DOUBLE OVEN CABINETS WITH 2 BUTT DOORS AND 1 LARGE DRAWER · 93" HIGH								
OVD2793 AS BUTT 1DDWR	2	DRI1327 BUTT	2	S2724	1	DDF27M	DDF27D	DRB24M X 21DP DT FD
OVD3093 AS BUTT 1DDWR	2	DRI1527 BUTT	2	S3024	1	DDF30M	DDF30D	DRB27M X 21DP DT FD
OVD3393 AS BUTT 1DDWR	2	DRI1627 BUTT	2	S3324	1	DDF33M	DDF33D	DRB30M X 21DP DT FD
DOUBLE OVEN CABINETS WITH 2 BUTT DOORS AND 1 LARGE DRAWER · 96" HIGH								
OVD2796 AS BUTT 1DDWR	2	DRI1330 BUTT	2	S2724	1	DDF27M	DDF27D	DRB24M X 21DP DT FD
OVD3096 AS BUTT 1DDWR	2	DRI1530 BUTT	2	S3024	1	DDF30M	DDF30D	DRB27M X 21DP DT FD
OVD3396 AS BUTT 1DDWR	2	DRI1630 BUTT	2	S3324	1	DDF33M	DDF33D	DRB30M X 21DP DT FD
DOUBLE OVEN CABINETS WITH 2 BUTT DOORS AND 2 DRAWERS · 84" HIGH								
OVD2784 BUTT 2DWR	2	DRI1318 BUTT	-	-	2	DDF27	DDF27	DRB24 X 21DP DT FD
OVD3084 BUTT 2DWR	2	DRI1518 BUTT	-	-	2	DDF30	DDF30	DRB27 X 21DP DT FD
OVD3384 BUTT 2DWR	2	DRI1618 BUTT	-	-	2	DDF33	DDF33	DRB30 X 21DP DT FD
DOUBLE OVEN CABINETS WITH 2 BUTT DOORS AND 2 DRAWERS · 90" HIGH								
OVD2790 AS BUTT 2DWR	2	DRI1324 BUTT	1	S2724	2	DDF27	DDF27	DRB24 X 21DP DT FD
OVD3090 AS BUTT 2DWR	2	DRI1524 BUTT	1	S3024	2	DDF30	DDF30	DRB27 X 21DP DT FD
OVD3390 AS BUTT 2DWR	2	DRI1624 BUTT	1	S3324	2	DDF33	DDF33	DRB30 X 21DP DT FD
DOUBLE OVEN CABINETS WITH 2 BUTT DOORS AND 2 DRAWERS · 93" HIGH								
OVD2793 AS BUTT 2DWR	2	DRI1327 BUTT	2	S2724	2	DDF27	DDF27	DRB24 X 21DP DT FD
OVD3093 AS BUTT 2DWR	2	DRI1527 BUTT	2	S3024	2	DDF30	DDF30	DRB27 X 21DP DT FD
OVD3393 AS BUTT 2DWR	2	DRI1627 BUTT	2	S3324	2	DDF33	DDF33	DRB30 X 21DP DT FD
DOUBLE OVEN CABINETS WITH 2 BUTT DOORS AND 2 DRAWERS · 96" HIGH								
OVD2796 AS BUTT 2DWR	2	DRI1330 BUTT	2	S2724	2	DDF27	DDF27	DRB24 X 21DP DT FD
OVD3096 AS BUTT 2DWR	2	DRI1530 BUTT	2	S3024	2	DDF30	DDF30	DRB27 X 21DP DT FD
OVD3396 AS BUTT 2DWR	2	DRI1630 BUTT	2	S3324	2	DDF33	DDF33	DRB30 X 21DP DT FD

PARTS DIRECTORY: Single Oven Cabinets

SKU	Qty	DOOR		ADJUSTABLE SHELF/ACCESSORY		DRAWER FRONT		DRAWER BODY
		Part Name	Qty	*Part Name	Qty	Full Overlay	Partial Overlay	Part Name
						Part Name	Part Name	
SINGLE OVEN CABINETS WITH 2 BUTT DOORS AND 4 DRAWERS - 84" HIGH								
OVS2784 BUTT 4DWR	2	DRI318 BUTT	-	-	2	DDF27	DDF27	DRB24 X 21DP DT FD
					2	DDF27M	DDF27D	DRB24M X 21DP DT FD
OVS3084 BUTT 4DWR	2	DRI518 BUTT	-	-	2	DDF30	DDF30	DRB27 X 21DP DT FD
					2	DDF30M	DDF30D	DRB27M X 21DP DT FD
OVS3384 BUTT 4DWR	2	DRI618 BUTT	-	-	2	DDF33	DDF33	DRB30 X 21DP DT FD
					2	DDF33M	DDF33D	DRB30M X 21DP DT FD
SINGLE OVEN CABINETS WITH 2 BUTT DOORS AND 4 DRAWERS - 90" HIGH								
OVS2790 AS BUTT 4DWR	2	DRI324 BUTT	1	S2724	2	DDF27	DDF27	DRB24 X 21DP DT FD
					2	DDF27M	DDF27D	DRB24M X 21DP DT FD
OVS3090 AS BUTT 4DWR	2	DRI524 BUTT	1	S3024	2	DDF30	DDF30	DRB27 X 21DP DT FD
					2	DDF30M	DDF30D	DRB27M X 21DP DT FD
OVS3390 AS BUTT 4DWR	2	DRI624 BUTT	1	S3324	2	DDF33	DDF33	DRB30 X 21DP DT FD
					2	DDF33M	DDF33D	DRB30M X 21DP DT FD
SINGLE OVEN CABINETS WITH 2 BUTT DOORS AND 4 DRAWERS - 93" HIGH								
OVS2793 AS BUTT 4DWR	2	DRI327 BUTT	2	S2724	2	DDF27	DDF27	DRB24 X 21DP DT FD
					2	DDF27M	DDF27D	DRB24M X 21DP DT FD
OVS3093 AS BUTT 4DWR	2	DRI527 BUTT	2	S3024	2	DDF30	DDF30	DRB27 X 21DP DT FD
					2	DDF30M	DDF30D	DRB27M X 21DP DT FD
OVS3393 AS BUTT 4DWR	2	DRI627 BUTT	2	S3324	2	DDF33	DDF33	DRB30 X 21DP DT FD
					2	DDF33M	DDF33D	DRB30M X 21DP DT FD
SINGLE OVEN CABINETS WITH 2 BUTT DOORS AND 4 DRAWERS - 96" HIGH								
OVS2796 AS BUTT 4DWR	2	DRI330 BUTT	2	S2724	2	DDF27	DDF27	DRB24 X 21DP DT FD
					2	DDF27M	DDF27D	DRB24M X 21DP DT FD
OVS3096 AS BUTT 4DWR	2	DRI530 BUTT	2	S3024	2	DDF30	DDF30	DRB27 X 21DP DT FD
					2	DDF30M	DDF30D	DRB27M X 21DP DT FD
OVS3396 AS BUTT 4DWR	2	DRI630 BUTT	2	S3324	2	DDF33	DDF33	DRB30 X 21DP DT FD
					2	DDF33M	DDF33D	DRB30M X 21DP DT FD
SINGLE OVEN CABINETS WITH 4 BUTT DOORS AND 1 DRAWER - 84" HIGH								
OVS2784 BUTT 1DWR	2	DRI318 BUTT	-	-	1	DDF27	DDF27	DRB24 X 21DP DT FD
	2	DRI324 BUTT						
OVS3084 BUTT 1DWR	2	DRI518 BUTT	-	-	1	DDF30	DDF30	DRB27 X 21DP DT FD
	2	DRI524 BUTT						
OVS3384 BUTT 1DWR	2	DRI618 BUTT	-	-	1	DDF33	DDF33	DRB30 X 21DP DT FD
	2	DRI624 BUTT						
SINGLE OVEN CABINETS WITH 4 BUTT DOORS AND 1 DRAWER - 90" HIGH								
OVS2790 AS BUTT 1DWR	4	DRI324 BUTT	1	S2724	1	DDF27	DDF27	DRB24 X 21DP DT FD
OVS3090 AS BUTT 1DWR	4	DRI524 BUTT	1	S3024	1	DDF30	DDF30	DRB27 X 21DP DT FD
OVS3390 AS BUTT 1DWR	4	DRI624 BUTT	1	S3324	1	DDF33	DDF33	DRB30 X 21DP DT FD
SINGLE OVEN CABINETS WITH 4 BUTT DOORS AND 1 DRAWER - 93" HIGH								
OVS2793 AS BUTT 1DWR	2	DRI327 BUTT	2	S2724	1	DDF27	DDF27	DRB24 X 21DP DT FD
	2	DRI324 BUTT						
OVS3093 AS BUTT 1DWR	2	DRI527 BUTT	2	S3024	1	DDF30	DDF30	DRB27 X 21DP DT FD
	2	DRI524 BUTT						
OVS3393 AS BUTT 1DWR	2	DRI627 BUTT	2	S3324	1	DDF33	DDF33	DRB30 X 21DP DT FD
	2	DRI624 BUTT						
SINGLE OVEN CABINETS WITH 4 BUTT DOORS AND 1 DRAWER - 96" HIGH								
OVS2796 AS BUTT 1DWR	2	DRI330 BUTT	2	S2724	1	DDF27	DDF27	DRB24 X 21DP DT FD
	2	DRI324 BUTT						
OVS3096 AS BUTT 1DWR	2	DRI530 BUTT	2	S3024	1	DDF30	DDF30	DRB27 X 21DP DT FD
	2	DRI524 BUTT						
OVS3396 AS BUTT 1DWR	2	DRI630 BUTT	2	S3324	1	DDF33	DDF33	DRB30 X 21DP DT FD
	2	DRI624 BUTT						

PARTS DIRECTORY: Single Oven Cabinets

PARTS: TALL CABINETS

SKU	Qty	DOOR		ADJUSTABLE SHELF/ACCESSORY		DRAWER FRONT		DRAWER BODY
		Part Name	Qty	*Part Name	Qty	Full Overlay	Partial Overlay	Part Name
						Part Name	Part Name	
SINGLE OVEN CABINETS WITH 4 BUTT DOORS, 1 DRAWER AND 1 POT & PAN ORGANIZER - 84" HIGH								
OVS2784 BUTT 1DWR BPP0	2	DRI318 BUTT	-	-	1	DDF27	DDF27	DRB24 X 21DP DT FD
	2	DRI324 BUTT	1	BBPOK24				
OVS3084 BUTT 1DWR BPP0	2	DRI518 BUTT	-	-	1	DDF30	DDF30	DRB27 X 21DP DT FD
	2	DRI524 BUTT	1	BPP0K27				
OVS3384 BUTT 1DWR BPP0	2	DRI618 BUTT	-	-	1	DDF33	DDF33	DRB30 X 21DP DT FD
	2	DRI624 BUTT	1	BPP0K30				
SINGLE OVEN CABINETS WITH 4 BUTT DOORS, 1 DRAWER AND 1 POT & PAN ORGANIZER - 90" HIGH								
OVS2790 BUTT 1DWR BPP0	4	DRI324 BUTT	1	S2724	1	DDF27	DDF27	DRB24 X 21DP DT FD
			1	BPP0K24				
OVS3090 BUTT 1DWR BPP0	4	DRI524 BUTT	1	S3024	1	DDF30	DDF30	DRB27 X 21DP DT FD
			1	BPP0K27				
OVS3390 BUTT 1DWR BPP0	4	DRI624 BUTT	1	S3324	1	DDF33	DDF33	DRB30 X 21DP DT FD
			1	BPP0K30				
SINGLE OVEN CABINETS WITH 4 BUTT DOORS, 1 DRAWER AND 1 POT & PAN ORGANIZER - 93" HIGH								
OVS2793 BUTT 1DWR BPP0	2	DRI327 BUTT	2	S2724	1	DDF27	DDF27	DRB24 X 21DP DT FD
	2	DRI324 BUTT	1	BPP0K24				
OVS3093 BUTT 1DWR BPP0	2	DRI527 BUTT	2	S3024	1	DDF30	DDF30	DRB27 X 21DP DT FD
	2	DRI524 BUTT	1	BPP0K27				
OVS3393 BUTT 1DWR BPP0	2	DRI627 BUTT	2	S3324	1	DDF33	DDF33	DRB30 X 21DP DT FD
	2	DRI624 BUTT	1	BPP0K30				
SINGLE OVEN CABINETS WITH 4 BUTT DOORS, 1 DRAWER AND 1 POT & PAN ORGANIZER - 96" HIGH								
OVS2796 BUTT 1DWR BPP0	2	DRI330 BUTT	2	S2724	1	DDF27	DDF27	DRB24 X 21DP DT FD
	2	DRI324 BUTT	1	BPP0K24				
OVS3096 BUTT 1DWR BPP0	2	DRI530 BUTT	2	S3024	1	DDF30	DDF30	DRB27 X 21DP DT FD
	2	DRI524 BUTT	1	BPP0K27				
OVS3396 BUTT 1DWR BPP0	2	DRI630 BUTT	2	S3324	1	DDF33	DDF33	DRB30 X 21DP DT FD
	2	DRI624 BUTT	1	BPP0K30				
SINGLE OVEN CABINETS WITH 4 BUTT DOORS AND 2 DRAWERS - 84" HIGH								
OVS2784 BUTT 2DWR	2	DRI318 BUTT	-	-	2	DDF27	DDF27	DRB24 X 21DP DT FD
	2	DRI324 BUTT						
OVS3084 BUTT 2DWR	2	DRI518 BUTT	-	-	2	DDF30	DDF30	DRB27 X 21DP DT FD
	2	DRI524 BUTT						
OVS3384 BUTT 2DWR	2	DRI618 BUTT	-	-	2	DDF33	DDF33	DRB30 X 21DP DT FD
	2	DRI624 BUTT						
SINGLE OVEN CABINETS WITH 4 BUTT DOORS AND 2 DRAWERS - 90" HIGH								
OVS2790 AS BUTT 2DWR	4	DRI324 BUTT	1	S2724	2	DDF27	DDF27	DRB24 X 21DP DT FD
OVS3090 AS BUTT 2DWR	4	DRI524 BUTT	1	S3024	2	DDF30	DDF30	DRB27 X 21DP DT FD
OVS3390 AS BUTT 2DWR	4	DRI624 BUTT	1	S3324	2	DDF33	DDF33	DRB30 X 21DP DT FD
SINGLE OVEN CABINETS WITH 4 BUTT DOORS AND 2 DRAWERS - 93" HIGH								
OVS2793 AS BUTT 2DWR	2	DRI327 BUTT	2	S2724	2	DDF27	DDF27	DRB24 X 21DP DT FD
	2	DRI324 BUTT						
OVS3093 AS BUTT 2DWR	2	DRI527 BUTT	2	S3024	2	DDF30	DDF30	DRB27 X 21DP DT FD
	2	DRI524 BUTT						
OVS3393 AS BUTT 2DWR	2	DRI627 BUTT	2	S3324	2	DDF33	DDF33	DRB30 X 21DP DT FD
	2	DRI624 BUTT						
SINGLE OVEN CABINETS WITH 4 BUTT DOORS AND 2 DRAWERS - 96" HIGH								
OVS2796 AS BUTT 2DWR	2	DRI330 BUTT	2	S2724	2	DDF27	DDF27	DRB24 X 21DP DT FD
	2	DRI324 BUTT						
OVS3096 AS BUTT 2DWR	2	DRI530 BUTT	2	S3024	2	DDF30	DDF30	DRB27 X 21DP DT FD
	2	DRI524 BUTT						
OVS3396 AS BUTT 2DWR	2	DRI630 BUTT	2	S3324	2	DDF33	DDF33	DRB30 X 21DP DT FD
	2	DRI624 BUTT						

PARTS DIRECTORY: Single Oven Cabinets

SKU	Qty	DOOR		ADJUSTABLE SHELF/ACCESSORY		DRAWER FRONT		DRAWER BODY
		Part Name	Qty	*Part Name	Qty	Full Overlay	Partial Overlay	Part Name
						Part Name	Part Name	
SINGLE OVEN CABINETS WITH 4 BUTT DOORS, 2 DRAWERS AND 1 POT & PAN ORGANIZER - 84" HIGH								
OVS2784 BUTT 2DWR BPP0	2	DR1318 BUTT	-	-	2	DDF27	DDF27	DRB24 X 21DP DT FD
	2	DR1324 BUTT	1	BBPOK24				
OVS3084 BUTT 2DWR BPP0	2	DR1518 BUTT	-	-	2	DDF30	DDF30	DRB27 X 21DP DT FD
	2	DR1524 BUTT	1	BPP0K27				
OVS3384 BUTT 2DWR BPP0	2	DR1618 BUTT	-	-	2	DDF33	DDF33	DRB30 X 21DP DT FD
	2	DR1624 BUTT	1	BPP0K30				
SINGLE OVEN CABINETS WITH 4 BUTT DOORS, 2 DRAWERS AND 1 POT & PAN ORGANIZER - 90" HIGH								
OVS2790 AS BUTT 2DWR BPP0	4	DR1324 BUTT	1	S2724	2	DDF27	DDF27	DRB24 X 21DP DT FD
				BPP0K24				
OVS3090 AS BUTT 2DWR BPP0	4	DR1524 BUTT	1	S3024	2	DDF30	DDF30	DRB27 X 21DP DT FD
				BPP0K27				
OVS3390 AS BUTT 2DWR BPP0	4	DR1624 BUTT	1	S3324	2	DDF33	DDF33	DRB30 X 21DP DT FD
				BPP0K30				
SINGLE OVEN CABINETS WITH 4 BUTT DOORS, 2 DRAWERS AND 1 POT & PAN ORGANIZER - 93" HIGH								
OVS2793 AS BUTT 2DWR BPP0	2	DR1327 BUTT	2	S2724	2	DDF27	DDF27	DRB24 X 21DP DT FD
				BPP0K24				
OVS3093 AS BUTT 2DWR BPP0	2	DR1527 BUTT	2	S3024	2	DDF30	DDF30	DRB27 X 21DP DT FD
				BPP0K27				
OVS3393 AS BUTT 2DWR BPP0	2	DR1627 BUTT	2	S3324	2	DDF33	DDF33	DRB30 X 21DP DT FD
				BPP0K30				
SINGLE OVEN CABINETS WITH 4 BUTT DOORS, 2 DRAWERS AND 1 POT & PAN ORGANIZER - 96" HIGH								
OVS2796 AS BUTT 2DWR BPP0	2	DR1330 BUTT	2	S2724	2	DDF27	DDF27	DRB24 X 21DP DT FD
				BPP0K24				
OVS3096 AS BUTT 2DWR BPP0	2	DR1530 BUTT	2	S3024	2	DDF30	DDF30	DRB27 X 21DP DT FD
				BPP0K27				
OVS3396 AS BUTT 2DWR BPP0	2	DR1630 BUTT	2	S3324	2	DDF33	DDF33	DRB30 X 21DP DT FD
				BPP0K30				

PARTS DIRECTORY: Single Oven Cabinets

PARTS: TALL CABINETS

SKU	Qty	DOOR		ADJUSTABLE SHELF/ACCESSORY	
		Part Name	Qty	*Part Name	
SINGLE OVEN CABINETS WITH 4 BUTT DOORS - 84" HIGH					
OVS2784 BUTT	2	DR1318 BUTT	-	-	
	2	DR1324 BUTT			
OVS3084 BUTT	2	DR1518 BUTT	-	-	
	2	DR1524 BUTT			
OVS3384 BUTT	2	DR1618 BUTT	-	-	
	2	DR1624 BUTT			
SINGLE OVEN CABINETS WITH 4 BUTT DOORS - 90" HIGH					
OVS2790 AS BUTT	4	DR1324 BUTT	1	S2724	
OVS3090 AS BUTT	4	DR1524 BUTT	1	S3024	
OVS3390 AS BUTT	4	DR1624 BUTT	1	S3025	
SINGLE OVEN CABINETS WITH 4 BUTT DOORS - 93" HIGH					
OVS2793 AS BUTT	2	DR1327 BUTT	2	S2724	
	2	DR1324 BUTT			
OVS3093 AS BUTT	2	DR1527 BUTT	2	S3024	
	2	DR1524 BUTT			
OVS3393 AS BUTT	2	DR1627 BUTT	2	S3324	
	2	DR1624 BUTT			
SINGLE OVEN CABINETS WITH 4 BUTT DOORS - 96" HIGH					
OVS2796 AS BUTT	2	DR1330 BUTT	2	S2724	
	2	DR1324 BUTT			
OVS3096 AS BUTT	2	DR1530 BUTT	2	S3024	
	2	DR1524 BUTT			
OVS3396 AS BUTT	2	DR1630 BUTT	2	S3324	
	2	DR1624 BUTT			
SINGLE OVEN CABINETS WITH 4 BUTT DOORS AND 1 POT AND PAN ORGANIZER - 84" HIGH					
OVS2784 BUTT BPP0	2	DR1318 BUTT	-	-	
	2	DR1324 BUTT	1	BBP0K24	
OVS3084 BUTT BPP0	2	DR1518 BUTT	-	-	
	2	DR1524 BUTT	1	BPP0K27	
OVS3384 BUTT BPP0	2	DR1618 BUTT	-	-	
	2	DR1624 BUTT	1	BPP0K30	
SINGLE OVEN CABINETS WITH 4 BUTT DOORS AND 1 POT AND PAN ORGANIZER - 90" HIGH					
OVS2790 BUTT BPP0	4	DR1324 BUTT	1	S2724	
			1	BPP0K24	
OVS3090 BUTT BPP0	4	DR1524 BUTT	1	S3024	
			1	BPP0K27	
OVS3390 BUTT BPP0	4	DR1624 BUTT	1	S3324	
			1	BPP0K30	
SINGLE OVEN CABINETS WITH 4 BUTT DOORS AND 1 POT AND PAN ORGANIZER - 93" HIGH					
OVS2793 BUTT BPP0	2	DR1327 BUTT	2	S2724	
	2	DR1324 BUTT	1	BPP0K24	
OVS3093 BUTT BPP0	2	DR1527 BUTT	2	S3024	
	2	DR1524 BUTT	1	BPP0K27	
OVS3393 BUTT BPP0	2	DR1627 BUTT	2	S3324	
	2	DR1624 BUTT	1	BPP0K30	
SINGLE OVEN CABINETS WITH 4 BUTT DOORS AND 1 POT AND PAN ORGANIZER - 96" HIGH					
OVS2796 BUTT BPP0	2	DR1330 BUTT	2	S2724	
	2	DR1324 BUTT	1	BPP0K24	
OVS3096 BUTT BPP0	2	DR1530 BUTT	2	S3024	
	2	DR1524 BUTT	1	BPP0K27	
OVS3396 BUTT BPP0	2	DR1630 BUTT	2	S3324	
	2	DR1624 BUTT	1	BPP0K30	

PARTS DIRECTORY: Vanity Cabinets

SKU	Qty	DOOR		DRAWER/PANEL FRONT	
		Part Name	Qty	Part Name	Qty
VANITY SINK BASE - 31 1/8" HIGH					
VSB15	1	DRI52IV	1	DDF15	
VSB18	1	DRI82IV	1	DDF18	
VSB21	1	DR212IV	1	DDF21	
VSB24 BUTT	2	DR122IV BUTT	1	DDF24	
VSB27 BUTT	2	DR132IV BUTT	1	DDF27	
VSB30 BUTT	2	DR152IV BUTT	1	DDF30	
VSB33 BUTT	2	DR162IV BUTT	1	DDF33	
VSB36 BUTT	2	DR182IV BUTT	1	DDF36	
VSB39	2	DRI92IV	2	DDF19	
VSB42	2	DR212IV	2	DDF21	
VSB48	2	DRI52IV	2	DDF15	
	1	DRI82IV	1	DDF18	
VSB54 BUTT	4	DR132IV BUTT	2	DDF27	
VSB60 BUTT	4	DR152IV BUTT	2	DDF30	
VANITY SINK BASE - 18" DEEP X 31 1/8" HIGH					
VSB2418 BUTT	2	DR122IV BUTT	1	DDF24	
VSB3018 BUTT	2	DR152IV BUTT	1	DDF30	
VSB3618 BUTT	2	DR182IV BUTT	1	DDF36	
VANITY SINK FRONT					
VSF21	1	DR212IV	1	DDF21	
VSF24 BUTT	2	DR122IV BUTT	1	DDF24	
VSF30 BUTT	2	DR152IV BUTT	1	DDF30	
VSF36 BUTT	2	DR182IV BUTT	1	DDF36	
VSF39	2	DRI92IV	2	DDF19	
VSF42	2	DR212IV	2	DDF21	
VSF48	2	DRI52IV	2	DDF15	
	1	DRI82IV	1	DDF18	
VANITY SINK BASE - 34 1/2" HIGH					
VSB1534H	1	DRI524	1	DDF15	
VSB1834H	1	DRI824	1	DDF18	
VSB2134H	1	DR2124	1	DDF21	
VSB2434H BUTT	2	DR1224 BUTT	1	DDF24	
VSB2734H BUTT	2	DR1324 BUTT	1	DDF27	
VSB3034H BUTT	2	DR1524 BUTT	1	DDF30	
VSB3334H BUTT	2	DR1624 BUTT	1	DDF33	
VSB3634H BUTT	2	DR1824 BUTT	1	DDF36	
VSB3934H	2	DRI924	2	DDF19	
VSB4234H	2	DR2124	2	DDF21	
VSB4834H	2	DRI524	2	DDF15	
	1	DRI824	1	DDF18	
VSB5434H BUTT	4	DR1324 BUTT	2	DDF27	
VSB6034H BUTT	4	DR1524 BUTT	2	DDF30	
VANITY SINK BASE - 18" DEEP X 34 1/2" HIGH					
VSB241834H BUTT	2	DR1224 BUTT	1	DDF24	
VSB301834H BUTT	2	DR1524 BUTT	1	DDF30	
VSB361834H BUTT	2	DR1824 BUTT	1	DDF36	
VANITY PLUMBING SKIRT					
VPS30 UD	-	-	1	DDFKDC33/27	
VPS36 UD	-	-	1	DDFKDC36/33	

PARTS DIRECTORY: Full-Height Vanity Base Cabinets

SKU	Qty	DOOR	
		Full Overlay	Partial Overlay
		Part Name	Part Name
VANITY FULL-HEIGHT BASE · 34 1/2" HIGH			
VB1234H FH	1	DR12FH	DR1230
VB1534H FH	1	DR15FH	DR1530
VB1834H FH	1	DR18FH	DR1830
VB2134H FH	1	DR21FH	DR2130
VB2434H BUTT FH	2	DR12BUTT FH	DR1230 BUTT
VB3034H BUTT FH	2	DR15BUTT FH	DR1530 BUTT
VB3634H BUTT FH	2	DR18BUTT FH	DR1830 BUTT

SKU	Qty	DRAWER FRONT		DRAWER BODY
		Full Overlay	Partial Overlay	
		Part Name	Part Name	Part Name
STANDARD HEIGHT VANITY DRAWER BASE · 31 1/8" HIGH				
VDB12	2	DDF12	DDF12	DRB12 X 18DP DT FD
	1	DDF12VD	DDF12D	DRB12M X 18DP DT FD
VDB15	2	DDF15	DDF15	DRB15 X 18DP DT FD
	1	DDF15VD	DDF15D	DRB15M X 18DP DT FD
VDB18	2	DDF18	DDF18	DRB18 X 18DP DT FD
	1	DDF18VD	DDF18D	DRB18M X 18DP DT FD
VDB21	2	DDF21	DDF21	DRB21 X 18DP DT FD
	1	DDF21VD	DDF21D	DRB21M X 18DP DT FD
VDB24	2	DDF24	DDF24	DRB24 X 18DP DT FD
	1	DDF24VD	DDF24D	DRB24M X 18DP DT FD
BASE HEIGHT VANITY DRAWER BASE · 34 1/2" HIGH				
VDB1234H	1	DDF12	DDF12	DRB12 X 18DP DT FD
	2	DDF12M	DDF12D	DRB12M X 18DP DT FD
VDB1534H	1	DDF15	DDF15	DRB15 X 18DP DT FD
	2	DDF15M	DDF15D	DRB15M X 18DP DT FD
VDB1834H	1	DDF18	DDF18	DRB18 X 18DP DT FD
	2	DDF18M	DDF18D	DRB18M X 18DP DT FD
VDB2134H	1	DDF21	DDF21	DRB21 X 18DP DT FD
	2	DDF21M	DDF21D	DRB21M X 18DP DT FD
VDB2434H	1	DDF24	DDF24	DRB24 X 18DP DT FD
	2	DDF24M	DDF24D	DRB24M X 18DP DT FD
KNEEHOLE DRAWER CABINET				
KDC27/21	1	DDFKDC27/21	DDFKDC27/21	DRBKDC27X 15DP DT FD
KDC33/27	1	DDFKDC33/27	DDFKDC33/27	DRBKDC33X 15DP DT FD
KDC36/33	1	DDFKDC36/33	DDFKDC36/33	DRBKDC36X 15DP DT FD

PARTS: VANITY CABINETS

PARTS DIRECTORY: Vanity Cabinets

SKU	DOOR		DRAWER BODY		DRAWER/PANEL FRONT		
	Qty	Part Name	Qty	Part Name	Qty	Full Overlay Part Name	Partial Overlay Part Name
	VANITY BASE - 31 1/8" HIGH						
VB12	1	DR122IV	1	DRB12 X 18DP DT FD	1	DDF12	DDF12
VB15	1	DR152IV	1	DRB15 X 18DP DT FD	1	DDF15	DDF15
VB18	1	DR182IV	1	DRB18 X 18DP DT FD	1	DDF18	DDF18
VB21	1	DR212IV	1	DRB21 X 18DP DT FD	1	DDF21	DDF21
VB24 BUTT	2	DR122IV BUTT	1	DRB24 X 18DP DT FD	1	DDF24	DDF24
VB27 BUTT	2	DR132IV BUTT	1	DRB27 X 18DP DT FD	1	DDF27	DDF27
VB30 BUTT	2	DR152IV BUTT	1	DRB30 X 18DP DT FD	1	DDF30	DDF30
VB33 BUTT	2	DR162IV BUTT	1	DRB33 X 18DP DT FD	1	DDF33	DDF33
VB36 BUTT	2	DR182IV BUTT	1	DRB36 X 18DP DT FD	1	DDF36	DDF36
VANITY SINK BASE WITH TOP DRAWERS - 31 1/8" HIGH							
VAN36 BUTT	2	DR182IV BUTT	2	DRB10 X 18DP DT FD	3	DDF12	DDF12
VAN39	2	DR192IV	2	DRB12 X 18DP DT FD	2	DDF12	DDF12
					1	DDF15	DDF15
VAN42	2	DR212IV	2	DRB12 X 18DP DT FD	2	DDF12	DDF12
					1	DDF18	DDF18
VAN48	2	DR152IV	2	DRB15 X 18DP DT FD	2	DDF15	DDF15
	1	DR182IV			1	DDF18	DDF18
VAN54 BUTT	2	DR122IV	2	DRB12 X 18DP DT FD	2	DDF12	DDF12
	2	DR152IV BUTT			1	DDF30	DDF30
VAN60 BUTT	2	DR152IV	2	DRB15 X 18DP DT FD	2	DDF15	DDF15
	2	DR152IV BUTT			1	DDF30	DDF30
VANITY COMBO SINK BASE - 18" DEEP X 31 1/8" HIGH							
VSDB2418	1	DR122IV	1	DRB12 X 15DP DT FD	1	DDF12	DDF12
			1	DRB12M X 15DP DT FD	1	DDF12VD	DDF12D
					1	DDF24	DDF24
VSDB2718	1	DR152IV	1	DRB12 X 15DP DT FD	1	DDF12	DDF12
			1	DRB12M X 15DP DT FD	1	DDF12VD	DDF12D
					1	DDF27	DDF27
VSDB3018	1	DR182IV	1	DRB12 X 15DP DT FD	1	DDF12	DDF12
			1	DRB12M X 15DP DT FD	1	DDF12VD	DDF12D
					1	DDF30	DDF30
VSDB3318	1	DR212IV	1	DRB12 X 15DP DT FD	1	DDF12	DDF12
			1	DRB12M X 15DP DT FD	1	DDF12VD	DDF12D
					1	DDF33	DDF33
VSDB3618	1	DR212IV	1	DRB15 X 15DP DT FD	1	DDF15	DDF15
			1	DRB15M X 15DP DT FD	1	DDF15VD	DDF15D
					1	DDF36	DDF36

PARTS DIRECTORY: Vanity Cabinets

SKU	DOOR		DRAWER BODY		DRAWER/PANEL FRONT		
	Qty	Part Name	Qty	Part Name	Full Overlay		Partial Overlay
					Part Name	Part Name	
VANITY COMBO SINK BASE - 31 1/8" HIGH							
VSDB24	1	DRI221V	1	DRB12 X 18DP DT FD	1	DDF12	DDF12
			1	DRB12M X 18DP DT FD	1	DDF12VD	DDF12D
					1	DDF24	DDF24
VSDB27	1	DRI521V	1	DRB12 X 18DP DT FD	1	DDF12	DDF12
			1	DRB12M X 18DP DT FD	1	DDF12VD	DDF12D
					1	DDF27	DDF27
VSDB30	1	DRI821V	1	DRB12 X 18DP DT FD	1	DDF12	DDF12
			1	DRB12M X 18DP DT FD	1	DDF12VD	DDF12D
					1	DDF30	DDF30
VSDB33	1	DR2121V	1	DRB12 X 18DP DT FD	1	DDF12	DDF12
			1	DRB12M X 18DP DT FD	1	DDF12VD	DDF12D
					1	DDF33	DDF33
VSDB36	1	DR2121V	1	DRB15 X 18DP DT FD	1	DDF15	DDF15
			1	DRB15M X 18DP DT FD	1	DDF15VD	DDF15D
					1	DDF36	DDF36
VSDB42 BUTT	2	DRI521V BUTT	2	DRB12 X 18DP DT FD	1	DDF30	DDF30
			1	DRB12M X 18DP DT FD	2	DDF12	DDF12
					1	DDF12VD	DDF12D
VSDB48D BUTT	2	DRI221V BUTT	4	DRB12 X 18DP DT FD	1	DDF24	DDF24
			2	DRB12M X 18DP DT FD	4	DDF12	DDF12
					2	DDF12VD	DDF12D
VSDB54D BUTT	2	DRI221V BUTT	4	DRB15 X 18DP DT FD	1	DDF24	DDF24
			2	DRB15M X 18DP DT FD	4	DDF15	DDF15
					2	DDF15VD	DDF15D
VSDB60C BUTT	4	DRI221V BUTT	2	DRB12 X 18DP DT FD	2	DDF24	DDF24
			1	DRB12M X 18DP DT FD	2	DDF12	DDF12
					1	DDF12VD	DDF12D
VSDB60D BUTT	2	DRI521V BUTT	4	DRB15 X 18DP DT FD	1	DDF30	DDF30
			2	DRB15M X 18DP DT FD	4	DDF15	DDF15
					2	DDF15VD	DDF15D
VANITY BASE - 34 1/2" HIGH							
VB1234H	1	DRI224	1	DRB12 X 18DP DT FD	1	DDF12	DDF12
VB1534H	1	DRI524	1	DRB15 X 18DP DT FD	1	DDF15	DDF15
VB1834H	1	DR1824	1	DRB18 X 18DP DT FD	1	DDF18	DDF18
VB2134H	1	DR2124	1	DRB21 X 18DP DT FD	1	DDF21	DDF21
VB2434H BUTT	2	DRI224 BUTT	1	DRB24 X 18DP DT FD	1	DDF24	DDF24
VB2734H BUTT	2	DR1324 BUTT	1	DRB27 X 18DP DT FD	1	DDF27	DDF27
VB3034H BUTT	2	DRI524 BUTT	1	DRB30 X 18DP DT FD	1	DDF30	DDF30
VB3334H BUTT	2	DR1624 BUTT	1	DRB33 X 18DP DT FD	1	DDF33	DDF33
VB3634H BUTT	2	DR1824 BUTT	1	DRB36 X 18DP DT FD	1	DDF36	DDF36

PARTS: VANITY CABINETS

PARTS DIRECTORY: Vanity Cabinets

SKU	DOOR		DRAWER BODY		DRAWER/PANEL FRONT	
	Qty	Part Name	Qty	Part Name	Full Overlay	Partial Overlay
					Part Name	Part Name
VANITY BASE WITH BOTTOM MOUNT WASTEBASKET - 34 1/2" HIGH						
VWBB1834H	1	DR1824 ND	1	DRB18 X 18DP DT FD	1	DDF18
			1	VWBB1834H _OL KIT		DDF18
VANITY SINK BASE WITH TOP DRAWERS - 34 1/2" HIGH						
VAN3634H BUTT	2	DR1824 BUTT	2	DRB10 X 18DP DT FD	3	DDF12
VAN3934H	2	DR1924	2	DRB12 X 18DP DT FD	2	DDF12
					1	DDF15
VAN4234H	2	DR2124	2	DRB12 X 18DP DT FD	2	DDF12
					1	DDF18
VAN4834H	2	DR1524	2	DRB15 X 18DP DT FD	2	DDF15
	1	DR1824			1	DDF18
VAN5434H BUTT	2	DR1224	2	DRB12 X 18DP DT FD	2	DDF12
	2	DR1524 BUTT			1	DDF30
VAN6034H BUTT	2	DR1524	2	DRB15 X 18DP DT FD	2	DDF15
	2	DR1524 BUTT			1	DDF30
VANITY COMBO SINK BASE - 18" DEEP X 34 1/2" HIGH						
VSDB241834H	1	DR1224	2	DRB12M X 15DP DT FD	2	DDF12M
					1	DDF24
VSDB271834H	1	DR1524	2	DRB12M X 15DP DT FD	2	DDF12M
					1	DDF27
VSDB301834H	1	DR1824	2	DRB12M X 15DP DT FD	2	DDF12M
					1	DDF30
VSDB331834H	1	DR2124	2	DRB12M X 15DP DT FD	2	DDF12M
					1	DDF33
VSDB361834H	1	DR2124	2	DRB15M X 15DP DT FD	2	DDF15M
					1	DDF36

PARTS DIRECTORY: Vanity Cabinets

SKU	DOOR		DRAWER BODY		DRAWER/PANEL FRONT		
	Qty	Part Name	Qty	Part Name	Full Overlay		Partial Overlay
					Part Name	Part Name	
VANITY COMBO SINK BASE - 34 1/2" HIGH							
VSDB2434H	1	DR1224	2	DRB12M X 18DP DT FD	2	DDF12M	DDF12D
					1	DDF24	DDF24
VSDB2734H	1	DR1524	2	DRB12M X 18DP DT FD	2	DDF12M	DDF12D
					1	DDF27	DDF27
VSDB3034H	1	DR1824	2	DRB12M X 18DP DT FD	2	DDF12M	DDF12D
					1	DDF30	DDF30
VSDB3334H	1	DR2124	2	DRB12M X 18DP DT FD	2	DDF12M	DDF12D
					1	DDF33	DDF33
VSDB3634H	1	DR2124	2	DRB15M X 18DP DT FD	2	DDF15M	DDF15D
					1	DDF36	DDF36
VSDB3934H	1	DR2124	2	DRB18M X 18DP DT FD	1	DDF21	DDF21
					1	DDF18	DDF18
					2	DDF18M	DDF18D
VSDB4234H BUTT	2	DR1524 BUTT	1	DRB12 X 18DP DT FD	1	DDF30	DDF30
			2	DRB12M X 18DP DT FD	1	DDF12	DDF12
					2	DDF12M	DDF12D
VSDB4834HD BUTT	2	DR1224 BUTT	2	DRB12 X 18DP DT FD	1	DDF24	DDF24
			4	DRB12M X 18DP DT FD	2	DDF12	DDF12
					4	DDF12M	DDF12D
VSDB5434HD BUTT	2	DR1224 BUTT	2	DRB15 X 18DP DT FD	1	DDF24	DDF24
			4	DRB15M X 18DP DT FD	2	DDF15	DDF15
					4	DDF15M	DDF15D
VSDB6034HC BUTT	4	DR1224 BUTT	1	DRB12 X 18DP DT FD	2	DDF24	DDF24
			2	DRB12M X 18DP DT FD	1	DDF12	DDF12
					2	DDF12M	DDF12D
VSDB6034HD BUTT	2	DR1524 BUTT	2	DRB15 X 18DP DT FD	1	DDF30	DDF30
			4	DRB15M X 18DP DT FD	2	DDF15	DDF15
					4	DDF15M	DDF15D

PARTS: VANITY CABINETS

PARTS DIRECTORY: Vanity Linen Cabinets

SKU	Qty	DOOR	SPECIALTY DOOR	DECORATIVE GLASS	Qty	ADJUSTABLE SHELF/ACCESSORY
			Specialty doors require a specialty door selection.			*For All Plywood Construction, upgrade through construction options
		Part Name	Part Name	Part Name		*Part Name
VANITY LINEN CABINETS - WITH ADJUSTABLE SHELVES						
VLC122184 AS	1	DRI230	DRI230 SD	DGI-1230	5	S1221
	1	DRI250				
VLC152184 AS	1	DRI530	DRI530 SD	DGI-1530	5	S1521
	1	DRI550				
VLC182184 AS	1	DRI830	DRI830 SD	DGI-1830	5	S1821
	1	DRI850				
VLC242184 AS BUTT	2	DRI230 BUTT	DRI230 BUTT SD	DGI-1230 BUTT	5	S2421
	2	DRI250 BUTT				
VANITY LINEN CABINETS - WITH DEEP ROLL OUT TRAYS						
VLC122184 4ROT	1	DRI230	DRI230 SD	DGI-1230	1	S1221
	1	DRI250			4	DROT1221
VLC152184 4ROT	1	DRI530	DRI530 SD	DGI-1530	1	S1521
	1	DRI550			4	DROT1521
VLC182184 4ROT	1	DRI830	DRI830 SD	DGI-1830	1	S1821
	1	DRI850			4	DROT1821
VLC242184 4ROT BUTT	2	DRI230 BUTT	DRI230 BUTT SD	DGI-1230 BUTT	1	S2421
	2	DRI250 BUTT			4	DROT2421
MEDICINE CABINET						
MC1530	1	DRI530	-	-	2	MC SHELF
MCM1530	1	DRMCM1530	-	-	2	MC SHELF
TRI-VIEW MIRROR						
TV3030	3	MIRROR TV3030	-	-	3	TV30 SHELF 9
					3	TV30 SHELF 18
TV3630	3	MIRROR TV3630	-	-	3	TV36 SHELF 11
					3	TV36 SHELF 22
VALET CABINET						
VC2436 BUTT	2	DRI224 BUTT	-	-	-	-

SKU	Qty	DOOR/DRAWER FRONT		DRAWER BODY OR ACCESSORY
		Full Overlay	Partial Overlay	
		Part Name	Part Name	Part Name
DESK FILE PULL OUT CABINET				
DFDC1821	1	DDF18	DDF18	DRB18 X 18DP DT FD
	1	DR1818 ND	DR1818 ND	DRB18M X 18DP DT FD
	1	-	-	DFDC FILE UNIT 21
DFDC1824	1	DDF18	DDF18	DRB18 X 21DP DT FD
	1	DR1818 ND	DR1818 ND	DRB18M X 18DP DT FD
	1	-	-	DFDC FILE UNIT 24
DESK DRAWER BASE CABINET - 21" DEEP				
DDR1221	2	DDF12	DDF12	DRB12 X 18DP DT FD
	1	DDF12M	DDF12D	DRB12M X 18DP DT FD
DDR1521	2	DDF15	DDF15	DRB15 X 18DP DT FD
	1	DDF15M	DDF15D	DRB15M X 18DP DT FD
DDR1821	2	DDF18	DDF18	DRB18 X 18DP DT FD
	1	DDF18M	DDF18D	DRB18M X 18DP DT FD
DDR2121	2	DDF21	DDF21	DRB21 X 18DP DT FD
	1	DDF21M	DDF21D	DRB21M X 18DP DT FD
DDR2421	2	DDF24	DDF24	DRB24 X 18DP DT FD
	1	DDF24M	DDF24D	DRB24M X 18DP DT FD
DESK DRAWER BASE CABINET - 24" DEEP				
DDR1224	2	DDF12	DDF12	DRB12 X 21DP DT FD
	1	DDF12M	DDF12D	DRB12M X 21DP DT FD
DDR1524	2	DDF15	DDF15	DRB15 X 21DP DT FD
	1	DDF15M	DDF15D	DRB15M X 21DP DT FD
DDR1824	2	DDF18	DDF18	DRB18 X 21DP DT FD
	1	DDF18M	DDF18D	DRB18M X 21DP DT FD
DDR2124	2	DDF21	DDF21	DRB21 X 21DP DT FD
	1	DDF21M	DDF21D	DRB21M X 21DP DT FD
DDR2424	2	DDF24	DDF24	DRB24 X 21DP DT FD
	1	DDF24M	DDF24D	DRB24M X 21DP DT FD
DESK WITH BOTTOM MOUNT WASTEBASKET(S)				
DWBB1821	1	DR1824 ND	DR1824 ND	DWBB1821_OL KIT
DWBB1824	1	DR1824 ND	DR1824 ND	DWBB1824_OL KIT

SKU	Qty	DOOR	Qty	ADJUSTABLE SHELF/ACCESSORY	Qty	DRAWER/PANEL FRONT	Qty	DRAWER BODY
				*For All Plywood Construction Adjustable Shelf, refer to Parts Directory legend				
		Part Name		*Part Name		Part Name		
DESK DOOR - 21" DEEP								
DD01221	1	DR1218	1	12" SHELF 21DP 3/4	1	DDF12	1	DRB12 X 18DP DT FD
DD01521	1	DR1518	1	15" SHELF 21DP 3/4	1	DDF15	1	DRB15 X 18DP DT FD
DD01821	1	DR1818	1	18" SHELF 21DP 3/4	1	DDF18	1	DRB18 X 18DP DT FD
DD02121	1	DR2118	1	21" SHELF 21DP 3/4	1	DDF21	1	DRB21 X 18DP DT FD
DD02421 BUTT	2	DR1218 BUTT	1	24" SHELF 21DP 3/4	1	DDF24	1	DRB24 X 18DP DT FD
DESK DOOR - 24" DEEP								
DD01224	1	DR1218	1	12" SHELF 24DP 3/4	1	DDF12	1	DRB12 X 21DP DT FD
DD01524	1	DR1518	1	15" SHELF 24DP 3/4	1	DDF15	1	DRB15 X 21DP DT FD
DD01824	1	DR1818	1	18" SHELF 24DP 3/4	1	DDF18	1	DRB18 X 21DP DT FD
DD02124	1	DR2118	1	21" SHELF 24DP 3/4	1	DDF21	1	DRB21 X 21DP DT FD
DD02424 BUTT	2	DR1218 BUTT	1	24" SHELF 24DP 3/4	1	DDF24	1	DRB24 X 21DP DT FD

PARTS DIRECTORY: Decorator Matching Doors

SKU	Qty	DECORATOR MATCHING DOOR	
		Full Overlay	Partial Overlay
		Part Name	Part Name
DECORATOR MATCHING BASE DOORS			
DMDB	1	DR24FH ND	DR2430 ND
DMDBEA12	1	DR12FH ND	DR1230 ND
DECORATOR MATCHING DESK DOORS			
DMD21	1	DR2124 ND	DR2124 ND
DMD24	1	DR2424 ND	DR2424 ND
DECORATOR MATCHING TALL DOORS			
DMT8412	1	DR1230 ND	DR1230 ND
	1	DR1250 ND	DR1250 ND
DMT8424	2	DR1230 ND	DR1230 ND
	2	DR1250 ND	DR1250 ND
DMT9012	1	DR1236 ND	DR1236 ND
	1	DR1250 ND	DR1250 ND
DMT9024	2	DR1236 ND	DR1236 ND
	2	DR1250 ND	DR1250 ND
DMT9312	1	DR1239 ND	DR1239 ND
	1	DR1250 ND	DR1250 ND
DMT9324	2	DR1239 ND	DR1239 ND
	2	DR1250 ND	DR1250 ND
DMT9612	1	DR1242 ND	DR1242 ND
	1	DR1250 ND	DR1250 ND
DMT9624	2	DR1242 ND	DR1242 ND
	2	DR1250 ND	DR1250 ND
DECORATOR MATCHING WALL DOORS			
DMDW18	1	DR1218 ND	DR1218 ND
DMDW24	1	DR1224 ND	DR1224 ND
DMDW30	1	DR1230 ND	DR1230 ND
DMDW36	1	DR1236 ND	DR1236 ND
DMDW39	1	DR1239 ND	DR1239 ND
DMDW42	1	DR1242 ND	DR1242 ND
DECORATOR MATCHING VANITY DOORS			
DMDV	1	DR2121 ND	DR2121 ND
	1	DDF21	DDF21

PARTS: DECORATOR MATCHING DOORS

DOOR DIMENSIONS		
PART NAME	Standard, Specialty (SD) & No-Drill (ND) Doors are the same dimension	
	Full Overlay	Partial Overlay
12" HIGH		
DR1212 BUTT	11 9/16" x 11 1/2"	9 7/8" x 10"
DR1512 BUTT	14 23/32" x 11 1/2"	13 15/16" x 10"
DR1612 BUTT	16 7/32" x 11 1/2"	15 7/16" x 10"
DR1812 BUTT	17 23/32" x 11 1/2"	16 15/16" x 10"
DR1912	19 1/16" x 11 1/2"	17 3/8" x 10"
DR2112	20 9/16" x 11 1/2"	18 7/8" x 10"
15" HIGH		
DR1315 BUTT	13 7/32" x 14 1/2"	12 7/16" x 13"
DR1515 BUTT	14 23/32" x 14 1/2"	13 15/16" x 13"
DR1615 BUTT	16 7/32" x 14 1/2"	15 7/16" x 13"
DR1815 BUTT	17 23/32" x 14 1/2"	16 15/16" x 13"
DR1915	19 1/16" x 14 1/2"	17 3/8" x 13"
DR3015 WTH	29 1/2" x 14 9/16"	28" x 12 7/8"
DR3615 WTH	35 1/2" x 14 9/16"	34" x 12 7/8"
18" HIGH		
DR1218	11 9/16" x 17 1/2"	9 7/8" x 16"
DR1218 BUTT	11 23/32" x 17 1/2"	10 15/16" x 16"
DR1318 BUTT	13 7/32" x 17 1/2"	12 7/16" x 16"
DR1518	14 9/16" x 17 1/2"	12 7/8" x 16"
DR1518 BUTT	14 23/32" x 17 1/2"	13 15/16" x 16"
DR1618 BUTT	16 7/32" x 17 1/2"	15 7/16" x 16"
DR1818	17 9/16" x 17 1/2"	15 7/8" x 16"
DR1818 BUTT	17 23/32" x 17 1/2"	16 15/16" x 16"
DR1918	19 1/16" x 17 1/2"	17 3/8" x 16"
DR2118	20 9/16" x 17 1/2"	18 7/8" x 16"
DR3018 WTH	29 1/2" x 17 9/16"	28" x 15 7/8"
DR3618 WTH	35 1/2" x 17 9/16"	34" x 15 7/8"
21" HIGH		
DR1221V	11 9/16" x 20"	9 7/8" x 18 1/2"
DR1221V BUTT	11 23/32" x 20"	10 15/16" x 18 1/2"
DR1321V BUTT	13 7/32" x 20"	12 7/16" x 18 1/2"
DR1521 BUTT	14 23/32" x 20"	13 15/16" x 18 1/2"
DR1521V	14 9/16" x 20"	12 7/8" x 18 1/2"
DR1521V BUTT	14 23/32" x 20"	13 15/16" x 18 1/2"
DR1621 BUTT	16 7/32" x 20"	15 7/16" x 18 1/2"
DR1621V BUTT	16 7/32" x 20"	15 7/16" x 18 1/2"
DR1821 BUTT	17 23/32" x 20"	16 5/16" x 18 1/2"
DR1821V	17 9/16" x 20"	15 7/8" x 18 1/2"
DR1821V BUTT	17 23/32" x 20"	16 15/16" x 18 1/2"
DR1921	19 1/16" x 20"	17 3/8" x 18 1/2"
DR1921V	19 1/16" x 20"	17 3/8" x 18 1/2"
DR2121V	20 9/16" x 20"	18 7/8" x 18 1/2"
24" HIGH		
DR1224	11 9/16" x 23 7/8"	9 7/8" x 22 3/8"
DR1224 BUTT	11 23/32" x 23 7/8"	10 15/16" x 22 3/8"
DR1324 BUTT	13 7/32" x 23 7/8"	12 7/16" x 22 3/8"
DR1524	14 9/16" x 23 7/8"	12 7/8" x 22 3/8"
DR1524 BUTT	14 23/32" x 23 7/8"	13 15/16" x 22 3/8"
DR1624 BUTT	16 7/32" x 23 7/8"	15 7/16" x 22 3/8"
DR1824	17 9/16" x 23 7/8"	15 7/8" x 22 3/8"
DR1824 BUTT	17 23/32" x 23 7/8"	16 15/16" x 22 3/8"
DR1924	19 1/16" x 23 7/8"	17 3/8" x 22 3/8"
DR2124	20 9/16" x 23 7/8"	18 7/8" x 22 3/8"
DR2424	23 9/16" x 23 7/8"	21 7/8" x 22 3/8"

DOOR DIMENSIONS		
PART NAME	Standard, Specialty (SD) & No-Drill (ND) Doors are the same dimension	
	Full Overlay	Partial Overlay
27" HIGH		
DR1327 BUTT	13 7/32" x 26 1/2"	12 7/16" x 25"
DR1527 BUTT	14 23/32" x 26 1/2"	13 15/16" x 25"
DR1627 BUTT	16 7/32" x 26 1/2"	15 7/16" x 25"
30" HIGH		
DR930	8 9/16" x 29 1/2"	6 7/8" x 28"
DR930 BER DRILL	7 3/4" x 29 7/8"	7" x 28"
DR930 BER ND	7 3/4" x 29 7/8"	7" x 28"
DR1230	11 9/16" x 29 1/2"	9 7/8" x 28"
DR1230 BUTT	11 23/32" x 29 1/2"	10 15/16" x 28"
DR1230 WER DRILL	10 3/4" x 29 1/2"	10" x 28"
DR1230 WER ND	10 3/4" x 29 1/2"	10" x 28"
DR1230 BER ND	10 3/4" x 29 7/8"	10" x 28"
DR1230 BER DRILL	10 3/4" x 29 7/8"	10" x 28"
DR1330 BUTT	13 7/32" x 29 1/2"	12 7/16" x 28"
DR1530	14 9/16" x 29 1/2"	12 7/8" x 28"
DR1530 BUTT	14 23/32" x 29 1/2"	13 15/16" x 28"
DR1630 BUTT	16 7/32" x 29 1/2"	15 7/16" x 28"
DR1830	17 9/16" x 29 1/2"	15 7/8" x 28"
DR1830 BUTT	17 23/32" x 29 1/2"	16 15/16" x 28"
DR1930	19 1/16" x 29 1/2"	17 3/8" x 28"
DR2130	20 9/16" x 29 1/2"	18 7/8" x 28"
DR2430	23 9/16" x 29 1/2"	21 7/8" x 28"
36" HIGH		
DR936	8 9/16" x 35 1/2"	6 7/8" x 34"
DR1236	11 9/16" x 35 1/2"	9 7/8" x 34"
DR1236 BUTT	11 23/32" x 35 1/2"	10 15/16" x 34"
DR1236 WER DRILL	10 3/4" x 35 1/2"	10" x 34"
DR1236 WER ND	10 3/4" x 35 1/2"	10" x 34"
DR1336 BUTT	13 7/32" x 35 1/2"	12 7/16" x 34"
DR1536	14 9/16" x 35 1/2"	12 7/8" x 34"
DR1536 BUTT	14 23/32" x 35 1/2"	13 15/16" x 34"
DR1636 BUTT	16 7/32" x 35 1/2"	15 7/16" x 34"
DR1836	17 9/16" x 35 1/2"	15 7/8" x 34"
DR1836 BUTT	17 23/32" x 35 1/2"	16 15/16" x 34"
DR1936	19 1/16" x 35 1/2"	17 3/8" x 34"
DR2136	20 9/16" x 35 1/2"	18 7/8" x 34"
39" HIGH		
DR939	8 9/16" x 38 1/2"	6 7/8" x 37"
DR1239	11 9/16" x 38 1/2"	9 7/8" x 37"
DR1239 BUTT	11 23/32" x 38 1/2"	10 15/16" x 37"
DR1239 WER DRILL	10 3/4" x 38 1/2"	10" x 37"
DR1239 WER ND	10 3/4" x 38 1/2"	10" x 37"
DR1339 BUTT	13 7/32" x 38 1/2"	12 7/16" x 37"
DR1539	14 9/16" x 38 1/2"	12 7/8" x 37"
DR1539 BUTT	14 23/32" x 38 1/2"	13 15/16" x 37"
DR1639 BUTT	16 7/32" x 38 1/2"	15 7/16" x 37"
DR1839	17 9/16" x 38 1/2"	15 7/8" x 37"
DR1839 BUTT	17 23/32" x 38 1/2"	16 15/16" x 37"
DR2139	20 9/16" x 38 1/2"	18 7/8" x 37"

PARTS DIRECTORY: Door Dimensions

DOOR DIMENSIONS		
PART NAME	Standard, Specialty (SD) & No-Drill (ND) Doors are the same dimension	
	Full Overlay	Partial Overlay
42" HIGH		
DR942	8 9/16" x 41 1/2"	6 7/8" x 40"
DR1242	11 9/16" x 41 1/2"	9 7/8" x 40"
DR1242 BUTT	11 23/32" x 41 1/2"	10 15/16" x 40"
DR1242 WER DRILL	10 3/4" x 41 1/2"	10" x 40"
DR1242 WER ND	10 3/4" x 41 1/2"	10" x 40"
DR1342 BUTT	13 7/32" x 41 1/2"	12 7/16" x 40"
DR1542	14 9/16" x 41 1/2"	12 7/8" x 40"
DR1542 BUTT	14 23/32" x 41 1/2"	13 15/16" x 40"
DR1642 BUTT	16 7/32" x 41 1/2"	15 7/16" x 40"
DR1842	17 9/16" x 41 1/2"	15 7/8" x 40"
DR1842 BUTT	17 23/32" x 41 1/2"	16 15/16" x 40"
DR1942	19 1/16" x 41 1/2"	17 3/8" x 40"
DR2142	20 9/16" x 41 1/2"	18 7/8" x 40"
50" HIGH		
DR1250	11 9/16" x 49 1/4"	9 7/8" x 47 3/4"
DR1250 BUTT	11 23/32" x 49 1/4"	10 15/16" x 47 3/4"
DR1350 BUTT	13 7/32" x 49 1/4"	12 7/16" x 47 3/4"
DR1550	14 9/16" x 49 1/4"	12 7/8" x 47 3/4"
DR1550 BUTT	14 23/32" x 49 1/4"	13 15/16" x 47 3/4"
DR1650 BUTT	16 7/32" x 49 1/4"	15 7/16" x 47 3/4"
DR1850	17 9/16" x 49 1/4"	15 7/8" x 47 3/4"
DR1850 BUTT	17 23/32" x 49 1/4"	16 15/16" x 47 3/4"
DR2150	20 9/16" x 49 1/4"	18 7/8" x 47 3/4"
FULL-HEIGHT DOORS		
DR9FH	8 9/16" x 29 7/8"	-
DR12FH	11 9/16" x 29 7/8"	-
DR12BUTT FH	11 23/32" x 29 7/8"	-
DR13BUTT FH	13 7/32" x 29 7/8"	-
DR15FH	14 9/16" x 29 7/8"	-
DR15BUTT FH	14 23/32" x 29 7/8"	-
DR16BUTT FH	16 7/32" x 29 7/8"	-
DR18FH	17 9/16" x 29 7/8"	-
DR18BUTT FH	17 23/32" x 29 7/8"	-
DR21FH	20 9/16" x 29 7/8"	-
DR24FH	23 9/16" x 29 7/8"	-
DRCBS36	14 9/16" x 29 7/8"	12 7/8" x 28"
MEDICINE CABINET DOORS		
DRMCM1530	14 9/16" x 29 1/2"	12 7/8" x 28"
MIRROR TV3030	8 13/16" x 26 1/2"	8 13/16" x 26 1/2"
MIRROR TV3630	10 13/16" x 26 1/2"	10 13/16" x 26 1/2"

DOOR DIMENSIONS		
PART NAME	Standard, Specialty (SD) & No-Drill (ND) Doors are the same dimension	
	Full Overlay	Partial Overlay
DECORATOR DOORS		
DMDB	23 9/16" x 29 7/8"	21 7/8" x 28"
DMDBEA12	11 9/16" x 29 7/8"	9 7/8" x 28"
DMDD21	20 9/16" x 23 7/8"	18 7/8" x 22 3/8"
DMDD24	23 9/16" x 23 7/8"	21 7/8" x 22 3/8"
DMDW18	11 9/16" x 17 1/2"	9 7/8" x 16"
DMDW24	11 9/16" x 23 7/8"	9 7/8" x 22 3/8"
DMDW30	11 9/16" x 29 1/2"	9 7/8" x 28"
DMDW36	11 9/16" x 35 1/2"	9 7/8" x 34"
DMDW39	11 9/16" x 38 1/2"	9 7/8" x 37"
DMDW42	11 9/16" x 41 1/2"	9 7/8" x 40"
DMDV	20 9/16" x 20"	18 7/8" x 17 7/8"
	20 9/16" x 5 13/16"	18 7/8" x 5 1/8"
DMDT8412	11 9/16" x 29 1/2"	9 7/8" x 28"
	11 9/16" x 49 1/4"	9 7/8" x 47 3/4"
DMDT8424	11 9/16" x 29 1/2"	9 7/8" x 28"
	11 9/16" x 49 1/4"	9 7/8" x 47 3/4"
DMDT9012	11 9/16" x 35 1/2"	9 7/8" x 34"
	11 9/16" x 49 1/4"	9 7/8" x 47 3/4"
DMDT9024	11 9/16" x 35 1/2"	9 7/8" x 34"
	11 9/16" x 49 1/4"	9 7/8" x 47 3/4"
DMDT9312	11 9/16" x 38 1/2"	9 7/8" x 37"
	11 9/16" x 49 1/4"	9 7/8" x 47 3/4"
DMDT9324	11 9/16" x 38 1/2"	9 7/8" x 37"
	11 9/16" x 49 1/4"	9 7/8" x 47 3/4"
DMDT9612	11 9/16" x 41 1/2"	9 7/8" x 40"
	11 9/16" x 49 1/4"	9 7/8" x 47 3/4"
DMDT9624	11 9/16" x 41 1/2"	9 7/8" x 40"
	11 9/16" x 49 1/4"	9 7/8" x 47 3/4"

DRAWER BODY DIMENSIONS	
PART NAME	Dimensions (W x H x D)
	STANDARD DRAWERS
21" DEEP	
DRB12 X 21DP DT FD	8 1/16" x 3 1/2" x 21"
DRB15 X 21DP DT FD	11 1/16" x 3 1/2" x 21"
DRB18 X 21DP DT FD	14 1/16" x 3 1/2" x 21"
DRB19 X 21DP DT FD	15 9/16" x 3 1/2" x 21"
DRB21 X 21DP DT FD	17 1/16" x 3 1/2" x 21"
DRB24 X 21DP DT FD	20 1/16" x 3 1/2" x 21"
DRB27 X 21DP DT FD	23 1/16" x 3 1/2" x 21"
DRB30 X 21DP DT FD	26 1/16" x 3 1/2" x 21"
DRB33 X 21DP DT FD	29 1/16" x 3 1/2" x 21"
DRB36 X 21DP DT FD	32 1/16" x 3 1/2" x 21"
18" DEEP	
DRB10 X 18DP DT FD	7 1/16" x 3 1/2" x 18"
DRB12 X 18DP DT FD	8 1/16" x 3 1/2" x 18"
DRB15 X 18DP DT FD	11 1/16" x 3 1/2" x 18"
DRB18 X 18DP DT FD	14 1/16" x 3 1/2" x 18"
DRB19 X 18DP DT FD	15 9/16" x 3 1/2" x 18"
DRB21 X 18DP DT FD	17 1/16" x 3 1/2" x 18"
DRB24 X 18DP DT FD	20 1/16" x 3 1/2" x 18"
DRB27 X 18DP DT FD	23 1/16" x 3 1/2" x 18"
DRB30 X 18DP DT FD	26 1/16" x 3 1/2" x 18"
DRB33 X 18DP DT FD	29 1/16" x 3 1/2" x 18"
DRB36 X 18DP DT FD	32 1/16" x 3 1/2" x 18"
15" DEEP	
DRB10 X 15DP DT FD	7 1/16" x 3 1/2" x 15"
DRB12 X 15DP DT FD	8 1/16" x 3 1/2" x 15"
DRB15 X 15DP DT FD	11 1/16" x 3 1/2" x 15"
DRB18 X 15DP DT FD	14 1/16" x 3 1/2" x 15"
DRB19 X 15DP DT FD	15 9/16" x 3 1/2" x 15"
DRB21 X 15DP DT FD	17 1/16" x 3 1/2" x 15"
DRB24 X 15DP DT FD	20 1/16" x 3 1/2" x 15"
DRB27 X 15DP DT FD	23 1/16" x 3 1/2" x 15"
DRB30 X 15DP DT FD	26 1/16" x 3 1/2" x 15"
DRB33 X 15DP DT FD	29 1/16" x 3 1/2" x 15"
DRB36 X 15DP DT FD	32 1/16" x 3 1/2" x 15"
9" DEEP	
DRB10 X 9DP DT FD	7 1/16" x 3 1/2" x 9 7/16"
DRB12 X 9DP DT FD	8 1/16" x 3 1/2" x 9 7/16"
DRB15 X 9DP DT FD	11 1/16" x 3 1/2" x 9 7/16"
DRB18 X 9DP DT FD	14 1/16" x 3 1/2" x 9 7/16"
DRB19 X 9DP DT FD	15 9/16" x 3 1/2" x 9 7/16"
DRB21 X 9DP DT FD	17 1/16" x 3 1/2" x 9 7/16"
DRB24 X 9DP DT FD	20 1/16" x 3 1/2" x 9 7/16"
DRB27 X 9DP DT FD	23 1/16" x 3 1/2" x 9 7/16"
DRB30 X 9DP DT FD	26 1/16" x 3 1/2" x 9 7/16"
DRB33 X 9DP DT FD	29 1/16" x 3 1/2" x 9 7/16"
DRB36 X 9DP DT FD	32 1/16" x 3 1/2" x 9 7/16"

DRAWER BODY DIMENSIONS	
PART NAME	Dimensions (W x H x D)
	LARGE DRAWERS
21" DEEP	
DRB12M X 21DP DT FD	8 1/16" x 7" x 21"
DRB15M X 21DP DT FD	11 1/16" x 7" x 21"
DRB18M X 21DP DT FD	14 1/16" x 7" x 21"
DRB21M X 21DP DT FD	17 1/16" x 7" x 21"
DRB24M X 21DP DT FD	20 1/16" x 7" x 21"
DRB27M X 21DP DT FD	23 1/16" x 7" x 21"
DRB30M X 21DP DT FD	26 1/16" x 7" x 21"
DRB33M X 21DP DT FD	29 1/16" x 7" x 21"
DRB36M X 21DP DT FD	32 1/16" x 7" x 21"
18" DEEP	
DRB12M X 18DP DT FD	8 1/16" x 7" x 18"
DRB15M X 18DP DT FD	11 1/16" x 7" x 18"
DRB18M X 18DP DT FD	14 1/16" x 7" x 18"
DRB21M X 18DP DT FD	17 1/16" x 7" x 18"
DRB24M X 18DP DT FD	20 1/16" x 7" x 18"
DRB27M X 18DP DT FD	23 1/16" x 7" x 18"
DRB30M X 18DP DT FD	26 1/16" x 7" x 18"
DRB33M X 18DP DT FD	29 1/16" x 7" x 18"
DRB36M X 18DP DT FD	32 1/16" x 7" x 18"
15" DEEP	
DRB12M X 15DP DT FD	8 1/16" x 7" x 15"
DRB15M X 15DP DT FD	11 1/16" x 7" x 15"
DRB18M X 15DP DT FD	14 1/16" x 7" x 15"
DRB21M X 15DP DT FD	17 1/16" x 7" x 15"
DRB24M X 15DP DT FD	20 1/16" x 7" x 15"
DRB27M X 15DP DT FD	23 1/16" x 7" x 15"
DRB30M X 15DP DT FD	26 1/16" x 7" x 15"
DRB33M X 15DP DT FD	29 1/16" x 7" x 15"
DRB36M X 15DP DT FD	32 1/16" x 7" x 15"
9" DEEP	
DRB12M X 9DP DT FD	8 1/16" x 7" x 9"
DRB15M X 9DP DT FD	11 1/16" x 7" x 9"
DRB18M X 9DP DT FD	14 1/16" x 7" x 9"
DRB21M X 9DP DT FD	17 1/16" x 7" x 9"
DRB24M X 9DP DT FD	20 1/16" x 7" x 9"
DRB27M X 9DP DT FD	23 1/16" x 7" x 9"
DRB30M X 9DP DT FD	26 1/16" x 7" x 9"
DRB33M X 9DP DT FD	29 1/16" x 7" x 9"
DRB36M X 9DP DT FD	32 1/16" x 7" x 9"

DRAWER BODY DIMENSIONS	
PART NAME	Dimensions (W x H x D)
	MISCELLANEOUS DRAWERS
TWO DRAWER BASE	
DRB21 HD X 21DPDTFD	17 1/32" x 7 3/8" x 21"
DRB24 HD X 21DPDTFD	20 1/32" x 7 3/8" x 21"
DRB27 HD X 21DPDTFD	23 1/32" x 7 3/8" x 21"
DRB30 HD X 21DPDTFD	26 1/32" x 7 3/8" x 21"
DRB33 HD X 21DPDTFD	29 1/32" x 7 3/8" x 21"
DRB36 HD X 21DPDTFD	32 1/32" x 7 3/8" x 21"
KNEEHOLE DRAWERS	
DRBKDC27X 15DP DT FD	16 23/32" x 2 11/32" x 15"
DRBKDC33X 15DP DT FD	22 23/32" x 2 11/32" x 15"
DRBKDC36X 15DP DT FD	28 23/32" x 2 11/32" x 15"
SPICE DRAWERS	
DRB6 BSDC6	4 29/32" x 4 3/4" x 22 15/16"
DRB6 SDC30	4 29/32" x 4 3/4" x 10 15/16"
WOOD TIERED CUTLERY DIVIDER DRAWERS	
WTCDFD15	11 1/16" x 3 15/32" x 21"
WTCDFD18	14 1/16" x 3 15/32" x 21"
WTCDFD21	17 1/16" x 3 15/32" x 21"
WTCDFD24	20 1/16" x 3 15/32" x 21"

PARTS DIRECTORY: Shelf/Accessory Dimensions

SHELF DIMENSIONS	
PART NAME	Dimensions
12" DEEP	
9" SHELF 3/4	7 1/4" x 10 1/4" x 3/4"
12" SHELF 3/4	10 1/4" x 10 1/4" x 3/4"
15" SHELF 3/4	13 1/4" x 10 1/4" x 3/4"
18" SHELF 3/4	16 1/4" x 10 1/4" x 3/4"
21" SHELF 3/4	19 1/4" x 10 1/4" x 3/4"
24" SHELF 3/4	22 1/4" x 10 1/4" x 3/4"
27" SHELF 3/4	25 1/4" x 10 1/4" x 3/4"
30" SHELF 3/4	28 1/4" x 10 1/4" x 3/4"
33" SHELF 3/4	31 1/4" x 10 1/4" x 3/4"
36" SHELF 3/4	34 1/4" x 10 1/4" x 3/4"
39" SHELF 3/4	37 1/4" x 10 1/4" x 3/4"
42" SHELF 3/4	40 1/4" x 10 1/4" x 3/4"
45" SHELF 3/4	43 1/4" x 10 1/4" x 3/4"
48" SHELF 3/4	46 1/4" x 10 1/4" x 3/4"
21" DEEP	
12" SHELF 21DP 3/4	10 3/16" x 18 7/8" x 3/4"
15" SHELF 21DP 3/4	13 3/16" x 18 7/8" x 3/4"
18" SHELF 21DP 3/4	16 3/16" x 18 7/8" x 3/4"
21" SHELF 21DP 3/4	19 3/16" x 18 7/8" x 3/4"
24" SHELF 21DP 3/4	22 3/16" x 18 7/8" x 3/4"
24" DEEP	
9" SHELF 24 DP 3/4	7 13/16" x 22 1/8" x 3/4"
12" SHELF 24DP 3/4	10 3/16" x 22 1/8" x 3/4"
15" SHELF 24DP 3/4	13 3/16" x 22 1/8" x 3/4"
18" SHELF 24DP 3/4	16 3/16" x 22 1/8" x 3/4"
21" SHELF 24DP 3/4	19 3/16" x 22 1/8" x 3/4"
24" SHELF 24DP 3/4	22 3/16" x 22 1/8" x 3/4"
27" SHELF 24DP 3/4	25 1/4" x 22 1/8" x 3/4"
30" SHELF 24DP 3/4	28 1/4" x 22 1/8" x 3/4"
33" SHELF 24DP 3/4	31 1/4" x 22 1/8" x 3/4"
36" SHELF 24DP 3/4	34 1/4" x 22 1/8" x 3/4"
39" SHELF 24DP 3/4	37 1/4" x 22 1/8" x 3/4"
42" SHELF 24DP 3/4	40 1/4" x 22 1/8" x 3/4"
45" SHELF 24DP 3/4	43 1/4" x 22 1/8" x 3/4"
48" SHELF 24DP 3/4	46 1/4" x 22 1/8" x 3/4"
PENINSULA BASE SHELVES	
12" SHELF PB 3/4	10 3/16" x 22 1/8" x 3/4"
18" SHELF PB 3/4	16 3/16" x 22 1/8" x 3/4"
24" SHELF PB 3/4	22 3/16" x 22 1/8" x 3/4"
30" SHELF PB 3/4	28 3/16" x 22 1/8" x 3/4"
36" SHELF PB 3/4	34 3/16" x 22 1/8" x 3/4"
42" SHELF PB 3/4	40 3/16" x 22 1/8" x 3/4"
MISCELLANEOUS SHELVES	
BS18 SHELF _PK	16 1/4" x 10 1/4" x 23/32"
BS24 SHELF _PK	22 1/4" x 10 1/4" x 23/32"
BS30 SHELF _PK	28 1/4" x 10 1/4" x 23/32"
BS36 SHELF _PK	34 1/4" x 10 1/4" x 23/32"
TV30 SHELF 9	8 7/8" x 3" x 1/2"
TV30 SHELF 18	17 9/32" x 3" x 1/2"
TV36 SHELF 11	10 7/8" x 3" x 1/2"
TV36 SHELF 22	21 9/32" x 3" x 1/2"
WMSC2718 TOP SHELF	25 1/4" x 16 1/4" x 3/4"

SHELF DIMENSIONS	
PART NAME	Dimensions
TALL CABINET SHELVES	
SI212	10 1/4" x 10 1/4" x 3/4"
SI512	13 1/4" x 10 1/4" x 3/4"
SI812	16 1/4" x 10 1/4" x 3/4"
S2112	19 1/4" x 10 1/4" x 3/4"
S2412	22 1/4" x 10 1/4" x 3/4"
S3612	34 1/4" x 10 1/4" x 3/4"
SI221	10 3/16" x 18 7/8" x 3/4"
SI521	13 3/16" x 18 7/8" x 3/4"
SI821	16 3/16" x 18 7/8" x 3/4"
S2421	22 3/16" x 18 7/8" x 3/4"
SI224	10 3/16" x 22 1/8" x 3/4"
SI524	13 3/16" x 22 1/8" x 3/4"
SI824	16 3/16" x 22 1/8" x 3/4"
S2124	19 1/4" x 22 1/8" x 3/4"
S2424	22 3/16" x 22 1/8" x 3/4"
S2724	25 3/16" x 22 1/8" x 3/4"
S3024	28 3/16" x 22 1/8" x 3/4"
S3324	31 3/16" x 22 1/8" x 3/4"
S3624	34 3/16" x 22 1/8" x 3/4"

ROLL-OUT/ACCESSORY DIMENSIONS	
PART NAME	Dimensions
DEEP ROLL-OUT TRAYS	
DROT12	7 3/4" x 3 1/2" x 21"
DROT15	10 3/4" x 3 1/2" x 21"
DROT18	13 3/4" x 3 1/2" x 21"
DROT19	15 1/4" x 3 1/2" x 21"
DROT21	16 3/4" x 3 1/2" x 21"
DROT24	19 3/4" x 3 1/2" x 21"
DROT27	22 3/4" x 3 1/2" x 21"
DROT30	25 3/4" x 3 1/2" x 21"
DROT33	28 3/4" x 3 1/2" x 21"
DROT36	31 3/4" x 3 1/2" x 21"
DROT1221	7 3/4" x 3 1/2" x 18"
DROT1521	10 3/4" x 3 1/2" x 18"
DROT1821	13 3/4" x 3 1/2" x 18"
DROT2421	19 3/4" x 3 1/2" x 18"
SCALLOPED DEEP ROLL-OUT TRAYS	
SDROT21	16 3/4" x 3 3/8" x 21"
SDROT24	19 3/4" x 3 1/2" x 21"
SDROT27	22 3/4" x 3 1/2" x 21"
SDROT30	25 3/4" x 3 1/2" x 21"
SDROT33	28 3/4" x 3 1/2" x 21"
SDROT36	31 3/4" x 3 1/2" x 21"
BASE POT & PAN ORGANIZERS	
BPPOK24	19 3/4" x 19" x 21"
BPPOK27	22 3/4" x 19" x 21"
BPPOK30	25 3/4" x 19" x 21"
BPPOK33	28 3/4" x 19" x 21"
BPPOK36	31 3/4" x 19" x 21"
ROLL-OUT TRAY DIVIDERS	
ROTDK12	7 3/4" x 21"
ROTDK15	10 3/4" x 21"
PANTRY STORAGE KITS	
PCKS36	25 5/8" x 45" x 7 1/2"
PDSKI8	12" x 45" x 4"

PART NAME	DECORATIVE GLASS INSERT DIMENSIONS			
	20, 28, 29, 30, 44, 47, 48, 69, 70, 74, 75, 1	35, 57, 58	39, 40, 42	08, 18, 19
12" WIDE				
DGI-1218	8" x 13 15/16"	6 21/64" x 12 25/64"	6 21/64" x 12 25/64"	6 21/64" x 12 25/64"
DGI-1218 BUTT	8" x 13 15/16"	6 9/16" x 12 25/64"	6 21/64" x 12 25/64"	7 25/64" x 12 25/64"
DGI-1224	8" x 20 5/16"	6 21/64" x 18 49/64"	6 21/64" x 18 49/64"	6 21/64" x 18 49/64"
DGI-1224 BUTT	8" x 20 5/16"	6 9/16" x 18 49/64"	6 21/64" x 18 49/64"	7 25/64" x 18 49/64"
DGI-1230	8" x 25 15/16"	6 21/64" x 24 25/64"	6 21/64" x 24 25/64"	6 21/64" x 24 25/64"
DGI-1230 BUTT	8" x 25 15/16"	6 9/16" x 24 25/64"	6 21/64" x 24 25/64"	7 25/64" x 24 25/64"
DGI-1236	8" x 31 15/16"	6 21/64" x 30 25/64"	6 21/64" x 30 25/64"	6 21/64" x 30 25/64"
DGI-1236 BUTT	8" x 31 15/16"	6 9/16" x 30 25/64"	6 21/64" x 30 25/64"	7 25/64" x 30 25/64"
DGI-1239	8" x 34 15/16"	6 21/64" x 33 25/64"	6 21/64" x 33 25/64"	6 21/64" x 33 25/64"
DGI-1239 BUTT	8" x 34 15/16"	6 9/16" x 33 25/64"	6 21/64" x 33 25/64"	7 25/64" x 33 25/64"
DGI-1242	8" x 37 15/16"	6 21/64" x 36 25/64"	6 21/64" x 36 25/64"	6 21/64" x 36 25/64"
DGI-1242 BUTT	8" x 37 15/16"	6 9/16" x 36 25/64"	6 21/64" x 36 25/64"	7 25/64" x 36 25/64"
13" WIDE				
DGI-1318 BUTT	9 1/8" x 13 15/16"	8 1/16" x 12 25/64"	7 53/64" x 12 25/64"	8 57/64" x 12 25/64"
DGI-1324 BUTT	9 1/8" x 20 5/16"	8 1/16" x 18 49/64"	7 53/64" x 18 49/64"	8 57/64" x 18 49/64"
DGI-1330 BUTT	9 1/8" x 25 15/16"	8 1/16" x 24 25/64"	7 53/64" x 24 25/64"	8 57/64" x 24 25/64"
DGI-1336 BUTT	9 1/8" x 31 15/16"	8 1/16" x 30 25/64"	7 53/64" x 30 25/64"	8 57/64" x 30 25/64"
DGI-1339 BUTT	9 1/8" x 34 15/16"	8 1/16" x 33 25/64"	7 53/64" x 33 25/64"	8 57/64" x 33 25/64"
DGI-1342 BUTT	9 1/8" x 37 15/16"	8 1/16" x 36 25/64"	7 53/64" x 36 25/64"	8 57/64" x 36 25/64"
15" WIDE				
DGI-1512 BUTT	11" x 7 15/16"	9 9/16" x 6 25/64"	9 21/64" x 6 25/64"	10 25/64" x 6 25/64"
DGI-1515 BUTT	11" x 10 15/16"	9 9/16" x 9 25/64"	9 21/64" x 9 25/64"	10 25/64" x 9 25/64"
DGI-1518	11" x 13 15/16"	9 21/64" x 12 25/64"	9 21/64" x 12 25/64"	9 21/64" x 12 25/64"
DGI-1518 BUTT	11" x 13 15/16"	9 9/16" x 12 25/64"	9 21/64" x 12 25/64"	10 25/64" x 12 25/64"
DGI-1521 BUTT	11" x 16 7/16"	9 9/16" x 14 57/64"	9 21/64" x 14 57/64"	10 25/64" x 15 57/64"
DGI-1524	11" x 20 5/16"	9 21/64" x 18 49/64"	9 21/64" x 18 49/64"	9 21/64" x 18 49/64"
DGI-1524 BUTT	11" x 20 5/16"	9 9/16" x 18 49/64"	9 21/64" x 18 49/64"	10 25/64" x 18 49/64"
DGI-1527 BUTT	11" x 22 15/16"	9 9/16" x 21 25/64"	9 21/64" x 21 25/64"	10 25/64" x 21 25/64"
DGI-1530	11" x 25 15/16"	9 21/64" x 24 25/64"	9 21/64" x 24 25/64"	9 21/64" x 24 25/64"
DGI-1530 BUTT	11" x 25 15/16"	9 9/16" x 24 25/64"	9 21/64" x 24 25/64"	10 25/64" x 24 25/64"
DGI-1536	11" x 31 15/16"	9 21/64" x 30 25/64"	9 21/64" x 30 25/64"	9 21/64" x 30 25/64"
DGI-1536 BUTT	11" x 31 15/16"	9 9/16" x 30 25/64"	9 21/64" x 30 25/64"	10 25/64" x 30 25/64"
DGI-1539	11" x 34 15/16"	9 21/64" x 33 25/64"	9 21/64" x 33 25/64"	9 21/64" x 33 25/64"
DGI-1539 BUTT	11" x 34 15/16"	9 9/16" x 33 25/64"	9 21/64" x 33 25/64"	10 25/64" x 33 25/64"
DGI-1542	11" x 37 15/16"	9 21/64" x 36 25/64"	9 21/64" x 36 25/64"	9 21/64" x 36 25/64"
DGI-1542 BUTT	11" x 37 15/16"	9 9/16" x 36 25/64"	9 21/64" x 36 25/64"	10 25/64" x 36 25/64"
16" WIDE				
DGI-1612 BUTT	12 1/8" x 7 15/16"	11 1/16" x 6 25/64"	10 53/64" x 6 25/64"	11 57/64" x 6 25/64"
DGI-1615 BUTT	12 1/8" x 10 15/16"	11 1/16" x 9 25/64"	10 53/64" x 9 25/64"	11 57/64" x 9 25/64"
DGI-1618 BUTT	12 1/8" x 13 15/16"	11 1/16" x 12 25/64"	10 53/64" x 12 25/64"	11 57/64" x 12 25/64"
DGI-1621 BUTT	12 1/8" x 16 7/16"	11 1/16" x 14 57/64"	10 53/64" x 14 57/64"	11 57/64" x 15 57/64"
DGI-1624 BUTT	12 1/8" x 20 5/16"	11 1/16" x 18 49/64"	10 53/64" x 18 49/64"	11 57/64" x 18 49/64"
DGI-1630 BUTT	12 1/8" x 25 15/16"	11 1/16" x 24 25/64"	10 53/64" x 24 25/64"	11 57/64" x 24 25/64"
DGI-1636 BUTT	12 1/8" x 31 15/16"	11 1/16" x 30 25/64"	10 53/64" x 30 25/64"	11 57/64" x 30 25/64"
DGI-1639 BUTT	12 1/8" x 34 15/16"	11 1/16" x 33 25/64"	10 53/64" x 33 25/64"	11 57/64" x 33 25/64"
DGI-1642 BUTT	12 1/8" x 37 15/16"	11 1/16" x 36 25/64"	10 53/64" x 36 25/64"	11 57/64" x 36 25/64"

PARTS DIRECTORY: Glass Dimensions

PART NAME	DECORATIVE GLASS INSERT DIMENSIONS			
	20, 28, 29, 30, 44, 47, 48, 69, 70, 74, 75, I	35, 57, 58	39, 40, 42	08, 18, 19
18" WIDE				
DGI-1812 BUTT	14" x 7 15/16"	12 9/16" x 6 25/64"	12 21/64" x 6 25/64"	13 25/64" x 6 25/64"
DGI-1815 BUTT	14" x 10 15/16"	12 9/16" x 9 25/64"	12 21/64" x 9 25/64"	13 25/64" x 9 25/64"
DGI-1818	14" x 13 15/16"	12 21/64" x 12 25/64"	12 21/64" x 12 25/64"	12 21/64" x 12 25/64"
DGI-1818 BUTT	14" x 13 15/16"	12 9/16" x 12 25/64"	12 21/64" x 12 25/64"	13 25/64" x 12 25/64"
DGI-1821 BUTT	14" x 16 7/16"	12 9/16" x 14 57/64"	12 21/64" x 14 57/64"	13 25/64" x 15 57/64"
DGI-1824	14" x 20 5/16"	12 21/64" x 18 49/64"	12 21/64" x 18 49/64"	"12 21/64" x 18 49/64"
DGI-1824 BUTT	14" x 20 5/16"	12 9/16" x 18 49/64"	12 21/64" x 18 49/64"	"13 25/64" x 18 49/64"
DGI-1830	14" x 25 15/16"	12 21/64" x 24 25/64"	12 21/64" x 24 25/64"	12 21/64" x 24 25/64"
DGI-1830 BUTT	14" x 25 15/16"	12 9/16" x 24 25/64"	12 21/64" x 24 25/64"	13 25/64" x 24 25/64"
DGI-1836	14" x 31 15/16"	12 21/64" x 30 25/64"	12 21/64" x 30 25/64"	12 21/64" x 30 25/64"
DGI-1836 BUTT	14" x 31 15/16"	12 9/16" x 30 25/64"	12 21/64" x 30 25/64"	13 25/64" x 30 25/64"
DGI-1839	14" x 34 15/16"	12 21/64" x 33 25/64"	12 21/64" x 33 25/64"	12 21/64" x 33 25/64"
DGI-1839 BUTT	14" x 34 15/16"	12 9/16" x 33 25/64"	12 21/64" x 33 25/64"	13 25/64" x 33 25/64"
DGI-1842	14" x 37 15/16"	12 21/64" x 36 25/64"	12 21/64" x 36 25/64"	12 21/64" x 36 25/64"
DGI-1842 BUTT	14" x 37 15/16"	12 9/16" x 36 25/64"	12 21/64" x 36 25/64"	13 25/64" x 36 25/64"
19" WIDE				
DGI-1912	15 1/8" x 7 15/16"	13 53/64" x 6 25/64"	13 53/64" x 6 25/64"	13 53/64" x 6 25/64"
DGI-1915	15 1/8" x 10 15/16"	13 53/64" x 9 25/64"	13 53/64" x 9 25/64"	13 53/64" x 9 25/64"
DGI-1918	15 1/8" x 13 15/16"	13 53/64" x 12 25/64"	13 53/64" x 12 25/64"	13 53/64" x 12 25/64"
DGI-1921	15 1/8" x 16 7/16"	13 53/64" x 14 57/64"	13 53/64" x 14 57/64"	13 53/64" x 15 57/64"
DGI-1924	15 1/8" x 20 5/16"	13 53/64" x 18 49/64"	13 53/64" x 18 49/64"	13 53/64" x 18 49/64"
DGI-1930	15 1/8" x 25 15/16"	13 53/64" x 24 25/64"	13 53/64" x 24 25/64"	13 53/64" x 24 25/64"
21" WIDE				
DGI-2118	17" x 13 15/16"	15 21/64" x 12 25/64"	15 21/64" x 12 25/64"	15 21/64" x 12 25/64"
DGI-2124	17" x 20 5/16"	15 21/64" x 18 49/64"	15 21/64" x 18 49/64"	15 21/64" x 18 49/64"
DGI-2130	17" x 25 15/16"	15 21/64" x 24 25/64"	15 21/64" x 24 25/64"	15 21/64" x 24 25/64"
DGI-2136	17" x 31 15/16"	15 21/64" x 30 25/64"	15 21/64" x 30 25/64"	15 21/64" x 30 25/64"
DGI-2139	17" x 34 15/16"	15 21/64" x 33 25/64"	15 21/64" x 33 25/64"	15 21/64" x 33 25/64"
DGI-2142	17" x 37 15/16"	15 21/64" x 36 25/64"	15 21/64" x 36 25/64"	15 21/64" x 36 25/64"

PARTS DIRECTORY: Drawer Front Dimensions

DRAWER FRONT DIMENSIONS		
PART NAME	Full Overlay	Partial Overlay
	Dimensions (W x H)	Dimensions (W x H)
STANDARD DRAWER FRONT		
DDF12	11 9/16" x 5 13/16"	9 7/8" x 5 1/8"
DDF15	14 9/16" x 5 13/16"	12 7/8" x 5 1/8"
DDF18	17 9/16" x 5 13/16"	15 7/8" x 5 1/8"
DDF18 DRILL	17 9/16" x 5 13/16"	15 7/8" x 5 1/8"
DDF19	19 1/16" x 5 13/16"	17 3/8" x 5 1/8"
DDF19 DRILL	19 1/16" x 5 13/16"	17 3/8" x 5 1/8"
DDF21	20 9/16" x 5 13/16"	18 7/8" x 5 1/8"
DDF21 DRILL	20 9/16" x 5 13/16"	18 7/8" x 5 1/8"
DDF24	23 9/16" x 5 13/16"	21 7/8" x 5 1/8"
DDF24 DRILL	23 9/16" x 5 13/16"	21 7/8" x 5 1/8"
DDF27	26 9/16" x 5 13/16"	24 7/8" x 5 1/8"
DDF27 DRILL	26 9/16" x 5 13/16"	24 7/8" x 5 1/8"
DDF30	29 9/16" x 5 13/16"	27 7/8" x 5 1/8"
DDF30 DRILL	29 9/16" x 5 13/16"	27 7/8" x 5 1/8"
DDF33	32 9/16" x 5 13/16"	30 7/8" x 5 1/8"
DDF33 DRILL	32 9/16" x 5 13/16"	30 7/8" x 5 1/8"
DDF36	35 9/16" x 5 13/16"	33 7/8" x 5 1/8"
DDF36 DRILL	35 9/16" x 5 13/16"	33 7/8" x 5 1/8"
DDFOV27	26 9/16" x 7 7/16"	-
DDFOV30	29 9/16" x 7 7/16"	-
DDFOV33	32 9/16" x 7 7/16"	-
LARGE DRAWER FRONT - FULL OVERLAY		
DDF12M	11 9/16" x 11 27/32"	-
DDF12VD	11 9/16" x 13 3/8"	-
DDF15M	14 9/16" x 11 27/32"	-
DDF15VD	14 9/16" x 13 3/8"	-
DDF18M	17 9/16" x 11 27/32"	-
DDF18VD	17 9/16" x 13 3/8"	-
DDF21M	20 9/16" x 11 27/32"	-
DDF21VD	20 9/16" x 13 3/8"	-
DDF24M	23 9/16" x 11 27/32"	-
DDF24VD	23 9/16" x 13 3/8"	-
DDF27M	26 9/16" x 11 27/32"	-
DDF30M	29 9/16" x 11 27/32"	-
DDF33M	32 9/16" x 11 27/32"	-
DDF36M	35 9/16" x 11 27/32"	-

DRAWER FRONT DIMENSIONS		
PART NAME	Full Overlay	Partial Overlay
	Dimensions (W x H)	Dimensions (W x H)
LARGE DRAWER FRONT - PARTIAL OVERLAY		
DDF12D	-	9 7/8" x 10 13/16"
DDF12D	-	9 7/8" x 10 13/16"
DDF15D	-	12 7/8" x 10 13/16"
DDF18D	-	15 7/8" x 10 13/16"
DDF21D	-	18 7/8" x 10 13/16"
DDF24D	-	21 7/8" x 10 13/16"
DDF27D	-	24 7/8" x 10 13/16"
DDF30D	-	27 7/8" x 10 13/16"
DDF33D	-	30 7/8" x 10 13/16"
DDF36D	-	33 7/8" x 10 13/16"
2DB DRAWER FRONT		
DDF21 2DB	20 9/16" x 14 27/32"	18 7/8" x 13 13/16"
DDF24 2DB	23 9/16" x 14 27/32"	21 7/8" x 13 13/16"
DDF27 2DB	26 9/16" x 14 27/32"	24 7/8" x 13 13/16"
DDF30 2DB	29 9/16" x 14 27/32"	27 7/8" x 13 13/16"
DDF33 2DB	32 9/16" x 14 27/32"	30 7/8" x 13 13/16"
DDF36 2DB	35 9/16" x 14 27/32"	33 7/8" x 13 13/16"
MISCELLANEOUS DRAWER FRONT		
DDFKDC27/21	20 9/16" x 4 7/16"	18 7/8" x 3 3/4"
DDFKDC33/27	26 9/16" x 4 7/16"	24 7/8" x 3 3/4"
DDFKDC36/33	32 9/16" x 4 7/16"	30 7/8" x 3 3/4"
DDF SDC	5 11/16" x 5 1/2" x 1/2"	5 11/16" x 5 1/2" x 1/2"

PARTS DIRECTORY: Accessories

MISCELLANEOUS PARTS & ACCESSORIES

HINGES	
Part Name	Description
HINGE 170 FRAMED	Door-to-frame hinge for BER, BSS, CAR or WER cabinet
HINGE ER	Door-to-door hinge for BER, BSS, CAR or WER cabinet
HINGE FOL 6WY 45	Hinge with 6-Way Adjustment for FOL Door Styles
HINGE FACEMOUNT 45	Hinge for Facemount Oven Applications
HINGE SOL 6WAY 45	Hinge with 6-Way Adjustment for POL Door Styles
HINGE TILT OUT 45	Hinge for Factory Installed Tilt Out Tray
HINGE FOL CC6WY 45	Hinge with 6-Way Adjustment and CushionClose for FOL Doors using the Shallow Cup
HINGE FOL CC6WY 45DP	Hinge with 6-Way Adjustment and CushionClose for FOL Doors using the Deep Cup
HINGE CCFACEMOUNT 45	Hinge with CushionClose for facemount Oven Applications
HINGE SOL CC6WAY 45	Hinge with 6-Way Adjustment and CushionClose for all POL Door Styles
HINGE CC ANG RES CLP	Door Opening Angle Restriction Clip, 86 Degrees (for use on Integrated CushionClose Hinges Only, 10 per pack)
HINGE CC COVER CAP	Door Cover Cap to hide Frame to Hinge Screw (for use on Integrated CushionClose Hinges only, 2 per pack)
HINGE SPACER SHIM	Spacer Shim installed between the Hinge and Face Frame, adds inward left/right adjustment (for use on all hinges as needed, 10 per pack)
HINGE KIT TRI-VIEW	Hinge Kit for Tri-View Mirror
PCSK HINGE	Center Hinge for PCSK36

GLIDES/TRACKS/CHANNELS FOR 24" DEEP BASE, 24" DEEP DESK OR DEEP ROLL OUT TRAYS	
Part Name	Description
CHANNEL SS1 L	Left channel for side-mount DROT, BPPOK, ROTDK
CHANNEL SS1 R	Right channel for side-mount DROT, BPPOK, ROTDK
GLIDE DROTCC24	Left CushionClose Glide for DROTCC, BPPOKCC, ROTDKCC
GLIDE DROTCCR24	Right CushionClose Glide for DROTCC, BPPOKCC, ROTDKCC
GLIDE FD CCL24	Left CushionClose Glide (24" deep Base/Desk)
GLIDE FD CCR24	Right CushionClose Glide (24" deep Base/Desk)
GLIDE FD NCL24	Left Full-Access Hidden Glide (24" deep Base/Desk)
GLIDE FD NCR24	Right Full-Access Hidden Glide (24" deep Base/Desk)
GLIDE HD CCL24	Left CushionClose Glide for 2 Drawer Base or Wastebasket Cabinets
GLIDE HD CCR24	Right CushionClose Glide for 2 Drawer Base or Wastebasket Cabinets
GLIDE HD FAL24	Left Full-Access Hidden Glide for Wastebasket Cabinets
GLIDE HD FAR24	Right Full-Access Hidden Glide for Wastebasket Cabinets
TRACK GA 21L	Left track for side-mount DROT, BPPOK, ROTDK
TRACK GA 21R	Right track for side-mount DROT, BPPOK, ROTDK

TRACKS/CHANNELS FOR 21" DEEP VANITY, 21" DEEP DESK OR VANITY LINEN	
Part Name	Description
CHANNEL V L	Left channel for 21" deep Vanity, Desk or Vanity Linen side-mount DROT
CHANNEL V R	Right channel for 21" deep Vanity, Desk or Vanity Linen side-mount DROT
GLIDE DROTCCVL21	Left CushionClose Glide for 21" deep Vanity, Desk or Vanity Linen DROTCC
GLIDE DROTCCRV21	Right CushionClose Glide for 21" deep Vanity, Desk or Vanity Linen DROTCC
GLIDE FD CCL VAN21	Left CushionClose Glide (21" deep Vanity/Desk)
GLIDE FD CCR VAN21	Right CushionClose Glide (21" deep Vanity/Desk)
GLIDE FD NCL VAN21	Left Full-Access Hidden Glide (21" deep Vanity/Desk)
GLIDE FD NCR VAN21	Right Full-Access Hidden Glide (21" deep Vanity/Desk)
GLIDE HD CCL21	Left CushionClose Glide for Desk/Vanity Wastebasket Cabinets
GLIDE HD CCR21	Right CushionClose Glide for Desk/Vanity Wastebasket Cabinets
GLIDE HD FAL21	Left Full-Access Glide for Desk/Vanity Wastebasket Cabinets
GLIDE HD FAR21	Right Full-Access Glide for Desk/Vanity Wastebasket Cabinets
TRACK V L	Left track for 21" deep Vanity, Desk, or Vanity Linen side-mount DROT
TRACK V R	Right track for 21" deep Vanity, Desk or Vanity Linen side-mount DROT

GLIDES FOR 18" DEEP VANITY & KNEEHOLE DRAWER CABINET	
Part Name	Description
GLIDE CCL FD18	Left CushionClose Glide (18" deep Vanity/Kneehole Drawer)
GLIDE CCR FD18	Right CushionClose Glide (18" deep Vanity/Kneehole Drawer)
GLIDE FD NCL18	Left Full-Access Hidden Glide (18" deep Vanity/Kneehole Drawer)
GLIDE FD NCR18	Right Full-Access Hidden Glide (18" deep Vanity/Kneehole Drawer)

TILT-OUT TRAY KITS (FIELD INSTALLED)	
Part Name	Description
STO/TO TRAY 11	Order (1) for SB18 - Order (2) for SB33 BUTT or SB36 BUTT
STO/TO TRAY 14	Order (1) for SB21, SB24, SB24 BUTT, SB27 BUTT or CSF42 Order (2) for SB39, SB42, or SB48
STO/TO TRAY 22	Order (1) for SB30 BUTT

SCREWS	
Part Name	Description
SCREW BOLT EXT RD FG	Bolt for RD extender
SCREW BRACKET DDF	Screw to attach DDF BRACKET _OL L Bracket to drawer fronts (2 per bracket)
SCREW BRACKET DRB	Screw to attach DDF BRACKET _OL L Bracket to drawer bodies (2 per bracket)
SCREW CHANNEL	Channel installation screw (1 per channel)
SCREW DDF	Drawer front installation screw
SCREW DDF 5PC	Screw for 5-piece drawer fronts
SCREW DDF SDC 7/8"	SDC drawer front installation screw (1 per drawer body)
SCREW EXTENDER RD	Screw for RD extender (1 per extender)
SCREW GLIDE FD	Adjustment screw for Full-Access Hidden Glide (1 per glide)
SCREW HINGE/DR	Hinge-to-door screw (2 per hinge)
SCREW HINGE/FR	Hinge-to-frame screw (1 per hinge)
SCREW NUT EXT RD FG	Nut for RD extender
SCREW TRACK	Track screw (2 per track)

MISCELLANEOUS PARTS & ACCESSORIES

CLIPS / BRACKETS	
Part Name	Description
BRACKET CHAN B	Back bracket for side-mount Deep Roll Out Tray
BRACKETDROT FRT MTL	Front bracket for GLIDE DROTCC__24
BRACKET GL B DROTAL	Left back bracket for DROT CushionClose Glides
BRACKET GL B DROTFR	Right back bracket for DROT CushionClose Glides
BRACKET GL B DROTUNI	Back bracket for CC DROT's in 24" deep cabinets (2 per DROT)
BRACKET GL PBC L FG	Left back bracket for Peninsula Base Corner (PBC) Full-Access Hidden Glide
BRACKET GL PBC R FG	Right back bracket for Peninsula Base Corner (PBC) Full-Access Hidden Glide
BRACKET GL BD RDL FG	Left back bracket for any bottom drawer using the GLIDE FD CCL__ W/EXT (excluding PB, PBC, 2DB)
BRACKET GL BD RDR FG	Right back bracket for any bottom drawer using the GLIDE FD CCR__ W/EXT (excluding PB, PBC, 2DB)
BRACKET GL BD UNI FG	Left/Right back bracket for any bottom drawer using the Full-Access Glide (excluding PB, PBC, 2DB)
BRACKET GL BD UNI FG	Left/Right back bracket for any bottom drawer using the GLIDE FD CC__ (excluding PB, PBC, 2DB)
BRACKET GL PB L FG	Left back bracket for Peninsula Base Full-Access Hidden Glide
BRACKET GL PB R FG	Right back bracket for Peninsula Base Full-Access Hidden Glide
BRACKET GL UD RDL FG	Left back bracket for any upper drawer(s) that uses the GLIDE FD CCL__ W/EXT (excluding PB, PBC, 2DB)
BRACKET GL UD RDR FG	Right back bracket for any upper drawer(s) that uses the GLIDE FD CCR__ W/EXT (excluding PB, PBC, 2DB)
BRACKET GL UD UNI FG	Left/Right back bracket for any upper drawer(s) that use the GLIDE FD CC__ (excluding PB, PBC, 2DB)
BRACKET RD DROT L FA	Left back bracket for reduced depth GLIDE DROTCCL__
BRACKET RD DROT R FA	Right back bracket for reduced depth GLIDE DROTCCR__
BRACKET RED DP REAR	Back bracket for reduced depth Side-Mounted Glide
BRACKET GLIDE HD BOT	Bottom bracket for 2 Drawer Base or Wastebasket Cabinets
CLIP HD DRB BACK L	Left back bracket for 2 Drawer Base or Wastebasket Cabinets
CLIP HD DRB BACK R	Right back bracket for 2 Drawer Base or Wastebasket Cabinets
CLIP DDF	Drawer front clip
CLIP LOCK 3/4 4 PK	Package of four locking shelf rests for Base and Tall cabinet shelves
CLIP MIRROR MCM FOL	Clip for MCM1530 Full Overlay Mirror door
CLIP MIRROR MCM SOL	Clip for MCM1530 Partial Overlay Mirror door
CLIP MIRROR TRIVIEW	Clip for TV3030/TV3630 Tri-View Mirror door
CLIP PILASTER	Shelf Rest for PSK36 Shelf & Pilaster Kit
CLIP REAR SHELF	Middle shelf rest for 30" or wider Wall cabinet shelf
CLIP SHELF NP SPIN	Locking shelf clip for NP Spin Units (Base 4 required, Wall 5 required)
DDF BRACKET FOL	DDF attachment bracket for Irvington, Mission Duraform w/ DFO and Warren w/ DFO drawer fronts and all FOL doors on the Wastebasket and File Pullout cabinets
DDF BRACKET CCAP FOL	Cover cap for DDF attachment bracket for Irvington, Mission Duraform w/ DFO and Warren w/ DFO door styles and all FOL doors on the Wastebasket and File Pullout cabinets
DDF BRACKET SOL	DDF attachment bracket for Cardiff drawer fronts and all POL doors on the Wastebasket and File Pullout cabinets
DDF BRACKET CCAP SOL	Cover cap DDF attachment bracket for Cardiff door styles and all POL doors on the Wastebasket and File Pullout cabinets
DDF BRACKET FOL OVEN	Oven DDF attachment bracket for Irvington, Mission Duraform w/ DFO and Warren w/ DFO door styles
DDF BKT CCAP FOL OVEN	Cover cap oven DDF attachment bracket for Irvington, Mission Duraform w/ DFO and Warren w/ DFO door styles
DDF BRACKET SOL OVEN	Oven DDF attachment bracket for Cardiff door styles
DDF BKT CCAP SOL OVEN	Cover cap oven DDF attachment bracket for Cardiff door styles

CLIPS / BRACKETS	
Part Name	Description
DRB MOUNT CLIP L FD	Left drawer release clip for Left Full-Access Hidden Glide
DRB MOUNT CLIP R FD	Right drawer release clip for Left Full-Access Hidden Glide
DRB MOUNT CLIP R FD	Right drawer release clip for Left Full-Access Hidden Glide
DROTFA MOUNT CLIP L	Left release clip for GLIDE DROTCC__24
DROTFA MOUNT CLIP R	Right release clip for GLIDE DROTCC__24
DRB HD MOUNT CLIP L	Left drawer release clip for 2 Drawer Base or Wastebasket Cabinets
DRB HD MOUNT CLIP R	Right drawer release clip for 2 Drawer Base or Wastebasket Cabinets
SHELF REST METAL 4PK	Package of four metal shelf rests for Wall or Bookshelf shelves
SHELF REST METAL 12	Package of twelve metal shelf rests for Wall or Bookshelf shelves
SHELF REST MFD PK	Package of eight shelf rests for Mullion Frame Door Wall cabinet shelves
SHELF SUPT ADJ BASE	Middle shelf rest for 27" or wider Base cabinet shelf
SPACER GL BD FRT FG	Left/Right front drawer clip for bottom drawer on VDB__34H & DB__ cabinets (excluding 2DB)
SPACER GL KDC FRT FG	Left/Right front drawer clip for KDC

WHITE PLASTIC SPIN SHELVES AND PARTS	
Part Name	Description
BSSCAR HUB RAS	With rollers, fits into shelf for pole attachment (1 required)
BSSCWSCAR BRKT RAS	Top and bottom mounting brackets (1 required)
BSSCWSCAR COLLAR ASM	Locking adjustable shelf collar for top shelf (1 required)
BSSCWSCAR T-SHAFT RA	Metal post on which shelves spin (1 required)
BSS33 SHELF RAS	White spin shelf for BSS33/BSS3336/BSS3633 (2 required)
BSS36 SHELF RAS	White spin shelf for BSS36 (2 required)
CAR SHELF RAS	White spin shelf for CAR36 (2 required)
CBS SHELF RAS	White spin shelf for CBS36 (2 required)
CWS HUB RAS	With rollers, fits into shelf for pole attachment (1 required)
CWS SHELF RAS	White spin shelf for CWS2430 (2 required)
BSS33 UNIT RAS	Entire plastic spin unit for BSS33
BSS36 UNIT RAS	Entire plastic spin unit for BSS36

WOOD SPIN SHELF UNITS FOR ALL PLYWOOD CONSTRUCTION - ADD "PLY" TO END OF SKU NAME	
Part Name	Description
BSS33 SHELF WD NP	Wood spin unit and shelf for BSS33 WD (2 required)
BSS3336 SHELF WD NP	Wood spin unit and shelf for BSS3336 WD (2 required)
BSS36 SHELF WD NP	Wood spin unit and shelf for BSS36 WD (2 required)
BSS3633 SHELF WD NP	Wood spin unit and shelf for BSS3633 WD (2 required)
CBS36 SHELF WD NP	Wood spin unit and shelf for CBS36 WD (2 required)
CWS24 SHELF WD NP	Wood spin unit and shelf for CWS2430 WD, CWS2436 WD, CWS2442 WD and CWDS2448 WD (2 required)

FLOATING SHELVES	
Part Name	Description
FLSH PLY MOUNT 24	Mounting strip for 24" wide Floating Shelf
FLSH PLY MOUNT 30	Mounting strip for 30" wide Floating Shelf
FLSH PLY MOUNT 36	Mounting strip for 36" wide Floating Shelf
FLSH PLY MOUNT 42	Mounting strip for 42" wide Floating Shelf
FLSH PLY MOUNT 48	Mounting strip for 48" wide Floating Shelf
FLSH MOUNT BRACKETS	Mounting brackets for Floating Shelves (screws included)

PARTS DIRECTORY: Accessories

MISCELLANEOUS PARTS & ACCESSORIES

MISCELLANEOUS SHELVING	
Part Name	Description
BS18 SHELF 1PK	Single Shelf for BSPLY18
BS18 SHELF 4PK	4 Pack Shelf Kit for BSPLY18
BS24 SHELF 1PK	Single Shelf for BSPLY24
BS24 SHELF 4PK	4 Pack Shelf Kit for BSPLY24
BS30 SHELF 1PK	Single Shelf for BSPLY30
BS30 SHELF 4PK	4 Pack Shelf Kit for BSPLY30
BS36 SHELF 1PK	Single Shelf for BSPLY36
BS36 SHELF 4PK	4 Pack Shelf Kit for BSPLY36
S369	Shelf for PSK36 Shelf & Pilaster Kit
SS24	Adjustable shelf for TB9
WCMSC2412 SHELF	Microwave shelf for WCMSC241236 BUTT
WCMSC2712 SHELF	Microwave shelf for WCMSC271236 BUTT
WMSC2712 SHELF	Microwave shelf for WMSC271236 BUTT
WMSC2718 SHELF	Microwave shelf for WMSC271836 BUTT/ WMSC271842 BUTT
WMSC3012 SHELF	Microwave shelf for WMSC301236

MISCELLANEOUS	
Part Name	Description
BASE CORNER BLOCK WD	Plywood corner block
BFP3 FRONT FILLER	Filler for BFP3 Base Filler Pull Out
BFP6 FRONT FILLER	Filler for BFP6 Base Filler Pull Out
BPP12 KIT	Kit for BPP12 Base Pull Out
BPP9 KIT	Kit for BPP9 Base Pull Out
BTDP9 KIT	Kit for BTDP9 Base Tray Divider Pull Out
BPPUS12 KIT	Kit for BPPUS12 Base Pull Out Utensil Storage
BPPUS9 KIT	Kit for BPPUS9 Base Pull Out Utensil Storage
BUMPER CLEAR	Door bumper (Strip of 4 bumpers)
BUMPER CLEAR 55	Door bumper (Strip of 55 bumpers)
BUMPER CLEAR DT	Door bumper for textured Duraform door styles (Strip of 4 bumpers)
BUMPER CLEAR DT 55	Door bumper for textured Duraform door styles (Strip of 55 bumpers)
BUMPER CLEAR DWR	Drawer bumper (Strip of 4 bumpers)
BWBB15 FH FOL KIT	Wastebasket kit for FOL BWBB15 FH
BWBB15 FH SOL KIT	Wastebasket kit for POL BWBB15 FH
BWBB15 FOL KIT	Wastebasket kit for FOL BWBB15
BWBB15 SOL KIT	Wastebasket kit for POL BWBB15
BWBB15-2 FOL KIT	Wastebasket kit for FOL BWBB15-2
BWBB15-2 SOL KIT	Wastebasket kit for POL BWBB15-2
BWBB18 FH FOL KIT	Wastebasket kit for FOL BWBB18 FH
BWBB18 FH SOL KIT	Wastebasket kit for POL BWBB18 FH
BWBB18-2 FOL KIT	Wastebasket kit for FOL BWBB18-2
BWBB18-2 SOL KIT	Wastebasket kit for POL BWBB18-2
BWBB21-2 FH FOL KIT	Wastebasket kit for FOL BWBB21-2 FH
BWBB21-2 FH SOL KIT	Wastebasket kit for POL BWBB21-2 FH
BWBB21-2 FOL KIT	Wastebasket kit for FOL BWBB21-2
BWBB21-2 SOL KIT	Wastebasket kit for POL BWBB21-2
COVER CAP 10MM TAN	Tan cover cap for cabinet backs (4 per pack)
COVER CAP 10MM WHT	White cover cap for cabinet backs (4 per pack)
DFDC FILE UNIT 21	File unit for DFDC1821
DFDC FILE UNIT 24	File unit for DFDC1824
DWBB1821 FOL KIT	Wastebasket kit for FOL DWBB1821
DWBB1821 SOL KIT	Wastebasket kit for POL DWBB1821
DWBB1824 FOL KIT	Wastebasket kit for FOL DWBB1824
DWBB1824 SOL KIT	Wastebasket kit for POL DWBB1824
FRAME SPACER BPP9	Unit stabilizer and frame spacer for BPP9, BPP12, BPPUS9, BPPUS12 & BTDP9

MISCELLANEOUS	
Part Name	Description
MAG CATCH TV BLK	Black magnetic catch for TV3030/TV3630 Tri-View Mirror
KNOB SDC	Wooden knob for SDC/BSDC6
LATCH TILT OUT TRAY	Replacement Latch for Factory Installed Tilt-Out Tray (1 required) (1 required per mirror)
MAG CATCH TV WHT	White magnetic catch for TV3030/TV3630 Tri-View Mirror (1 required per mirror)
MC SHELF HDW	Package of 4 shelf clips for MC/MCM cabinet
MIRROR TV3030	Mirror for TV3030
MIRROR TV3630	Mirror for TV3630
PDO21	Peg Dish Organizer for 21" 2 Drawer Base
PDO24	Peg Dish Organizer for 24" 2 Drawer Base
PDO27	Peg Dish Organizer for 27" 2 Drawer Base
PDO30	Peg Dish Organizer for 30" 2 Drawer Base
PDO33	Peg Dish Organizer for 33" 2 Drawer Base
PDO36	Peg Dish Organizer for 36" 2 Drawer Base
PEG KIT 4 PK	Package of 4 pegs for Peg Dish Organizer
PK36	Pilaster kit for PSK36 Shelf & Pilaster Kit
PULL TRIVIEW	Chrome pull for TV3030/TV3630 Tri-View Mirror
ROT DIVIDER KIT	Divider for ROTDK12/ROTDK15
ROT PROTECTOR	End plastic protector on Deep Roll Out Trays (2 required per DROT)
SDROT21	Scalloped Deep Roll Out Tray for DB21 2DWR
SDROT24	Scalloped Deep Roll Out Tray for DB24 2DWR
SDROT27	Scalloped Deep Roll Out Tray for DB27 2DWR
SDROT30	Scalloped Deep Roll Out Tray for DB30 2DWR
SDROT33	Scalloped Deep Roll Out Tray for DB33 2DWR
SDROT36	Scalloped Deep Roll Out Tray for DB36 2DWR
TRAY ST TILT OUT 11	Stainless Tray ONLY for Factory Installed Tilt-Out
TRAY ST TILT OUT 14	Stainless Tray ONLY for Factory Installed Tilt-Out
TRAY ST TILT OUT 22	Stainless Tray ONLY for Factory Installed Tilt-Out
TRAY TILT OUT 11	Plastic Tray ONLY for Factory Installed Tilt-Out
TRAY TILT OUT 14	Plastic Tray ONLY for Factory Installed Tilt-Out
TRAY TILT OUT 22	Plastic Tray ONLY for Factory Installed Tilt-Out
VWBB1834H FOL KIT	Wastebasket kit for FOL VWBB1834H
VWBB1834H SOL KIT	Wastebasket kit for POL VWBB1834H
WASTEBASKET 27QT SLV	Silver 27 quart wastebasket
WASTEBASKET 35QT SLV	Silver 35 quart wastebasket
WASTEBASKETT 50QT SLV	Silver 50 quart wastebasket
WOOD SPIN HOLE PLUG	Access hole plug for wood spin shelf on CBS and CWS cabinets
WTH DOOR STAY	One Door Stay for Wall Top Hinge cabinet (qty 2 per door)
WTH DR STAY DR BRK	One Door Bracket for WTH DOOR STAY (qty 2 per door)
WTH DR STAY FR BRK	One Frame bracket for WTH DOOR STAY (qty 2 per door)
WTH HEX KEY BAG	One Hex Key for WTH DOOR STAY

PARTS DIRECTORY: Replacement Drawer Reference Sheet

REPLACEMENT PARTS REFERENCE SHEET

REPLACEMENT PARTS FOR FULL-ACCESS 21" DEEP VANITY AND DESK DRAWERS

Part Name	Description
DRB__X 18DP DT FD	Small drawer body - release clips attached
DRB__M X 18DP DT FD	Large drawer body - release clips attached
GLIDE FD NCL VAN21	Left Full-Access Glide (qty 1 per drawer)
GLIDE FD NCR VAN21	Right Full-Access Glide (qty 1 per drawer)
BRACKET GL BD UNI FG	Back bracket for any bottom drawer (qty 2 per drawer)
BRACKET GL UD UNI FG	Back bracket for any upper drawer (qty 2 per drawer)
SCREW GLIDE FD	Screw to attach front clip for drawer (qty 2 per drawer)
DRB MOUNT CLIP L FD	Left drawer release clip for drawer glide - included with replacement drawer body (qty 1 per drawer)
DRB MOUNT CLIP R FD	Right drawer release clip for drawer glide - included with replacement drawer body (qty 1 per drawer)
SPACER GL BD FRT FG	Drawer clip for bottom drawer on VDB__34H cabinets only (qty 2 per drawer)

REPLACEMENT PARTS FOR CUSHIONCLOSE 21" DEEP VANITY AND DESK DRAWERS

Part Name	Description
DRB__X 18DP DT FD	Small drawer body - release clips attached
DRB__M X 18DP DT FD	Large drawer body - release clips attached
GLIDE FD CCL VAN21	Left CushionClose Glide (qty 1 per drawer)
GLIDE FD CCR VAN21	Right CushionClose Glide (qty 1 per drawer)
BRACKET GL BD UNI FG	Back bracket for any bottom drawer (qty 2 per drawer)
BRACKET GL UD UNI FG	Back bracket for any upper drawer (qty 2 per drawer)
SCREW GLIDE FD	Screw to attach front clip for drawer (qty 2 per drawer)
DRB MOUNT CLIP L FD	Left drawer release clip for drawer glide - included with replacement drawer body (qty 1 per drawer)
DRB MOUNT CLIP R FD	Right drawer release clip for drawer glide - included with replacement drawer body (qty 1 per drawer)
SPACER GL BD FRT FG	Drawer clip for bottom drawer on VDB__34H cabinets only (qty 2 per drawer)

REPLACEMENT PARTS FOR SIDE-MOUNTED 21" DEEP VLC DROT'S

Part Name	Description
DROT__21	Deep Roll Out Tray Kit (ships with ALL installation hardware)
CHANNEL V L	Left channel for roll out tray - attaches to cabinet (qty 1 per drawer)
CHANNEL V R	Right channel for roll out tray - attaches to cabinet (qty 1 per drawer)
TRACK V L	Left track for roll out tray - attaches to drawer body (qty 1 per drawer)
TRACK V R	Right track for roll out tray - attaches to drawer body (qty 1 per drawer)
BRACKET CHAN B	Back bracket for channel - attaches channel to cabinet (qty 2 per drawer)
SCREW CHANNEL	Channel screw - attaches channel to face frame (qty 2 per sliding shelf)
SCREW TRACK	Track screw - attaches track to drawer body (qty 4 per sliding shelf)

REPLACEMENT PARTS FOR 21" DEEP CUSHIONCLOSE VLC DROT'S

Part Name	Description
DROT__21	Deep Roll Out Tray Kit (ships with ALL installation hardware)
GLIDE DROT CCLVLC	Left CushionClose Glide (qty 1 per roll out tray)
GLIDE DROT CCRVLC	Right CushionClose Glide (qty 1 per roll out tray)
SCREW GLIDE CC	Attachment screws for front brackets (2 per roll out tray)
BRACKET RD DROT L FA	Left back bracket for DROT glide (qty 1 per roll out tray)
BRACKET RD DROT R FA	Right back bracket for DROT glide (qty 1 per roll out tray)
BRACKETDROT FRT MTL	Front bracket for drawer glide - will ship with attachment screws (qty 2 per roll out tray)
DROTFA MOUNT CLIP L	Left release clip for roll out tray
DROTFA MOUNT CLIP R	Right release clip for roll out tray

REPLACEMENT PARTS FOR 24" DEEP FULL-ACCESS BASE AND DESK DRAWERS

Part Name	Description
DRB__X 21DP DT FD	Small drawer body - release clips attached
DRB__M X 21DP DT FD	Large drawer body - release clips attached
GLIDE FD NCL24	Left Full-Access Hidden Glide (qty 1 per drawer)
GLIDE FD NCR24	Right Full-Access Hidden Glide (qty 1 per drawer)
BRACKET GL BD UNI FG	Back bracket for any bottom drawer (qty 2 per drawer)
BRACKET GL UD UNI FG	Back bracket for any upper drawer (qty 2 per drawer)
SCREW GLIDE FD	Screw to attach front clip for drawer (qty 2 per drawer)
DRB MOUNT CLIP L FD	Left drawer release clip for drawer glide - included with replacement drawer body (qty 1 per drawer)
DRB MOUNT CLIP R FD	Right drawer release clip for drawer glide - included with replacement drawer body (qty 1 per drawer)
SPACER GL BD FRT FG	Drawer clip for bottom drawer on DB__ cabinets only (qty 2 per drawer)

REPLACEMENT PARTS FOR 24" DEEP CUSHIONCLOSE BASE AND DESK DRAWERS

Part Name	Description
DRB__X 21DP DT FD	Small drawer body - release clips attached
DRB__M X 21DP DT FD	Large drawer body - release clips attached
GLIDE FD CCL24	Left CushionClose Glide (qty 1 per drawer)
GLIDE FD CCR 24	Right CushionClose Glide (qty 1 per drawer)
BRACKET GL BD UNI FG	Back bracket for any bottom drawer (qty 2 per drawer)
BRACKET GL UD UNI FG	Back bracket for any upper drawer (qty 2 per drawer)
SCREW GLIDE FD	Screw to attach front clip for drawer (qty 2 per drawer)
DRB MOUNT CLIP L FD	Left drawer release clip for drawer glide - included with replacement drawer body (qty 1 per drawer)
DRB MOUNT CLIP R FD	Right drawer release clip for drawer glide - included with replacement drawer body (qty 1 per drawer)
SPACER GL BD FRT FG	Drawer clip for bottom drawer on DB__ cabinets only (qty 2 per drawer)

REPLACEMENT PARTS FOR SIDE-MOUNTED 24" DEEP DROT'S/BPPOK'S/ROTDK'S

Part Name	Description
DROT__	Track screw - attaches track to drawer body (qty 4 per sliding shelf)
CHANNEL SSIL	Left channel for roll out tray - attaches to cabinet (qty 1 per drawer)
CHANNEL SSIR	Right channel for roll out tray - attaches to cabinet (qty 1 per drawer)
TRACK GA 21L	Left track for roll out tray - attaches to drawer body (qty 1 per drawer)
TRACK GA 21R	Right track for roll out tray - attaches to drawer body (qty 1 per drawer)
BRACKET CHAN B	Back bracket for channel - attaches channel to cabinet (qty 2 per drawer)
SCREW CHANNEL	Channel screw - attaches channel to face frame (qty 2 per sliding shelf)
SCREW TRACK	Track screw - attaches track to drawer body (qty 4 per sliding shelf)

REPLACEMENT PARTS FOR 24" DEEP CUSHIONCLOSE DROT'S/BPPOK'S/ROTDK'S

Part Name	Description
DROT__	Deep Roll Out Tray Kit (ships with ALL installation hardware)
GLIDE DROT CCL24	Left CushionClose Glide (qty 1 per roll out tray)
GLIDE DROT CCR24	Right CushionClose Glide (qty 1 per roll out tray)
SCREW GLIDE CC	Attachment screws for front brackets (2 per roll out tray)
BRACKET GL B DROTUNI	Back bracket for drawer glide (qty 2 per roll out tray)
BRACKETDROT FRT MTL	Front bracket for drawer glide - will ship with attachment screws (qty 2 per roll out tray)
DROTFA MOUNT CLIP L	Left release clip for roll out tray
DROTFA MOUNT CLIP R	Right release clip for roll out tray

PARTS DIRECTORY: Replacement Drawer Reference Sheet

REPLACEMENT PARTS REFERENCE SHEET

REPLACEMENT PARTS FOR FULL-ACCESS KNEEHOLE DRAWERS

Part Name	Description
DRBKDC_X 15DP DT FD	Drawer body - release clips attached
GLIDE FD NCL18	Left Full-Access Hidden Glide (qty 1 per drawer)
GLIDE FD NCR18	Right Full-Access Hidden Glide (qty 1 per drawer)
BRACKET GL UD UNI FG	Back bracket (qty 2 per drawer)
SCREW GLIDE FD	Screw to attach front clip for drawer (qty 2 per drawer)
DRB MOUNT CLIP L FD	Left drawer release clip for drawer glide - included with replacement drawer body (qty 1 per drawer)
DRB MOUNT CLIP R FD	Right drawer release clip for drawer glide - included with replacement drawer body (qty 1 per drawer)

REPLACEMENT PARTS FOR CUSHIONCLOSE KNEEHOLE DRAWERS

Part Name	Description
DRBKDC_X 15DP DT FD	Small drawer body - release clips attached
GLIDE FD CCL18	Left CushionClose Glide (qty 1 per drawer)
GLIDE FD CCR 18	Right CushionClose Glide (qty 1 per drawer)
BRACKET GL UD UNI FG	Back bracket (qty 2 per drawer)
SCREW GLIDE FD	Screw to attach front clip for drawer (qty 2 per drawer)
DRB MOUNT CLIP L FD	Left drawer release clip for drawer glide - included with replacement drawer body (qty 1 per drawer)
DRB MOUNT CLIP R FD	Right drawer release clip for drawer glide - included with replacement drawer body (qty 1 per drawer)

REPLACEMENT PARTS FOR WASTEBASKET WITH FULL-ACCESS GLIDES

Part Name	Description
BWBB ___ _OL KIT	Base Bottom Mounted Wastebasket Kit (includes all installation items)
DWBB18 ___ _OL KIT	Desk Bottom Mounted Wastebasket Kit (includes all installation items)
VWBB1834H ___ _OL KIT	Vanity Bottom Mounted Wastebasket Kit (includes all installation items)
GLIDE HD FAL21	Left Full-Access Heavy Duty Glide for DWBB1821, VWBB1834H (qty 1 per pullout)
GLIDE HD FAL24	Left Full-Access Heavy Duty Glide for BWBB ___, DWBB1824 (qty 1 per pullout)
GLIDE HD FAR21	Right Full-Access Heavy Duty Glide for DWBB1821, VWBB1834H (qty 1 per pullout)
GLIDE HD FAR24	Right Full-Access Heavy Duty Glide for BWBB ___, DWBB1824 (qty 1 per pullout)
CLIP HD DRB BACK L	Left back clip for wastebasket pullout (qty 1 per glide)
CLIP HD DRB BACK R	Right back clip for wastebasket pullout (qty 1 per glide)
SCREW GLIDE FD	Screw that attaches glide brackets to front face frame of cabinet (qty 1 per glide)
SCREW TRACK	Screw that attaches the door to the drawer box using "L" brackets (qty 2 per bracket)
SCREW BRACKET DDF	Attaches "L" bracket to drawer front (qty 2 per bracket)
SCREW BRACKET DRB	Attaches "L" bracket to drawer box (qty 2 per bracket)
BRACKET GLIDE HD BOT	Heavy Duty Glide back bracket - mounts to cabinet floor (qty 1 per glide)
DDF BRACKET FOL	Metal "L" bracket for FOL door attachment (qty 4 per door)
DDF BRACKET CCAP FOL	Plastic "L" bracket cover cap for DDF BRACKET FOL (qty 1 per bracket)
DDF BRACKET SOL	Metal "L" bracket for POL door attachment (qty 4 per door)
DDF BRACKET CCAP SOL	Plastic "L" bracket cover cap for DDF BRACKET POL (qty 1 per bracket)
WASTEBASKET 27QT SLV	Silver 27 quart wastebasket
WASTEBASKET 35QT SLV	Silver 35 quart wastebasket
WASTEBASKET 50QT SLV	Silver 50 quart wastebasket

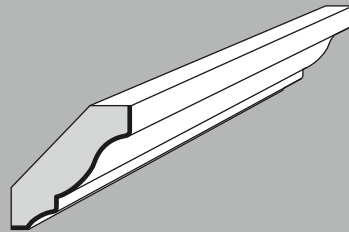
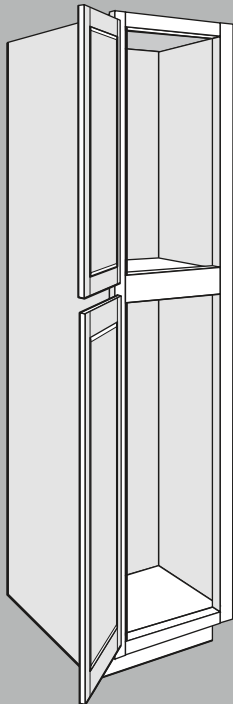
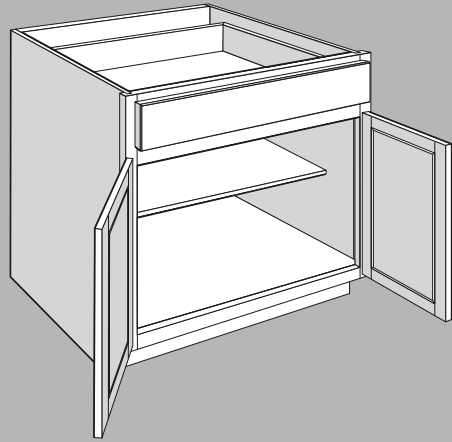
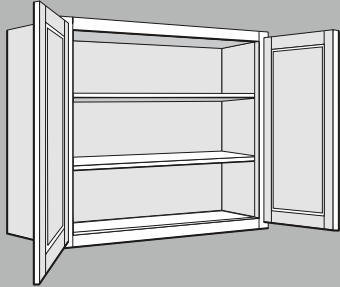
REPLACEMENT PARTS FOR WASTEBASKET WITH CUSHIONCLOSE GLIDES

Part Name	Description
BWBB ___ _OL KIT	Base Bottom Mounted Wastebasket Kit (includes all installation items)
DWBB18 ___ _OL KIT	Desk Bottom Mounted Wastebasket Kit (includes all installation items)
VWBB1834H ___ _OL KIT	Vanity Bottom Mounted Wastebasket Kit (includes all installation items)
GLIDE HD CCL21	Left CushionClose Heavy Duty Glide for DWBB1821, VWBB1834H (qty 1 per pullout)
GLIDE HD CCR21	Right CushionClose Heavy Duty Glide for DWBB1821, VWBB1834H (qty 1 per pullout)
GLIDE HD CCL24	Left CushionClose Heavy Duty Glide for BWBB ___, DWBB1824 (qty 1 per pullout)
GLIDE HD CCR24	Right Cushion Close Heavy Duty Glide for BWBB ___, DWBB1824 (qty 1 per pullout)
CLIP HD DRB BACK L	Left back clip for wastebasket pullout (qty 1 per glide)
CLIP HD DRB BACK R	Right back clip for wastebasket pullout (qty 1 per glide)
SCREW GLIDE FD	Screw that attaches glide brackets to front face frame of cabinet (qty 1 per glide)
SCREW TRACK	Screw that attaches the door to the drawer box using "L" brackets (qty 2 per bracket)
SCREW BRACKET DDF	Attaches "L" bracket to drawer front (qty 2 per bracket)
SCREW BRACKET DRB	Attaches "L" bracket to drawer box (qty 2 per bracket)
BRACKET GLIDE HD BOT	Heavy Duty Glide back bracket - mounts to cabinet floor (qty 1 per glide)
DDF BRACKET FOL	Metal "L" bracket for FOL door attachment (qty 4 per door)
DDF BRACKET CCAP FOL	Plastic "L" bracket cover cap for DDF BRACKET FOL (qty 1 per bracket)
DDF BRACKET SOL	Metal "L" bracket for POL door attachment (qty 4 per door)
DDF BRACKET CCAP SOL	Plastic "L" bracket cover cap for DDF BRACKET SOL (qty 1 per bracket)
WASTEBASKET 27QT SLV	Silver 27 quart wastebasket
WASTEBASKET 35QT SLV	Silver 35 quart wastebasket
WASTEBASKET 50QT SLV	Silver 50 quart wastebasket

REPLACEMENT PARTS FOR TWO DRAWER BASE DRAWERS

Part Name	Description
DRB ___ HD X 21DPDTFD	Drawer body - release clips attached
GLIDE HD CCL24	Left CushionClose Glide (qty 1 per drawer)
GLIDE HD CCR24	Right CushionClose Glide (qty 1 per drawer)
CLIP HD DRB BACK L	Left back bracket for drawer glide (qty 1 per drawer)
CLIP HD DRB BACK R	Right back bracket for drawer glide (qty 1 per drawer)
BRACKET GL HD BOT	Bottom bracket for glide (qty 2 per drawer)
SCREW GLIDE FD	Screw to attach front clip for drawer (qty 2 per drawer)
DRB HD MOUNT CLIP L	Left drawer release clip for drawer glide - included with replacement drawer body (qty 1 per drawer)
DRB HD MOUNT CLIP R	Right drawer release clip for drawer glide - included with replacement drawer body (qty 1 per drawer)

Index



	SKU	Spec
A		
Accent Turned Foot	ATF	158
Accent Turned Foot, Full Round	ATF-FR	158
Accessible Height Option	AH	39
Adaptable Sink Base Kit	ASB___KIT	98
Adjustable Drawer Divider Kit	ADDIK___	103
Adjustable Shelf Kit	S/SK___	124, 141
All Plywood Construction Option	APC	38
Angle Crown Molding	ACM8	144
Angle Crown Molding Duraform Textured	ACM8 DT	144
Angled Corbel	AS12___	154
Angled Outside Corner Molding	AOSC8	148
Asymmetrical Base Easy Reach	BER___	90
Asymmetrical Base Super Susan with Wood Spin Units	BSS___WD	90
B		
Base Bookshelf	BSPLY2434	113
Base Cabinet Construction	-	25
Base Cabinet Decorator Matching Doors	DMDB	165
Base Cabinet Dimensions	-	28
Base Cabinet Four Deep Roll Out Trays	B___4T	79
Base Cabinet No Drawer	TB9	80
Base Cabinet One Vertical Deep Roll Out Tray	B___FWT	77
Base Cabinet Six Deep Roll Out Trays	B45___6T	80
Base Cabinet Three Deep Roll Out Trays	B45___3T	80
Base Cabinet Tray Divider Pull-Out	BTDP9	81
Base Cabinet Two Horizontal Deep Roll Out Trays	B___2T	79
Base Cabinet Two Vertical Deep Roll Out Trays	B___2FWT	74
Base Cabinet Two Vertical Deep Roll Out Trays	B___2FWT	77
Base Cabinet with 1 Door and Factory Installed Drawer Organizers	B___	76
Base Cabinet with 2 Doors and Factory Installed Drawer Organizers	B___BUTT___	78
Base Cabinet with Cutting Board Door Rack Kit	B18 CDR	75
Base Cabinet with Factory Installed Roll-Out Tray Divider	B___ROTD	74
Base Cabinet with Plastic Bag Door Storage Kit	B___PBDSU	75
Base Cabinet, 1 Factory Installed Wastebasket	BWBB15	75
Base Cabinet, 2 Factory Installed Wastebaskets	BWBB___-2	75
Base Cabinet, Standard with 2 Butt Doors	B___	77
Base Cabinet, Standard with Center Stile	B___	78
Base Cabinet, Standard with One Door	B___	74
Base Cabinet, with 3 Doors	B45	79
Base Column Filler	B___C___	171
Base Corner Filler	BCF27	170
Base Easy Reach	BER___	89
Base End Angle Decorator Matching Door	DMDBEA12	166
Base End Angle	BEA___FH	100
Base Filler Pull-Out	BFP___	101
Base Microwave Cabinet	BMC___	100
Base Mixer Lift Kit	BMLK18	104
Base Oven Cabinet Universal	BOCU___	101
Base Pantry Pull-Out	BPP___	82
Base Plumbing Skirt	BPS___UD	97
Base Pot & Pan Organizer Kit	BPPOK___	104
Base Pot and Pan Organizer Cabinet	B___BPPO	74, 77
Base Recycling Kit	BR2B15	105
Base Spice Drawer Cabinet	BSDC6	99
Base Square Foot	BSQF	158
Base Square Leg	BSQL	158
Base Super Susan with Wood Spin Units	BSS___WD	89
Base Tapered Leg	BTPL	158
Base Toe Kick	BTK8	172

	SKU	Spec
Base Turned Leg	BTL	158
Base Utensil Storage Pull-Out	BPPUS__	82
Base Wine Rack Cabinet	BWRC6	99
Batten Molding	BM8	148
Batten Molding Duraform Textured	BM8 DT	148
Blind Corner Base Installation Chart		94
Blind Corner Base	BLB__	92
Blind Corner Closure	BLC1515	72, 108, 165
Blind Peninsula Corner Base	PBC__	88
Blind Wall Cabinet	BLW__	58
Blind Wall Cabinet Dimensions	-	59
Blind Wall Cabinet Installation Chart	-	59
C		
Cabinet Angle Molding	CAM8	148
Cabinet Care	-	22
Cabinet Front Only Option	CFO	38
Cabinet Specifications	-	21
Cabinet Tray Divider	TD3	106, 124
Ceiling Height Requirements	-	31
Chair Rail Molding	CR8	145
Chantilly Decorative Foot	CDF	159
Chantilly Decorative Leg	CDL	159
Chantilly Furniture Leg	CFL	159
Classic Baseboard Molding	CLBM8	146
Classic Molding Stack	MS CLASSIC ____	151
Classic Trim Molding	CLTM8	146
Cleaning Caddy Pullout Kit	CCPOK	106
Clear Decorative Glass Insert	DGI-__CLEAR	50
Cleat	HWC__	172
Construction Comparison Chart	-	39
Construction Option Examples	-	36
Construction Option Legend	-	36
Construction Options	-	35
Contemporary Trim Molding	CTM8	144
Contemporary Trim Molding Duraform Textured	CTM8 DT	144
Corner Appliance Garage	AG__	64
Corner Base Carousel	CAR36 WD	91
Corner Base with Wood Spin Units	CBS36 WD	91
Corner Sink Base	CSB36	95
Corner Sink Front	CSF__	99
Corner Wall Cabinets	CW__	60
Corner Wall	WCW__	61
Cover Caps	COVER CAP	172
Crown Molding - Builder	CM8 BLD	149
Crown Molding	CM8	144
Crown Valance	V__ CR	152
Curved Corbel	CS12__	154
CushionClose	-	43
Cutting Board Door Rack Kit	CBDRK18	107
D		
Decorative Cove Molding	DCVM8	144
Decorative Glass Clips	CLIP DGI__	51
Decorative Hardware	KNOB/PULL	175
Decorative Inside Corner Molding	ICM8	148
Decorative Items	-	161
Deep Roll Out Tray 4 Pack Kit, Utility	DROT____-4K	125
Deep Roll Out Tray 4 Pack Kit, Vanity Linen	DROT____21-4K	141
Deep Roll Out Tray Kit	DROT__	103, 125, 141

	SKU	Spec
Deep Sink/Range Base Cabinet	DSB__	95
Derbyshire Decorative Glass	DGI-__DERBYSHIRE	50
Desk Cabinet Decorator Matching Doors	DMDD__	166
Desk Cabinet Dimensions	-	29
Desk Cabinet with Wastebasket Pull-Out, 21" Deep	DWBB1821__	110
Desk Cabinet with Wastebasket Pull-Out, 24" Deep	DWBB1824__	110
Desk Door Cabinet, 21" Deep	DDO__21	110
Desk Door Cabinet, 24" Deep	DDO__24	110
Desk Drawer Cabinet, 21" Deep	DDR__21	111
Desk Drawer Cabinet, 24" Deep	DDR__24	111
Desk End Panel	DEP	114, 139, 162
Desk File Pull-Out Cabinet, 21" Deep	DFDC1821__	111
Desk File Pull-Out Cabinet, 24" Deep	DFDC1824__	111
Dishwasher Return	DWR3	162
Door Species & Characteristics	-	23
Door Style Collections	-	3
Double Oven Cabinet, 1 Drawer	OVD__ BUTT	122
Double Oven Cabinet, 1 Large Drawer	OVD__ BUTT 1DDWR	123
Double Oven Cabinet, 2 Drawers	OVD__ BUTT 2DWR	123
Drawer Base Cabinet Dimensions	-	28
Drawer Base Cabinet w/ Peg Dish Organizer and Scalloped Tray	DB__ 2DWR SFWT PDO	85
Drawer Base Cabinet w/ Scalloped Tray	DB__ 2DWR SFWT	84
Drawer Base Cabinet w/Peg Dish Organizer	DB__ 2DWR PDO	84
Drawer Base Cabinet with Factory Installed Drawer Accessory	DB__	86
Drawer Base Cabinet, 2 Drawers	DB__ 2DWR	84
Drawer Base Cabinet, 3 Drawers	DB__	85
Drawer Base Cabinet, 4 Drawers	DB__ 4DWR	85
Drawer Work Surface	DWS21	103
Dummy Drawer Front Fastener	DDF FASTENER	173
E		
Edge Branding	EDGE BAND__	174
Environmentally Responsible Stewardship	-	20
F		
Filler, Plain Box	WPB__	70
Fillers	-	161
Finished Shelf	FS__	72
Finishing System Specifications	-	22
Flat Panel Arched Valance	V__ FP	152
Floating Shelf	FLSH__	71, 113
Fluted Beaded Filler Extension	FBF E3__	170
Fluted Beaded Filler	FBF__	170
Frosted Ash Decorative Glass Insert	DGI-__FROSTED ASH	50
Frosted Decorative Glass Insert	DGI-__FROSTED	50
Full-Access Hidden Glides System	-	26
Full Height Blind Base with Pull-Out Kit	BLB__ FH POK	93
Full-Height Base Cabinet with Tray Divider and Shelf	TB9 TDS	80
Full-Height Base Cabinet, 1 Factory Installed Wastebasket	BWBB__ FH	82
Full-Height Base Cabinet, 2 Butt Doors	B__ FH	83
Full-Height Base Cabinet, 2 Factory Installed Wastebaskets	BWBB21-2 FH	82
Full-Height Base Cabinet	B__ FH	80
Full-Height Base w/Four Deep Roll Out Trays	B__ FH __4FWT	80, 83
Full-Height Base w/Two Deep Roll Out Trays	B__ FH __2FWT	80, 83
Full-Height Blind Base with Swing-Out Kit	BLB__ FH SOK__	93
Full-Height Blind Base	BLB__ FH	92
Full-Height Peninsula Base	PB__ FH	87
Furniture Drawer Cabinet	FD__	83, 111, 139
Furniture Ends Option	FE	44

	SKU	Spec
G		
Glass Shelf Kit	GSK__	72
Grooved End Panel	_EP__ GROOVED	163
H		
Hardware, Decorative	KNOB/PULL	175
Hardware Specifications	-	26
Heat Shield Kit	HSK	108, 127
Hinge Restriction Clip	HINGE CC ANG RES CLP	173
Hinges	-	26
I		
Impression Decorative Glass Insert	DGI-__IMPRESSION	50
Increased Depth Cabinet Option	ID	42
Inset Light Rail Molding	ILR8	146
Inside Corner Molding Duraform Textured	QM8 DT	148
Inside Corner Molding	QM8	148
Installation Guidelines	-	32
Inverted Frame Cabinet Option	IF	39
K		
KCMA Certification	-	20
Kneehole Drawer Cabinet	KDC__	111, 139
L		
Large Cove Molding Duraform Textured	LCVM8 DT	144
Large Cove Molding	LCVM8	144
Large Finley Corbel	FC312	155
Large Narrow Cove Corbel	CC212	154
Large Prairie Corbel	PC312	155
Large Rosette Corbel	RC313	156
Large Valencia Corbel	VC312	155
Library Light Rail Molding	LBM8	146
M		
Matching Interior Cabinet Option	MI	44
Medicine Cabinet	MC/MCM__	138
Medium Cove Corbel	CC49	154
Medium Finley Corbel	FC49	155
Medium Narrow Cove Corbel	CC29	154
Medium Prairie Corbel	PC49	155
Medium Rosette Corbel	RC49	156
Medium Valencia Corbel	VC49	155
Meredith Decorative Glass Insert	DGI-__MEREDITH	50
Metal Cove Corbel	METAL COVE 212__	156
Metal Emerson Corbel	METAL EMERSON 27__	156
Microwave Wall	WMC__	57
Mirror Molding	MM8	145
Modern Molding Stack	MS MODERN ____	149
Mullion Frame Door	MFD	48
O		
Ogee Molding	OGE8	145
Ogee Pilaster Molding	OGP8	146
Open Frame Door	OFD	47
Outside Corner Molding Duraform Textured	OTCM8 DT	148
Outside Corner Molding	OTCM8	148
Oven Cabinet, Single	OVS__	119
Overlay Dimensions	-	34
Overlay Filler	_OF__	168

	SKU	Spec
P		
Panels	-	161
Pantry Door Shelf Kit	PDSK18	126
Pantry Swing Out Kit	PCSK36	125
Parker Decorative Foot	PDF	159
Parker Decorative	PDL	159
Parker Furniture Leg	PFL	159
Parts Directory	-	185
Pedestal Drawer Cabinet	PD__	84
Peninsula Base Cabinet	PB__	87
Plain Box Filler	WPB__	171
Plastic Bag Door Storage Unit	PBDSU__	108
Plinth Block - 3"	_B3X4 PLINTH	157
Plinth Block - 3"	_B3X4 PLINTH	157
Plinth Block - 6"	_B6X6 PLINTH	157
Plinth Block - 6"	_B6X6 PLINTH	157
Plywood Ends Option	PE	38
Premium Finish Cabinet Option	-	37
Prepped for Glass Decorative Insert	PREPPED	51
Putty Stick	PUTTY STICK	174
Q		
Quarter Round Molding	QR8	148
R		
Raised Panel Arched Valance	V__ RP	153
Range Hood Blower	RHVENT__	70
Range Hood Chimney	RHC__	67
Range Hood, Raised Panel	RH__ RP	67
Range Hood, Straight Valance	RH__ SV	67
Recessed Toe Kick Option	RTK	42
Reduced Depth Cabinet Option	RD	41
Refrigerator Return Panel	RR__	164
Ribbed Decorative Glass Insert	DGI__ RIBBED	51
Roll-Out Tray Divider Kit	ROTD__	104
Rosette Block - 3"	_B3X3 ROSETTE	157
S		
Screws, Installation	SCREW	172
Scribe Molding Duraform Textured	SM8 DT	148
Scribe Molding	SM8	148
Scribe Molding	SM10	148
Shaker Accent Molding	SAM	147
Shaker Chair Rail Molding	SQCR8	145
Shaker Insert Molding	SIM8	145
Shaker Mirror Molding	SMM8	145
Shaker Valance	V__ SH	153
Shelf, Adjustable	S/SK__	124, 141
Shelf End Wall, Round Top and Bottom	SEW__	64
Shelf End Wall, Square Top and Bottom	SEW__ SQT	64
Shelf End Wall, Square Top and Round Bottom	SEW__ SQT	64
Shelf, Floating	FLSH__	71, 113
Shelf Rests	-	26
Shelf Rests	SHELF REST	172
Shoe Molding	SHM8	148
Shoe Molding	SHM8 DT	148
Side-Mounted Drawer Glides	-	26
Single Bead Accent Molding	SBAM8	147
Single Bead Insert Molding	SBIM8	145
Single Bead Molding	SBM8	147
Single Oven Cabinet, with 2 Butt Doors, 4 Drawers	OVS__ BUTT 4DWR	122

	SKU	Spec
Single Oven Cabinet, with 4 Butt Doors, 1 Drawer	OVS__ BUTT 1DWR	120
Single Oven Cabinet, with 4 Butt Doors, 1 Drawer & Pot & Pan Organizer	OVS__ BUTT 1DWR __BPP0	120
Single Oven Cabinet, with 4 Butt Doors, 2 Drawers	OVS__ BUTT 2DWR	121
Single Oven Cabinet, with 4 Butt Doors, 2 Drawers, Pot & Pan Organizer	OVS__ BUTT 2DWR __BPP0	121
Single Oven Cabinet, with Base Pot & Pan Organizer	OVS__ BUTT BPP0	119
Sink Base Door Storage Unit	SBDSU__	107
Sink Base Mat	SBMAT__	106
Sink Base Multi-Storage Cabinet	SBMS__ BUTT STO	97
Sink Base Multi-Storage Kit	SBMS__ KIT	107
Sink Base Multi-Storage Shelf	SBMSS	107
Sink Base with One Factory Installed Tilt-Out Tray(s)	SB__ STO	96, 97
Sink/Cooktop Base Cabinet	SB__	96
Sink/Cooktop Front	SF__	98
Sink/Vanity Front Floor	FL__	163
Sink/Vanity Front Return	SFR	162
Sliding Towel Bar	STB	106
Small Cove Corbel	CC36	154
Small Cove Molding	SCVM8	144
Small Cove Molding	SCVM8 DT	144
Small Finley Corbel	FC36	155
Small Narrow Cove Corbel	CC26	154
Small Prairie Corbel	PC36	155
Small Rosette Corbel	RC36	156
Small Single Bead Molding	SSBM8	147
Small Traditional Light Rail Molding	STLR8	146
Small Valencia Corbel	VC36	155
Soffit Crown Molding	SCM8	144
Specialty Door Availability	-	46
Specialty Door Option	SD	45
Spice Drawer Cabinet	SDC__	62
Spice Rack Kit	SRK__	71
Split Post	SPLT POST80 P	160
Spray Stain	SPRAY STAIN	173
Square Inset Light Rail Molding	SQILR8	146
Stain	STAIN	174
Stainless Tilt-Out Tray Kit	STO TRAY	108
Starter Molding	STRM8	147
Stem Glass Holder	SGH36U	71
Stock, 3-Sided Molding	MSS3S__	147
Stock, 3-Sided	S3S__ DT	147
Stock, 4-Sided	S4S__	147
Storage Cube	SC__	63, 112
Straight Appliance Garage	AGS__	64
Straight Valance	V__ S	153

T

Tall Bookshelves	BSPLY__	112
Tall Cabinet Decorator Matching Doors	DMDT__	167
Tall Cabinet Dimensions	-	30
Tall Column Filler	T__C__	171
Tapered Foot	TPF	158
Textured Finished Shelf	FS__	72
Textured Overlay Filler	__OF__ DT	168
Tilt-Out Tray Kit	STO TRAY__	139
Touchup Marker	TU MARKER	174
Traditional Classic Crown Molding	TCCM8	144
Traditional Split Block	SPLT BLOCK26	160
Traditional Valance	V__ T	153
Transitional Molding Stack	MS TRANSITIONAL ____	150
Tri-View Mirror	TV__	138

	SKU	Spec
U		
Universal Filler Extension	UF E3__	167
Universal Filler	UF__	167
Utility Cabinet, 12" Deep	UT__ 12 X __	116
Utility Cabinet, 12" Deep, with Adjustable Shelves	UT__ 12 X __ AS	117
Utility Cabinet, 24" Deep	UT__ 24 X __	116
Utility Cabinet, 24" Deep, with Adjustable Shelves	UT__ 24 X __ AS	117
Utility Cabinet, 24" Deep, with Pantry Storage	UT3624 X __ PCDS BUTT	118
Utility Cabinet Shelf & Pilaster Kit	PSK36	126
Utility Cabinet with Deep Roll Out Trays	UT____4ROT	118
V		
Valances	V__	152
Valet Cabinet	VC2436 BUTT	138
Vanity Adaptable Sink Base Kit	ASB__ 32 KIT	137
Vanity Base Cabinet with Wastebasket Pull-Out, 34 1/2" High	VWBB1834H__	130
Vanity Base, One Door	VB__	130
Vanity Base, Two Butt Doors	VB__ BUTT	130
Vanity Base with Full-Height Door, 34 1/2" High	VB__ 34H FH	131
Vanity Cabinet Decorator Matching Doors	DMDV	166
Vanity Cabinet Dimensions	-	29
Vanity Combo Sink Base, 31 1/8" High	VSDB__	135
Vanity Combo Sink Base, 34 1/2" High	VSDB__ 34H	135
Vanity Drawer Base, 31 1/8" High	VDB__	131
Vanity Drawer Base, 34 1/2" High	VDB__ 34H	131
Vanity Linen Cabinet	VLC__	140
Vanity Linen Cabinet, with Adjustable Shelves	VLC__ AS	140
Vanity Linen Cabinet, with Deep Roll Out Trays	VLC__ DROT	140
Vanity Plumbing Skirt	VPS__ UD	137
Vanity Sink Base, 31 1/8" High	VSDB/VAN__	132
Vanity Sink Base, 34 1/2" High	VSDB/VAN__ 34H	132
Vanity Sink Front, 31 1/8" High	VSF__	138
Void Door Cabinet Option	VDO	40
Void Top Drawer Option	VTD	40
W		
Wall Bookshelves	BSPLY__	112
Wall Cabinet Construction	-	24
Wall Cabinet Dimensions	-	27
Wall Cabinet, Standard	W__	54
Wall Cabinet with Spice Rack	W__ SR	56
Wall Column Filler	W__ C__	171
Wall Easy Reach	WER__	61
Wall End Angle Cabinet	WEA12__	62
Wall Microwave Cabinet, with Shelf	WMSC__	57
Wall Range Hood, Classic Tapered	WRH__ CT	65
Wall Range Hood, Decorative Mantle	WRH__ DM	65
Wall Range Hood, Straight Valance	WRH__ SV	65
Wall Top Hinge Cabinet	WTH__	56
Warranty Information	-	2
Wastebasket Unit	WBU15	105
Wide Batten Molding	WBM8	148
Wine Rack Cabinet	WRC__	63
Wine Rack	WR36	71
Wine Storage Cabinet	WSC__	63
Wood End Panel	__EP__	163
Wood Tall End Panel	WTEP__	164

DOOR STYLE	SPECIES	SKU
Breckenridge POL	Maple	313463
Breckenridge POL	Painted	313463
Breckenridge POL	Duraform	146235
Breckenridge FOL	Cherry	313463
Breckenridge FOL	Painted	313463
Breckenridge FOL	Maple	313463
Breckenridge FOL	Duraform	313463
Breckenridge w/DFO FOL	Cherry	313463
Breckenridge w/DFO FOL	Painted	313463
Breckenridge w/DFO FOL	Maple	313463
Breckenridge w/DFO FOL	Duraform	313463
Cardiff	Duraform	89248
Cardiff w/DFO	Duraform	89248
Cottage	Painted	89248
Cottage	Maple	89248
Edgeworth	Cherry	313462
Edgeworth	Painted	520959
Edgeworth	Maple	520959
Edgeworth	Duraform RTF	146235
Edgeworth w/DFO	Cherry	313462
Edgeworth w/DFO	Painted	520959
Edgeworth w/DFO	Maple	520959
Glasson	Painted	313463
Glasson	Maple	313463
Glasson w/DFO	Painted	313463
Glasson w/DFO	Maple	313463
Irvington	Cherry	313462
Irvington	Painted	313463
Irvington	Maple	313463
Irvington	Duraform	313463
Irvington w/DFO	Cherry	313462
Irvington w/DFO	Painted	313463
Irvington w/DFO	Maple	313463
Irvington w/DFO	Duraform	313463
McKinley	Cherry	313462
McKinley	Painted	520959
McKinley	Maple	520959
Mission	Cherry	313462
Mission	Painted	313463
Mission	Maple	313463
Mission w/DFO	Cherry	313462
Mission w/DFO	Painted	313463
Mission w/DFO	Maple	313463
Mission w/DFO	Textured Duraform	313463
Stemson	Painted	520959
Stemson	Maple	520959
Stemson w/DFO	Painted	520959
Stemson w/DFO	Maple	520959
Sydney	Maple	313462
Sydney	Cherry	313462
Sydney	Painted	313462
Sydney	Duraform	313462
Sydney	Textured Duraform	313462
Warren	Painted	313463
Warren	Maple	313463
Warren w/DFO	Painted	313463
Warren w/DFO	Maple	313463

DOOR STYLE	SPECIES	SKU
Breckenridge POL	Maple	800021
Breckenridge POL	Painted	800021
Breckenridge POL	Duraform	800019
Breckenridge FOL	Cherry	800018
Breckenridge FOL	Painted	800021
Breckenridge FOL	Maple	800021
Breckenridge FOL	Duraform	800021
Breckenridge w/DFO FOL	Cherry	800018
Breckenridge w/DFO FOL	Painted	800021
Breckenridge w/DFO FOL	Maple	800021
Breckenridge w/DFO FOL	Duraform	800021
Cardiff	Duraform	800019
Cardiff w/DFO	Duraform	800019
Cottage	Painted	800019
Cottage	Maple	800019
Edgeworth	Cherry	800021
Edgeworth	Painted	800022
Edgeworth	Maple	800022
Edgeworth	Duraform RTF	800022
Edgeworth w/DFO	Cherry	800020
Edgeworth w/DFO	Painted	800022
Edgeworth w/DFO	Maple	800022
Glasson	Painted	800021
Glasson	Maple	800021
Glasson w/DFO	Painted	800021
Glasson w/DFO	Maple	800021
Irvington	Cherry	800018
Irvington	Painted	800019
Irvington	Maple	800019
Irvington	Duraform	800019
Irvington w/DFO	Cherry	800019
Irvington w/DFO	Painted	800019
Irvington w/DFO	Maple	800019
Irvington w/DFO	Duraform	800019
McKinley	Cherry	800020
McKinley	Painted	800021
McKinley	Maple	800021
Mission	Cherry	800018
Mission	Painted	800019
Mission	Maple	800019
Mission w/DFO	Cherry	800018
Mission w/DFO	Painted	800019
Mission w/DFO	Maple	800019
Mission w/DFO	Textured Duraform	800019
Stemson	Painted	800022
Stemson	Maple	800022
Stemson w/DFO	Painted	800022
Stemson w/DFO	Maple	800022
Sydney	Maple	800019
Sydney	Cherry	800018
Sydney	Painted	800022
Sydney	Duraform	800021
Sydney	Textured Duraform	800019
Warren	Painted	800021
Warren	Maple	800021
Warren w/DFO	Painted	800021
Warren w/DFO	Maple	800021

Store Support

877-569-3774

M-F: 8:00 am – 8:00 pm EST

Sat: 10:00 am – 2:00 pm EST

customer@shenandoahcabinetry.com

©2023 American Woodmark Corporation ShenandoahCabinetry.com
 ©2023 Lowe's. LOWE'S and Gable Mansard Design are trademarks of LF, LLC.
 All are used with permission.

Printed in U.S.A. 8/23 6.5M AWL98309

