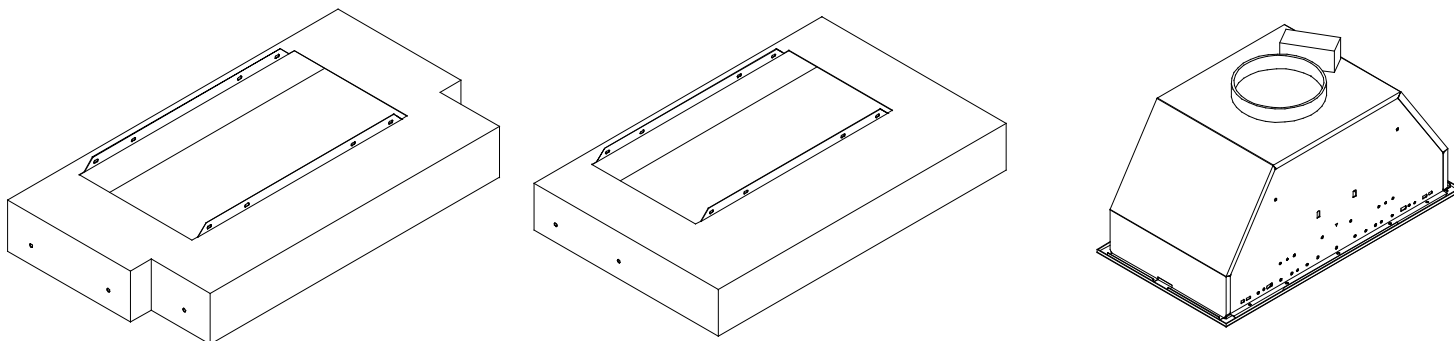




Range Hood Liner and Power Module Installation

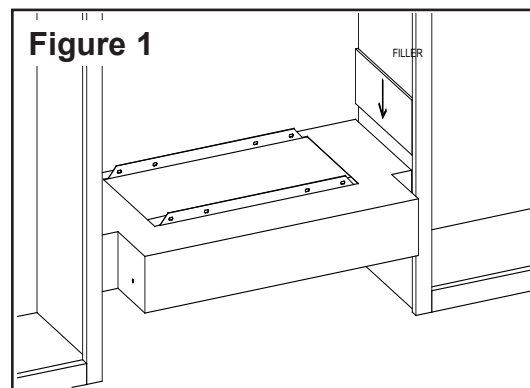


Important Notes

- Always read the instructions completely and carefully before beginning assembly.
- Remove and check contents for damage and/or missing parts. Keep the original cartons and packing materials, which are required for any authorized adjustment by our dealers.
- These instructions are for reference only. Make sure installation procedures comply with all applicable building codes in your area.

Installation Instructions

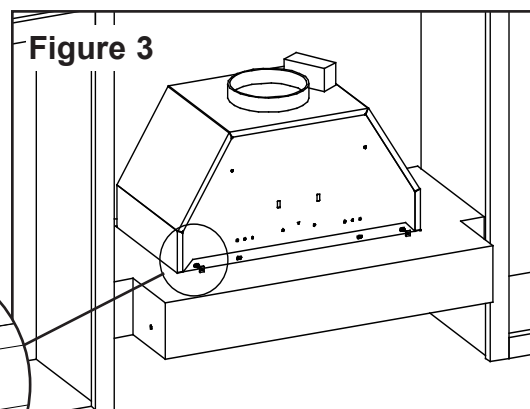
Step 1: Secure the Range Hood Liner to the wall and cabinets. A distance of 22 inches from the stove top to the wood hood is recommended. Check local building codes and regulations for final determination. (If the metal liner is not flush to the cabinet sidewalls, it may be necessary to use a filler piece to avoid bowing the liner.)



Warning: Failure to fasten the Liner securely may result in possible injury.

Step 2: Remove the filters and face plate from the Power Module. See the instruction sheet with your power module.

Step 3: Put the Power Module into the RH Liner from below. Insert 4 8-32 machine screws (Included) from inside the Power Module into the 4 holes that line up with the holes in the RH Liner flange. (See figure 3).

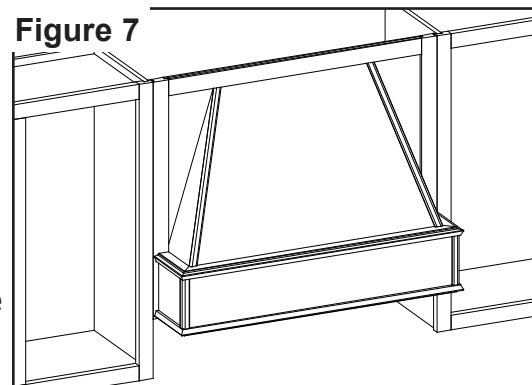


Step 4: Thread the nuts on to the machine screws and tighten (shims of an appropriate thickness and material may need to be used between the Power Module and the RH Liner flange to avoid distorting the Power Module).

Step 5: After all the screws have been tightened make the proper electrical and ventilation connections in accordance with all building codes for your location.

Step 6: Reinstall the face plate and filters and confirm that the Power module is functioning properly.

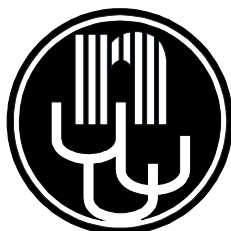
Step 7: Install the Range Hood or Cabinets around the Liner and Power Module. (See figure 7).



Omega National Products Power Modules

RHVPF10	250 CFM	2 Speed
RHVBB20	390 CFM	3 Speed
RHVBB30	500 CFM	3 Speed
RHVBH2	Inline/ Exterior Mount Blower Housing	

These Power Modules can be used with the Omega National Products liners and can be purchased through Omega National Products or one of our Distributors.



Omega National

P R O D U C T S

1010 Rowe St. Elkhart, IN 46516
(574) 295-5353 Fax (800) 367-3329
www.omeganationalproducts.com

10-0530-02 VS-43

Form OME-069, 09/2008
©Omega National Products