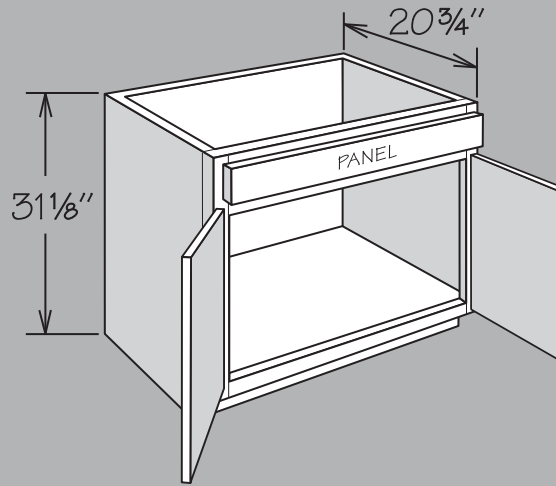


Vanity Cabinets



Dimensions

Width	Height	Depth
12" to 60"	31 1/8" to 84"	18" to 20 3/4" (Reduced Depth optional on select cabinets)

SKU Coding

VSB	36	BUTT
Cabinet Type (e.g., VSB=Vanity Sink Base)	Width in Inches	Door Type

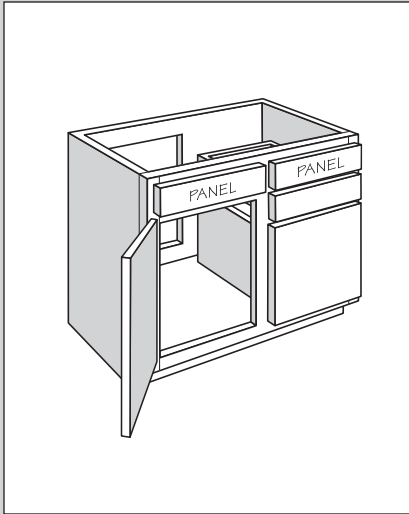
Construction Options & Modifications

APCAll Plywood Construction
CFO Cabinet Front Only
FE Furniture Ends
MI Matching Interior
PE Plywood Ends
RD Reduced Depth
RTK Recessed Toe Kick

Specialty Door (SD) Cabinet Options

MFD Mullion Frame Door
OFD Open Frame Door

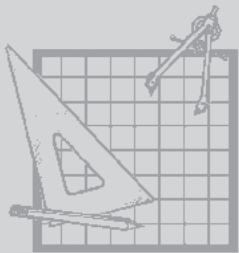
**31 1/8" Standard Height
Vanity Cabinets**



Standard Height Vanity cabinets are 31 1/8" high, 12" to 60" wide and 18" or 20 3/4" deep.

Single door Standard Height Vanity cabinets are hinged left and can be reversed in the field.

Inset toe kick construction requires BTK8 matching toe kick - must be ordered separately.

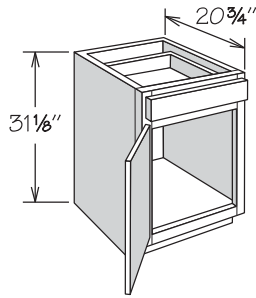


Refer to sink manufacturer's specifications for adequate clearance and required installation materials.

When placing a Standard Height Vanity Sink Base cabinet in a design, select a cabinet at least 3" wider than the sink to allow for installation clips. Review manufacturer's specifications for dimensions and adequate clearance requirements.

Vanity Base

1 Door, 1 Drawer • 31 1/8" High



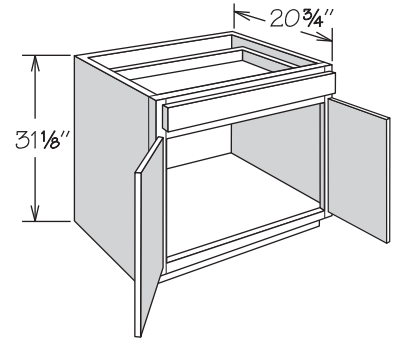
VB12
VB15
VB18
VB21

APC
CFO
FE
PE
RD
RTK

- No shelf
- Not drilled for adjustable shelf

Vanity Base

2 Butt Doors, 1 Drawer • 31 1/8" High



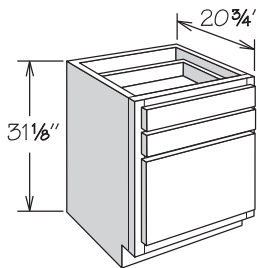
VB24 BUTT
VB27 BUTT
VB30 BUTT
VB33 BUTT
VB36 BUTT

APC
CFO
FE
PE
RD
RTK

- No shelf
- Not drilled for adjustable shelf

Vanity Drawer Base

3 Drawers • 31 1/8" High



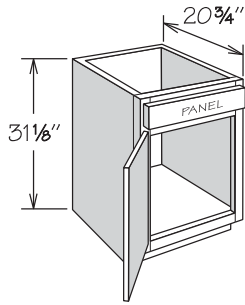
VDB12
VDB15
VDB18
VDB21
VDB24

APC
CFO
FE
PE
RD
RTK

- One large and two standard drawers

Vanity Sink Base

1 Door, 1 Panel • 31¹/₈" High



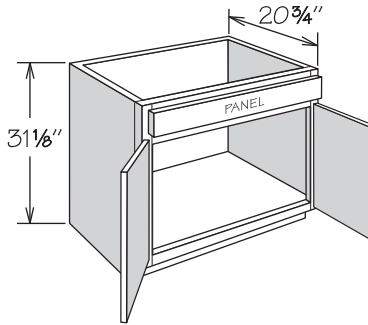
VSB15
VSB18
VSB21

APC
CFO
FE
PE
RD
RTK

- No shelf
- Subtract 1¹/₂" from depth and width for available sink bowl opening

Vanity Sink Base

2 Butt Doors, 1 Panel • 31¹/₈" High



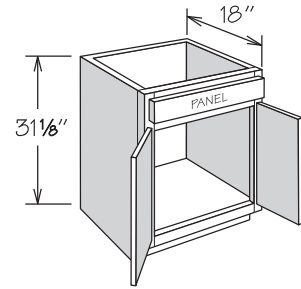
VSB24 BUTT
VSB27 BUTT
VSB30 BUTT
VSB33 BUTT
VSB36 BUTT

APC
CFO
FE
PE
RD
RTK

- No shelf
- Subtract 1¹/₂" from depth and width for available sink bowl opening

Vanity Sink Base - 18" Deep

2 Butt Doors, 1 Panel • 31¹/₈" High



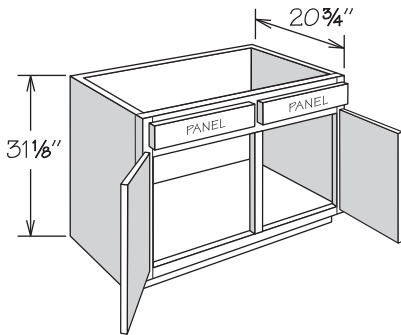
VSB2418 BUTT
VSB3018 BUTT
VSB3618 BUTT

APC
CFO
FE
PE
RD
RTK

- No shelf
- Subtract 1¹/₂" from depth and width for available sink bowl opening

Vanity Sink Base

2 Doors, 2 Panels • 31¹/₈" High



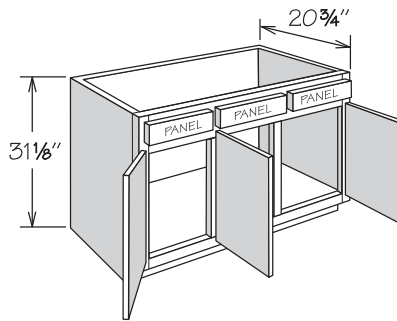
VSB39
VSB42

APC
CFO
FE
PE
RD
RTK

- No shelf
- Subtract 1¹/₂" from depth and width for available sink bowl opening

Vanity Sink Base

3 Doors, 3 Panels • 31¹/₈" High



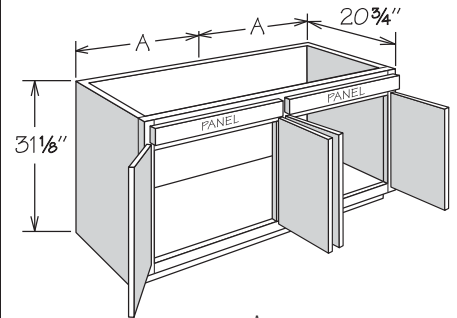
VSB48

APC
CFO
FE
PE
RD
RTK

- No shelf
- Subtract 1¹/₂" from depth and width for available sink bowl opening
- Hinged as shown - center door may be reversed in field

Vanity Sink Base

4 Butt Doors, 2 Panels • 31¹/₈" High



	A
VSB54 BUTT	27"
VSB60 BUTT	30"

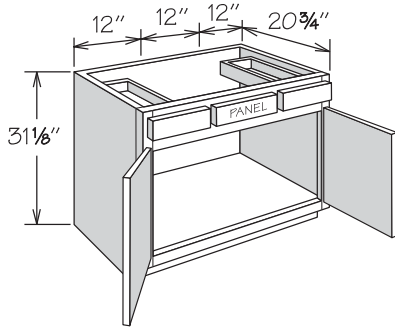
VSB54 BUTT
VSB60 BUTT

APC
CFO
FE
PE
RD
RTK

- No shelf
- Subtract 1¹/₂" from depth and dimension A for available sink bowl openings

Vanity Sink Base

2 Butt Doors, 2 Drawers • 31 1/8" High



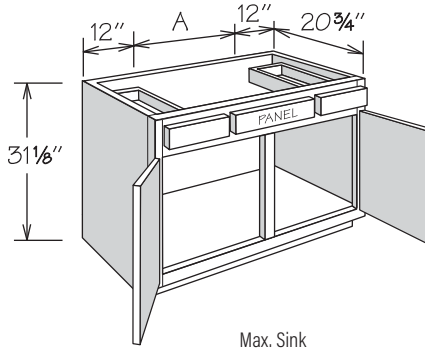
VAN36 BUTT

APC
CFO
FE
PE
RD
RTK

- No shelf
- Top drawer on each side of sink bowl opening
- Subtract 1/2" from depth for available sink bowl opening
- Maximum sink opening is 18"

Vanity Sink Base

2 Doors, 2 Drawers • 31 1/8" High



	Max. Sink Opening	
	A	
VAN39	15"	18"
VAN42	18"	21"

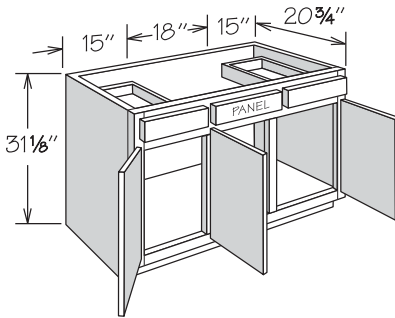
VAN39
VAN42

APC
CFO
FE
PE
RD
RTK

- No shelf
- Top drawer on each side of sink bowl opening
- Subtract 1/2" from depth for available sink bowl opening

Vanity Sink Base

3 Doors, 2 Drawers • 31 1/8" High



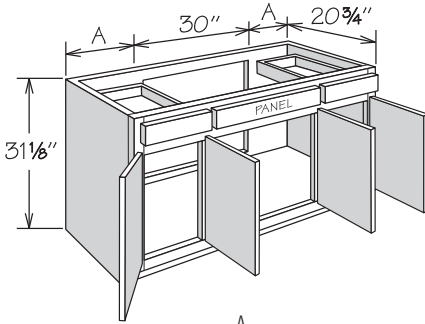
VAN48

APC
CFO
FE
PE
RD
RTK

- No shelf
- Top drawer on each side of sink bowl opening
- Subtract 1/2" from depth for available sink bowl opening
- Hinged as shown - center door may be reversed in field
- Maximum sink opening is 21"

Vanity Sink Base

4 Doors, 2 Drawers • 31 1/8" High



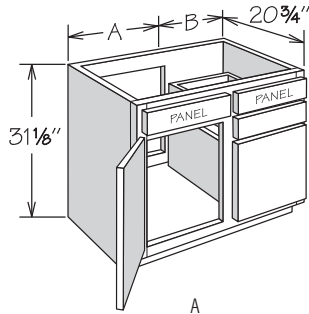
	A
VAN54 BUTT	12"
VAN60 BUTT	15"

VAN54 BUTT
VAN60 BUTT

APC
CFO
FE
PE
RD
RTK

- No shelf
- Features Butt doors at sink bowl opening
- Top drawer on each side of sink bowl opening
- Subtract 1/2" from depth for available sink bowl opening
- Maximum sink opening is 33"
- Open area for plumbing access

Vanity Combo Sink Base
1 Door, 2 Drawers • 31 1/8" High

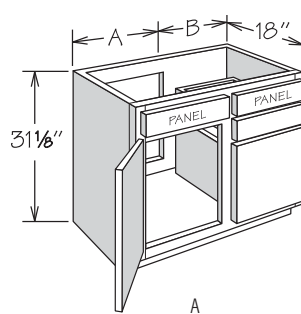


	A	B
VSDB24	12"	12"
VSDB27	15"	12"
VSDB30	18"	12"
VSDB33	21"	12"
VSDB36	21"	15"

VSDB24	VSDB33	APC
VSDB27	VSDB36	CFO
VSDB30		FE
		PE
		RD
		RTK

- No shelf
- Open area for plumbing access
- Allow for plumbing placement to clear drawers
- Drawers available on right or left side (please specify)
- Cabinet shown is right indicating drawers on the right side of the cabinet
- Subtract 1 1/2" from depth and overall cabinet width for available sink bowl opening

Vanity Combo Sink Base 18" Deep
1 Door, 2 Drawers • 31 1/8" High

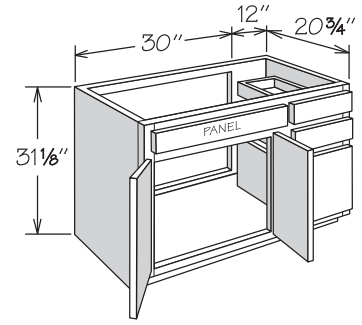


	A	B
VSDB2418	12"	12"
VSDB2718	15"	12"
VSDB3018	18"	12"
VSDB3318	21"	12"
VSDB3618	21"	15"

VSDB2418	VSDB3318	APC
VSDB2718	VSDB3618	CFO
VSDB3018		FE
		PE
		RD
		RTK

- No shelf
- Open area for plumbing access
- Allow for plumbing placement to clear drawers
- Drawers available on right or left side (please specify)
- Cabinet shown is right indicating drawers on the right side of the cabinet
- Subtract 1 1/2" from depth and overall cabinet width for available sink bowl opening

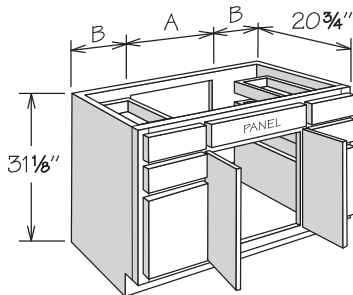
Vanity Combo Sink Base
2 Butt Doors, 3 Drawers • 31 1/8" High



VSDB42 BUTT	APC
	CFO
	FE
	PE
	RD
	RTK

- No shelf
- Open area for plumbing access
- Allow for plumbing placement to clear drawers
- Drawers available on right or left side (please specify)
- Cabinet shown is right indicating drawers on the right side of the cabinet
- Subtract 1 1/2" from depth and 30" dimension for available sink bowl opening
- Requires off-center sink bowl opening

Vanity Combo Sink Base
2 Butt Doors, 6 Drawers • 31 1/8" High

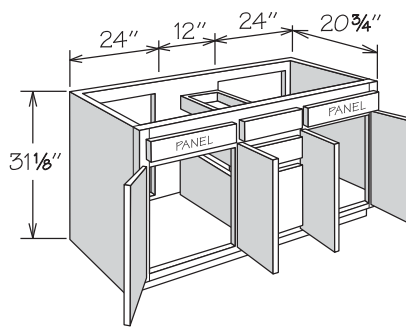


	A	B
VSDB48D BUTT	24"	12"
VSDB54D BUTT	24"	15"
VSDB60D BUTT	30"	15"

VSDB48D BUTT	APC
VSDB54D BUTT	CFO
VSDB60D BUTT	FE
	PE
	RD
	RTK

- No shelf
- Open area for plumbing access
- Subtract 1 1/2" from depth and dimension A for available sink bowl opening

Vanity Combo Sink Base
4 Butt Doors, 3 Drawers • 31 1/8" High

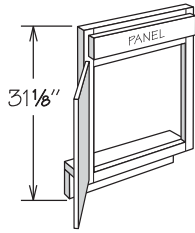


VSDB60C BUTT	APC
	CFO
	FE
	PE
	RD
	RTK

- No shelf
- Open area for plumbing access
- Subtract 1 1/2" from depth and each 24" dimension for available sink bowl openings

Vanity Sink Front

1 Door, 1 Panel • 31 1/8" High

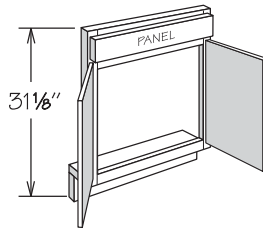


VSF21

- Vanity Sink Front not trimmable
- Order floors and returns separately (trimming may be required) – refer to Panel Section for availability

Vanity Sink Front

2 Butt Doors, 1 Panel • 31 1/8" High

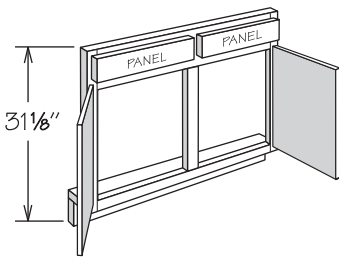


VSF24 BUTT
VSF30 BUTT
VSF36 BUTT

- Vanity Sink Front not trimmable
- Order floors and returns separately (trimming may be required) – refer to Panel Section for availability

Vanity Sink Front

2 Doors, 2 Panels • 31 1/8" High

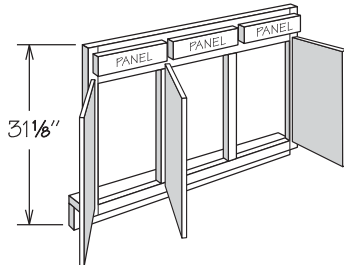


VSF39
VSF42

- Vanity Sink Front not trimmable
- Order floors and returns separately (trimming may be required) – refer to Panel Section for availability

Vanity Sink Front

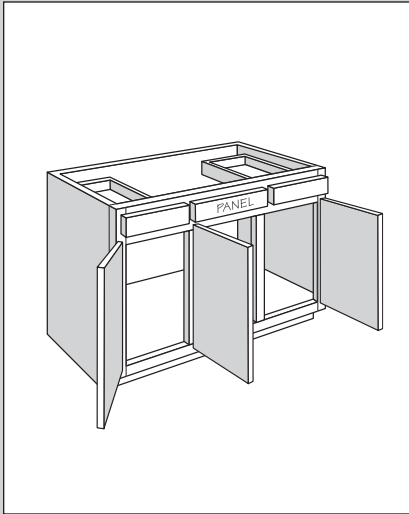
3 Doors, 3 Panels • 31 1/8" High



VSF48

- Vanity Sink Front not trimmable
- Hinged as shown – center door may be reversed in field
- Order floors and returns separately (trimming may be required) – refer to Panel Section for availability

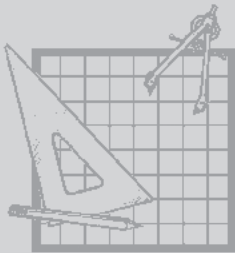
**34½" Base Height
Vanity Cabinets**



Base Height Vanity cabinets are 34½" high, 12" to 60" wide and 18" or 20¾" deep.

Single door Base Height Vanity cabinets are hinged left and can be reversed in the field.

Inset toe kick construction requires BTK8 matching toe kick - must be ordered separately.

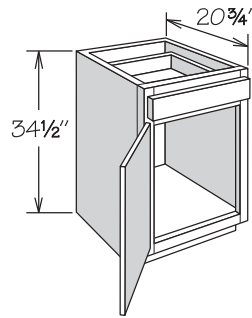


Check sink manufacturer's specifications for adequate clearance and required installation materials.

When placing a Base Height Vanity Sink Base cabinet in a design, select a cabinet at least 3" wider than the sink to allow for installation clips. Review manufacturer's specifications for dimensions and adequate clearance requirements.

Vanity Base

1 Door, 1 Drawer • 34½" High

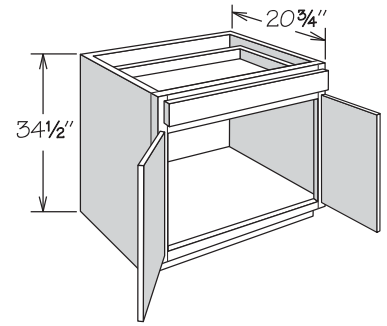


VB1234H	APC
VB1534H	CFO
VB1834H	FE
VB2134H	PE
	RD
	RTK

- No shelf
- Not drilled for adjustable shelf

Vanity Base

2 Butt Doors, 1 Drawer • 34½" High

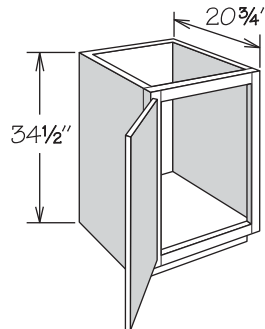


VB2434H BUTT	APC
VB2734H BUTT	CFO
VB3034H BUTT	FE
VB3334H BUTT	PE
VB3634H BUTT	RD
	RTK

- No shelf
- Not drilled for adjustable shelf

Vanity Base

1 Full-Height Door • 34½" High

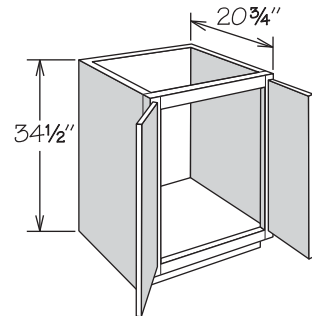


VB1234H FH	APC
VB1534H FH	CFO
VB1834H FH	FE
VB2134H FH	PE
	RD
	RTK

- Full-height door
- No shelf
- Not drilled for adjustable shelf

Vanity Base

2 Full-Height Butt Doors • 34½" High

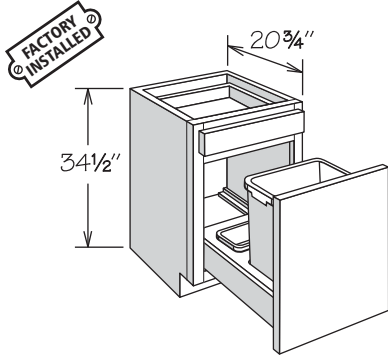


VB2434H BUTT FH	APC
VB3034H BUTT FH	CFO
VB3634H BUTT FH	FE
	PE
	RD
	RTK

- Full-height doors
- No shelf
- Not drilled for adjustable shelf

Vanity Wastebasket

1 Bottom Mount Wastebasket • 34½" High



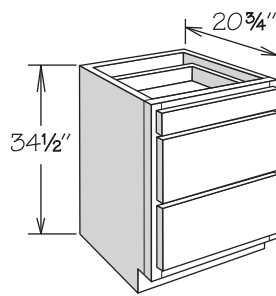
VWBB1834H

APC
FE
PE
RTK

- Features one silver plastic 35-quart capacity bin
- Wastebasket rests in a natural finish wood frame
- Includes bag storage tray at rear
- Decorative hardware strongly recommended
- Storage tray NOT dishwasher safe
- Features heavy-duty 132-pound rated glides

Vanity Drawer Base

3 Drawers • 34½" High



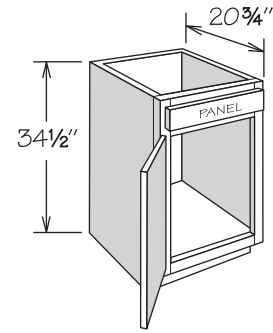
VDB1234H
VDB1534H
VDB1834H
VDB2134H
VDB2434H

APC
CFO
FE
PE
RD
RTK

- One standard and two large drawers

Vanity Sink Base

1 Door, 1 Panel • 34½" High



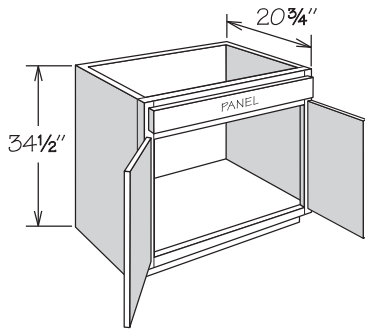
VSBI534H
VSB1834H
VSB2134H

APC
CFO
FE
PE
RD
RTK

- No shelf
- Subtract 1½" from depth and width for available sink bowl opening

Vanity Sink Base

2 Butt Doors, 1 Panel • 34½" High



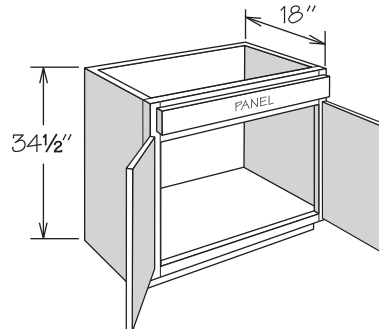
VSB2434H BUTT
VSB2734H BUTT
VSB3034H BUTT
VSB3334H BUTT
VSB3634H BUTT

APC
CFO
FE
PE
RD
RTK

- No shelf
- Subtract 1½" from depth and width for available sink bowl opening

Vanity Sink Base - 18" Deep

2 Butt Doors, 1 Panel • 34½" High



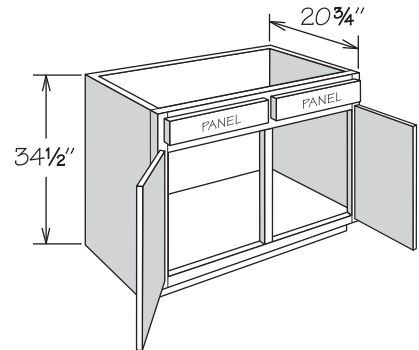
VSB241834H BUTT
VSB301834H BUTT
VSB361834H BUTT

APC
CFO
FE
PE
RD
RTK

- No shelf
- Subtract 1½" from depth and width for available sink bowl opening

Vanity Sink Base

2 Doors, 2 Panels • 34½" High



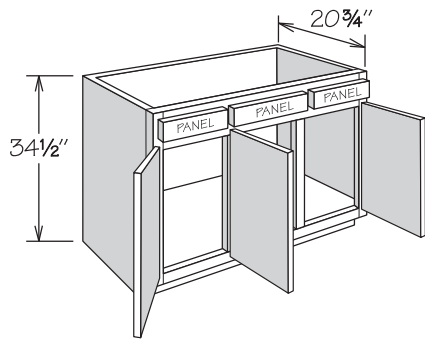
VSB3934H
VSB4234H

APC
CFO
FE
PE
RD
RTK

- No shelf
- Subtract 1½" from depth and width for available sink bowl opening

Vanity Sink Base

3 Doors, 3 Panels • 34½" High



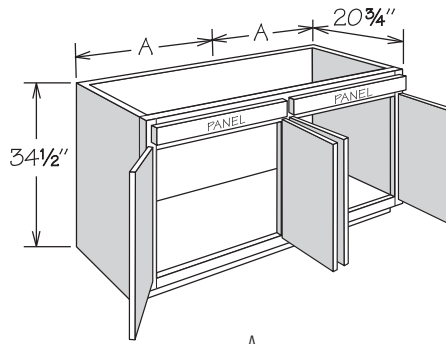
VSB4834H

APC
CFO
FE
PE
RD
RTK

- No shelf
- Subtract 1½" from depth and width for available sink bowl opening
- Hinged as shown - center door may be reversed in field

Vanity Sink Base

4 Butt Doors, 2 Panels • 34½" High



VSB5434H BUTT	27"
VSB6034H BUTT	30"

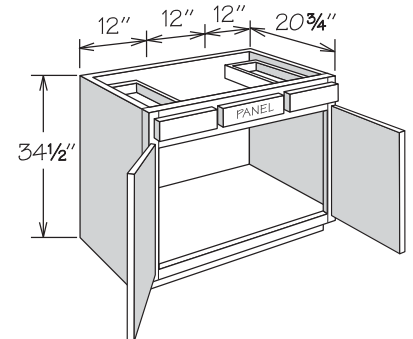
VSB5434H BUTT
VSB6034H BUTT

APC
CFO
FE
PE
RD
RTK

- No shelf
- Subtract 1½" from depth and dimension A for available sink bowl openings

Vanity Sink Base

2 Butt Doors, 2 Drawers • 34½" High



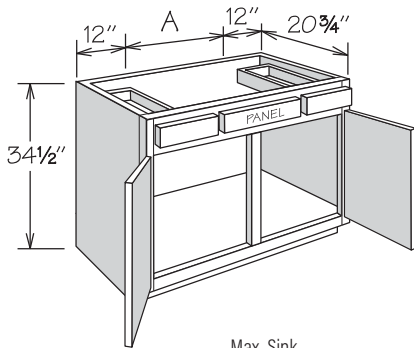
VAN3634H BUTT

APC
CFO
FE
PE
RD
RTK

- No shelf
- Top drawer on each side of sink bowl opening
- Subtract 1½" from depth for available sink bowl opening
- Maximum sink opening is 18"

Vanity Sink Base

2 Doors, 2 Drawers • 34½" High



	A	Max. Sink Opening
VAN3934H	15"	18"
VAN4234H	18"	21"

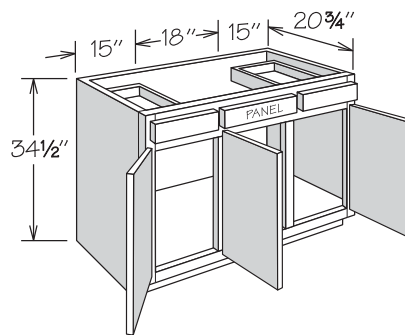
VAN3934H
VAN4234H

APC
CFO
FE
PE
RD
RTK

- No shelf
- Top drawer on each side of sink bowl opening
- Subtract 1½" from depth for available sink bowl opening

Vanity Sink Base

3 Doors, 2 Drawers • 34½" High



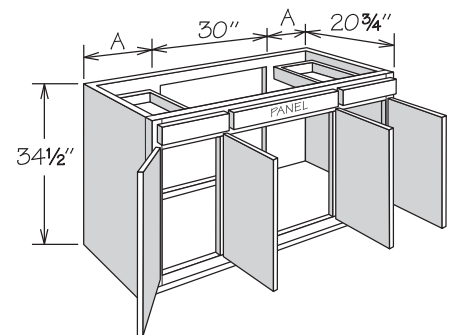
VAN4834H

APC
CFO
FE
PE
RD
RTK

- No shelf
- Top drawer on each side of sink bowl opening
- Subtract 1½" from depth for available sink bowl opening
- Maximum sink opening is 21"
- Hinged as shown - center door may be reversed in field

Vanity Sink Base

4 Doors, 2 Drawers • 34½" High



	A
VAN5434H BUTT	12"
VAN6034H BUTT	15"

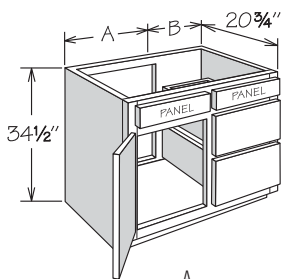
VAN5434H BUTT
VAN6034H BUTT

APC
CFO
FE
PE
RD
RTK

- Features Butt doors at sink bowl opening
- No shelf
- Top drawer on each side of sink bowl opening
- Subtract 1½" from depth for available sink bowl opening
- Maximum sink opening is 33"
- Open area for plumbing access

Vanity Combo Sink Base

1 Door, 2 Drawers • 34½" High



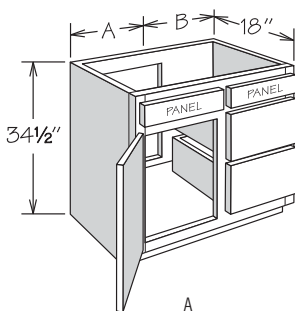
	A	B
VSDB2434H	12"	12"
VSDB2734H	15"	12"
VSDB3034H	18"	12"
VSDB3334H	21"	12"
VSDB3634H	21"	15"
VSDB3934H	21"	18"

VSDB2434H	APC
VSDB2734H	CFO
VSDB3034H	FE
VSDB3334H	PE
VSDB3634H	RD
VSDB3934H	RTK

- No shelf
- Open area for plumbing access
- Allow for plumbing placement to clear drawers
- Drawers available on right or left side (please specify)
- Cabinet shown is right indicating drawers on the right side of the cabinet
- Subtract 1½" from depth and overall cabinet width for available sink bowl opening

Vanity Combo Sink Base 18" Deep

1 Door, 2 Drawers • 34½" High



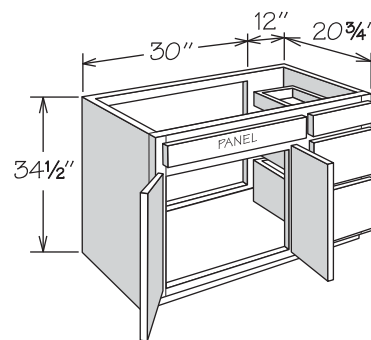
	A	B
VSDB241834H	12"	12"
VSDB271834H	15"	12"
VSDB301834H	18"	12"
VSDB331834H	21"	12"
VSDB361834H	21"	15"

VSDB241834H	APC
VSDB271834H	CFO
VSDB301834H	FE
VSDB331834H	PE
VSDB361834H	RD
VSDB361834H	RTK

- No shelf
- Open area for plumbing access
- Allow for plumbing placement to clear drawers
- Drawers available on right or left side (please specify)
- Cabinet shown is right indicating drawers on the right side of the cabinet
- Subtract 1½" from depth and overall cabinet width for available sink bowl opening

Vanity Combo Sink Base

2 Butt Doors, 3 Drawers • 34½" High

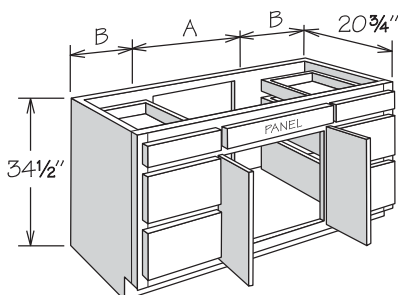


VSDB4234H BUTT	APC
	CFO
	FE
	PE
	RD
	RTK

- No shelf
- Open area for plumbing access
- Allow for plumbing placement to clear drawers
- Drawers available on right or left side (please specify)
- Cabinet shown is right indicating drawers on the right side of the cabinet
- Subtract 1½" from depth and 30" dimension for available sink bowl opening
- Requires off-center sink bowl opening

Vanity Combo Sink Base

2 Butt Doors, 6 Drawers • 34½" High



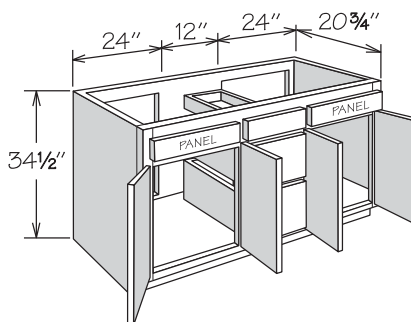
	A	B
VSDB4834HD BUTT	24"	12"
VSDB5434HD BUTT	24"	15"
VSDB6034HD BUTT	30"	15"

VSDB4834HD BUTT	APC
VSDB5434HD BUTT	CFO
VSDB6034HD BUTT	FE
	PE
	RD
	RTK

- No shelf
- Open area for plumbing access
- Subtract 1½" from depth and dimension A for available sink bowl opening

Vanity Combo Sink Base

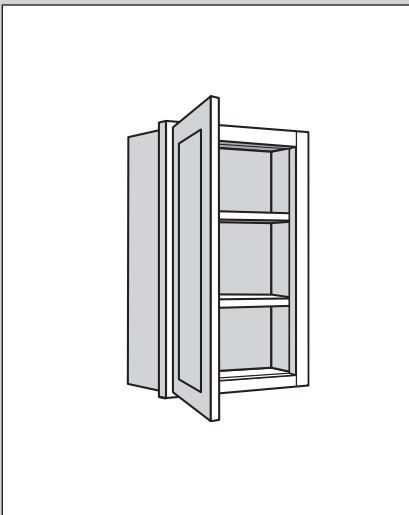
4 Butt Doors, 3 Drawers • 34½" High



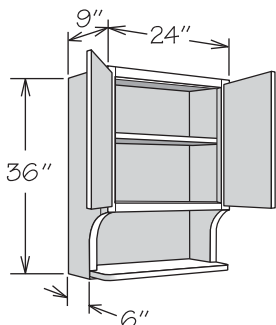
VSDB6034HC BUTT	APC
	CFO
	FE
	PE
	RD
	RTK

- No shelf
- Open area for plumbing access
- Subtract 1½" from depth and each 24" dimension for available sink bowl openings

Specialty Vanity Cabinets



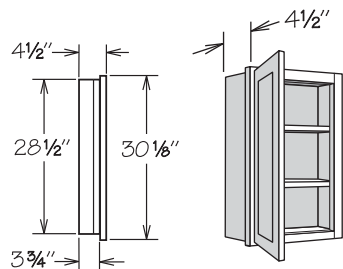
Valet Cabinet
2 Butt Doors



VC2436 BUTT

- Matching Interior standard
- Flush sides
- Bottom opening: 22½" x 10⅞"
- Features a fixed shelf
- Sides and bottom shelf feature ¾" engineered wood veneered on both sides
- For Duraform door styles, only the doors will be Duraform, all other finished surfaces will match cabinet box exterior

Medicine Cabinet

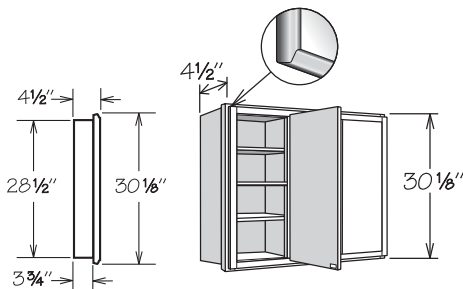


	Overall Width	Overall Height	Cut Out Width Recess Mount	Cut Out Height Recess Mount
MC1530	15"	30 ⅛"	14 ½"	28 ½"
MCM1530	15"	30 ⅛"	14 ½"	28 ½"

MC1530
MCM1530

- Two adjustable engineered wood shelves
- Surface or recess mount
- MCM1530 features a mirrored door
- For surface mount installation of wood door styles, trim and apply WEP30 to match finish on exterior sides to cabinet frame - order separately
- Breeze, Pewter Glaze and Linen (Duraform and Painted) door styles feature Matching Interior standard

Tri-View Mirror

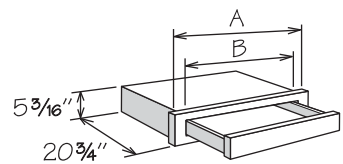


	Overall Width	Overall Height	Cut Out Width Recess Mount	Cut Out Height Recess Mount
TV3030	30"	30 ⅛"	28 ½"	28 ½"
TV3630	36"	30 ⅛"	34 ½"	28 ½"

TV3030
TV3630

- Features one large opening with two left hinged doors and one small opening with a right hinged door - can be flipped in the field
- Six adjustable shelves (3 per section)
- Surface or recess mount
- For surface mount installation of wood door styles, trim and apply WEP30 to match finish on exterior sides to cabinet frame - order separately
- Breeze, Pewter Glaze and Linen (Duraform and Painted) door styles feature Matching Interior standard
- Chrome hardware

Kneehole Drawer Cabinet



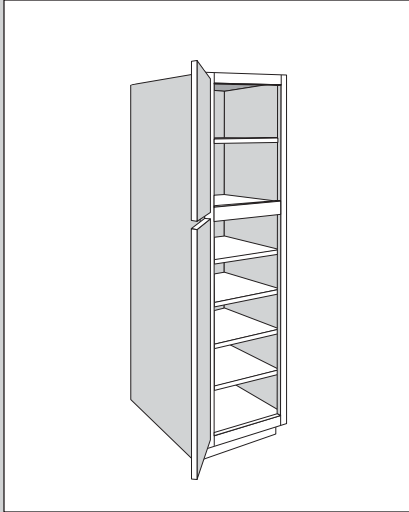
	A	B	Max. Trim
KDC27/21	27"	17¾"	21" (3" each side)
KDC33/27	33"	23¾"	27" (3" each side)
KDC36/33	36"	29¾"	33" (1½" each side)

KDC27/21
KDC33/27
KDC36/33

- Designed for Desk or Vanity application
- Drawer front complements door style
- Field trimmable in height to 4¼"
- Field trimmable in depth to 18" or available with RD-20 through RD-12

RD

Vanity Linen Cabinets



Vanity Linen cabinets range in size from 12" to 24" wide, are 84" high and 20 3/4" deep.

Single door Vanity Linen cabinets are hinged left or right and can be reversed in the field.

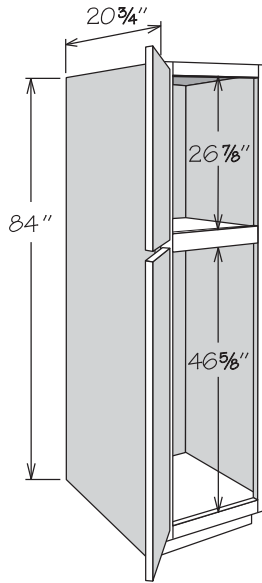
Vanity Linen cabinet bottom doors have a center rail for select door styles - refer to door style section.

Inset toe kick construction requires BTK8 matching toe kick - must be ordered separately.

See page 45 for Ceiling Height Requirements information.

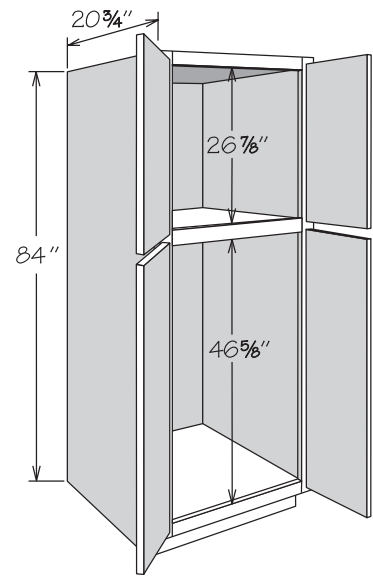
Vanity Linen Cabinet

2 Doors
No Shelves



Vanity Linen Cabinet

4 Butt Doors
No Shelves



VANITY CABINETS

- VLC122184
- VLC152184
- VLC182184

VLC122184 SD
VLC152184 SD
VLC182184 SD

APC
CFO
FE
■ MI
PE
RD

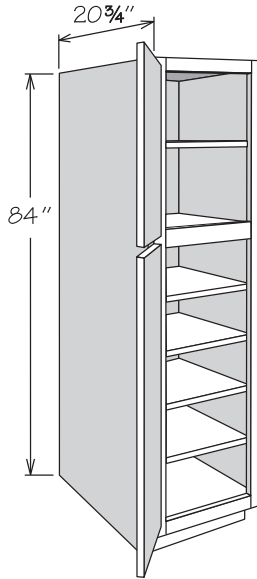
- Shelving and optional interior accessories may be ordered separately - refer to Vanity Linen Accessories for details
- Cabinet backs are pre-drilled to accept up to four Deep Roll Out Trays in lower section

- VLC242184 BUTT
- VLC242184 BUTT SD

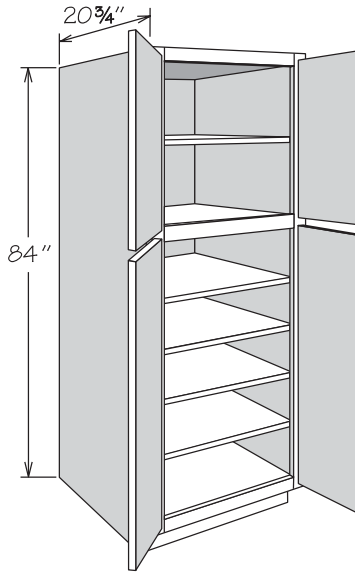
APC
CFO
FE
■ MI
PE
RD

- Shelving and optional interior accessories may be ordered separately - refer to Vanity Linen Accessories for details
- Cabinet backs are pre-drilled to accept up to four Deep Roll Out Trays in lower section

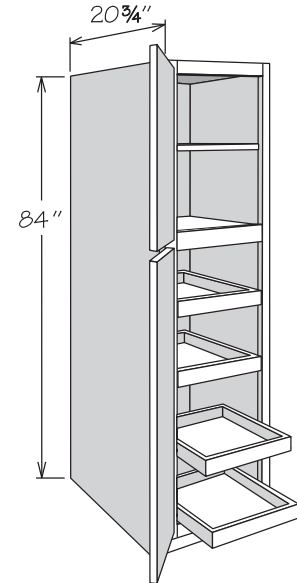
Vanity Linen Cabinet
2 Doors with Adjustable Shelves



Vanity Linen Cabinet
4 Butt Doors with Adjustable Shelves



Vanity Linen Cabinet
2 Doors with Deep Roll Out Trays



- VLC122184 AS
- VLC152184 AS
- VLC182184 AS

VLC122184 AS SD
VLC152184 AS SD
VLC182184 AS SD

APC
FE
■ MI
PE
RD

- Features one full-depth adjustable shelf in top section and four full-depth shelves in lower section
- Full-depth adjustable shelves are 3/4" engineered wood and edge banded on front edge only
- Adjustable shelves packaged separately for field installation

- VLC242184 AS BUTT
- VLC242184 AS BUTT SD

APC
FE
■ MI
PE
RD

- Features one full-depth adjustable shelf in top section and four full-depth shelves in lower section
- Full-depth adjustable shelves are 3/4" engineered wood and edge banded on front edge only
- Adjustable shelves packaged separately for field installation

- VLC122184 4ROT
- VLC152184 4ROT
- VLC182184 4ROT

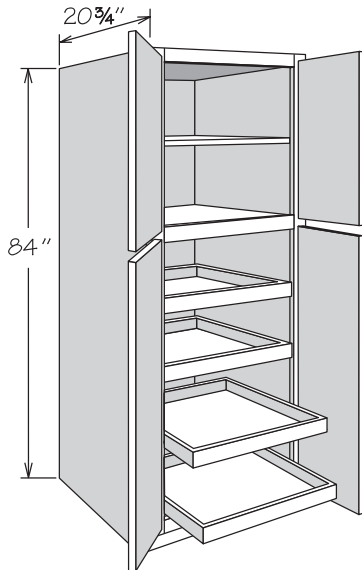
VLC122184 4ROT SD
VLC152184 4ROT SD
VLC182184 4ROT SD

APC
FE
■ MI
PE
RD

- Features one full-depth adjustable shelf in top section and four Deep Roll Out Trays in lower section
- Full-depth adjustable shelf is 3/4" engineered wood and edge banded on front edge only
- Adjustable shelf and Deep Roll Out Trays packaged separately for field installation

Vanity Linen Cabinet

4 Butt Doors with Deep Roll Out Trays



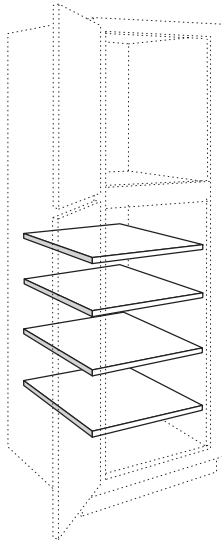
- VLC242184 4ROT BUTT
- VLC242184 4ROT BUTT SD

APC
FE
■ MI
PE
RD

- Features one full-depth adjustable shelf in top section and four Deep Roll Out Trays in lower section
- Full-depth adjustable shelf is 3/4" engineered wood and edge banded on front edge only
- Adjustable shelf and Deep Roll Out Trays packaged separately for field installation

Vanity Linen Cabinet

Adjustable Shelf or 4 Pack Shelf Kit



Adjustable Shelf

- S1221
- S1521
- S1821
- S2421

4 Pack Shelf Kit

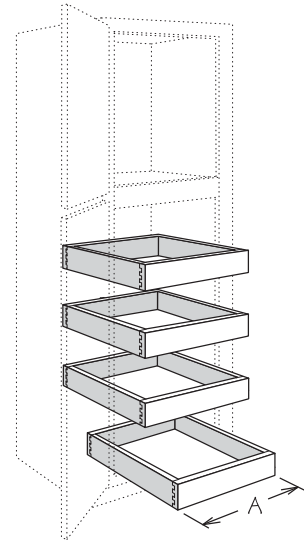
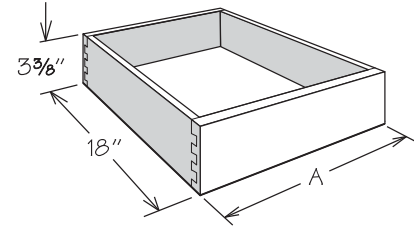
- SK1221
- SK1521
- SK1821
- SK2421

APC
MI
RD

- Field installation accessory
- 3/4" engineered wood in natural finish
- Edge banded on front edge only
- CLIP LOCK shelf rests included

Vanity Linen Cabinet

Deep Roll Out Tray Kit or
4 Pack Deep Roll Out Tray Kit



	A
DROT1221	7 3/4"
DROT1521	10 3/4"
DROT1821	13 3/4"
DROT2421	19 3/4"

Deep Roll Out Tray Kit

- DROT1221
- DROT1521
- DROT1821
- DROT2421

4 Pack Deep Roll Out Tray Kit

- DROT1221-4K
- DROT1521-4K
- DROT1821-4K
- DROT2421-4K

RD

- Field installation accessory
- Natural finish dovetail drawer with engineered wood bottom
- Includes Deep Roll Out Tray, all glide hardware and installation instructions