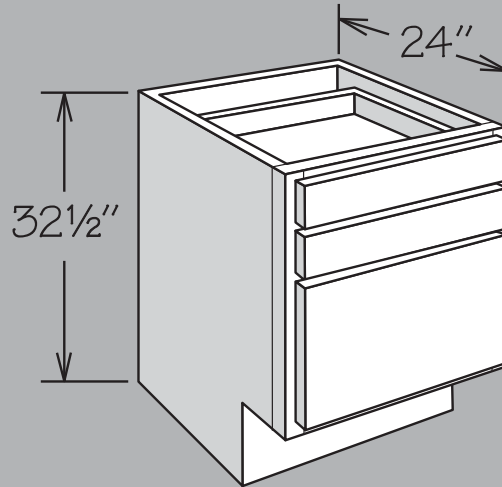


Universal Design Cabinets for Accessible Kitchen Layouts



Dimensions

Width	Height	Depth	Inset Toe Kick
12" to 45"	32½"	24" (Reduced Depth optional on select cabinets)	8" High 6½" Deep

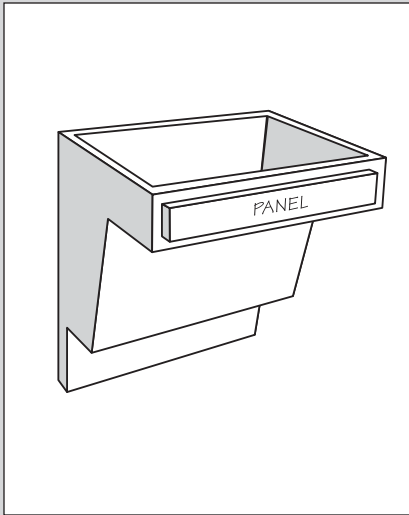
SKU Coding

DB	21	UD
Cabinet Type (e.g., DB = Drawer Base)	Width in Inches	Cabinet Type

Construction Options & Modifications

APC	All Plywood Construction
CFO	Cabinet Front Only
FE	Furniture Ends
PE	Plywood Ends
RD	Reduced Depth
RTK	Recessed Toe Kick
VTD	Void Top Drawer

Universal Design Cabinets



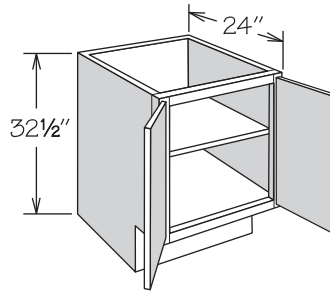
Universal Design Base Cabinets are 32½" high by 20¾" or 24" deep. The toe kick is 8" high and 6½" deep to accommodate most wheelchair footrests.

Single-door Universal Design Base Cabinets are hinged left and can be reversed in the field.

Inset toe kick construction requires use of BTK8 UD matching toe kick - must be ordered separately.

Universal Design Base Cabinet

2 Butt Doors, 1 Adjustable Shelf

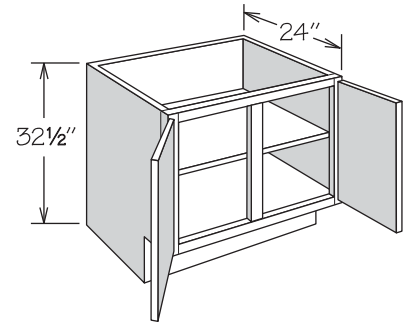


B24 UD BUTT	APC
B27 UD BUTT	CFO
B30 UD BUTT	FE
B33 UD BUTT	PE
B36 UD BUTT	RD
	RTK

- ¾" full-depth adjustable shelf
- Center support for shelf provided

Universal Design Base Cabinet

2 Doors, 1 Adjustable Shelf

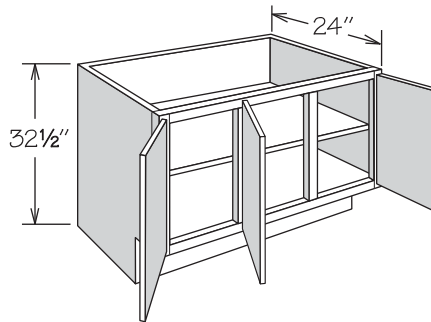


B39 UD	APC
B42 UD	CFO
	FE
	PE
	RD
	RTK

- ¾" full-depth adjustable shelf
- Center support for shelf provided

Universal Design Base Cabinet

3 Doors, 1 Adjustable Shelf

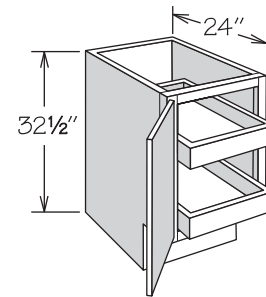


B45 UD	APC
	CFO
	FE
	PE
	RD
	RTK

- ¾" full-depth adjustable shelf
- Center support for shelf provided
- Hinged as shown - can be reversed in the field

Universal Design Base Cabinet

1 Door, 2 Deep Roll Out Trays

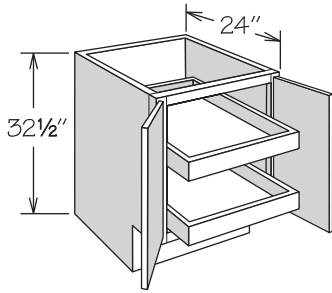


B12 2FWT UD	APC
B15 2FWT UD	FE
B18 2FWT UD	PE
B21 2FWT UD	RD
	RTK

- Two Deep Roll Out Trays (DROT)
- Deep Roll Out Trays are not adjustable
- Recessed Toe Kick Both (RTKB) not available for B12 2FWT UD and B15 2FWT UD

**Universal Design
Base Cabinet**

2 Butt Doors, 2 Deep Roll Out Trays



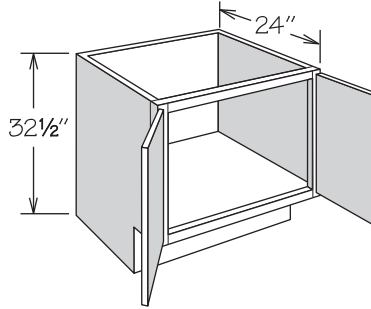
B24 2FWT UD BUTT

APC
FE
PE
RD
RTK

- Two Deep Roll Out Trays (DROT)
- Deep Roll Out Trays are not adjustable

**Universal Design
Sink/Cooktop Base**

2 Butt Doors



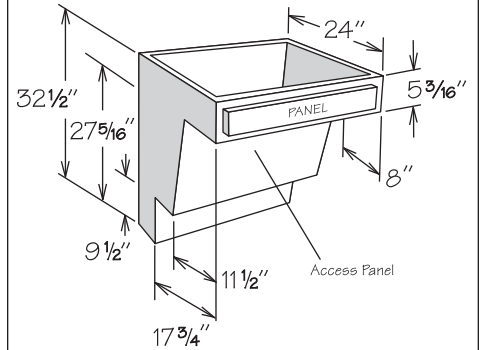
SB30 BUTT UD
SB33 BUTT UD
SB36 BUTT UD

APC
CFO
FE
PE
RD
RTK

- No shelf
- Full-height back
- Subtract 1 1/2" from width and depth for available sink bowl opening
- Refer to sink or appliance manufacturer's specifications for adequate clearance and required installation materials

**Universal Design
Base Plumbing Skirt**

1 Panel



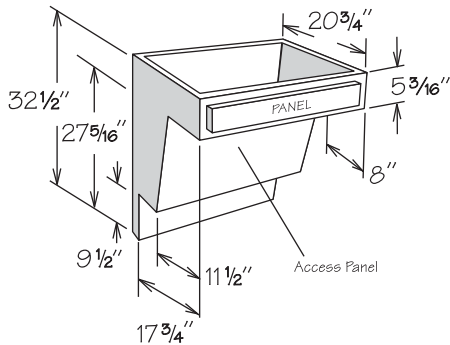
BPS30 UD
BPS36 UD

APC
FE

- Features plywood sides
- Removable front access panel
- Subtract 1 1/2" from width and depth for available sink bowl opening
- Maximum available depth inside cabinet for sink bowl is 5"
- Water lines, drains and P-Trap must be installed at 6" maximum from wall
- Refer to sink manufacturer's specifications for adequate clearance and required installation materials
- Matching toe kick included - BTK8 UD not required

**Universal Design
Vanity Plumbing Skirt**

1 Panel



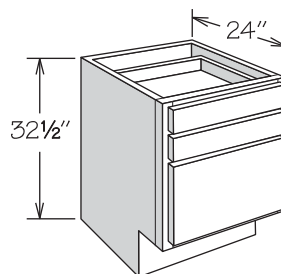
VPS30 UD
VPS36 UD

APC
FE

- Features plywood sides
- Removable front access panel
- Subtract 1 1/2" from width and depth for available sink bowl opening
- Maximum available depth inside cabinet for sink bowl is 5"
- Water lines, drains and P-Trap must be installed at 6" maximum from wall
- Refer to sink manufacturer's specifications for adequate clearance and required installation materials
- Matching toe kick included - BTK8 UD not required

**Universal Design
Drawer Base Cabinet**

3 Drawers



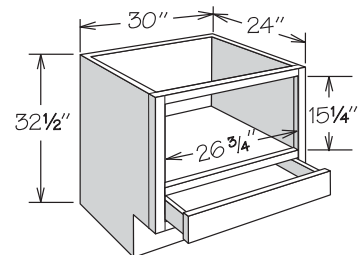
DB12 UD
DB15 UD
DB18 UD
DB21 UD
DB24 UD

APC
CFO
FE
PE
RD
RTK
VTD

- One large and two standard drawers
- Recessed Toe Kick Both (RTKB) not available for the DB12 UD and DB15 UD

**Universal Design
Base Multi-Use**

1 Drawer

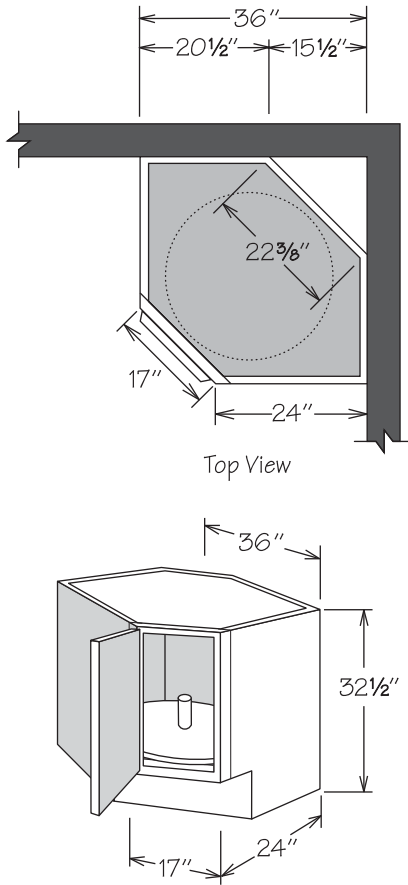


BMU30 UD

APC
CFO
FE
PE
RD
RTK

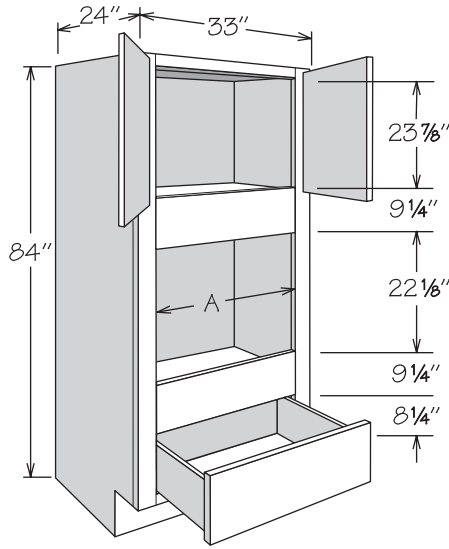
- Designed to accommodate countertop style microwaves or small appliances below countertop
- Interior finished to match cabinet exterior
- Accent Molding recommended (order separately)
- Refer to appliance manufacturer's specifications for adequate clearances and required installation materials

**Universal Design
Corner Base Susan**



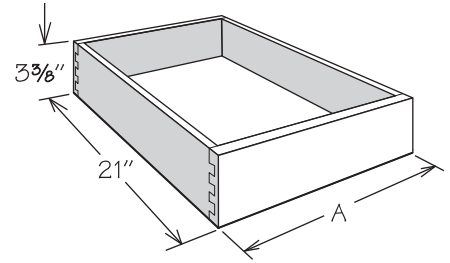
Top View

**Universal Design
Oven Cabinet
2 Butt Doors, 1 Drawer**



Cut Out Dimensions	A		B	
	Actual	Max.	Actual	Max.
OVS3384 UD BUTT	26 3/4"	31"	22 1/4"	37 3/4"

Deep Roll Out Tray Kit



	Base Cabinet Size	
	A	
DROT12	7 3/4"	12"
DROT15	10 3/4"	15"
DROT18	13 3/4"	18"
DROT19	15 1/4"	19"
DROT21	16 3/4"	21"
DROT24	19 3/4"	24"
DROT27	22 3/4"	27"
DROT30	25 3/4"	30"
DROT33	28 3/4"	33"
DROT36	31 3/4"	36"

UNIVERSAL DESIGN CABINETS

CBS36 UD

APC
FE
PE

- Features one 28" diameter full round white spin shelf mounted on floor
- Sides are finished
- Cabinet requires a minimum of 34" to fit through doorway (removal of cabinet door recommended)
- Additional space recommended if appliance is installed on the hinge side of this cabinet for proper door operation

OVS3384 UD BUTT

APC
CFO
FE
PE
RD

- No shelf
- 3 1/8" stiles
- Features a solid back
- Full overlay door styles feature face-mount hinges
- Refer to appliance manufacturer's specifications for adequate clearances and required installation materials
- Heat Shield Kit (HSK) recommended for Duraform thermofoil door styles

DROT12
DROT15
DROT18
DROT19
DROT21
DROT24
DROT27
DROT30
DROT33
DROT36

RD

- Field installation accessory
- Natural finish dovetail drawer with engineered wood bottom
- Includes tray, all glide hardware and installation instructions
- DROT drill template is required for all two door cabinets that have a fixed center stile - contact Customer Care for drill template