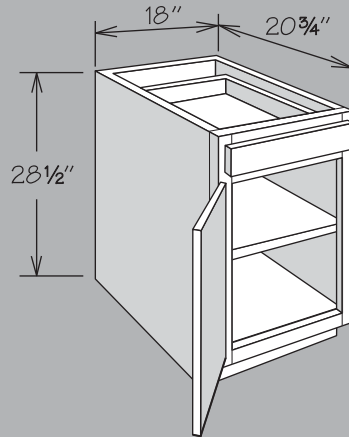


Desk Cabinets & Bookshelves



Dimensions

Width	Height	Depth
12" to 36"	28½" to 96"	12" to 24" (Reduced Depth optional on select cabinets)

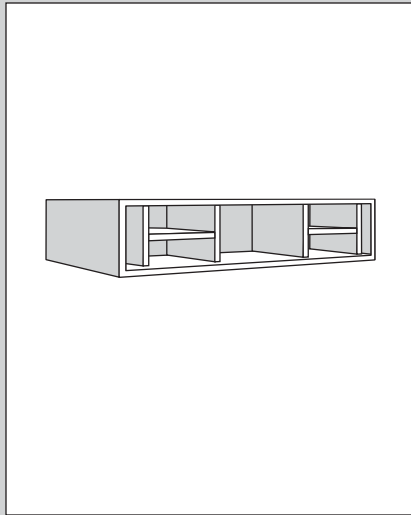
SKU Coding

DDO	18	21
Cabinet Type (e.g., DDO= Desk Door Cabinet)	Width in Inches	Depth in Inches

Construction Options & Modifications

- APC**..... All Plywood Construction
- CFO**..... Cabinet Front Only
- FE**..... Furniture Ends
- ID**..... Increased Depth (Bookshelves Only)
- PE**..... Plywood Ends
- RD**..... Reduced Depth
- RTK**..... Recessed Toe Kick

Desk Base Cabinets



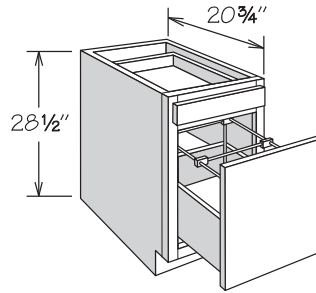
Desk Base cabinets are 12" to 24" wide, 28 1/2" high and 20 3/4" or 24" deep.

Single door Desk Base cabinets are hinged left and can be reversed in the field.

Inset toe kick construction requires BTK8 matching toe kick - must be ordered separately.

Desk File Pull Out

1 Drawer, 1 Door Pull Out
21" Deep



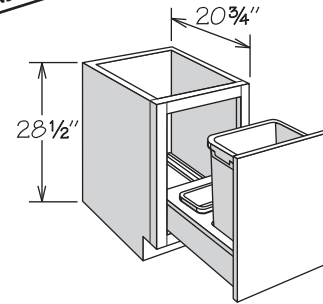
DFDC1821

- APC
- FE
- PE
- RTK

- One standard top drawer
- File unit installs in a natural finish drawer body
- File unit packaged separately for field installation
- Accepts letter or legal-size hanging files

Desk Wastebasket Cabinet

1 Bottom Mount Wastebasket
21" Deep



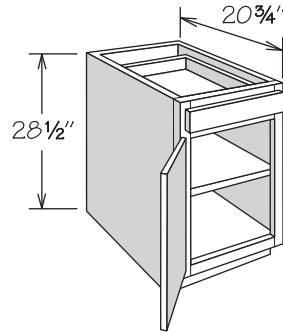
DWBB1821

- APC
- FE
- PE
- RTK

- Full-height door
- Features one silver plastic 35-quart capacity bin
- Wastebasket rests in a natural finish wood frame
- Feature heavy-duty 132-pound rated glides
- Includes bag storage tray at rear
- Decorative hardware strongly recommended
- Storage tray NOT dishwasher safe

Desk Door Cabinet

1 Door, 1 Drawer
21" Deep



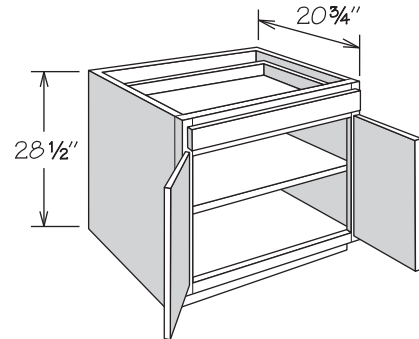
DD01221
DD01521
DD01821
DD02121

- APC
- CFO
- FE
- PE
- RD
- RTK

- One full-depth adjustable shelf

Desk Door Cabinet

2 Butt Doors, 1 Drawer
21" Deep

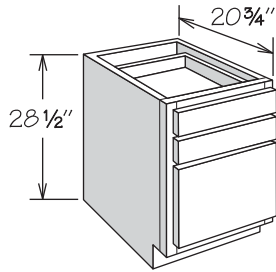


DD02421 BUTT

- APC
- CFO
- FE
- PE
- RD
- RTK

- One full-depth adjustable shelf

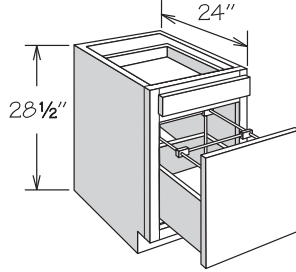
Desk Drawer Cabinet
3 Drawers
21" Deep



DDR1221 DDR1521 DDR1821 DDR2121 DDR2421	APC
	CFO
	FE
	PE
	RD
	RTK

- One large and two standard drawers
- Large drawer cannot be used as a file drawer

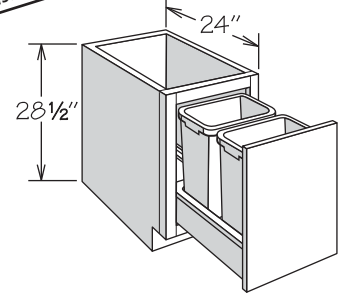
Desk File Pull Out
1 Drawer, 1 Door Pull Out
24" Deep



DFDC1824	APC
	FE
	PE
	RTK

- One standard top drawer
- File unit installs in a natural finish drawer body
- File unit packaged separately for field installation
- Accepts letter or legal-size hanging files

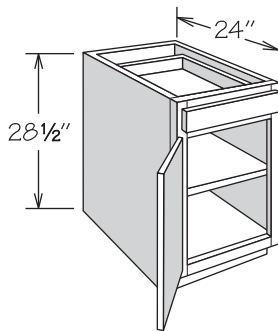
Desk Wastebasket Cabinet
2 Bottom Mount Wastebaskets
24" Deep



DWBB1824	APC
	FE
	PE
	RTK

- Full-height door
- Features two silver plastic 35-quart capacity bins
- Wastebasket rests in a natural finish wood frame
- Features heavy-duty 132-pound rated glides
- Decorative hardware strongly recommended

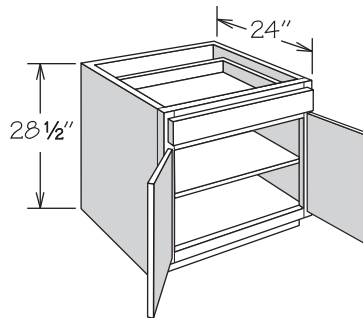
Desk Door Cabinet
1 Door, 1 Drawer
24" Deep



DD01224 DD01524 DD01824 DD02124	APC
	CFO
	FE
	PE
	RD
	RTK

- One full-depth adjustable shelf

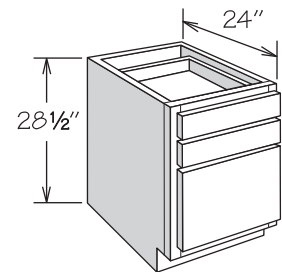
Desk Door Cabinet
2 Butt Doors, 1 Drawer
24" Deep



DD02424 BUTT	APC
	CFO
	FE
	PE
	RD
	RTK

- One full-depth adjustable shelf

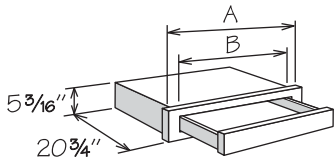
Desk Drawer Cabinet
3 Drawers
24" Deep



DDR1224 DDR1524 DDR1824 DDR2124 DDR2424	APC
	CFO
	FE
	PE
	RD
	RTK

- One large and two standard drawers
- Large drawer cannot be used as a file drawer

Kneehole Drawer Cabinet

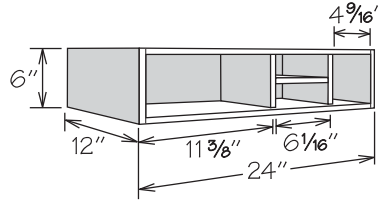


	A	B	Max. Trim
KDC27/21	27"	17 3/4"	21" (3" each side)
KDC33/27	33"	23 3/4"	27" (3" each side)
KDC36/33	36"	29 3/4"	33" (1 1/2" each side)

KDC27/21 KDC33/27 KDC36/33	RD
----------------------------------	-----------

- Designed for Desk or Vanity installation
- Drawer front complements door style
- Field trimmable in depth to 18" or available with RD-20 through RD-12
- Field trimmable in height to 4 3/4"

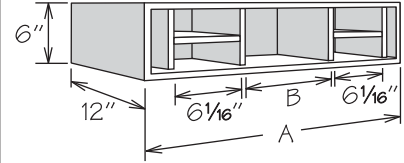
**Shelf Under Cabinet Organizer
24" Wide**



SUC024

- SUC024 installs below 24" wide Wall cabinet
- Features 1/2" veneered engineered wood finished to match cabinet box exterior
- Flush sides
- Opening is 5" high

**Shelf Under Cabinet Organizer
27" & 30" Wide**

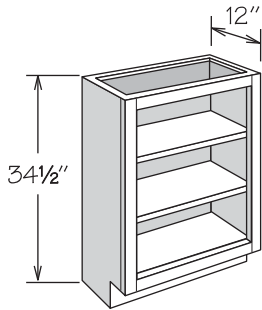


	A	B
SUC027	27"	8 7/8"
SUC030	30"	11 1/8"

SUC027 SUC030

- SUC027 installs below 27" wide Wall cabinet
- SUC030 installs below 30" wide Wall cabinet
- Features 1/2" veneered engineered wood finished to match cabinet box exterior
- Flush sides
- Opening is 5" high

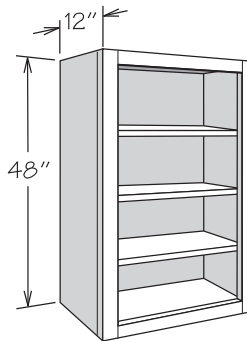
**Base Bookshelf
34 1/2" High**



BSPLY2434	FE
	ID
	RD
	RTK

- All Plywood Construction standard
- Interior finished to match cabinet box exterior
- Features two adjustable 3/4" plywood shelves
- Shelving packaged separately for field installation

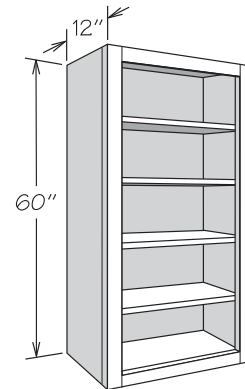
**Wall Bookshelves
48" High**



BSPLY1848 BSPLY2448 BSPLY3048 BSPLY3648	FE
	ID
	RD
	RTK

- All Plywood Construction standard
- Interior finished to match cabinet box exterior
- Features three adjustable 3/4" plywood shelves
- Shelving packaged separately for field installation

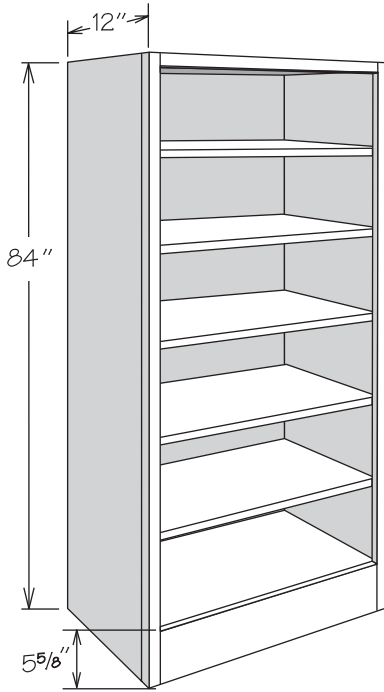
**Wall Bookshelves
60" High**



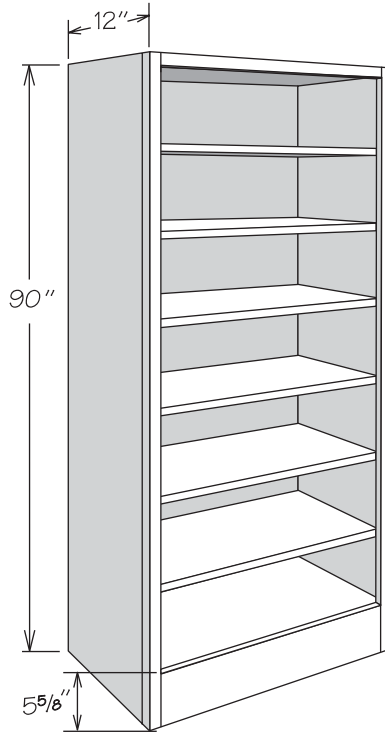
BSPLY1860 BSPLY2460 BSPLY3060 BSPLY3660	FE
	ID
	RD
	RTK

- All Plywood Construction standard
- Interior finished to match cabinet box exterior
- Features four adjustable 3/4" plywood shelves
- Shelving packaged separately for field installation

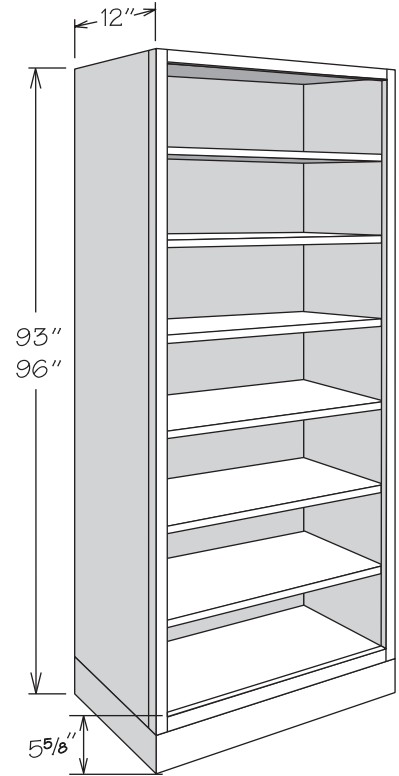
Tall Bookshelves
84" High



Tall Bookshelves
90" High



Tall Bookshelves
93" & 96" High



BSPLY1884
BSPLY2484
BSPLY3084
BSPLY3684

FE
ID
RD

- All Plywood Construction standard
- Interior finished to match cabinet box exterior
- Flush furniture toe kick
- Features five adjustable 3/4" plywood shelves
- Shelving packaged separately for field installation

BSPLY1890
BSPLY2490
BSPLY3090
BSPLY3690

FE
ID
RD

- All Plywood Construction standard
- Interior finished to match cabinet box exterior
- Flush furniture toe kick
- Features six adjustable 3/4" plywood shelves
- Shelving packaged separately for field installation

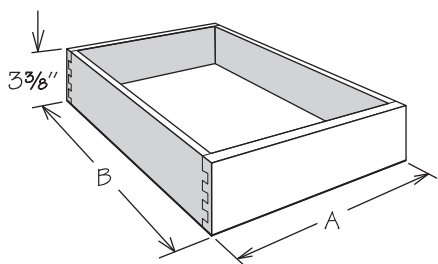
BSPLY1893
BSPLY2493
BSPLY3093
BSPLY3693

BSPLY1896
BSPLY2496
BSPLY3096
BSPLY3696

FE
ID
RD

- All Plywood Construction standard
- Interior finished to match cabinet box exterior
- Flush furniture toe kick shipped unattached
- Features six adjustable 3/4" plywood shelves
- Shelving packaged separately for field installation

Deep Roll Out Tray Kit

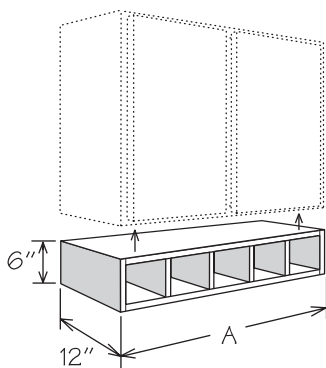


DROT12	DROT1221	RD
DROT15	DROT1521	
DROT18	DROT1821	
DROT21	DROT2421	
DROT24		

	A	B
DROT12	7 3/4"	21"
DROT15	10 3/4"	21"
DROT18	13 3/4"	21"
DROT21	16 3/4"	21"
DROT24	19 3/4"	21"
DROT1221	7 3/4"	18"
DROT1521	10 3/4"	18"
DROT1821	13 3/4"	18"
DROT2421	19 3/4"	18"

- Field installation accessory
- Includes tray, all glide hardware and installation instructions
- Natural finish dovetail drawer with engineered wood bottom
- DROT_21 for use in 21" deep desk or vanity cabinets

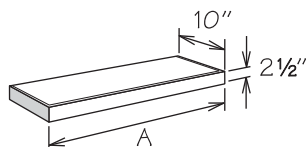
Storage Cube



	A
SC30	30"
SC36	36"
SC42	42"

- Designed for horizontal or vertical installation
- Vertical installation may require the use of fillers and/or molding which must be ordered separately
- Opening size is 5" wide x 4 1/2" high (horizontal) which will accommodate various storage needs
- Features 3/4" veneered engineered wood finished to match cabinet box exterior
- Interior finished to match cabinet box exterior
- Flush sides
- Cannot be retrofitted with Spice Drawer cabinet drawers

Floating Shelf



SKU	A	Max. Load
FLSH2410	24"	30 lbs.
FLSH3010	30"	37 lbs.
FLSH3610	36"	45 lbs.
FLSH4210	42"	52 lbs.
FLSH4810	48"	60 lbs.

FLSH2410
FLSH3010
FLSH3610
FLSH4210
FLSH4810

- Not trimmable
- Finished on all sides to match cabinet box exterior
- Features veneered engineered wood top and bottom and solid wood front and sides
- When installed between two cabinets, Furniture Ends (FE) is recommended for adjacent cabinets
- Must be secured to studs in wall
- Installation instructions, mounting brackets and screws included