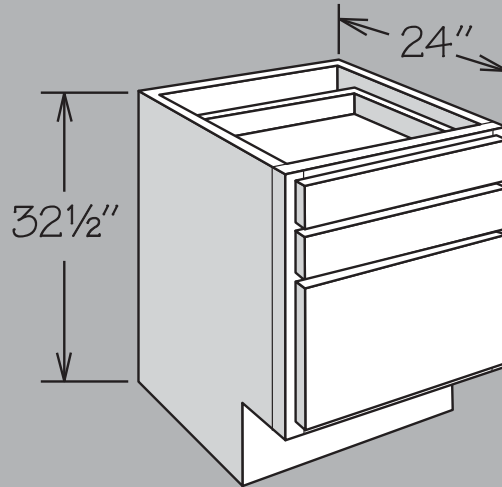


# Universal Design Cabinets for Accessible Kitchen Layouts



## Dimensions

Width	Height	Depth	Inset Toe Kick
12" to 45"	32½"	24" (Reduced Depth optional on select cabinets)	8" High 6½" Deep

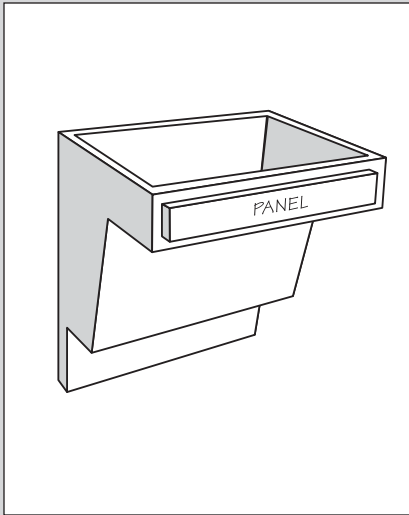
## SKU Coding

DB	21	UD
Cabinet Type (e.g., DB = Drawer Base)	Width in Inches	Cabinet Type

## Construction Options & Modifications

<b>APC</b> .....	All Plywood Construction
<b>CFO</b> .....	Cabinet Front Only
<b>FE</b> .....	Furniture Ends
<b>PE</b> .....	Plywood Ends
<b>RD</b> .....	Reduced Depth
<b>RTK</b> .....	Recessed Toe Kick
<b>VTD</b> .....	Void Top Drawer

Universal Design Cabinets



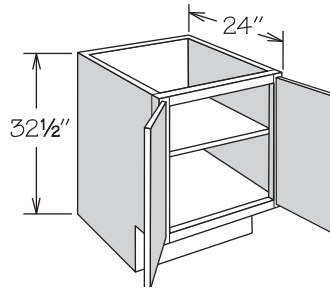
Universal Design Base Cabinets are 32½" high by 20¼" or 24" deep. The toe kick is 8" high and 6½" deep to accommodate most wheelchair footrests.

Single-door Universal Design Base Cabinets are hinged left and can be reversed in the field.

Inset toe kick construction requires use of BTK8 UD matching toe kick - must be ordered separately.

Universal Design Base Cabinet

2 Butt Doors, 1 Adjustable Shelf

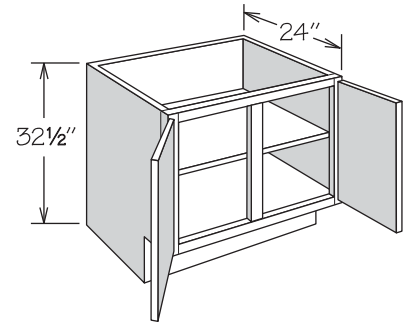


B24 UD BUTT	APC
B27 UD BUTT	CFO
B30 UD BUTT	FE
B33 UD BUTT	PE
B36 UD BUTT	RD
	RTK

- ¾" half-depth adjustable shelf
- Center support for shelf provided

Universal Design Base Cabinet

2 Doors, 1 Adjustable Shelf

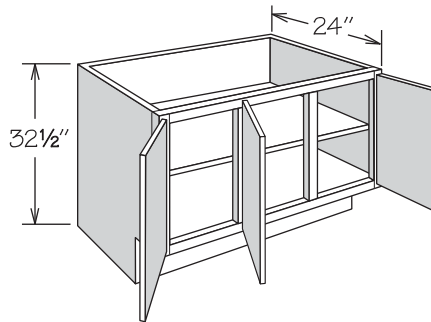


B39 UD	APC
B42 UD	CFO
	FE
	PE
	RD
	RTK

- ¾" half-depth adjustable shelf
- Center support for shelf provided

Universal Design Base Cabinet

3 Doors, 1 Adjustable Shelf

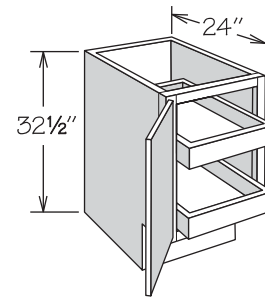


B45 UD	APC
	CFO
	FE
	PE
	RD
	RTK

- ¾" half-depth adjustable shelf
- Center support for shelf provided
- Hinged as shown - can be reversed in the field

Universal Design Base Cabinet

1 Door, 2 Deep Roll Out Trays

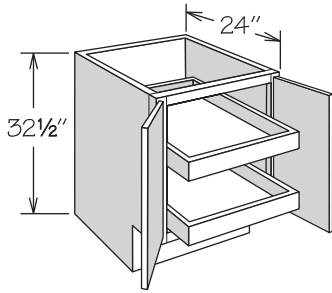


B12 2FWT UD	APC
B15 2FWT UD	FE
B18 2FWT UD	PE
B21 2FWT UD	RD
	RTK

- Two Deep Roll Out Trays (DROT)
- Deep Roll Out Trays are not adjustable
- Recessed Toe Kick Both (RTKB) not available for B12 2FWT UD and B15 2FWT UD

**Universal Design  
Base Cabinet**

2 Butt Doors, 2 Deep Roll Out Trays



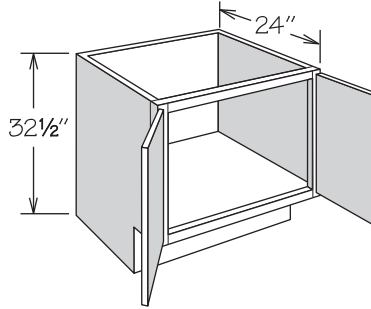
B24 2FWT UD BUTT

APC
FE
PE
RD
RTK

- Two Deep Roll Out Trays (DROT)
- Deep Roll Out Trays are not adjustable

**Universal Design  
Sink/Cooktop Base**

2 Butt Doors



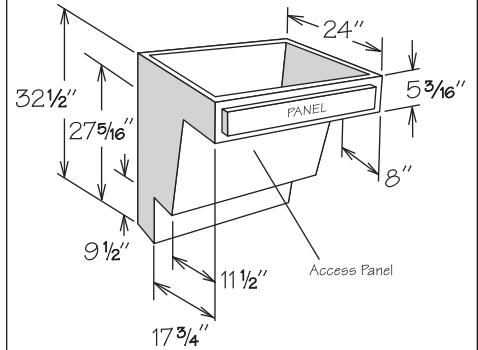
SB30 BUTT UD  
SB33 BUTT UD  
SB36 BUTT UD

APC
CFO
FE
PE
RD
RTK

- No shelf
- Full-height back
- Subtract 1 1/2" from width and depth for available sink bowl opening
- Refer to sink or appliance manufacturer's specifications for adequate clearance and required installation materials

**Universal Design  
Base Plumbing Skirt**

1 Panel



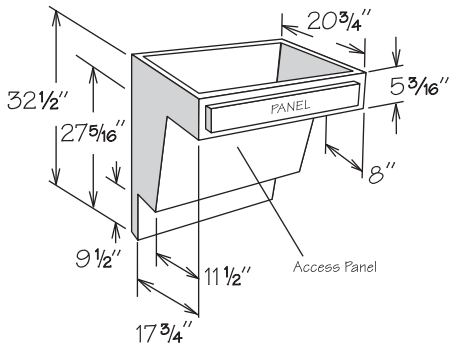
BPS30 UD  
BPS36 UD

APC
FE

- Features plywood sides
- Removable front access panel
- Subtract 1 1/2" from width and depth for available sink bowl opening
- Maximum available depth inside cabinet for sink bowl is 5"
- Water lines, drains and P-Trap must be installed at 6" maximum from wall
- Refer to sink manufacturer's specifications for adequate clearance and required installation materials
- Matching toe kick included - BTK8 UD not required

**Universal Design  
Vanity Plumbing Skirt**

1 Panel



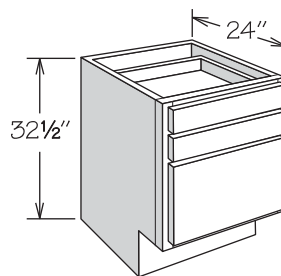
VPS30 UD  
VPS36 UD

APC
FE

- Features plywood sides
- Removable front access panel
- Subtract 1 1/2" from width and depth for available sink bowl opening
- Maximum available depth inside cabinet for sink bowl is 5"
- Water lines, drains and P-Trap must be installed at 6" maximum from wall
- Refer to sink manufacturer's specifications for adequate clearance and required installation materials
- Matching toe kick included - BTK8 UD not required

**Universal Design  
Drawer Base Cabinet**

3 Drawers



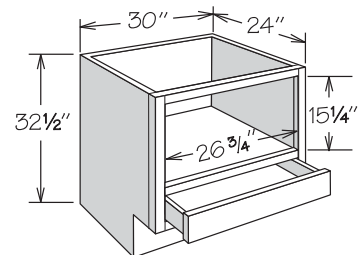
DB12 UD  
DB15 UD  
DB18 UD  
DB21 UD  
DB24 UD

APC
CFO
FE
PE
RD
RTK
VTD

- One large and two standard drawers
- Recessed Toe Kick Both (RTKB) not available for the DB12 UD and DB15 UD

**Universal Design  
Base Multi-Use**

1 Drawer

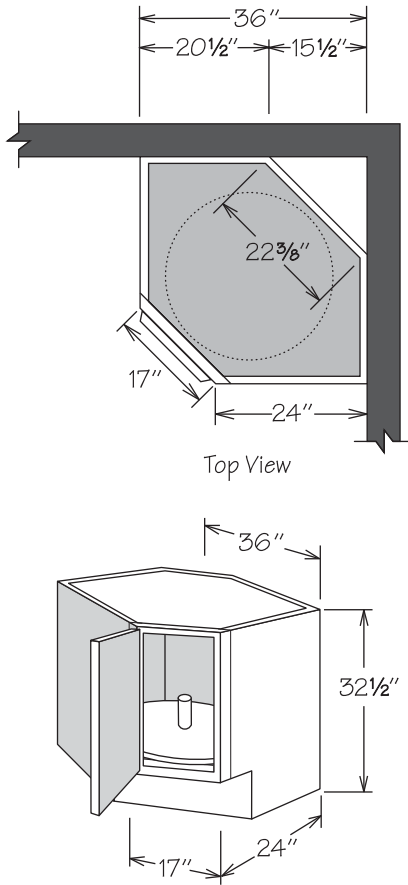


BMU30 UD

APC
CFO
FE
PE
RD
RTK

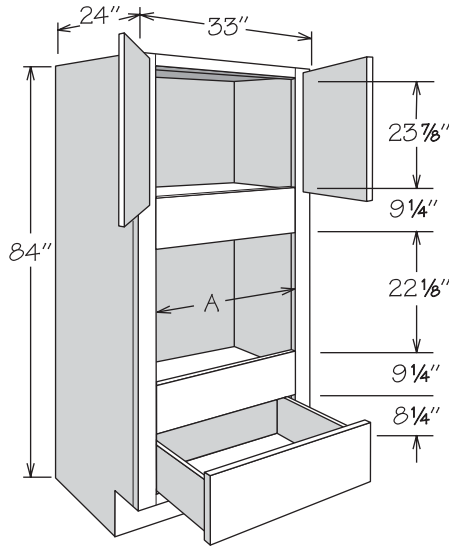
- Designed to accommodate countertop style microwaves or small appliances below countertop
- Interior finished to match cabinet exterior
- Accent Molding recommended (order separately)
- Refer to appliance manufacturer's specifications for adequate clearances and required installation materials

**Universal Design  
Corner Base Susan**



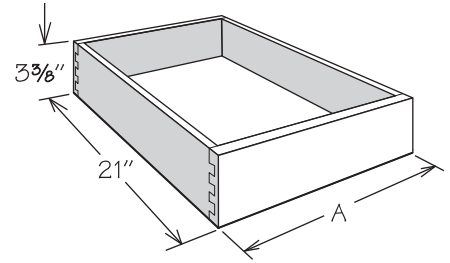
Top View

**Universal Design  
Oven Cabinet  
2 Butt Doors, 1 Drawer**



Cut Out Dimensions	A		B	
	Actual	Max.	Actual	Max.
OVS3384 UD BUTT	26 3/4"	31"	22 1/4"	37 3/4"

**Deep Roll Out Tray Kit**



	Base Cabinet Size	
	A	
DROT12	7 3/4"	12"
DROT15	10 3/4"	15"
DROT18	13 3/4"	18"
DROT19	15 1/4"	19"
DROT21	16 3/4"	21"
DROT24	19 3/4"	24"
DROT27	22 3/4"	27"
DROT30	25 3/4"	30"
DROT33	28 3/4"	33"
DROT36	31 3/4"	36"

UNIVERSAL DESIGN CABINETS

CBS36 UD

APC
FE
PE

- Features one 28" diameter full round white spin shelf mounted on floor
- Sides are finished
- Cabinet requires a minimum of 34" to fit through doorway (removal of cabinet door recommended)
- Additional space recommended if appliance is installed on the hinge side of this cabinet for proper door operation

OVS3384 UD BUTT

APC
CFO
FE
PE
RD

- Order Oven Support Shelf (OSS\_\_\_) separately
- No shelf
- 3 1/8" stiles
- Features a solid back
- Full overlay door styles feature face-mount hinges
- Refer to appliance manufacturer's specifications for adequate clearances and required installation materials
- Heat Shield Kit (HSK) recommended for Duraform thermofoil door styles
  - Cottage
  - Edgeworth
  - Solana
  - Sydney
  - Winchester

DROT12  
DROT15  
DROT18  
DROT19  
DROT21  
DROT24  
DROT27  
DROT30  
DROT33  
DROT36

RD

- Field installation accessory
- Natural finish dovetail drawer with engineered wood bottom
- Includes tray, all glide hardware and installation instructions
- DROT drill template is required for all two door cabinets that have a fixed center stile - contact Customer Care for drill template