

# Tall Cabinets



## Dimensions

Width	Depth	Height
12" to 36"	12" to 24" (Reduced Depth optional on select cabinets)	84" to 96"

## SKU Coding

<b>UT</b> Cabinet Type (e.g., UT= Utility Cabinet)	<b>18</b> Width in Inches	<b>24</b> Depth in Inches	<b>X</b>	<b>90</b> Height in Inches
--	---------------------------------	---------------------------------	----------	----------------------------------

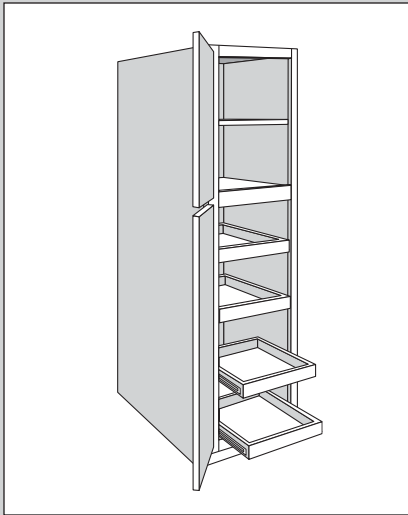
## Construction Options & Modifications

<b>APC</b> .....	All Plywood Construction
<b>CFO</b> .....	Cabinet Front Only
<b>FE</b> .....	Furniture Ends
<b>MI</b> .....	Matching Interior
<b>PE</b> .....	Plywood Ends
<b>RD</b> .....	Reduced Depth

## Specialty Door (SD) Cabinet Options

<b>AFBA</b> .....	Aluminum Frame – Brushed Aluminum
<b>AFVI</b> .....	Aluminum Frame – Vintage Iron
<b>HFD</b> .....	Horizontal Frame Door
<b>MFD</b> .....	Mullion Frame Door
<b>OFD</b> .....	Open Frame Door
<b>PFD</b> .....	Prairie Frame Door

Utility Cabinets



Utility cabinets range in size from 12" to 36" wide, 84" to 96" high and 12" to 24" deep.

Single door Utility cabinets are hinged left or right and can be reversed in the field.

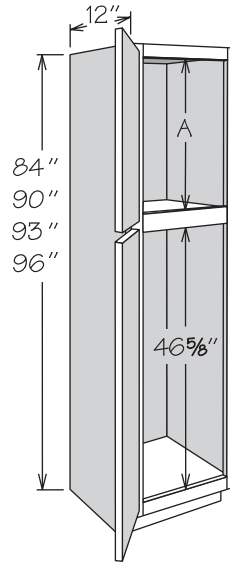
Specialty doors will apply to top doors only.

All Utility cabinet bottom doors will have a center rail with the exception of all Irvington, Sydney, Warren, Warren w/ DFO and Duraform door styles.

Inset Toe Kick construction requires BTK8 matching toe kick - must be ordered separately.

See page 45 for Ceiling Height Requirements information.

Utility Cabinet  
12" Deep • 2 Doors  
No Shelves



	A
84" High	26 1/8"
90" High	32 1/8"
93" High	35 1/8"
96" High	38 1/8"

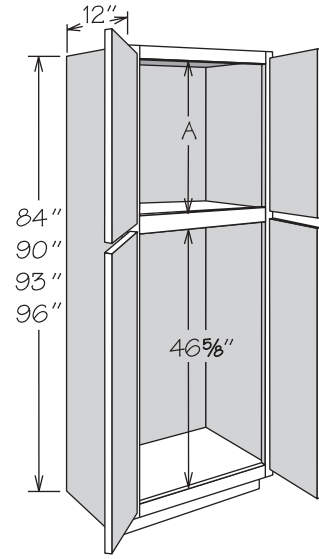
- UT1212 X 84
- UT1512 X 84
- UT1812 X 84
- UT1512 X 90
- UT1812 X 90
- UT1512 X 93
- UT1812 X 93
- UT1512 X 96
- UT1812 X 96

- UT1212 X 84 SD
- UT1512 X 84 SD
- UT1812 X 84 SD
- UT1512 X 90 SD
- UT1812 X 90 SD
- UT1512 X 93 SD
- UT1812 X 93 SD
- UT1512 X 96 SD
- UT1812 X 96 SD

APC
CFO
FE
■ MI
PE
RD

- Shelving and optional interior accessories may be ordered separately - refer to Utility Cabinet Accessories for details
- 4" inset toe kick assembly shipped inside 93" and 96" high cabinets - seam will be visible between toe kick box and side of cabinet

Utility Cabinet  
12" Deep • 4 Butt Doors  
No Shelves



	A
84" High	26 1/8"
90" High	32 1/8"
93" High	35 1/8"
96" High	38 1/8"

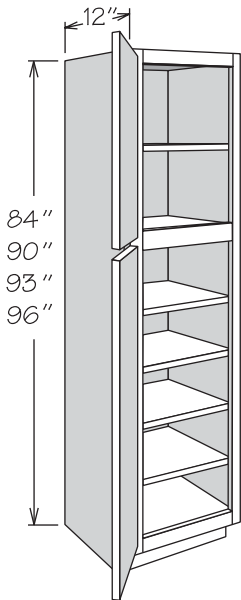
- UT2412 X 84 BUTT
- UT2412 X 90 BUTT
- UT2412 X 93 BUTT
- UT2412 X 96 BUTT

- UT2412 X 84 BUTT SD
- UT2412 X 90 BUTT SD
- UT2412 X 93 BUTT SD
- UT2412 X 96 BUTT SD

APC
CFO
FE
■ MI
PE
RD

- Shelving and optional interior accessories may be ordered separately - refer to Utility Cabinet Accessories for details
- 4" inset toe kick assembly shipped inside 93" and 96" high cabinets - seam will be visible between toe kick box and side of cabinet

**Utility Cabinet**  
 12" Deep • 2 Doors  
 With Adjustable Shelves



	Number Shelves Top Section	Number Shelves Lower Section
84" High	1	4
90" High	2	4
93" High	3	4
96" High	3	4

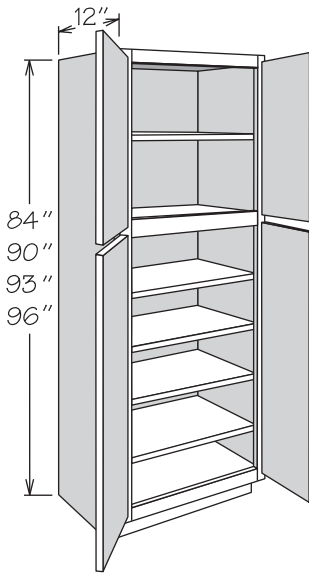
- UT1212 X 84 AS
- UT1512 X 84 AS
- UT1812 X 84 AS
- UT1512 X 90 AS
- UT1812 X 90 AS
- UT1512 X 93 AS
- UT1812 X 93 AS
- UT1512 X 96 AS
- UT1812 X 96 AS

- UT1212 X 84 AS SD
- UT1512 X 84 AS SD
- UT1812 X 84 AS SD
- UT1512 X 90 AS SD
- UT1812 X 90 AS SD
- UT1512 X 93 AS SD
- UT1812 X 93 AS SD
- UT1512 X 96 AS SD
- UT1812 X 96 AS SD

- Full-depth adjustable shelves are 3/4" engineered wood and edge banded on front edge only
- All shelving packaged separately for field installation
- 4" inset toe kick assembly shipped inside 93" and 96" high cabinets - seam will be visible between toe kick box and side of cabinet

APC
FE
■ MI
PE
RD

**Utility Cabinet**  
 12" Deep • 4 Butt Doors  
 With Adjustable Shelves



	Number Shelves Top Section	Number Shelves Lower Section
84" High	1	4
90" High	2	4
93" High	3	4
96" High	3	4

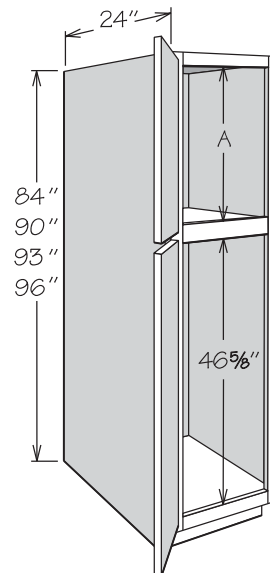
- UT2412 X 84 AS BUTT
- UT2412 X 90 AS BUTT
- UT2412 X 93 AS BUTT
- UT2412 X 96 AS BUTT

- UT2412 X 84 AS BUTT SD
- UT2412 X 90 AS BUTT SD
- UT2412 X 93 AS BUTT SD
- UT2412 X 96 AS BUTT SD

- Full-depth adjustable shelves are 3/4" engineered wood and edge banded on front edge only
- All shelving packaged separately for field installation
- 4" inset toe kick assembly shipped inside 93" and 96" high cabinets - seam will be visible between toe kick box and side of cabinet

APC
FE
■ MI
PE
RD

**Utility Cabinet**  
 24" Deep • 2 Doors  
 No Shelves



	A
84" High	26 7/8"
90" High	32 7/8"
93" High	35 7/8"
96" High	38 7/8"

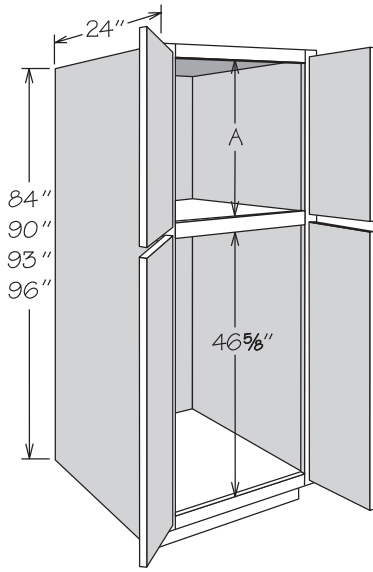
- UT1224 X 84
- UT1524 X 84
- UT1824 X 84
- UT1524 X 90
- UT1824 X 90
- UT1524 X 93
- UT1824 X 93
- UT1524 X 96
- UT1824 X 96

- UT1224 X 84 SD
- UT1524 X 84 SD
- UT1824 X 84 SD
- UT1524 X 90 SD
- UT1824 X 90 SD
- UT1524 X 93 SD
- UT1824 X 93 SD
- UT1524 X 96 SD
- UT1824 X 96 SD

- Shelving and optional interior accessories may be ordered separately - refer to Utility Cabinet Accessories for details
- Cabinet backs are pre-drilled to accept up to four Deep Roll Out Trays in lower section
- 4" inset toe kick assembly shipped inside 93" and 96" high cabinets - seam will be visible between toe kick box and side of cabinet

APC
CFO
FE
■ MI
PE
RD

**Utility Cabinet**  
24" Deep • 4 Butt Doors  
No Shelves

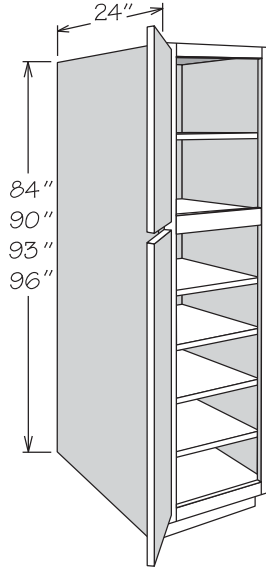


	A
84" High	26 7/8"
90" High	32 1/8"
93" High	35 1/8"
96" High	38 1/8"

- |  |   |     |     |    |      |    |    |
|--|---|-----|-----|----|------|----|----|
| <ul style="list-style-type: none"> <li>■ UT2424 X 84 BUTT</li> <li>■ UT3024 X 84 BUTT</li> <li>■ UT3624 X 84 BUTT</li> <li>■ UT2424 X 90 BUTT</li> <li>■ UT3024 X 90 BUTT</li> <li>■ UT3624 X 90 BUTT</li> <li>■ UT2424 X 93 BUTT</li> <li>■ UT3024 X 93 BUTT</li> <li>■ UT3624 X 93 BUTT</li> <li>■ UT2424 X 96 BUTT</li> <li>■ UT3024 X 96 BUTT</li> <li>■ UT3624 X 96 BUTT</li> </ul> | <table border="0"> <tr><td>APC</td></tr> <tr><td>CFO</td></tr> <tr><td>FE</td></tr> <tr><td>■ MI</td></tr> <tr><td>PE</td></tr> <tr><td>RD</td></tr> </table> | APC | CFO | FE | ■ MI | PE | RD |
| APC  |   |     |     |    |      |    |    |
| CFO  |   |     |     |    |      |    |    |
| FE   |   |     |     |    |      |    |    |
| ■ MI   |   |     |     |    |      |    |    |
| PE   |   |     |     |    |      |    |    |
| RD   |   |     |     |    |      |    |    |
- UT2424 X 84 BUTT SD  
 UT3024 X 84 BUTT SD  
 UT3624 X 84 BUTT SD  
 UT2424 X 90 BUTT SD  
 UT3024 X 90 BUTT SD  
 UT3624 X 90 BUTT SD  
 UT2424 X 93 BUTT SD  
 UT3024 X 93 BUTT SD  
 UT3624 X 93 BUTT SD  
 UT2424 X 96 BUTT SD  
 UT3024 X 96 BUTT SD  
 UT3624 X 96 BUTT SD

- Shelving and optional interior accessories may be ordered separately – refer to Utility Cabinet Accessories for details
- Cabinet backs are pre-drilled to accept up to four Deep Roll Out Trays in lower section
- 4" inset toe kick assembly shipped inside 93" and 96" high cabinets - seam will be visible between toe kick box and side of cabinet

**Utility Cabinet**  
24" Deep • 2 Doors  
With Adjustable Shelves

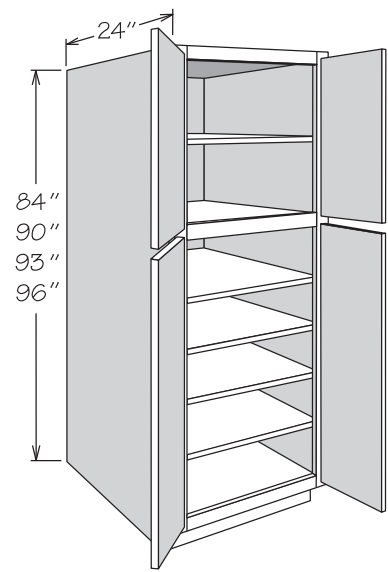


	Number Shelves Top Section	Number Shelves Lower Section
84" High	1	4
90" High	2	4
93" High	3	4
96" High	3	4

- |  |   |     |    |      |    |    |
|--|---|-----|----|------|----|----|
| <ul style="list-style-type: none"> <li>■ UT1224 X 84 AS</li> <li>■ UT1524 X 84 AS</li> <li>■ UT1824 X 84 AS</li> <li>■ UT1524 X 90 AS</li> <li>■ UT1824 X 90 AS</li> <li>■ UT1524 X 93 AS</li> <li>■ UT1824 X 93 AS</li> <li>■ UT1524 X 96 AS</li> <li>■ UT1824 X 96 AS</li> </ul> | <table border="0"> <tr><td>APC</td></tr> <tr><td>FE</td></tr> <tr><td>■ MI</td></tr> <tr><td>PE</td></tr> <tr><td>RD</td></tr> </table> | APC | FE | ■ MI | PE | RD |
| APC  |   |     |    |      |    |    |
| FE   |   |     |    |      |    |    |
| ■ MI   |   |     |    |      |    |    |
| PE   |   |     |    |      |    |    |
| RD   |   |     |    |      |    |    |
- UT1224 X 84 AS SD  
 UT1524 X 84 AS SD  
 UT1824 X 84 AS SD  
 UT1524 X 90 AS SD  
 UT1824 X 90 AS SD  
 UT1524 X 93 AS SD  
 UT1824 X 93 AS SD  
 UT1524 X 96 AS SD  
 UT1824 X 96 AS SD

- Full-depth adjustable shelves are 3/4" engineered wood and edge banded on front edge only
- All shelving packaged separately for field installation
- 4" inset toe kick assembly shipped inside 93" and 96" high cabinets - seam will be visible between toe kick box and side of cabinet

**Utility Cabinet**  
24" Deep • 4 Butt Doors  
With Adjustable Shelves

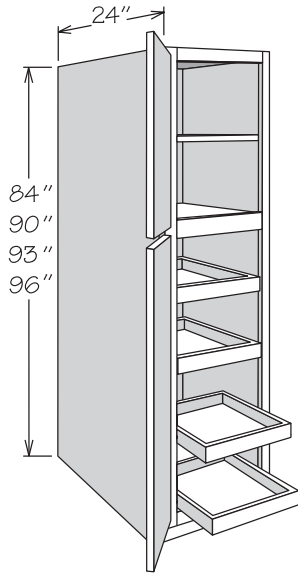


	Number Shelves Top Section	Number Shelves Lower Section
84" High	1	4
90" High	2	4
93" High	3	4
96" High	3	4

- |  |   |     |    |      |    |    |
|--|---|-----|----|------|----|----|
| <ul style="list-style-type: none"> <li>■ UT2424 X 84 AS BUTT</li> <li>■ UT3024 X 84 AS BUTT</li> <li>■ UT3624 X 84 AS BUTT</li> <li>■ UT2424 X 90 AS BUTT</li> <li>■ UT3024 X 90 AS BUTT</li> <li>■ UT3624 X 90 AS BUTT</li> <li>■ UT2424 X 93 AS BUTT</li> <li>■ UT3024 X 93 AS BUTT</li> <li>■ UT3624 X 93 AS BUTT</li> <li>■ UT2424 X 96 AS BUTT</li> <li>■ UT3024 X 96 AS BUTT</li> <li>■ UT3624 X 96 AS BUTT</li> </ul> | <table border="0"> <tr><td>APC</td></tr> <tr><td>FE</td></tr> <tr><td>■ MI</td></tr> <tr><td>PE</td></tr> <tr><td>RD</td></tr> </table> | APC | FE | ■ MI | PE | RD |
| APC  |   |     |    |      |    |    |
| FE   |   |     |    |      |    |    |
| ■ MI   |   |     |    |      |    |    |
| PE   |   |     |    |      |    |    |
| RD   |   |     |    |      |    |    |
- UT2424 X 84 AS BUTT SD  
 UT3024 X 84 AS BUTT SD  
 UT3624 X 84 AS BUTT SD  
 UT2424 X 90 AS BUTT SD  
 UT3024 X 90 AS BUTT SD  
 UT3624 X 90 AS BUTT SD  
 UT2424 X 93 AS BUTT SD  
 UT3024 X 93 AS BUTT SD  
 UT3624 X 93 AS BUTT SD  
 UT2424 X 96 AS BUTT SD  
 UT3024 X 96 AS BUTT SD  
 UT3624 X 96 AS BUTT SD

- Full-depth adjustable shelves are 3/4" engineered wood and edge banded on front edge only
- All shelving packaged separately for field installation
- 4" inset toe kick assembly shipped inside 93" and 96" high cabinets - seam will be visible between toe kick box and side of cabinet

**Utility Cabinet**  
24" Deep • 2 Doors  
With Deep Roll Out Trays

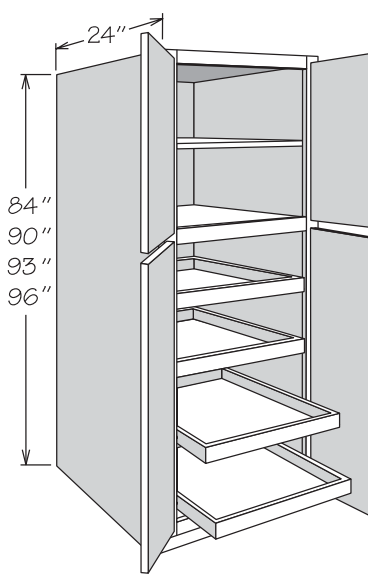


	Number Shelves Top Section	Number Deep Roll Out Trays
84" High	1	4
90" High	2	4
93" High	3	4
96" High	3	4

- |                     |      |
|---------------------|------|
| ■ UT1224 X 84 4ROT  | APC  |
| ■ UT1524 X 84 4ROT  | FE   |
| ■ UT1824 X 84 4ROT  | ■ MI |
|                     | PE   |
|                     | RD   |
| ■ UT1524 X 90 4ROT  |      |
| ■ UT1824 X 90 4ROT  |      |
| ■ UT1524 X 93 4ROT  |      |
| ■ UT1824 X 93 4ROT  |      |
| ■ UT1524 X 96 4ROT  |      |
| ■ UT1824 X 96 4ROT  |      |
| UT1224 X 84 4ROT SD |      |
| UT1524 X 84 4ROT SD |      |
| UT1824 X 84 4ROT SD |      |
| UT1524 X 90 4ROT SD |      |
| UT1824 X 90 4ROT SD |      |
| UT1524 X 93 4ROT SD |      |
| UT1824 X 93 4ROT SD |      |
| UT1524 X 96 4ROT SD |      |
| UT1824 X 96 4ROT SD |      |

- Full-depth adjustable shelves are 3/4" engineered wood and edge banded on front edge only
- All shelving and Deep Roll Out Trays packaged separately for field installation
- 4" inset toe kick assembly shipped inside 93" and 96" high cabinets - seam will be visible between toe kick box and side of cabinet

**Utility Cabinet**  
24" Deep • 4 Butt Doors  
With Deep Roll Out Trays

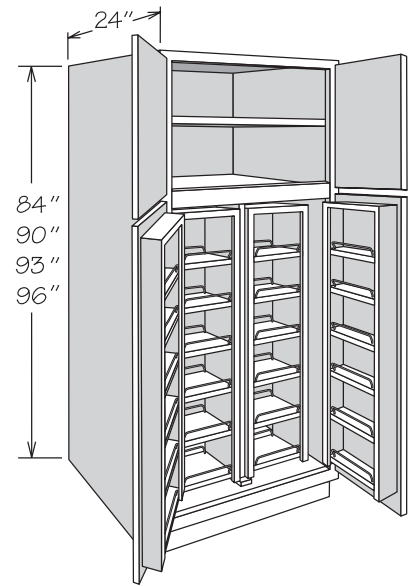


	Number Shelves Top Section	Number Deep Roll Out Trays
84" High	1	4
90" High	2	4
93" High	3	4
96" High	3	4

- |                          |      |
|--------------------------|------|
| ■ UT2424 X 84 4ROT BUTT  | APC  |
| ■ UT3024 X 84 4ROT BUTT  | FE   |
| ■ UT3624 X 84 4ROT BUTT  | ■ MI |
|                          | PE   |
|                          | RD   |
| ■ UT2424 X 90 4ROT BUTT  |      |
| ■ UT3024 X 90 4ROT BUTT  |      |
| ■ UT3624 X 90 4ROT BUTT  |      |
| ■ UT2424 X 93 4ROT BUTT  |      |
| ■ UT3024 X 93 4ROT BUTT  |      |
| ■ UT3624 X 93 4ROT BUTT  |      |
| ■ UT2424 X 96 4ROT BUTT  |      |
| ■ UT3024 X 96 4ROT BUTT  |      |
| ■ UT3624 X 96 4ROT BUTT  |      |
| UT2424 X 84 4ROT BUTT SD |      |
| UT3024 X 84 4ROT BUTT SD |      |
| UT3624 X 84 4ROT BUTT SD |      |
| UT2424 X 90 4ROT BUTT SD |      |
| UT3024 X 90 4ROT BUTT SD |      |
| UT3624 X 90 4ROT BUTT SD |      |
| UT2424 X 93 4ROT BUTT SD |      |
| UT3024 X 93 4ROT BUTT SD |      |
| UT3624 X 93 4ROT BUTT SD |      |
| UT2424 X 96 4ROT BUTT SD |      |
| UT3024 X 96 4ROT BUTT SD |      |
| UT3624 X 96 4ROT BUTT SD |      |

- Full-depth adjustable shelves are 3/4" engineered wood and edge banded on front edge only
- All shelving and Deep Roll Out Trays packaged separately for field installation
- 4" inset toe kick assembly shipped inside 93" and 96" high cabinets - seam will be visible between toe kick box and side of cabinet

**Utility Cabinet**  
24" Deep • 4 Butt Doors  
With Pantry Storage

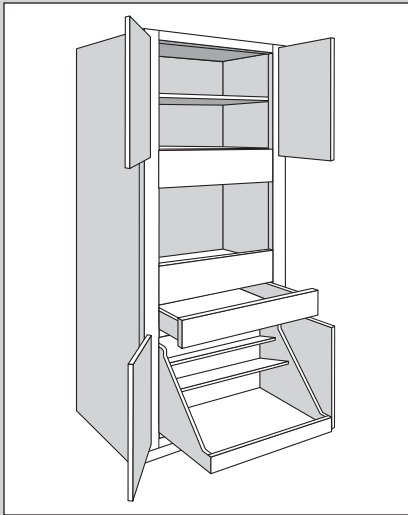


	Number Shelves Top Section
84" High	1
90" High	2
93" High	3
96" High	3

- |                          |      |
|--------------------------|------|
| ■ UT3624 X 84 PCDS BUTT  | APC  |
| ■ UT3624 X 90 PCDS BUTT  | FE   |
| ■ UT3624 X 93 PCDS BUTT  | ■ MI |
| ■ UT3624 X 96 PCDS BUTT  | PE   |
| UT3624 X 84 PCDS BUTT SD |      |
| UT3624 X 90 PCDS BUTT SD |      |
| UT3624 X 93 PCDS BUTT SD |      |
| UT3624 X 96 PCDS BUTT SD |      |

- Accessories and shelving packaged separately for field installation and include:
  - Pantry Swing Out Kit (PCSK36)
  - Two Pantry Door Shelf Kits (PDSK18)
  - Utility Cabinet Shelf and Pilaster Kit (PSK36)
- Full-depth adjustable shelves are 3/4" engineered wood and edge banded on front edge only
- 4" inset toe kick assembly shipped inside 93" and 96" high cabinets - seam will be visible between toe kick box and side of cabinet
- Minimum filler width of 4 1/2" recommended for installation of this cabinet next to deeper adjacent objects including cabinets, walls, appliances and countertops

Oven Cabinets



Oven cabinets range in size from 27" to 33" wide, from 84" to 96" high and are 24" deep.

Inset toe kick construction requires BTK8 matching toe kick - must be ordered separately.

Oven cabinets have 3/8" wide stiles and face-mounted hinges. All oven cabinets feature a solid back.

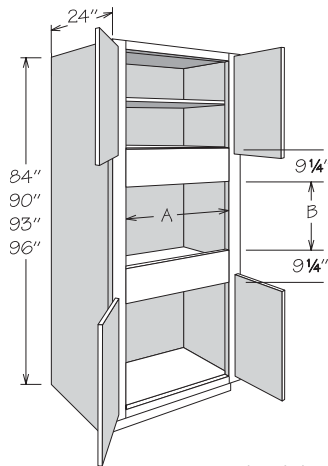
Shelves are full-depth 3/4" engineered wood and edge banded on front edge only.

Shelves and accessories are packaged separately for field installation.

4" inset toe kick assembly shipped inside 93" and 96" high oven cabinets -- all 33" wide x 93" high oven toe kicks ship as two pieces.

See page 45 for Ceiling Height Requirements information.

Single Oven Cabinet  
4 Butt Doors



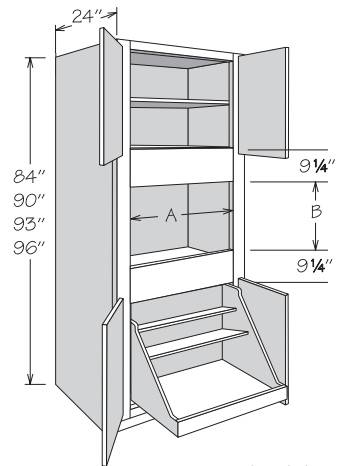
Number Shelves	
84" High	0
90" High	1
93" High	2
96" High	2

Cut Out Dimensions	A		B	
	Actual	A Max.	Actual	B Max.
OVS2784 BUTT	20 3/4"	25"	22 1/2"	37 3/8"
OVS3084 BUTT	23 3/4"	28"	22 1/2"	37 3/8"
OVS3384 BUTT	26 3/4"	31"	22 1/2"	37 3/8"
OVS2790 AS BUTT	20 3/4"	25"	21 1/4"	37"
OVS3090 AS BUTT	23 3/4"	28"	21 1/4"	37"
OVS3390 AS BUTT	26 3/4"	31"	21 1/4"	37"
OVS2793 AS BUTT	20 3/4"	25"	22 1/2"	37 3/8"
OVS3093 AS BUTT	23 3/4"	28"	22 1/2"	37 3/8"
OVS3393 AS BUTT	26 3/4"	31"	22 1/2"	37 3/8"
OVS2796 AS BUTT	20 3/4"	25"	22 1/2"	37 3/8"
OVS3096 AS BUTT	23 3/4"	28"	22 1/2"	37 3/8"
OVS3396 AS BUTT	26 3/4"	31"	22 1/2"	37 3/8"

OVS2784 BUTT	APC
OVS3084 BUTT	CFO
OVS3384 BUTT	FE
	PE
	RD
OVS2790 AS BUTT	
OVS3090 AS BUTT	
OVS3390 AS BUTT	
OVS2793 AS BUTT	
OVS3093 AS BUTT	
OVS3393 AS BUTT	
OVS2796 AS BUTT	
OVS3096 AS BUTT	
OVS3396 AS BUTT	

- Order Oven Support Shelf (OSS\_\_\_) separately
- Refer to appliance manufacturer's specifications for adequate clearances and required installation materials
- Heat Shield Kit (HSK) recommended for Duraform thermofoil door styles

Single Oven Cabinet  
4 Butt Doors  
1 Pot & Pan Organizer



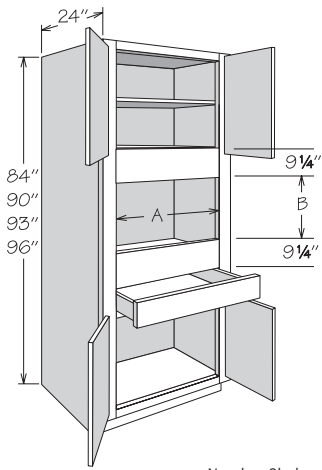
Number Shelves	
84" High	0
90" High	1
93" High	2
96" High	2

Cut Out Dimensions	A		B	
	Actual	A Max.	Actual	B Max.
OVS2784 BUTT BPP0	20 3/4"	25"	22 1/2"	37 3/8"
OVS3084 BUTT BPP0	23 3/4"	28"	22 1/2"	37 3/8"
OVS3384 BUTT BPP0	26 3/4"	31"	22 1/2"	37 3/8"
OVS2790 BUTT BPP0	20 3/4"	25"	21 1/4"	37"
OVS3090 BUTT BPP0	23 3/4"	28"	21 1/4"	37"
OVS3390 BUTT BPP0	26 3/4"	31"	21 1/4"	37"
OVS2793 BUTT BPP0	20 3/4"	25"	22 1/2"	37 3/8"
OVS3093 BUTT BPP0	23 3/4"	28"	22 1/2"	37 3/8"
OVS3393 BUTT BPP0	26 3/4"	31"	22 1/2"	37 3/8"
OVS2796 BUTT BPP0	20 3/4"	25"	22 1/2"	37 3/8"
OVS3096 BUTT BPP0	23 3/4"	28"	22 1/2"	37 3/8"
OVS3396 BUTT BPP0	26 3/4"	31"	22 1/2"	37 3/8"

OVS2784 BUTT BPP0	APC
OVS3084 BUTT BPP0	FE
OVS3384 BUTT BPP0	PE
OVS2790 BUTT BPP0	
OVS3090 BUTT BPP0	
OVS3390 BUTT BPP0	
OVS2793 BUTT BPP0	
OVS3093 BUTT BPP0	
OVS3393 BUTT BPP0	
OVS2796 BUTT BPP0	
OVS3096 BUTT BPP0	
OVS3396 BUTT BPP0	

- Order Oven Support Shelf (OSS\_\_\_) separately
- Organizer in natural finish solid wood and wood veneer construction
- Organizer top shelf measures 6 3/8" deep
- Organizer middle shelf measures 9 3/4" deep
- Refer to appliance manufacturer's specifications for adequate clearances and required installation materials
- Heat Shield Kit (HSK) recommended for Duraform thermofoil door styles

**Single Oven Cabinet**  
4 Butt Doors • 1 Drawer



Number Shelves

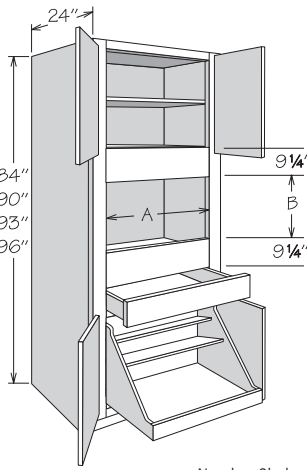
84" High	0
90" High	1
93" High	2
96" High	2

Cut Out Dimensions	A		B	
	Actual	Max.	Actual	Max.
OVS2784 BUTT 1DWR	20 3/4"	25"	16 1/2"	31 3/8"
OVS3084 BUTT 1DWR	23 3/4"	28"	16 1/2"	31 3/8"
OVS3384 BUTT 1DWR	26 3/4"	31"	16 1/2"	31 3/8"
OVS2790 AS BUTT 1DWR	20 3/4"	25"	15 3/4"	31"
OVS3090 AS BUTT 1DWR	23 3/4"	28"	15 3/4"	31"
OVS3390 AS BUTT 1DWR	26 3/4"	31"	15 3/4"	31"
OVS2793 AS BUTT 1DWR	20 3/4"	25"	16 1/2"	31 3/8"
OVS3093 AS BUTT 1DWR	23 3/4"	28"	16 1/2"	31 3/8"
OVS3393 AS BUTT 1DWR	26 3/4"	31"	16 1/2"	31 3/8"
OVS2796 AS BUTT 1DWR	20 3/4"	25"	16 1/2"	31 3/8"
OVS3096 AS BUTT 1DWR	23 3/4"	28"	16 1/2"	31 3/8"
OVS3396 AS BUTT 1DWR	26 3/4"	31"	16 1/2"	31 3/8"

OVS2784 BUTT 1DWR	APC
OVS3084 BUTT 1DWR	CFO
OVS3384 BUTT 1DWR	FE
	PE
	RD
OVS2790 AS BUTT 1DWR	
OVS3090 AS BUTT 1DWR	
OVS3390 AS BUTT 1DWR	
OVS2793 AS BUTT 1DWR	
OVS3093 AS BUTT 1DWR	
OVS3393 AS BUTT 1DWR	
OVS2796 AS BUTT 1DWR	
OVS3096 AS BUTT 1DWR	
OVS3396 AS BUTT 1DWR	

- Order Oven Support Shelf (OSS\_\_\_) separately
- One standard drawer
- Refer to appliance manufacturer's specifications for adequate clearances and required installation materials
- Heat Shield Kit (HSK) recommended for Duraform thermofoil door styles

**Single Oven Cabinet**  
4 Butt Doors • 1 Drawer  
1 Pot & Pan Organizer



Number Shelves

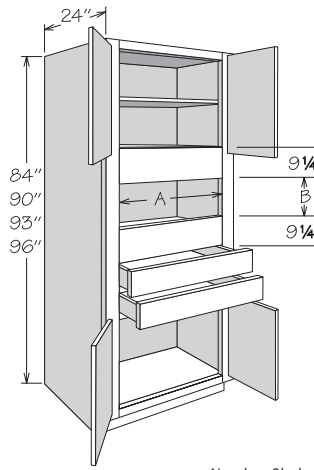
84" High	0
90" High	1
93" High	2
96" High	2

Cut Out Dimensions	A		B	
	Actual	Max.	Actual	Max.
OVS2784 BUTT 1DWR BPP0	20 3/4"	25"	16 1/2"	31 3/8"
OVS3084 BUTT 1DWR BPP0	23 3/4"	28"	16 1/2"	31 3/8"
OVS3384 BUTT 1DWR BPP0	26 3/4"	31"	16 1/2"	31 3/8"
OVS2790 BUTT 1DWR BPP0	20 3/4"	25"	15 3/4"	31"
OVS3090 BUTT 1DWR BPP0	23 3/4"	28"	15 3/4"	31"
OVS3390 BUTT 1DWR BPP0	26 3/4"	31"	15 3/4"	31"
OVS2793 BUTT 1DWR BPP0	20 3/4"	25"	16 1/2"	31 3/8"
OVS3093 BUTT 1DWR BPP0	23 3/4"	28"	16 1/2"	31 3/8"
OVS3393 BUTT 1DWR BPP0	26 3/4"	31"	16 1/2"	31 3/8"
OVS2796 BUTT 1DWR BPP0	20 3/4"	25"	16 1/2"	31 3/8"
OVS3096 BUTT 1DWR BPP0	23 3/4"	28"	16 1/2"	31 3/8"
OVS3396 BUTT 1DWR BPP0	26 3/4"	31"	16 1/2"	31 3/8"

OVS2784 BUTT 1DWR BPP0	APC
OVS3084 BUTT 1DWR BPP0	FE
OVS3384 BUTT 1DWR BPP0	PE
OVS2790 BUTT 1DWR BPP0	
OVS3090 BUTT 1DWR BPP0	
OVS3390 BUTT 1DWR BPP0	
OVS2793 BUTT 1DWR BPP0	
OVS3093 BUTT 1DWR BPP0	
OVS3393 BUTT 1DWR BPP0	
OVS2796 BUTT 1DWR BPP0	
OVS3096 BUTT 1DWR BPP0	
OVS3396 BUTT 1DWR BPP0	

- Order Oven Support Shelf (OSS\_\_\_) separately
- One standard drawer
- Organizer in natural finish solid wood and wood veneer construction
- Organizer top shelf measures 6 3/8" deep
- Organizer middle shelf measures 9 3/4" deep
- Refer to appliance manufacturer's specifications for adequate clearances and required installation materials
- Heat Shield Kit (HSK) recommended for Duraform thermofoil door styles

**Single Oven Cabinet**  
4 Butt Doors • 2 Drawers



Number Shelves

84" High	0
90" High	1
93" High	2
96" High	2

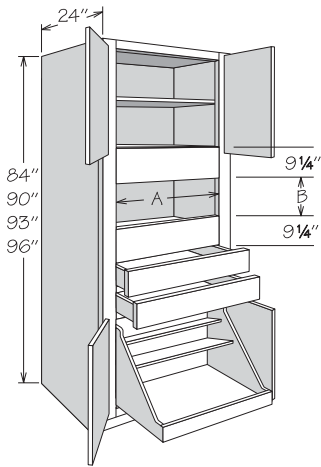
Cut Out Dimensions	A		B	
	Actual	Max.	Actual	Max.
OVS2784 BUTT 2DWR	20 3/4"	25"	10 1/2"	25 3/8"
OVS3084 BUTT 2DWR	23 3/4"	28"	10 1/2"	25 3/8"
OVS3384 BUTT 2DWR	26 3/4"	31"	10 1/2"	25 3/8"
OVS2790 AS BUTT 2DWR	20 3/4"	25"	9 3/4"	25"
OVS3090 AS BUTT 2DWR	23 3/4"	28"	9 3/4"	25"
OVS3390 AS BUTT 2DWR	26 3/4"	31"	9 3/4"	25"
OVS2793 AS BUTT 2DWR	20 3/4"	25"	10 1/2"	25 3/8"
OVS3093 AS BUTT 2DWR	23 3/4"	28"	10 1/2"	25 3/8"
OVS3393 AS BUTT 2DWR	26 3/4"	31"	10 1/2"	25 3/8"
OVS2796 AS BUTT 2DWR	20 3/4"	25"	10 1/2"	25 3/8"
OVS3096 AS BUTT 2DWR	23 3/4"	28"	10 1/2"	25 3/8"
OVS3396 AS BUTT 2DWR	26 3/4"	31"	10 1/2"	25 3/8"

OVS2784 BUTT 2DWR	APC
OVS3084 BUTT 2DWR	CFO
OVS3384 BUTT 2DWR	FE
	PE
	RD
OVS2790 AS BUTT 2DWR	
OVS3090 AS BUTT 2DWR	
OVS3390 AS BUTT 2DWR	
OVS2793 AS BUTT 2DWR	
OVS3093 AS BUTT 2DWR	
OVS3393 AS BUTT 2DWR	
OVS2796 AS BUTT 2DWR	
OVS3096 AS BUTT 2DWR	
OVS3396 AS BUTT 2DWR	

- Order Oven Support Shelf (OSS\_\_\_) separately
- Two standard drawers
- Refer to appliance manufacturer's specifications for adequate clearances and required installation materials
- Heat Shield Kit (HSK) recommended for Duraform thermofoil door styles

**Single Oven Cabinet**

4 Butt Doors • 2 Drawers  
1 Pot & Pan Organizer



Number Shelves

84" High	0
90" High	1
93" High	2
96" High	2

Cut Out Dimensions	A		B	
	Actual	Max.	Actual	Max.
OVS2784 BUTT 2DWR BPPO	20 3/4"	25"	10 1/8"	25 3/8"
OVS3084 BUTT 2DWR BPPO	23 3/4"	28"	10 1/8"	25 3/8"
OVS3384 BUTT 2DWR BPPO	26 3/4"	31"	10 1/8"	25 3/8"
OVS2790 BUTT 2DWR BPPO	20 3/4"	25"	9 3/4"	25"
OVS3090 BUTT 2DWR BPPO	23 3/4"	28"	9 3/4"	25"
OVS3390 BUTT 2DWR BPPO	26 3/4"	31"	9 3/4"	25"
OVS2793 BUTT 2DWR BPPO	20 3/4"	25"	10 1/8"	25 3/8"
OVS3093 BUTT 2DWR BPPO	23 3/4"	28"	10 1/8"	25 3/8"
OVS3393 BUTT 2DWR BPPO	26 3/4"	31"	10 1/8"	25 3/8"
OVS2796 BUTT 2DWR BPPO	20 3/4"	25"	10 1/8"	25 3/8"
OVS3096 BUTT 2DWR BPPO	23 3/4"	28"	10 1/8"	25 3/8"
OVS3396 BUTT 2DWR BPPO	26 3/4"	31"	10 1/8"	25 3/8"

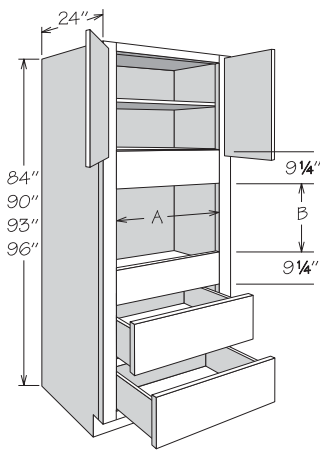
APC
FE
PE

- OVS2784 BUTT 2DWR BPPO
- OVS3084 BUTT 2DWR BPPO
- OVS3384 BUTT 2DWR BPPO
- OVS2790 BUTT 2DWR BPPO
- OVS3090 BUTT 2DWR BPPO
- OVS3390 BUTT 2DWR BPPO
- OVS2793 BUTT 2DWR BPPO
- OVS3093 BUTT 2DWR BPPO
- OVS3393 BUTT 2DWR BPPO
- OVS2796 BUTT 2DWR BPPO
- OVS3096 BUTT 2DWR BPPO
- OVS3396 BUTT 2DWR BPPO

- Order Oven Support Shelf (OSS\_\_\_) separately
- Two standard drawers
- Organizer in natural finish solid wood and wood veneer construction
- Organizer top shelf measures 6 3/8" deep
- Organizer middle shelf measures 9 3/4" deep
- Refer to appliance manufacturer's specifications for adequate clearances and required installation materials
- Heat Shield Kit (HSK) recommended for Duraform thermofoil door styles

**Single Oven Cabinet**

2 Butt Doors • 2 Large Drawers



Number Shelves

84" High	0
90" High	1
93" High	2
96" High	2

Cut Out Dimensions	A		B	
	Actual	Max.	Actual	Max.
OVS2784 BUTT 2DDWR	20 3/4"	25"	22 1/8"	37 3/8"
OVS3084 BUTT 2DDWR	23 3/4"	28"	22 1/8"	37 3/8"
OVS3384 BUTT 2DDWR	26 3/4"	31"	22 1/8"	37 3/8"
OVS2790 AS BUTT 2DDWR	20 3/4"	25"	21 3/4"	37"
OVS3090 AS BUTT 2DDWR	23 3/4"	28"	21 3/4"	37"
OVS3390 AS BUTT 2DDWR	26 3/4"	31"	21 3/4"	37"
OVS2793 AS BUTT 2DDWR	20 3/4"	25"	22 1/8"	37 3/8"
OVS3093 AS BUTT 2DDWR	23 3/4"	28"	22 1/8"	37 3/8"
OVS3393 AS BUTT 2DDWR	26 3/4"	31"	22 1/8"	37 3/8"
OVS2796 AS BUTT 2DDWR	20 3/4"	25"	22 1/8"	37 3/8"
OVS3096 AS BUTT 2DDWR	23 3/4"	28"	22 1/8"	37 3/8"
OVS3396 AS BUTT 2DDWR	26 3/4"	31"	22 1/8"	37 3/8"

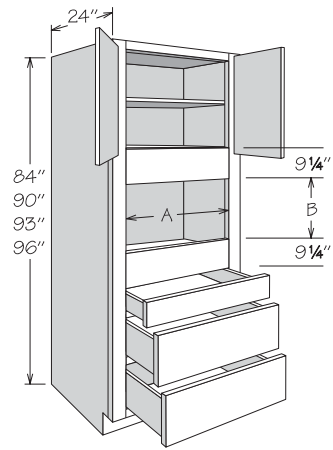
APC
CFO
FE
PE
RD

- OVS2784 BUTT 2DDWR
- OVS3084 BUTT 2DDWR
- OVS3384 BUTT 2DDWR
- OVS2790 AS BUTT 2DDWR
- OVS3090 AS BUTT 2DDWR
- OVS3390 AS BUTT 2DDWR
- OVS2793 AS BUTT 2DDWR
- OVS3093 AS BUTT 2DDWR
- OVS3393 AS BUTT 2DDWR
- OVS2796 AS BUTT 2DDWR
- OVS3096 AS BUTT 2DDWR
- OVS3396 AS BUTT 2DDWR

- Order Oven Support Shelf (OSS\_\_\_) separately
- Two large drawers
- Refer to appliance manufacturer's specifications for adequate clearances and required installation materials
- Heat Shield Kit (HSK) recommended for Duraform thermofoil door styles

**Single Oven Cabinet**

2 Butt Doors • 3 Drawers



Number Shelves

84" High	0
90" High	1
93" High	2
96" High	2

Cut Out Dimensions	A		B	
	Actual	Max.	Actual	Max.
OVS2784 BUTT 3DWR	20 3/4"	25"	16 1/8"	31 3/8"
OVS3084 BUTT 3DWR	23 3/4"	28"	16 1/8"	31 3/8"
OVS3384 BUTT 3DWR	26 3/4"	31"	16 1/8"	31 3/8"
OVS2790 AS BUTT 3DWR	20 3/4"	25"	15 3/4"	31"
OVS3090 AS BUTT 3DWR	23 3/4"	28"	15 3/4"	31"
OVS3390 AS BUTT 3DWR	26 3/4"	31"	15 3/4"	31"
OVS2793 AS BUTT 3DWR	20 3/4"	25"	16 1/8"	31 3/8"
OVS3093 AS BUTT 3DWR	23 3/4"	28"	16 1/8"	31 3/8"
OVS3393 AS BUTT 3DWR	26 3/4"	31"	16 1/8"	31 3/8"
OVS2796 AS BUTT 3DWR	20 3/4"	25"	16 1/8"	31 3/8"
OVS3096 AS BUTT 3DWR	23 3/4"	28"	16 1/8"	31 3/8"
OVS3396 AS BUTT 3DWR	26 3/4"	31"	16 1/8"	31 3/8"

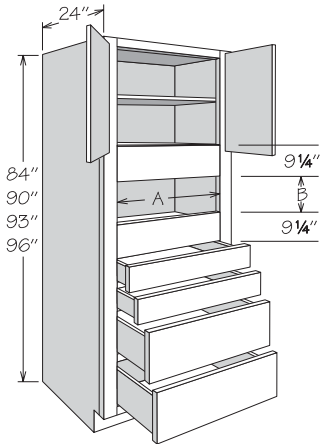
APC
CFO
FE
PE
RD

- OVS2784 BUTT 3DWR
- OVS3084 BUTT 3DWR
- OVS3384 BUTT 3DWR
- OVS2790 AS BUTT 3DWR
- OVS3090 AS BUTT 3DWR
- OVS3390 AS BUTT 3DWR
- OVS2793 AS BUTT 3DWR
- OVS3093 AS BUTT 3DWR
- OVS3393 AS BUTT 3DWR
- OVS2796 AS BUTT 3DWR
- OVS3096 AS BUTT 3DWR
- OVS3396 AS BUTT 3DWR

- Order Oven Support Shelf (OSS\_\_\_) separately
- One standard and two large drawers
- Refer to appliance manufacturer's specifications for adequate clearances and required installation materials
- Heat Shield Kit (HSK) recommended for Duraform thermofoil door styles



**Single Oven Cabinet**  
**2 Butt Doors • 4 Drawers**



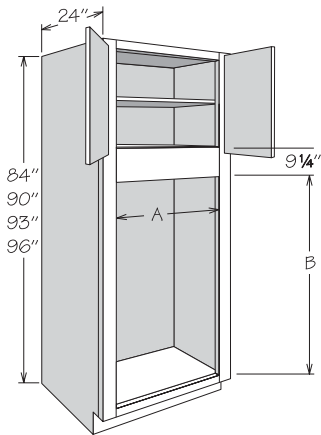
	Number Shelves
84" High	0
90" High	1
93" High	2
96" High	2

Cut Out Dimensions	A		B	
	Actual	Max.	Actual	Max.
OVS2784 BUTT 4DWR	20 3/4"	25"	10 1/8"	25 3/8"
OVS3084 BUTT 4DWR	23 3/4"	28"	10 1/8"	25 3/8"
OVS3384 BUTT 4DWR	26 3/4"	31"	10 1/8"	25 3/8"
OVS2790 AS BUTT 4DWR	20 3/4"	25"	9 3/4"	25"
OVS3090 AS BUTT 4DWR	23 3/4"	28"	9 3/4"	25"
OVS3390 AS BUTT 4DWR	26 3/4"	31"	9 3/4"	25"
OVS2793 AS BUTT 4DWR	20 3/4"	25"	10 1/8"	25 3/8"
OVS3093 AS BUTT 4DWR	23 3/4"	28"	10 1/8"	25 3/8"
OVS3393 AS BUTT 4DWR	26 3/4"	31"	10 1/8"	25 3/8"
OVS2796 AS BUTT 4DWR	20 3/4"	25"	10 1/8"	25 3/8"
OVS3096 AS BUTT 4DWR	23 3/4"	28"	10 1/8"	25 3/8"
OVS3396 AS BUTT 4DWR	26 3/4"	31"	10 1/8"	25 3/8"

OVS2784 BUTT 4DWR	APC
OVS3084 BUTT 4DWR	CFO
OVS3384 BUTT 4DWR	FE
	PE
	RD
OVS2790 AS BUTT 4DWR	
OVS3090 AS BUTT 4DWR	
OVS3390 AS BUTT 4DWR	
OVS2793 AS BUTT 4DWR	
OVS3093 AS BUTT 4DWR	
OVS3393 AS BUTT 4DWR	
OVS2796 AS BUTT 4DWR	
OVS3096 AS BUTT 4DWR	
OVS3396 AS BUTT 4DWR	

- Order Oven Support Shelf (OSS\_\_\_) separately
- Two standard and two large drawers
- Refer to appliance manufacturer's specifications for adequate clearances and required installation materials
- Heat Shield Kit (HSK) recommended for Duraform thermofoil door styles

**Double Oven Cabinet**  
2 Butt Doors • No Drawer



Number Shelves

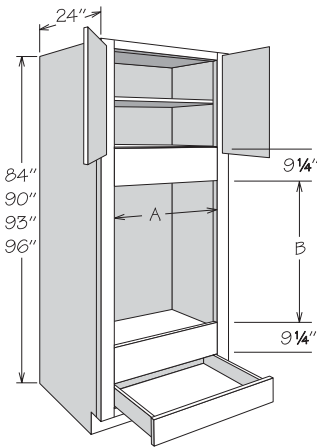
84" High	0
90" High	1
93" High	2
96" High	2

Cut Out Dimensions	A		B	
	Actual	Max.	Actual	Max.
OVD2784 BUTT NDWR	20 3/4"	25"	52 3/8"	60 1/4"
OVD3084 BUTT NDWR	23 3/4"	28"	52 3/8"	60 1/4"
OVD3384 BUTT NDWR	26 3/4"	31"	52 3/8"	60 1/4"
OVD2790 AS BUTT NDWR	20 3/4"	25"	52 1/4"	59 7/8"
OVD3090 AS BUTT NDWR	23 3/4"	28"	52 1/4"	59 7/8"
OVD3390 AS BUTT NDWR	26 3/4"	31"	52 1/4"	59 7/8"
OVD2793 AS BUTT NDWR	20 3/4"	25"	52 3/8"	60 1/4"
OVD3093 AS BUTT NDWR	23 3/4"	28"	52 3/8"	60 1/4"
OVD3393 AS BUTT NDWR	26 3/4"	31"	52 3/8"	60 1/4"
OVD2796 AS BUTT NDWR	20 3/4"	25"	52 3/8"	60 1/4"
OVD3096 AS BUTT NDWR	23 3/4"	28"	52 3/8"	60 1/4"
OVD3396 AS BUTT NDWR	26 3/4"	31"	52 3/8"	60 1/4"

OVD2784 BUTT NDWR	APC
OVD3084 BUTT NDWR	CFO
OVD3384 BUTT NDWR	FE
	RD
OVD2790 AS BUTT NDWR	
OVD3090 AS BUTT NDWR	
OVD3390 AS BUTT NDWR	
OVD2793 AS BUTT NDWR	
OVD3093 AS BUTT NDWR	
OVD3393 AS BUTT NDWR	
OVD2796 AS BUTT NDWR	
OVD3096 AS BUTT NDWR	
OVD3396 AS BUTT NDWR	

- No drawer
- Oven Support Shelf recommended - order separately
- Refer to appliance manufacturer's specifications for adequate clearances and required installation materials
- Heat Shield Kit (HSK) recommended for Duraform thermofoil door styles

**Double Oven Cabinet**  
2 Butt Doors • 1 Drawer



Number Shelves

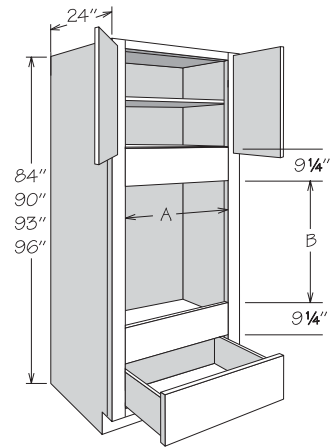
84" High	0
90" High	1
93" High	2
96" High	2

Cut Out Dimensions	A		B	
	Actual	Max.	Actual	Max.
OVD2784 BUTT	20 3/4"	25"	39"	54 1/4"
OVD3084 BUTT	23 3/4"	28"	39"	54 1/4"
OVD3384 BUTT	26 3/4"	31"	39"	54 1/4"
OVD2790 AS BUTT	20 3/4"	25"	38 3/8"	53 7/8"
OVD3090 AS BUTT	23 3/4"	28"	38 3/8"	53 7/8"
OVD3390 AS BUTT	26 3/4"	31"	38 3/8"	53 7/8"
OVD2793 AS BUTT	20 3/4"	25"	39"	54 1/4"
OVD3093 AS BUTT	23 3/4"	28"	39"	54 1/4"
OVD3393 AS BUTT	26 3/4"	31"	39"	54 1/4"
OVD2796 AS BUTT	20 3/4"	25"	39"	54 1/4"
OVD3096 AS BUTT	23 3/4"	28"	39"	54 1/4"
OVD3396 AS BUTT	26 3/4"	31"	39"	54 1/4"

OVD2784 BUTT	APC
OVD3084 BUTT	CFO
OVD3384 BUTT	FE
	RD
OVD2790 AS BUTT	
OVD3090 AS BUTT	
OVD3390 AS BUTT	
OVD2793 AS BUTT	
OVD3093 AS BUTT	
OVD3393 AS BUTT	
OVD2796 AS BUTT	
OVD3096 AS BUTT	
OVD3396 AS BUTT	

- One standard drawer
- Oven Support Shelf recommended - order separately
- Refer to appliance manufacturer's specifications for adequate clearances and required installation materials
- Heat Shield Kit (HSK) recommended for Duraform thermofoil door styles

**Double Oven Cabinet**  
2 Butt Doors • 1 Large Drawer



Number Shelves

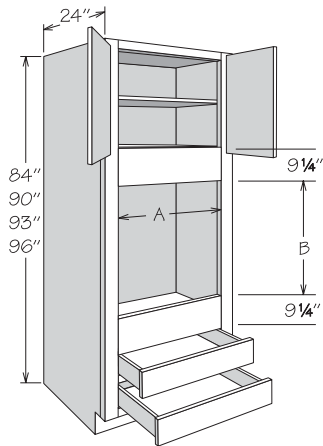
84" High	0
90" High	1
93" High	2
96" High	2

Cut Out Dimensions	A		B	
	Actual	Max.	Actual	Max.
OVD2784 BUTT 1DDWR	20 3/4"	25"	33 3/8"	48 3/8"
OVD3084 BUTT 1DDWR	23 3/4"	28"	33 3/8"	48 3/8"
OVD3384 BUTT 1DDWR	26 3/4"	31"	33 3/8"	48 3/8"
OVD2790 AS BUTT 1DDWR	20 3/4"	25"	33 3/8"	48 7/8"
OVD3090 AS BUTT 1DDWR	23 3/4"	28"	33 3/8"	48 7/8"
OVD3390 AS BUTT 1DDWR	26 3/4"	31"	33 3/8"	48 7/8"
OVD2793 AS BUTT 1DDWR	20 3/4"	25"	33 3/8"	48 3/8"
OVD3093 AS BUTT 1DDWR	23 3/4"	28"	33 3/8"	48 3/8"
OVD3393 AS BUTT 1DDWR	26 3/4"	31"	33 3/8"	48 3/8"
OVD2796 AS BUTT 1DDWR	20 3/4"	25"	33 3/8"	48 3/8"
OVD3096 AS BUTT 1DDWR	23 3/4"	28"	33 3/8"	48 3/8"
OVD3396 AS BUTT 1DDWR	26 3/4"	31"	33 3/8"	48 3/8"

OVD2784 BUTT 1DDWR	APC
OVD3084 BUTT 1DDWR	CFO
OVD3384 BUTT 1DDWR	FE
	RD
OVD2790 AS BUTT 1DDWR	
OVD3090 AS BUTT 1DDWR	
OVD3390 AS BUTT 1DDWR	
OVD2793 AS BUTT 1DDWR	
OVD3093 AS BUTT 1DDWR	
OVD3393 AS BUTT 1DDWR	
OVD2796 AS BUTT 1DDWR	
OVD3096 AS BUTT 1DDWR	
OVD3396 AS BUTT 1DDWR	

- One large drawer
- Oven Support Shelf recommended - order separately
- Refer to appliance manufacturer's specifications for adequate clearances and required installation materials
- Heat Shield Kit (HSK) recommended for Duraform thermofoil door styles

### Double Oven Cabinet 2 Butt Doors • 2 Drawers



Number Shelves

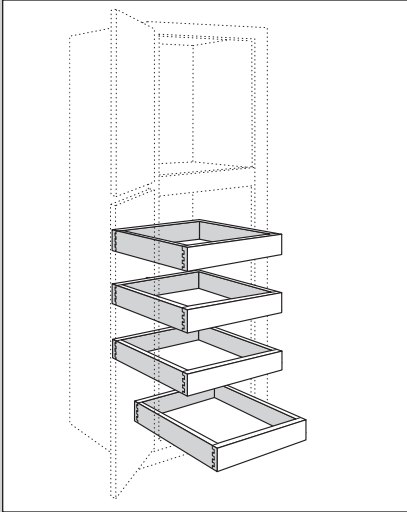
84" High	0
90" High	1
93" High	2
96" High	2

Cut Out Dimensions	A		B	
	Actual	Max.	Actual	Max.
OVD2784 BUTT 2DWR	20 3/4"	25"	33"	48 1/4"
OVD3084 BUTT 2DWR	23 3/4"	28"	33"	48 1/4"
OVD3384 BUTT 2DWR	26 3/4"	31"	33"	48 1/4"
OVD2790 AS BUTT 2DWR	20 3/4"	25"	32 5/8"	47 7/8"
OVD3090 AS BUTT 2DWR	23 3/4"	28"	32 5/8"	47 7/8"
OVD3390 AS BUTT 2DWR	26 3/4"	31"	32 5/8"	47 7/8"
OVD2793 AS BUTT 2DWR	20 3/4"	25"	33"	48 1/4"
OVD3093 AS BUTT 2DWR	23 3/4"	28"	33"	48 1/4"
OVD3393 AS BUTT 2DWR	26 3/4"	31"	33"	48 1/4"
OVD2796 AS BUTT 2DWR	20 3/4"	25"	33"	48 1/4"
OVD3096 AS BUTT 2DWR	23 3/4"	28"	33"	48 1/4"
OVD3396 AS BUTT 2DWR	26 3/4"	31"	33"	48 1/4"

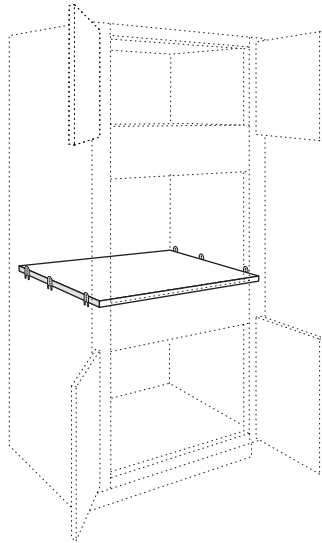
OVD2784 BUTT 2DWR	<b>APC</b>
OVD3084 BUTT 2DWR	<b>CFO</b>
OVD3384 BUTT 2DWR	<b>FE</b>
	<b>RD</b>
OVD2790 AS BUTT 2DWR	
OVD3090 AS BUTT 2DWR	
OVD3390 AS BUTT 2DWR	
OVD2793 AS BUTT 2DWR	
OVD3093 AS BUTT 2DWR	
OVD3393 AS BUTT 2DWR	
OVD2796 AS BUTT 2DWR	
OVD3096 AS BUTT 2DWR	
OVD3396 AS BUTT 2DWR	

- Two standard drawers
- Oven Support Shelf recommended - order separately
- Refer to appliance manufacturer's specifications for adequate clearances and required installation materials
- Heat Shield Kit (HSK) recommended for Duraform thermofoil door styles

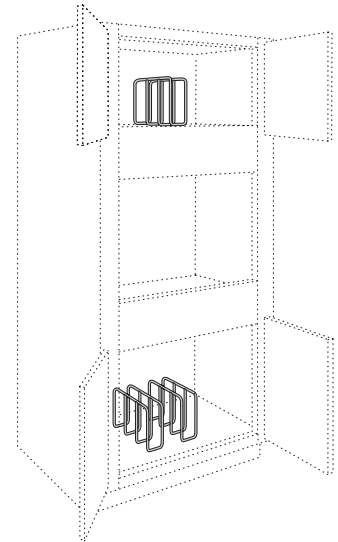
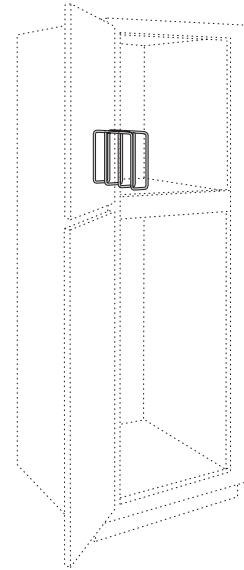
Utility Cabinet Accessories



Oven Support Shelf



Cabinet Tray Divider



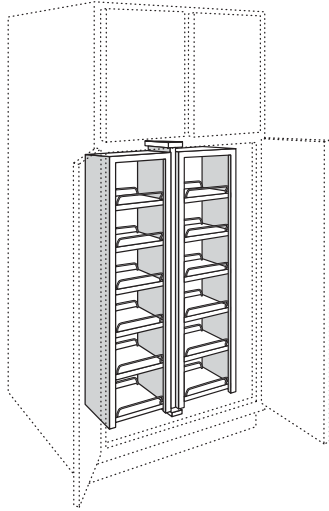
OSS27  
OSS30  
OSS33

- Features ¾" unfinished engineered wood shelf and six mounting clips with screws
- Will support up to 300 lbs when installed per included installation instructions
- Refer to appliance manufacturer's specifications for adequate clearances and required installation materials

TD3

- Field installation accessory
- Chrome finish
- Mounting hardware included
- Overall dimensions:  
2½" wide x 9 9/16" high x 11 1/4" deep
- Order Cabinet Tray Dividers individually
- For use in 24" deep cabinets or cabinets with RD-23 through RD-14

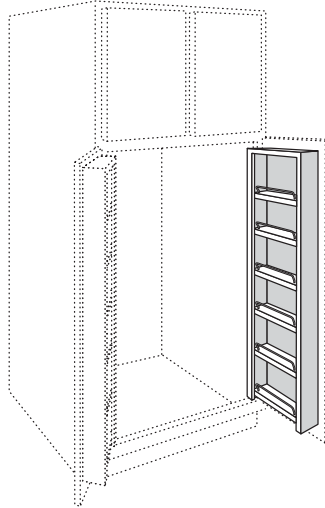
**Pantry Swing Out Kit**



PCSK36

- Field installation accessory
- For use inside UT3624 X \_\_ BUTT
- Can be used with PDSK18 and/or PSK36
- Natural finish unit features two fixed and ten adjustable shelves with chrome rail
- Overall dimensions:  
25 3/4" wide x 45" high x 7 1/2" deep
- Not sized to fit cabinets with Reduced Depth
- Minimum filler width of 4 1/2" recommended for installation of a cabinet with this accessory next to deeper adjacent objects including cabinets, walls, appliances and countertops

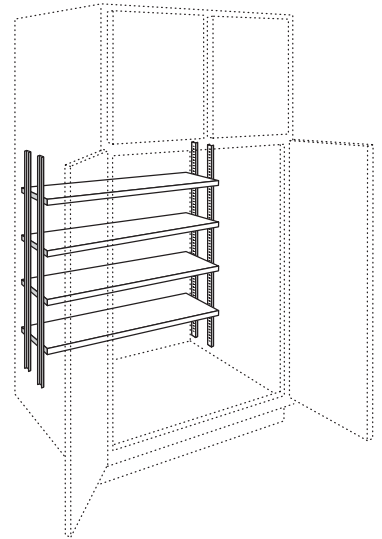
**Pantry Door Shelf Kit**



PDSK18

- Field installation accessory
- For use inside UT3624 X \_\_ BUTT
- Order each door unit separately
- Can be used with PCSK36 and/or PSK36
- Natural finish unit features one fixed and five adjustable shelves with chrome rail
- Overall dimensions:  
12" wide x 45" high x 4" deep
- Not recommended for cabinets with Reduced Depth
- Minimum filler width of 4 1/2" recommended for installation of a cabinet with this accessory next to deeper adjacent objects including cabinets, walls, appliances and countertops

**Utility Cabinet Shelf & Pilaster Kit**

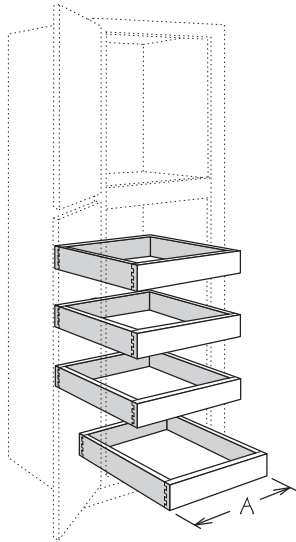
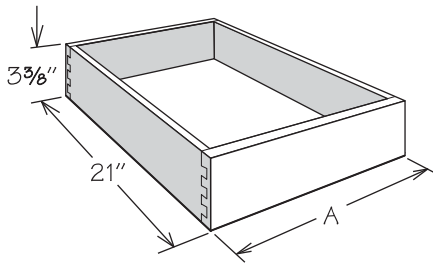


PSK36

APC
RD

- Field installation accessory
- Kit features four 9" deep shelves edge banded on front edge only, four 36" zinc pilasters, screws and installation instructions
- For use inside UT3624 X \_\_ BUTT
- Field trimmable in width for use inside UT1824
- Can be used with PCSK36 and/or PDSK18

**Tall Cabinet**  
 Deep Roll Out Tray Kit or  
 4 Pack Deep Roll Out Tray Kit



	A
DROT12	7 3/4"
DROT15	10 3/4"
DROT18	13 3/4"
DROT24	19 3/4"
DROT30	25 3/4"
DROT36	31 3/4"

Deep Roll Out Tray Kit

- DROT12
- DROT15
- DROT18
- DROT24
- DROT30
- DROT36

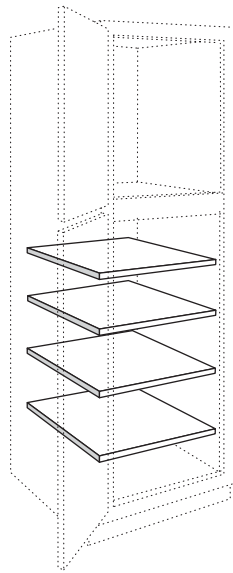
4 Pack Deep Roll Out Tray Kit

- DROT12-4K
- DROT15-4K
- DROT18-4K
- DROT24-4K
- DROT30-4K
- DROT36-4K

- Field installation accessory
- Natural finish dovetail drawer with engineered wood bottom
- Includes Deep Roll Out Tray, all glide hardware and installation instructions

RD

**Tall Cabinet**  
 Adjustable Shelf or 4 Pack Shelf Kit



Adjustable Shelf

- |                 |                 |
|-----------------|-----------------|
| <b>12" Deep</b> | <b>24" Deep</b> |
| ■ S1212         | ■ S1224         |
| ■ S1512         | ■ S1524         |
| ■ S1812         | ■ S1824         |
| ■ S2412         | ■ S2424         |
| ■ S3612         | S2724           |
|                 | ■ S3024         |
|                 | S3324           |
|                 | ■ S3624         |

4 Pack Shelf Kit

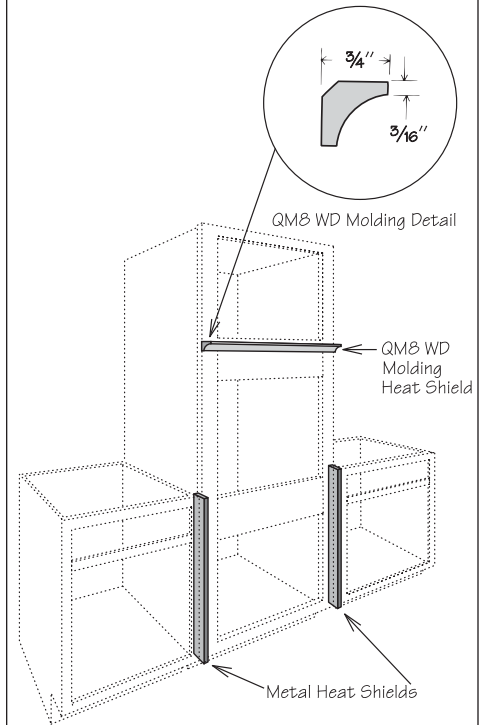
- |                 |                 |
|-----------------|-----------------|
| <b>12" Deep</b> | <b>24" Deep</b> |
| ■ SK1212        | ■ SK1224        |
| ■ SK1512        | ■ SK1524        |
| ■ SK1812        | ■ SK1824        |
| ■ SK2412        | ■ SK2424        |
| ■ SK3612        | SK2724          |
|                 | ■ SK3024        |
|                 | SK3324          |
|                 | ■ SK3624        |

- Field installation accessory
- 3/4" engineered wood in natural finish
- Edge banded on front edge only
- CLIP LOCK shelf rests included

APC

- MI
- RD

**Heat Shield Kit**



HSK

- Field installation accessory
- For use as heat shield on Duraform thermofoil door styles:
  - Cottage
  - Edgeworth
  - Solana
  - Sydney
  - Winchester
- Protects doors and drawer fronts from adjacent heat source (built-in ovens, under counter ovens, drop-in or free-standing ranges)
- Kit features:
  - Two 1/8" metal heat shields finished to match cabinet box exterior
  - One strip of QM8 WD molding shield finished to match cabinet box exterior