

## Installation Instructions

Read carefully before you begin installation

# Wastebasket Cabinet Retrofit or Kit (BWBT to BWBB)

**Note:** These kits can only be installed in a standard 15-in, 18-in or 21-in base cabinet

These instructions describe the installation procedure for replacing a top mount wastebasket unit with a bottom mount wastebasket as well as the installation of the bottom mount wastebasket kits.

If installing a kit, please skip to step 5.

### Contents

- 15-in, 18-in or 21-in bottom mount wastebasket unit (contains all necessary hardware for mounting door onto unit)
- Back mounting clips

### Tools Needed

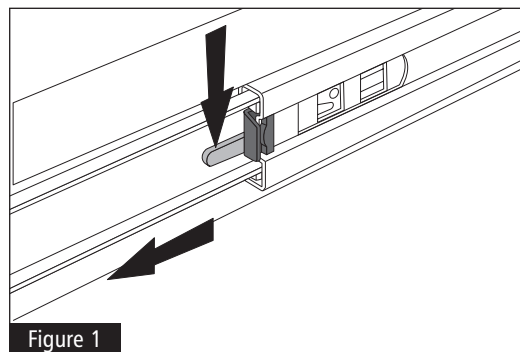
- Safety Glasses
- Screwdriver
- Drill with a 1/4-in. drill bit
- Pencil
- Door Placement Template
- Cabinet Drill Template

## Procedure

- 1 TO REMOVE THE EXISTING UNIT**  
Make sure the pullout is fully extended and remove the trash cans from the unit.

- 2** Disengage the Cabinet Slide Assembly using the release levers on the two vertical slides shown in Figure 1.

Lift one lever up towards the top of the rail while pushing the other down. Pull the door and attached top mount wastebasket housing forward to remove the unit from the slides.

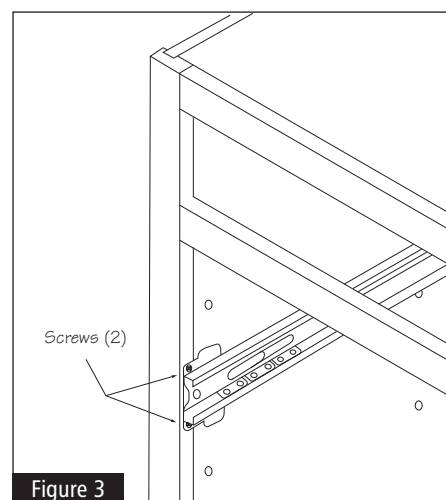
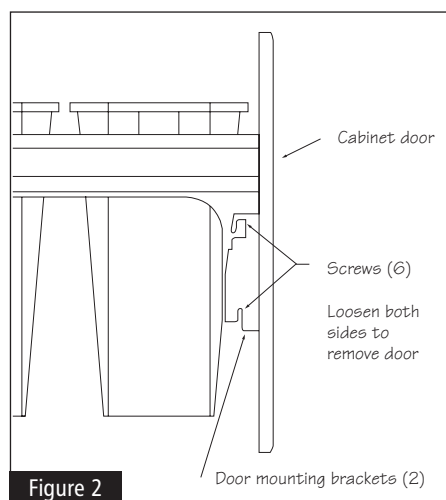


Place the door and top mount housing face down on a soft surface to prevent damage during the retrofit.

- 3** To detach the top mount housing from the cabinet door loosen the six (6) screws attaching the brackets to the door as shown in Figure 2.

This should also separate the brackets from the top mount housing.

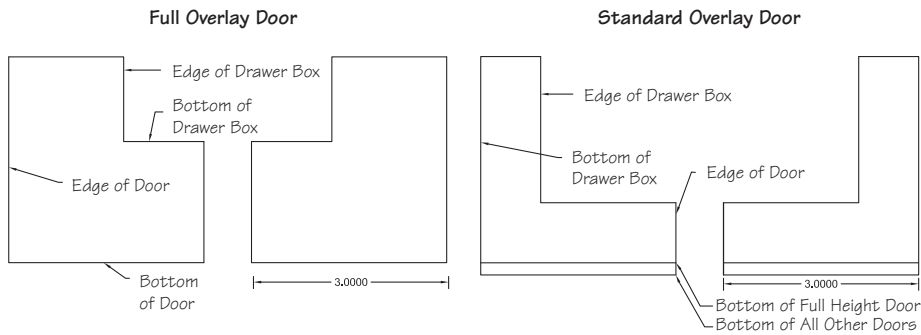
- 4** Remove the top mount wastebasket glides by taking out the two screws holding each glide to the cabinet face frame. See Figure 3.



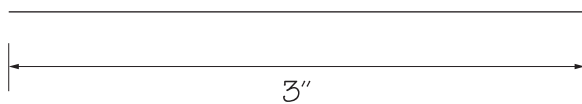
## Top Mount Wastebasket Retrofit (BWBT to BWBB)

### 5 TO INSTALL A NEW UNIT OR KIT

Using the Door Placement Template as a guide, attach the new bottom mount drawer box and brackets to the existing drawer front where indicated by the template.



6 Print the drill template using the "Actual Size" Selection. Verify the template is printed at 100% size by measuring the scale at the bottom of the page, confirming it is 3-in long.



Drawing reflects actual size when printed at 100%

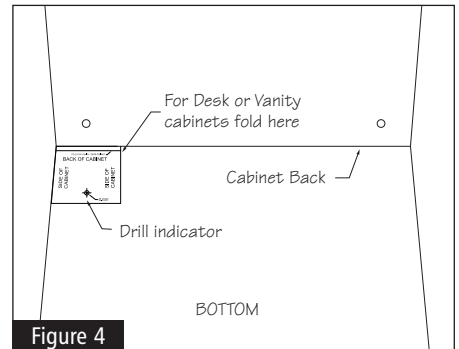


Figure 4

7 Carefully cut out the two templates and place one in the bottom back left and right corners of the cabinet as shown in Figure 4. If working in a Desk or Vanity Cabinet please fold along the indicated line.

8 Using a 1/4-in drill bit bore holes into the bottom of the cabinet where indicated. Once complete for both sides remove the template from the bottom of the cabinet and place a glide mounting bracket in each of the drilled holes. The tab on the bracket will be inserted into the hole. Secure in place with the provided screws. See Figure 5.

9 Slide the bottom mount glides into the brackets and align with the cabinet face frame. Use the provided screws to secure the glides in place.

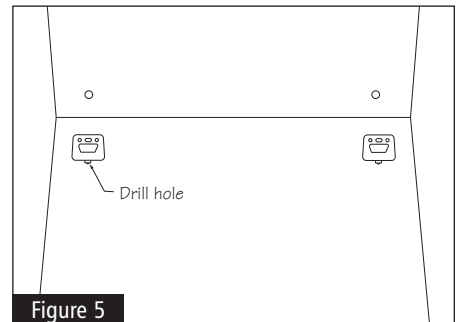


Figure 5

10 Insert the drawer box and door into the cabinet, aligning it with the glides. Push the door all the way in to attach the drawer box to the glides. Alignment adjustments can be made with the brackets attached to the drawer box.

