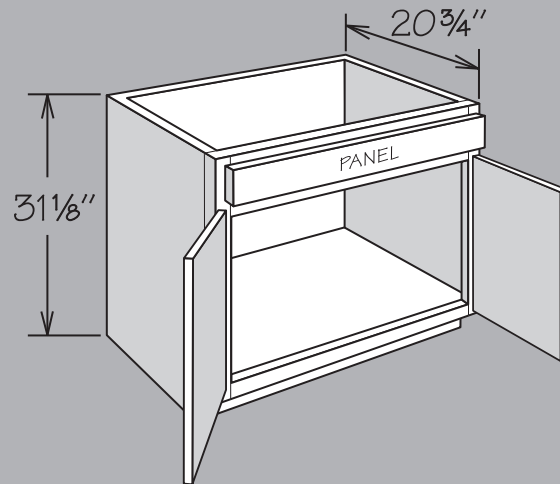


# Vanity Cabinets



## Dimensions

### Width

12" to 60"

### Height

31 1/8" to 84"

### Depth

18" to 20 3/4"  
(Reduced Depth optional  
on select cabinets)

## SKU Coding

### VSB

Cabinet Type  
(e.g., VSB=Vanity Sink Base)

### 36

width in inches

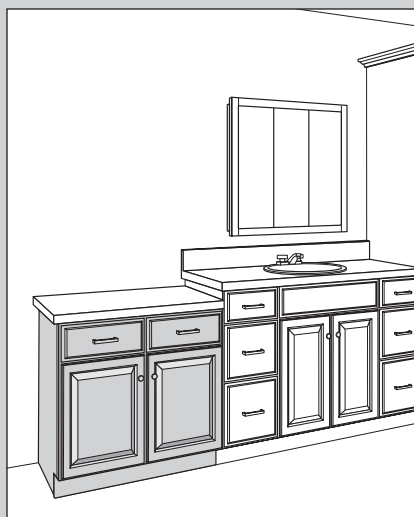
### BUTT

Door Type

## Construction Options & Modifications

<b>AF1</b>	.....	Aluminum Frame Door
<b>APC</b>	.....	All Plywood Construction
<b>CFO</b>	.....	Cabinet Front Only
<b>FE</b>	.....	Furniture Ends
<b>MFD</b>	.....	Mullion Frame Door
<b>MI</b>	.....	Matching Interior
<b>OFD</b>	.....	Open Frame Door
<b>PE</b>	.....	Plywood Ends
<b>RD</b>	.....	Reduced Depth
<b>RTK</b>	.....	Recessed Toe Kick

### 31 1/8" Standard Height Vanity Cabinets

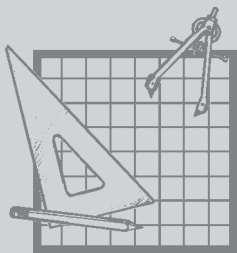


Standard Height Vanity cabinets are 31 1/8" high, 12" to 60" wide and 18" or 20 3/4" deep.

Cathedral doors are not available on Standard Height Vanity Base cabinets.

Single door Standard Height Vanity cabinets are hinged left and can be reversed in the field.

Inset toe kick construction requires BTK8 matching toe kick - must be ordered separately.

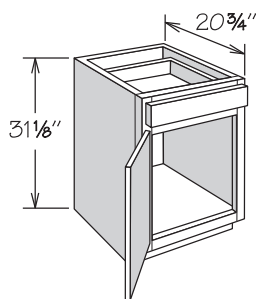


Refer to sink manufacturer's specifications for adequate clearance and required installation materials.

When placing a Standard Height Vanity Sink Base cabinet in a design, select a cabinet at least 3" wider than the sink to allow for installation clips. Review manufacturer's specifications for dimensions and adequate clearance requirements.

#### Vanity Base

1 Door, 1 Drawer • 31 1/8" High

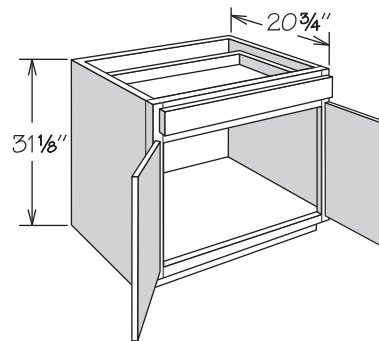


VB12	APC
VB15	CFO
VB18	FE
VB21	PE
	RD
	RTK

- No shelf

#### Vanity Base

2 Butt Doors, 1 Drawer • 31 1/8" High

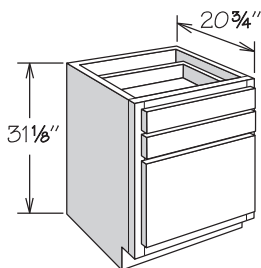


VB24 BUTT	APC
VB27 BUTT	CFO
VB30 BUTT	FE
VB33 BUTT	PE
VB36 BUTT	RD
	RTK

- No shelf

#### Vanity Drawer Base

3 Drawers • 31 1/8" High

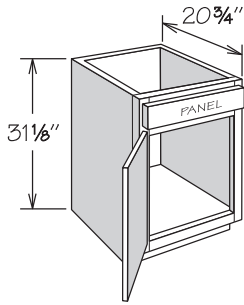


VDB12	APC
VDB15	CFO
VDB18	FE
VDB21	PE
VDB24	RD
	RTK

- One large and two standard drawers

**Vanity Sink Base**

1 Door, 1 Panel • 31 1/8" High



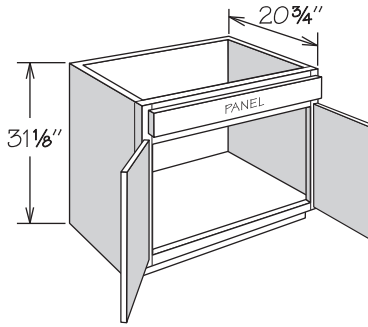
VSB15  
VSB18  
VSB21

APC
CFO
FE
PE
RD
RTK

- No shelf
- Subtract 1 1/2" from depth and width for available sink bowl opening

**Vanity Sink Base**

2 Butt Doors, 1 Panel • 31 1/8" High



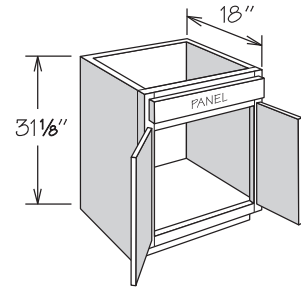
VSB24 BUTT  
VSB27 BUTT  
VSB30 BUTT  
VSB33 BUTT  
VSB36 BUTT

APC
CFO
FE
PE
RD
RTK

- No shelf
- Subtract 1 1/2" from depth and width for available sink bowl opening

**Vanity Sink Base – 18" Deep**

2 Butt Doors, 1 Panel • 31 1/8" High



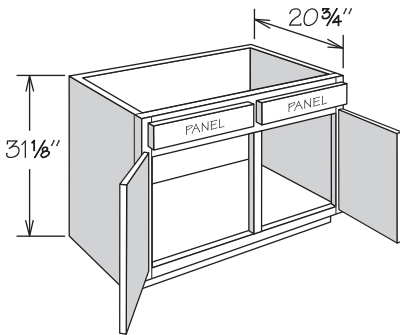
VSB2418 BUTT  
VSB3018 BUTT  
VSB3618 BUTT

APC
CFO
FE
PE
RD
RTK

- No shelf
- Subtract 1 1/2" from depth and width for available sink bowl opening

**Vanity Sink Base**

2 Doors, 2 Panels • 31 1/8" High



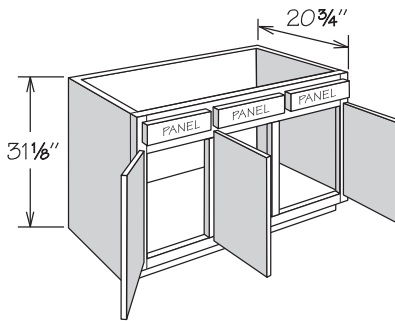
VSB42

APC
CFO
FE
PE
RD
RTK

- No shelf
- Subtract 1 1/2" from depth and width for available sink bowl opening

**Vanity Sink Base**

3 Doors, 3 Panels • 31 1/8" High



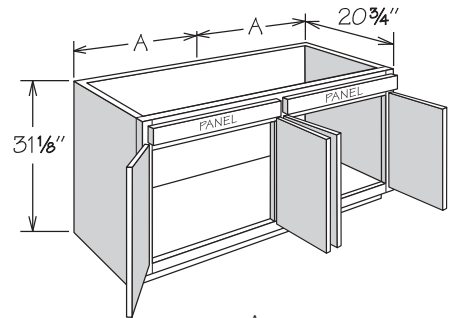
VSB48

APC
CFO
FE
PE
RD
RTK

- No shelf
- Subtract 1 1/2" from depth and width for available sink bowl opening
- Hinged as shown – center door may be reversed in field

**Vanity Sink Base**

4 Butt Doors, 2 Panels • 31 1/8" High



	A
VSB54 BUTT	27"
VSB60 BUTT	30"

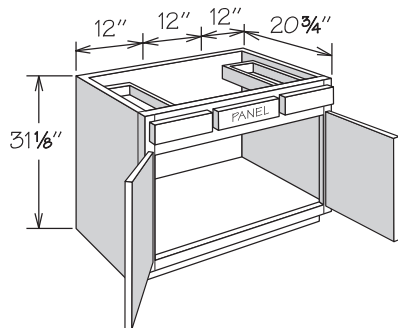
VSB54 BUTT  
VSB60 BUTT

APC
CFO
FE
PE
RD
RTK

- No shelf
- Subtract 1 1/2" from depth and dimension A for available sink bowl openings

**Vanity Sink Base**

2 Butt Doors, 2 Drawers • 31 1/8" High



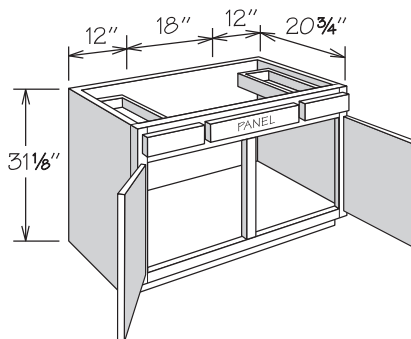
VAN36 BUTT

APC
CFO
FE
PE
RD
RTK

- No shelf
- Top drawer on each side of sink bowl opening
- Subtract 1 1/2" from depth for available sink bowl opening
- Maximum sink opening is 18"

**Vanity Sink Base**

2 Doors, 2 Drawers • 31 1/8" High



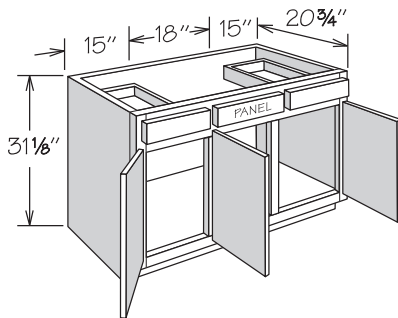
VAN42

APC
CFO
FE
PE
RD
RTK

- No shelf
- Top drawer on each side of sink bowl opening
- Subtract 1 1/2" from depth for available sink bowl opening
- Maximum sink opening is 21"

**Vanity Sink Base**

3 Doors, 2 Drawers • 31 1/8" High



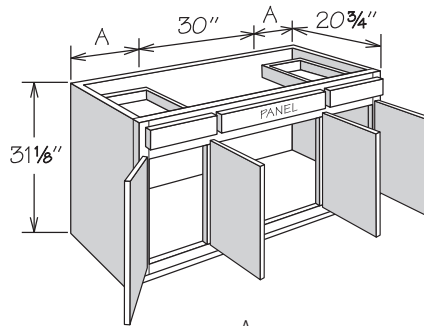
VAN48

APC
CFO
FE
PE
RD
RTK

- No shelf
- Top drawer on each side of sink bowl opening
- Subtract 1 1/2" from depth for available sink bowl opening
- Hinged as shown – center door may be reversed in field
- Maximum sink opening is 21"

**Vanity Sink Base**

4 Doors, 2 Drawers • 31 1/8" High



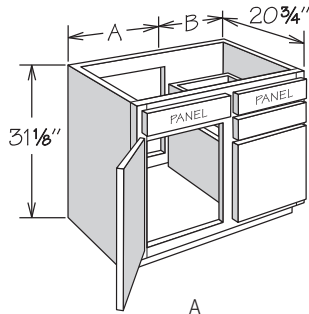
VAN54 BUTT	12"
VAN60 BUTT	15"

VAN54 BUTT  
VAN60 BUTT

APC
CFO
FE
PE
RD
RTK

- No shelf
- Features Butt doors at sink bowl opening
- Top drawer on each side of sink bowl opening
- Subtract 1 1/2" from depth for available sink bowl opening
- Maximum sink opening is 33"

**Vanity Combo Sink Base**  
1 Door, 2 Drawers • 31 1/8" High

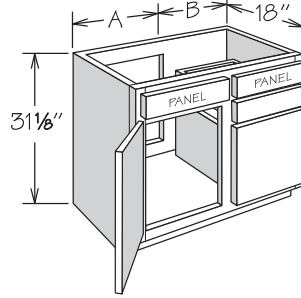


	A	B
VSDB24	12"	12"
VSDB27	15"	12"
VSDB30	18"	12"
VSDB33	21"	12"
VSDB36	21"	15"

VSDB24	VSDB33	APC
VSDB27	VSDB36	CFO
VSDB30		FE
		PE
		RD
		RTK

- No shelf
- Open area for plumbing access
- Allow for plumbing placement to clear drawers
- Drawers available on right or left side (please specify)
- Cabinet shown is right indicating drawers on the right side of the cabinet
- Subtract 1 1/2" from depth and overall cabinet width for available sink bowl opening

**Vanity Combo Sink Base 18" Deep**  
1 Door, 2 Drawers • 31 1/8" High

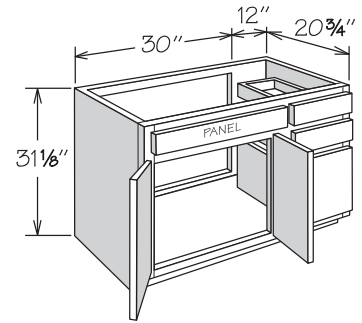


	A	B
VSDB2418	12"	12"
VSDB2718	15"	12"
VSDB3018	18"	12"
VSDB3318	21"	12"
VSDB3618	21"	15"

VSDB2418	VSDB3318	APC
VSDB2718	VSDB3618	CFO
VSDB3018		FE
		PE
		RD
		RTK

- No shelf
- Open area for plumbing access
- Allow for plumbing placement to clear drawers
- Drawers available on right or left side (please specify)
- Cabinet shown is right indicating drawers on the right side of the cabinet
- Subtract 1 1/2" from depth and overall cabinet width for available sink bowl opening

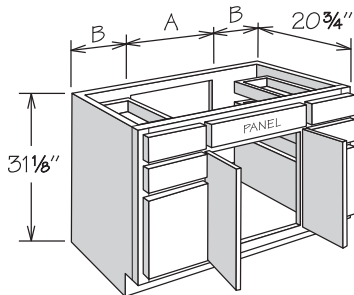
**Vanity Combo Sink Base**  
2 Butt Doors, 3 Drawers • 31 1/8" High



VSDB42 BUTT	APC
	CFO
	FE
	PE
	RD
	RTK

- No shelf
- Open area for plumbing access
- Allow for plumbing placement to clear drawers
- Drawers available on right or left side (please specify)
- Cabinet shown is right indicating drawers on the right side of the cabinet
- Subtract 1 1/2" from depth and 30" dimension for available sink bowl opening
- Requires off-center sink bowl opening

**Vanity Combo Sink Base**  
2 Butt Doors, 6 Drawers • 31 1/8" High

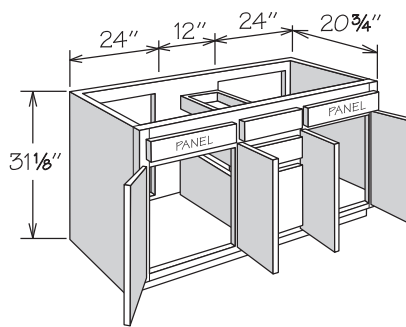


	A	B
VSDB48D BUTT	24"	12"
VSDB54D BUTT	24"	15"
VSDB60D BUTT	30"	15"

VSDB48D BUTT	APC
VSDB54D BUTT	CFO
VSDB60D BUTT	FE
	PE
	RD
	RTK

- No shelf
- Open area for plumbing access
- Subtract 1 1/2" from depth and dimension A for available sink bowl opening

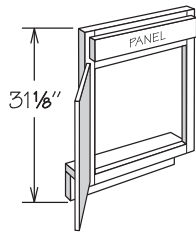
**Vanity Combo Sink Base**  
4 Butt Doors, 3 Drawers • 31 1/8" High



VSDB60C BUTT	APC
	CFO
	FE
	PE
	RD
	RTK

- No shelf
- Open areas for plumbing access
- Subtract 1 1/2" from depth and each 24" dimension for available sink bowl openings

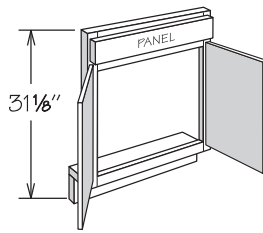
**Vanity Sink Front**  
1 Door, 1 Panel • 31<sup>1</sup>/<sub>8</sub>" High



VSF21

- Vanity Sink Front not trimmable
- **Order floors and returns separately (trimming may be required) – refer to Panel Section for availability**

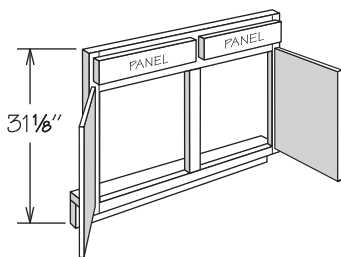
**Vanity Sink Front**  
2 Butt Doors, 1 Panel • 31<sup>1</sup>/<sub>8</sub>" High



VSF24 BUTT  
VSF30 BUTT  
VSF36 BUTT

- Vanity Sink Front not trimmable
- **Order floors and returns separately (trimming may be required) – refer to Panel Section for availability**

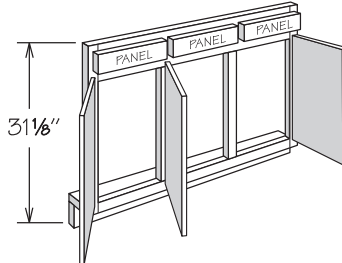
**Vanity Sink Front**  
2 Doors, 2 Panels • 31<sup>1</sup>/<sub>8</sub>" High



VSF42

- Vanity Sink Front not trimmable
- **Order floors and returns separately (trimming may be required) – refer to Panel Section for availability**

**Vanity Sink Front**  
3 Doors, 3 Panels • 31<sup>1</sup>/<sub>8</sub>" High



VSF48

- Vanity Sink Front not trimmable
- Hinged as shown – center door may be reversed in field
- **Order floors and returns separately (trimming may be required) – refer to Panel Section for availability**

**34½" Base Height  
Vanity Cabinets**

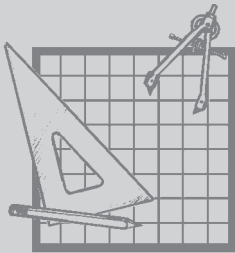


Base Height Vanity cabinets are 34½" high, 12" to 60" wide and 18" or 20¾" deep.

Cathedral doors are not available on Base Height Vanity Base cabinets.

Single door Base Height Vanity cabinets are hinged left and can be reversed in the field.

Inset toe kick construction requires BTK8 matching toe kick - must be ordered separately.

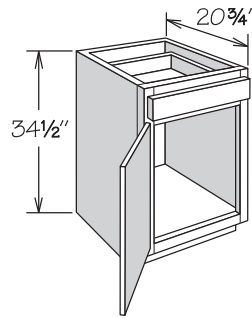


**Check sink manufacturer's specifications for adequate clearance and required installation materials.**

When placing a Base Height Vanity Sink Base cabinet in a design, select a cabinet at least 3" wider than the sink to allow for installation clips. Review manufacturer's specifications for dimensions and adequate clearance requirements.

**Vanity Base**

1 Door, 1 Drawer • 34½" High



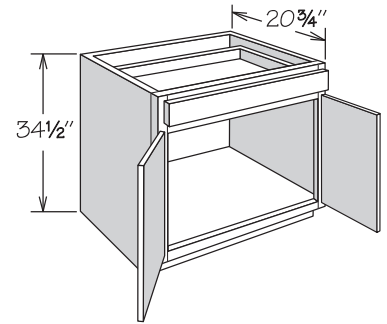
VB1234H  
VB1534H  
VB1834H  
VB2134H

- APC
- CFO
- FE
- PE
- RD
- RTK

- No shelf

**Vanity Base**

2 Butt Doors, 1 Drawer • 34½" High



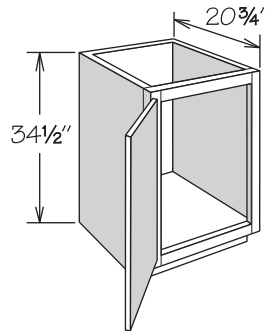
VB2434H BUTT  
VB2734H BUTT  
VB3034H BUTT  
VB3334H BUTT  
VB3634H BUTT

- APC
- CFO
- FE
- PE
- RD
- RTK

- No shelf

**Vanity Base**

1 Full-Height Door • 34½" High



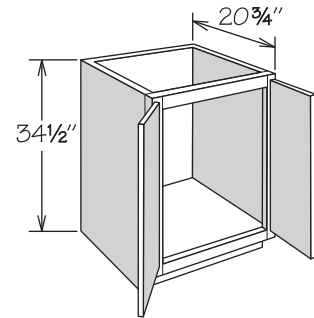
VB1234H FH  
VB1534H FH  
VB1834H FH  
VB2134H FH

- APC
- CFO
- FE
- PE
- RD
- RTK

- Full-height door
- No shelf

**Vanity Base**

1 Full-Height Door • 34½" High



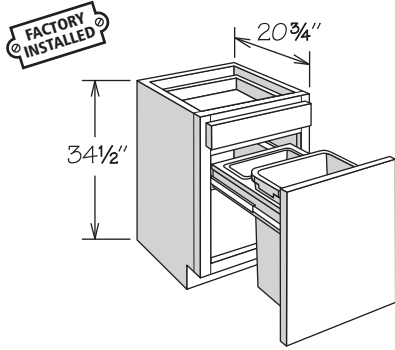
VB2434H BUTT FH  
VB3034H BUTT FH  
VB3634H BUTT FH

- APC
- CFO
- FE
- PE
- RD
- RTK

- Full-height doors
- No shelf

**Vanity Base**

1 Factory Installed Wastebasket • 34½" High

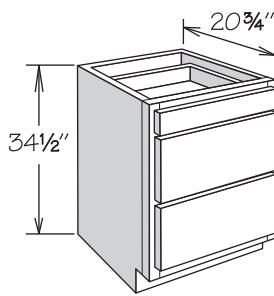


VWBT1834H	APC
	FE
	PE
	RTK

- Features one white plastic 35-quart capacity bin
- Wastebasket rests in a natural maple plywood frame
- Frame slides on full-access glides, not available with CushionClose
- Includes bag storage tray at rear
- Decorative hardware strongly recommended
- Storage tray NOT dishwasher safe
- Wastebasket lid may be ordered separately

**Vanity Drawer Base**

3 Drawers • 34½" High

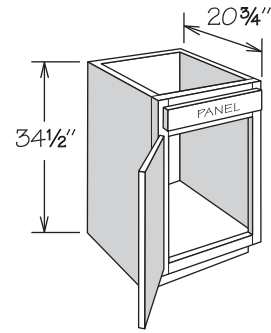


VDB1234H VDB1534H VDB1834H VDB2134H VDB2434H	APC
	CFO
	FE
	PE
	RD
	RTK

- One standard and two large drawers

**Vanity Sink Base**

1 Door, 1 Panel • 34½" High

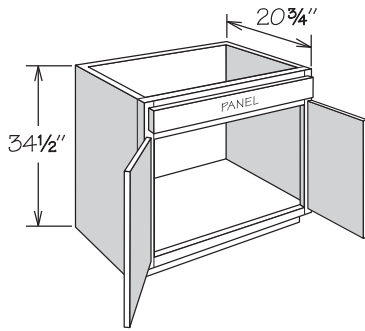


VSB1534H VSB1834H VSB2134H	APC
	CFO
	FE
	PE
	RTK

- No shelf
- Subtract 1½" from depth and width for available sink bowl opening

**Vanity Sink Base**

2 Butt Doors, 1 Panel • 34½" High

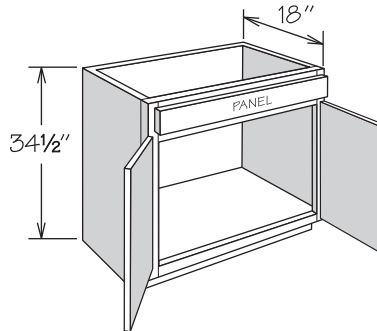


VSB2434H BUTT VSB2734H BUTT VSB3034H BUTT VSB3334H BUTT VSB3634H BUTT	APC
	CFO
	FE
	PE
	RD
	RTK

- No shelf
- Subtract 1½" from depth and width for available sink bowl opening

**Vanity Sink Base – 18" Deep**

2 Butt Doors, 1 Panel • 34½" High

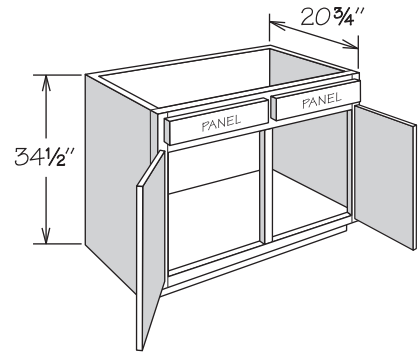


VSB241834H BUTT VSB301834H BUTT VSB361834H BUTT	APC
	CFO
	FE
	PE
	RD
	RTK

- No shelf
- Subtract 1½" from depth and width for available sink bowl opening

**Vanity Sink Base**

2 Doors, 2 Panels • 34½" High



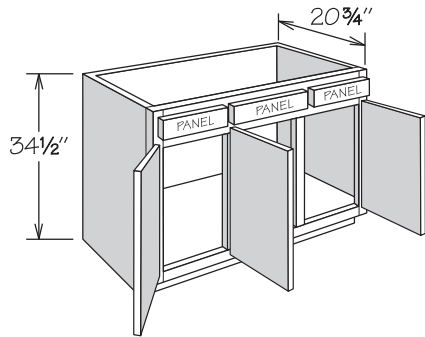
VSB4234H	APC
	CFO
	FE
	PE
	RD
	RTK

- No shelf
- Subtract 1½" from depth and width for available sink bowl opening



**Vanity Sink Base**

3 Doors, 3 Panels • 34½" High



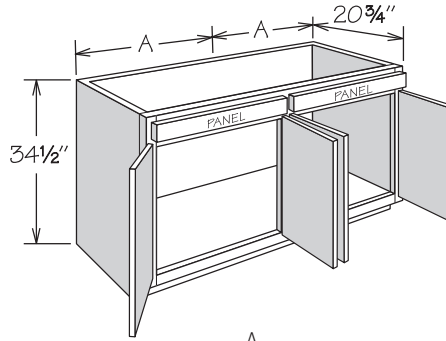
VSB4834H

APC
CFO
FE
PE
RD
RTK

- No shelf
- Subtract 1½" from depth and width for available sink bowl opening
- Hinged as shown – center door may be reversed in field

**Vanity Sink Base**

4 Butt Doors, 2 Panels • 34½" High



VSB5434H BUTT	27"
VSB6034H BUTT	30"

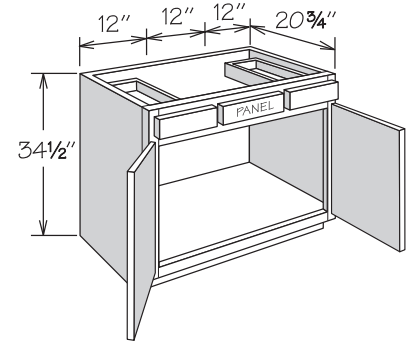
VSB5434H BUTT  
VSB6034H BUTT

APC
CFO
FE
PE
RD
RTK

- No shelf
- Subtract 1½" from depth and dimension A for available sink bowl openings

**Vanity Sink Base**

2 Butt Doors, 2 Drawers • 34½" High



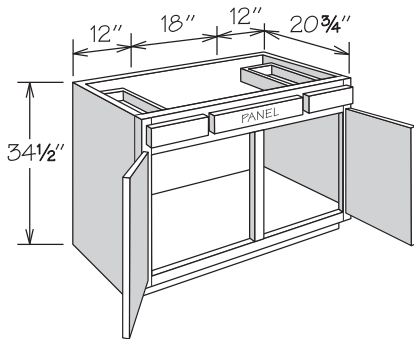
VAN3634H BUTT

APC
CFO
FE
PE
RD
RTK

- No shelf
- Top drawer on each side of sink bowl opening
- Subtract 1½" from depth for available sink bowl opening
- Maximum sink opening is 18"

**Vanity Sink Base**

2 Doors, 2 Drawers • 34½" High



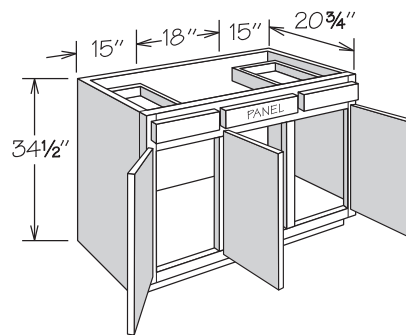
VAN4234H

APC
CFO
FE
PE
RD
RTK

- No shelf
- Top drawer on each side of sink bowl opening
- Subtract 1½" from depth for available sink bowl opening
- Maximum sink opening is 21"

**Vanity Sink Base**

3 Doors, 2 Drawers • 34½" High



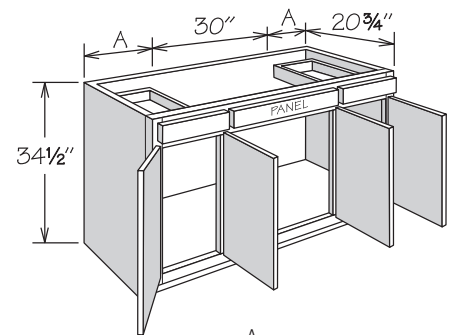
VAN4834H

APC
CFO
FE
PE
RD
RTK

- No shelf
- Top drawer on each side of sink bowl opening
- Subtract 1½" from depth for available sink bowl opening
- Maximum sink opening is 21"
- Hinged as shown – center door may be reversed in field

**Vanity Sink Base**

4 Doors, 2 Drawers • 34½" High



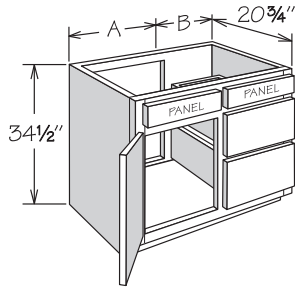
A	
VAN5434H BUTT	12"
VAN6034H BUTT	15"

VAN5434H BUTT  
VAN6034H BUTT

APC
CFO
FE
PE
RD
RTK

- Features Butt doors at sink bowl opening
- No shelf
- Top drawer on each side of sink bowl opening
- Subtract 1½" from depth for available sink bowl opening
- Maximum sink opening is 33"

**Vanity Combo Sink Base**  
1 Door, 2 Drawers • 34½" High

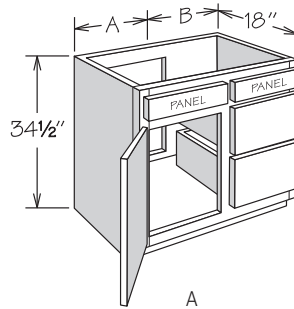


	A	B
VSDB2434H	12"	12"
VSDB2734H	15"	12"
VSDB3034H	18"	12"
VSDB3334H	21"	12"
VSDB3634H	21"	15"

VSDB2434H	APC
VSDB2734H	CFO
VSDB3034H	FE
VSDB3334H	PE
VSDB3334H	RD
VSDB3634H	RTK

- No shelf
- Open area for plumbing access
- Allow for plumbing placement to clear drawers
- Drawers available on right or left side (please specify)
- Cabinet shown is right indicating drawers on the right side of the cabinet
- Subtract 1½" from depth and overall cabinet width for available sink bowl opening

**Vanity Combo Sink Base 18" Deep**  
1 Door, 2 Drawers • 34½" High

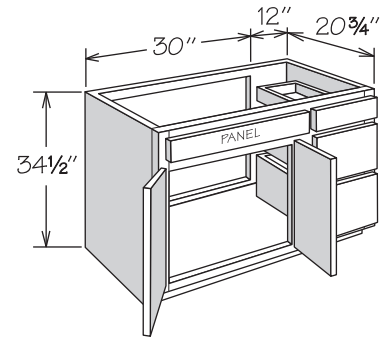


	A	B
VSDB241834H	12"	12"
VSDB271834H	15"	12"
VSDB301834H	18"	12"
VSDB331834H	21"	12"
VSDB361834H	21"	15"

VSDB241834H	APC
VSDB271834H	CFO
VSDB301834H	FE
VSDB331834H	PE
VSDB331834H	RD
VSDB361834H	RTK

- No shelf
- Open area for plumbing access
- Allow for plumbing placement to clear drawers
- Drawers available on right or left side (please specify)
- Cabinet shown is right indicating drawers on the right side of the cabinet
- Subtract 1½" from depth and overall cabinet width for available sink bowl opening

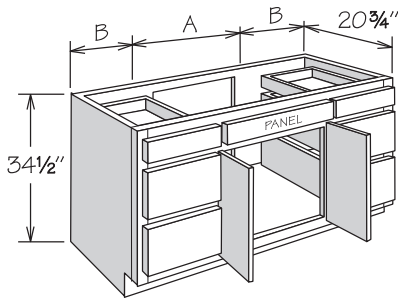
**Vanity Combo Sink Base**  
2 Butt Doors, 3 Drawers • 34½" High



VSDB4234H BUTT	APC
	CFO
	FE
	PE
	RD
	RTK

- No shelf
- Open area for plumbing access
- Allow for plumbing placement to clear drawers
- Drawers available on right or left side (please specify)
- Cabinet shown is right indicating drawers on the right side of the cabinet
- Subtract 1½" from depth and 30" dimension for available sink bowl opening
- Requires off-center sink bowl opening

**Vanity Combo Sink Base**  
2 Butt Doors, 6 Drawers • 34½" High

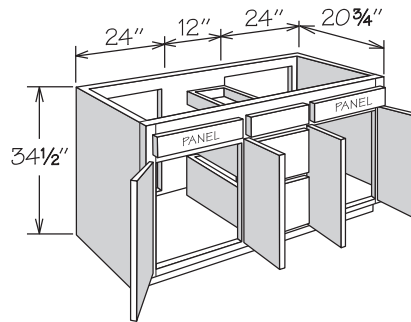


	A	B
VSDB4834HD BUTT	24"	12"
VSDB5434HD BUTT	24"	15"
VSDB6034HD BUTT	30"	15"

VSDB4834HD BUTT	APC
VSDB5434HD BUTT	CFO
VSDB6034HD BUTT	FE
	PE
	RD
	RTK

- No shelf
- Open area for plumbing access
- Subtract 1½" from depth and dimension A for available sink bowl opening

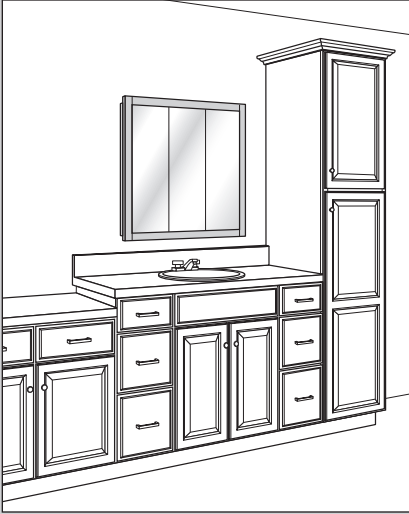
**Vanity Combo Sink Base**  
4 Butt Doors, 3 Drawers • 34½" High



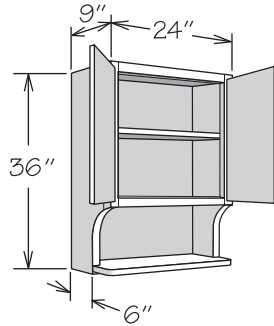
VSDB6034HC BUTT	APC
	CFO
	FE
	PE
	RD
	RTK

- No shelf
- Open areas for plumbing access
- Subtract 1½" from depth and each 24" dimension for available sink bowl openings

Specialty Vanity Cabinet



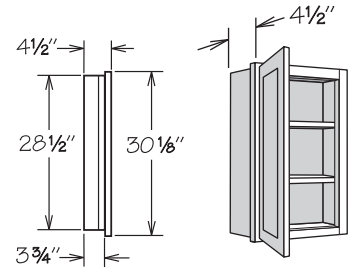
Valet Cabinet  
2 Butt Doors



VC2436 BUTT

- Matching interior standard
- Flush sides with no face frame or 1/4" reveals
- Bottom opening: 22 1/2" x 10 7/8"
- Features a fixed shelf
- Sides and bottom shelf feature 3/4" engineered wood veneered on both sides

Medicine Cabinet

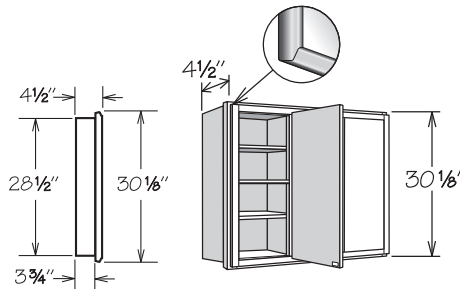


	Overall Width	Overall Height	Cut Out Width Recess Mount	Cut Out Height Recess Mount
MC1530	15"	30 1/8"	14 1/2"	28 1/2"
MCM1530	15"	30 1/8"	14 1/2"	28 1/2"

MC1530  
MCM1530

- Two adjustable engineered wood shelves
- Surface or recess mount
- **MCM1530 features a mirrored door**
- For surface mount installation of wood door styles, trim and apply WEP30 to match finish on exterior sides to cabinet frame – order separately

Tri-View Mirror

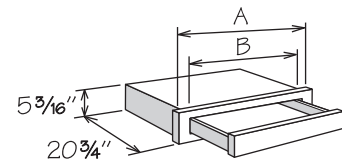


	Overall Width	Overall Height	Cut Out Width Recess Mount	Cut Out Height Recess Mount
TV3030	30"	30 1/8"	28 1/2"	28 1/2"
TV3630	36"	30 1/8"	34 1/2"	28 1/2"

TV3030  
TV3630

- All three mirrored doors swing open for easy access to the six adjustable shelves
- Surface or recess mount
- For surface mount installation of wood door styles, trim and apply WEP30 to match finish on exterior sides to cabinet frame – order separately
- Chrome hardware

Kneehole Drawer Cabinet



	A	B	Max. Trim
KDC27/21	27"	17 3/4"	21" (3" each side)
KDC33/27	33"	23 3/4"	27" (3" each side)
KDC36/33	36"	29 3/4"	33" (1 1/2" each side)

KDC27/21  
KDC33/27  
KDC36/33

RD

- Designed for Desk or Vanity application
- Drawer front complements door style
- Field trimmable in height to 3/4"
- Field trimmable in depth to 18" or Reduced Depth Option is available to a minimum of 12"

Vanity Linen Cabinets



Vanity Linen cabinets range in size from 12" to 24" wide, are 84" high and 20 3/4" deep.

Single door cathedral Vanity Linen cabinets must be ordered hinged left or right. Single door square Vanity Linen cabinets are hinged left and can be reversed in the field.

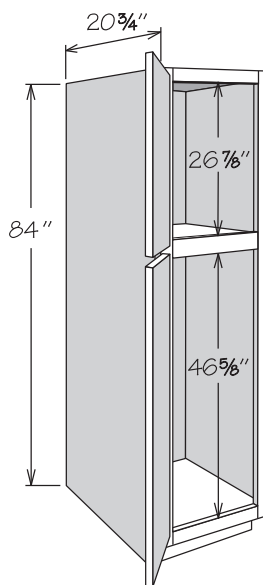
All Vanity Linen cabinet bottom doors will have a center rail with the exception of all Sydney, Thermofoil and Duraform door styles.

Inset toe kick construction requires BTK8 matching toe kick - must be ordered separately.

See page 39 for Ceiling Height Requirements information.

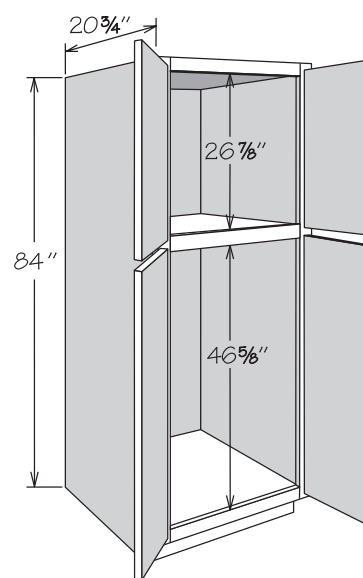
Vanity Linen Cabinet

2 Doors  
No Shelves



Vanity Linen Cabinet

4 Butt Doors  
No Shelves



VLC122184  
VLC152184  
VLC182184

AF1
APC
CFO
FE
MFD
MI
OFD
PE
RD

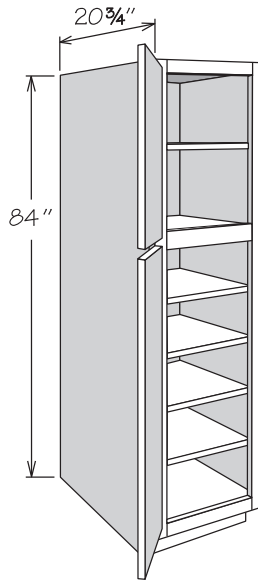
- Shelving and optional interior accessories may be ordered separately – refer to Vanity Linen Accessories for details
- Cabinet backs are pre-drilled to accept up to four Deep Roll Out Trays in lower section

VLC242184 BUTT

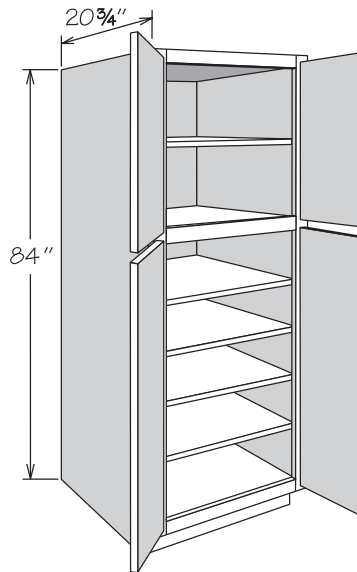
AF1
APC
CFO
FE
MFD
MI
OFD
PE
RD

- Shelving and optional interior accessories may be ordered separately – refer to Vanity Linen Accessories for details
- Cabinet backs are pre-drilled to accept up to four Deep Roll Out Trays in lower section

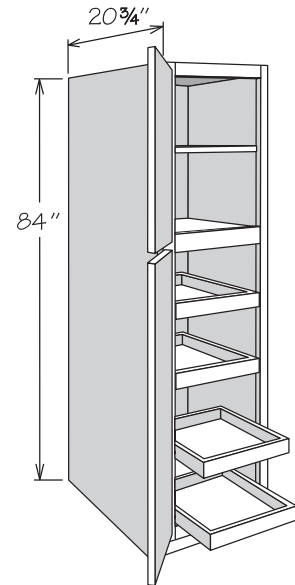
**Vanity Linen Cabinet**  
2 Doors With Adjustable Shelves



**Vanity Linen Cabinet**  
4 Butt Doors With Adjustable Shelves



**Vanity Linen Cabinet**  
2 Doors With Deep Roll Out Trays



VLC122184 AS  
VLC152184 AS  
VLC182184 AS

AF1
APC
FE
MFD
MI
OFD
PE
RD

- Features one full-depth adjustable shelf in top section and four full-depth shelves in lower section
- Full-depth adjustable shelves are 3/4" engineered wood and edge banded on front edge only
- Adjustable shelves packaged separately for field installation

VLC242184 AS BUTT

AF1
APC
FE
MFD
MI
OFD
PE
RD

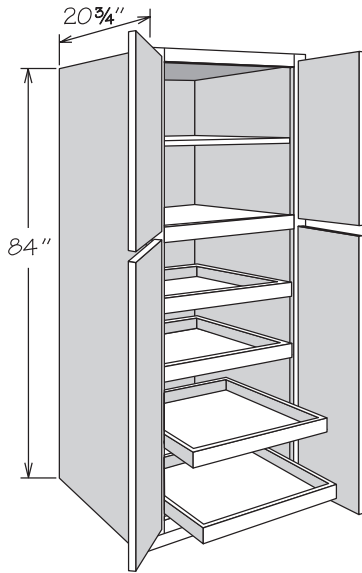
- Features one full-depth adjustable shelf in top section and four full-depth shelves in lower section
- Full-depth adjustable shelves are 3/4" engineered wood and edge banded on front edge only
- Adjustable shelves packaged separately for field installation

VLC122184 4ROT  
VLC152184 4ROT  
VLC182184 4ROT

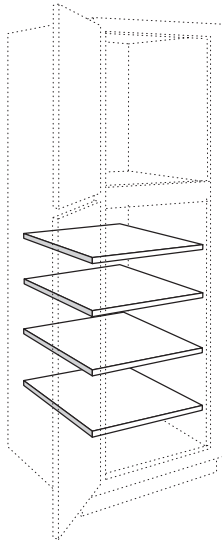
AF1
APC
FE
MFD
MI
OFD
PE
RD

- Features one full-depth adjustable shelf in top section and four Deep Roll Out Trays in lower section
- Full-depth adjustable shelf is 3/4" engineered wood and edge banded on front edge only
- Adjustable shelf and Deep Roll Out Trays packaged separately for field installation

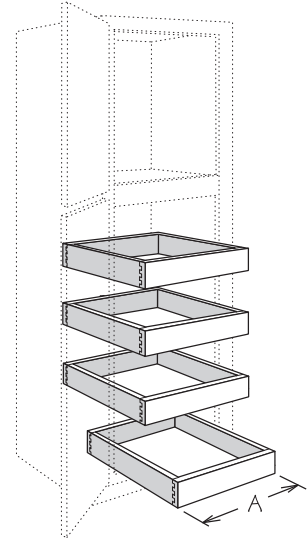
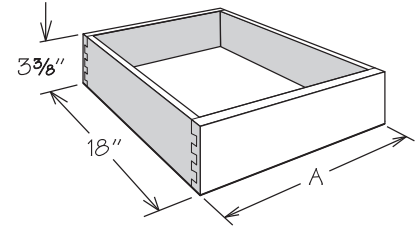
**Vanity Linen Cabinet**  
4 Butt Doors With Deep Roll Out Trays



**Vanity Linen Cabinet**  
Adjustable Shelf or 4 Pack Shelf Kit



**Vanity Linen Cabinet**  
Deep Roll Out Tray Kit or  
4 Pack Deep Roll Out Tray Kit



	A
DROT1221	7 3/4"
DROT1521	10 3/4"
DROT1821	13 3/4"
DROT2421	19 3/4"

VLC242184 4ROT BUTT

AF1
APC
FE
MFD
MI
OFD
PE
RD

Adjustable Shelf  
S1221  
S1521  
S1821  
S2421

4 Pack Shelf Kit  
SK1221  
SK1521  
SK1821  
SK2421

APC
MI
RD

Deep Roll Out Tray Kit  
DROT1221  
DROT1521  
DROT1821  
DROT2421

4 Pack Deep Roll Out Tray Kit  
DROT1221-4K  
DROT1521-4K  
DROT1821-4K  
DROT2421-4K

RD

- Features one full-depth adjustable shelf in top section and four Deep Roll Out Trays in lower section
- Full-depth adjustable shelf is 3/4" engineered wood and edge banded on front edge only
- Adjustable shelf and Deep Roll Out Trays packaged separately for field installation

- Field installation accessory
- 3/4" engineered wood
- Edge banded on front edge only
- CLIP LOCK shelf rests included

- Field installation accessory
- Natural Finish dovetail drawer
- Includes Deep Roll Out Tray, all glide hardware and installation instructions