

Tall Cabinets



Dimensions

Width	Depth	Height
12" to 36"	12" to 24" (Reduced Depth optional on select cabinets)	84" to 96"

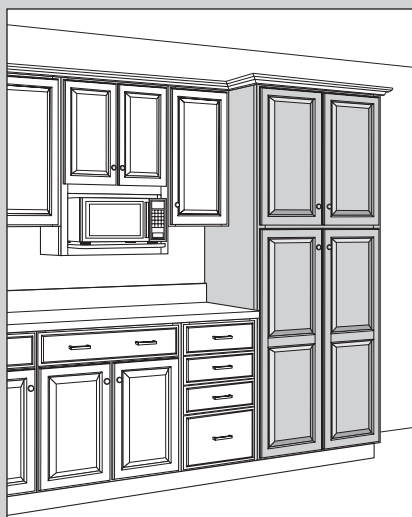
SKU Coding

UT Cabinet Type (e.g., UT= Utility Cabinet)	18 width in inches	24 depth in inches	X	90 height in inches
--	---------------------------------	---------------------------------	----------	----------------------------------

Construction Options & Modifications

- AF1** Aluminum Frame Door
- APC** All Plywood Construction
- CFO** Cabinet Front Only
- FE** Furniture Ends
- MFD** Mullion Frame Door
- MI** Matching Interior
- OFD** Open Frame Door
- PE** Plywood Ends
- RD** Reduced Depth

Utility Cabinets



Utility cabinets range in size from 12" to 36" wide, 84" to 96" high and 12" to 24" deep.

Single door cathedral Utility cabinets must be ordered hinged left or right. Single door square Utility cabinets are hinged left and can be reversed in the field.

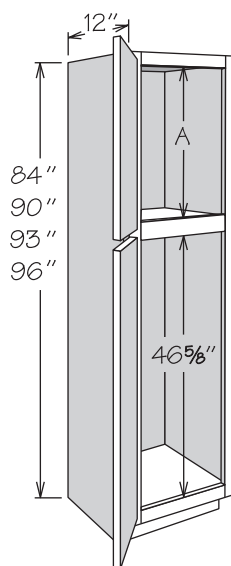
All Utility cabinet bottom doors will have a center rail with the exception of all Sydney, Thermofoil and Duraform door styles.

Inset Toe Kick construction requires BTK8 matching toe kick – must be ordered separately.

See page 39 for Ceiling Height Requirements information.

Utility Cabinet

12" Deep • 2 Doors
No Shelves



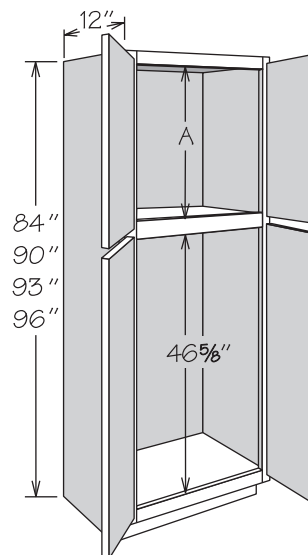
	A
84" High	26 1/8"
90" High	32 1/8"
93" High	35 1/8"
96" High	38 1/8"

UT1212 X 84	AF1
UT1512 X 84	APC
UT1812 X 84	CFO
	FE
	MFD
UT1512 X 90	MI
UT1812 X 90	OFD
UT1512 X 93	PE
UT1812 X 93	RD
UT1512 X 96	
UT1812 X 96	

- Shelving and optional interior accessories may be ordered separately – refer to Utility Cabinet Accessories for details
- 4" inset toe kick assembly shipped inside 93" and 96" high cabinets - seam will be visible between toe kick box and side of cabinet

Utility Cabinet

12" Deep • 4 Butt Doors
No Shelves

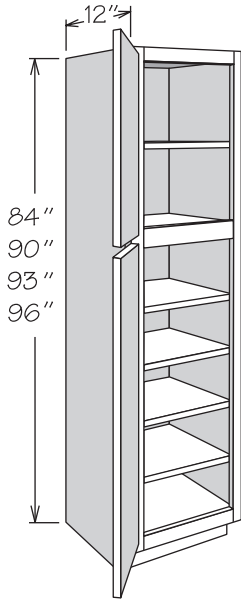


	A
84" High	26 1/8"
90" High	32 1/8"
93" High	35 1/8"
96" High	38 1/8"

UT2412 X 84 BUTT	AF1
UT2412 X 90 BUTT	APC
UT2412 X 93 BUTT	CFO
	FE
	MFD
UT2412 X 96 BUTT	MI
	OFD
	PE
	RD

- Shelving and optional interior accessories may be ordered separately – refer to Utility Cabinet Accessories for details
- 4" inset toe kick assembly shipped inside 93" and 96" high cabinets - seam will be visible between toe kick box and side of cabinet

Utility Cabinet
12" Deep • 2 Doors
With Adjustable Shelves



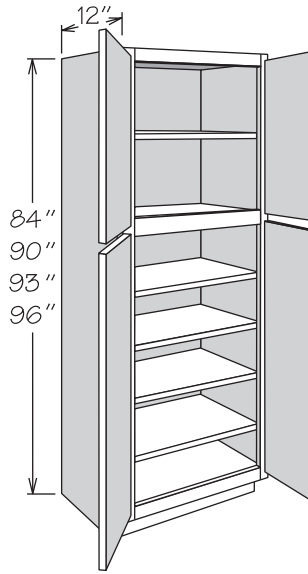
	Number Shelves Top Section	Number Shelves Lower Section
84" High	1	4
90" High	2	4
93" High	3	4
96" High	3	4

UT1212 X 84 AS
UT1512 X 84 AS
UT1812 X 84 AS
UT1512 X 90 AS
UT1812 X 90 AS
UT1512 X 93 AS
UT1812 X 93 AS
UT1512 X 96 AS
UT1812 X 96 AS

AF1
APC
FE
MFD
MI
OFD
PE
RD

- Full-depth adjustable shelves are 3/4" engineered wood and edge banded on front edge only
- All shelving packaged separately for field installation
- 4" inset toe kick assembly shipped inside 93" and 96" high cabinets - seam will be visible between toe kick box and side of cabinet

Utility Cabinet
12" Deep • 4 Butt Doors
With Adjustable Shelves



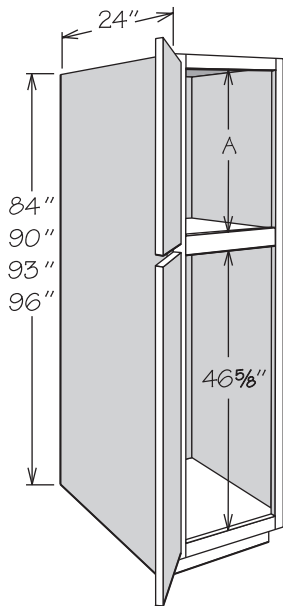
	Number Shelves Top Section	Number Shelves Lower Section
84" High	1	4
90" High	2	4
93" High	3	4
96" High	3	4

UT2412 X 84 AS BUTT
UT2412 X 90 AS BUTT
UT2412 X 93 AS BUTT
UT2412 X 96 AS BUTT

AF1
APC
FE
MFD
MI
OFD
PE
RD

- Full-depth adjustable shelves are 3/4" engineered wood and edge banded on front edge only
- All shelving packaged separately for field installation
- 4" inset toe kick assembly shipped inside 93" and 96" high cabinets - seam will be visible between toe kick box and side of cabinet

Utility Cabinet
24" Deep • 2 Doors
No Shelves

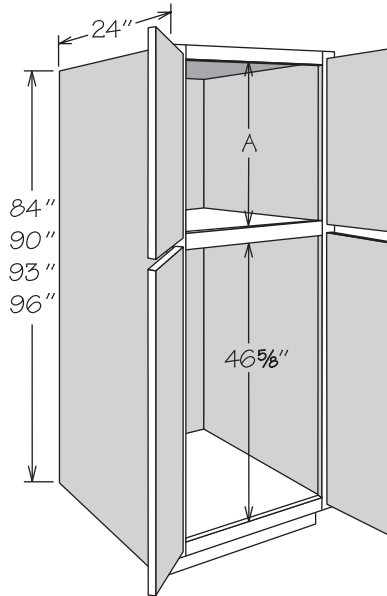


	A
84" High	26 7/8"
90" High	32 7/8"
93" High	35 7/8"
96" High	38 7/8"

UT1224 X 84	AF1
UT1524 X 84	APC
UT1824 X 84	CFO
	FE
	MFD
UT1524 X 90	MI
UT1824 X 90	OFD
	PE
	RD
UT1524 X 93	
UT1824 X 93	
UT1524 X 96	
UT1824 X 96	

- Shelving and optional interior accessories may be ordered separately – refer to Utility Cabinet Accessories for details
- Cabinet backs are pre-drilled to accept up to four Deep Roll Out Trays in lower section
- 4" inset toe kick assembly shipped inside 93" and 96" high cabinets - seam will be visible between toe kick box and side of cabinet

Utility Cabinet
24" Deep • 4 Butt Doors
No Shelves

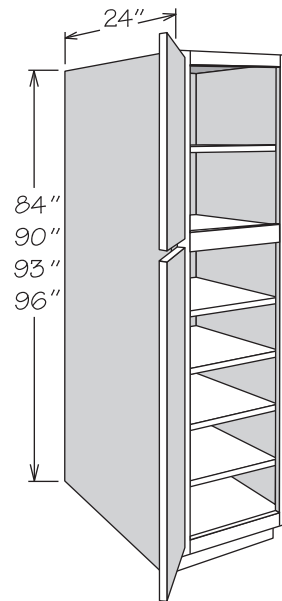


	A
84" High	26 7/8"
90" High	32 7/8"
93" High	35 7/8"
96" High	38 7/8"

UT2424 X 84 BUTT	AF1
UT3024 X 84 BUTT	APC
UT3624 X 84 BUTT	CFO
	FE
	MFD
UT2424 X 90 BUTT	MI
UT3024 X 90 BUTT	OFD
UT3624 X 90 BUTT	PE
	RD
UT2424 X 93 BUTT	
UT3024 X 93 BUTT	
UT3624 X 93 BUTT	
UT2424 X 96 BUTT	
UT3024 X 96 BUTT	
UT3624 X 96 BUTT	

- Shelving and optional interior accessories may be ordered separately – refer to Utility Cabinet Accessories for details
- Cabinet backs are pre-drilled to accept up to four Deep Roll Out Trays in lower section
- 4" inset toe kick assembly shipped inside 93" and 96" high cabinets - seam will be visible between toe kick box and side of cabinet

Utility Cabinet
24" Deep • 2 Doors
With Adjustable Shelves

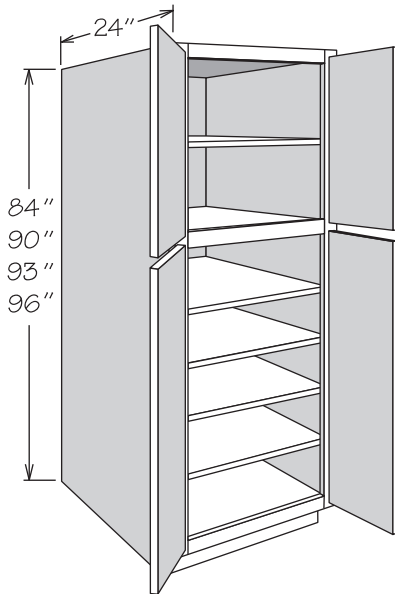


	Number Shelves Top Section	Number Shelves Lower Section
84" High	1	4
90" High	2	4
93" High	3	4
96" High	3	4

UT1224 X 84 AS	AF1
UT1524 X 84 AS	APC
UT1824 X 84 AS	FE
	MFD
	MI
UT1524 X 90 AS	OFD
UT1824 X 90 AS	PE
	RD
UT1524 X 93 AS	
UT1824 X 93 AS	
UT1524 X 96 AS	
UT1824 X 96 AS	

- Full-depth adjustable shelves are 3/4" engineered wood and edge banded on front edge only
- All shelving packaged separately for field installation
- 4" inset toe kick assembly shipped inside 93" and 96" high cabinets - seam will be visible between toe kick box and side of cabinet

Utility Cabinet
24" Deep • 4 Butt Doors
With Adjustable Shelves

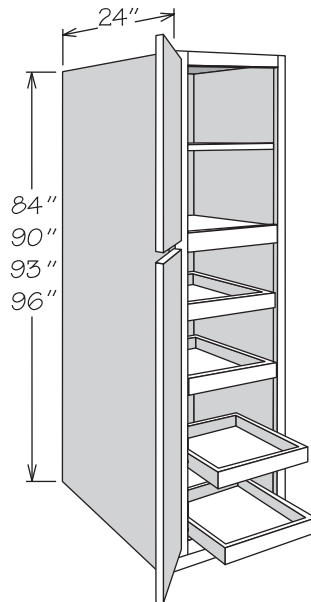


	Number Shelves Top Section	Number Shelves Lower Section
84" High	1	4
90" High	2	4
93" High	3	4
96" High	3	4

UT2424 X 84 AS BUTT	AF1
UT3024 X 84 AS BUTT	APC
UT3624 X 84 AS BUTT	FE
	MFD
	MI
UT2424 X 90 AS BUTT	OFD
UT3024 X 90 AS BUTT	PE
UT3624 X 90 AS BUTT	RD
UT2424 X 93 AS BUTT	
UT3024 X 93 AS BUTT	
UT3624 X 93 AS BUTT	
UT2424 X 96 AS BUTT	
UT3024 X 96 AS BUTT	
UT3624 X 96 AS BUTT	

- Full-depth adjustable shelves are 3/4" engineered wood and edge banded on front edge only
- All shelving packaged separately for field installation
- 4" inset toe kick assembly shipped inside 93" and 96" high cabinets - seam will be visible between toe kick box and side of cabinet

Utility Cabinet
24" Deep • 2 Doors
With Deep Roll Out Trays

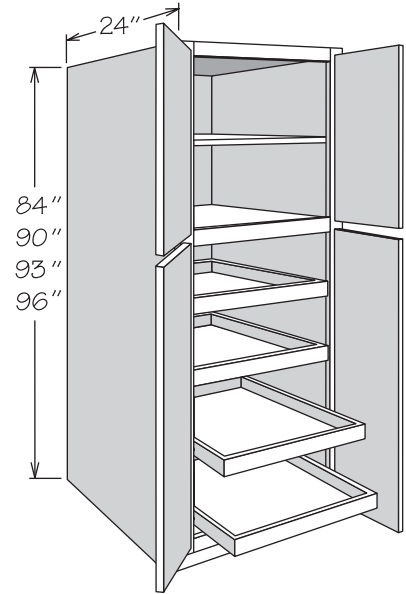


	Number Shelves Top Section	Number Deep Roll Out Trays
84" High	1	4
90" High	2	4
93" High	3	4
96" High	3	4

UT1224 X 84 4ROT	AF1
UT1524 X 84 4ROT	APC
UT1824 X 84 4ROT	FE
	MFD
	MI
UT1524 X 90 4ROT	OFD
UT1824 X 90 4ROT	PE
UT1524 X 93 4ROT	RD
UT1824 X 93 4ROT	
UT1524 X 96 4ROT	
UT1824 X 96 4ROT	

- Full-depth adjustable shelves are 3/4" engineered wood and edge banded on front edge only
- All shelving and Deep Roll Out Trays packaged separately for field installation
- 4" inset toe kick assembly shipped inside 93" and 96" high cabinets - seam will be visible between toe kick box and side of cabinet

Utility Cabinet
24" Deep • 4 Butt Doors
With Deep Roll Out Trays



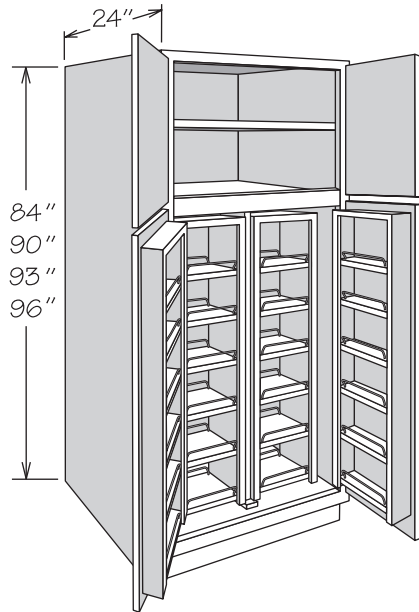
	Number Shelves Top Section	Number Deep Roll Out Trays
84" High	1	4
90" High	2	4
93" High	3	4
96" High	3	4

UT2424 X 84 4ROT BUTT	AF1
UT3024 X 84 4ROT BUTT	APC
UT3624 X 84 4ROT BUTT	FE
	MFD
	MI
UT2424 X 90 4ROT BUTT	OFD
UT3024 X 90 4ROT BUTT	PE
UT3624 X 90 4ROT BUTT	RD
UT2424 X 93 4ROT BUTT	
UT3024 X 93 4ROT BUTT	
UT3624 X 93 4ROT BUTT	
UT2424 X 96 4ROT BUTT	
UT3024 X 96 4ROT BUTT	
UT3624 X 96 4ROT BUTT	

- Full-depth adjustable shelves are 3/4" engineered wood and edge banded on front edge only
- All shelving and Deep Roll Out Trays packaged separately for field installation
- 4" inset toe kick assembly shipped inside 93" and 96" high cabinets - seam will be visible between toe kick box and side of cabinet

Utility Cabinet

24" Deep • 4 Butt Doors
With Pantry Storage



Number Shelves
Top Section

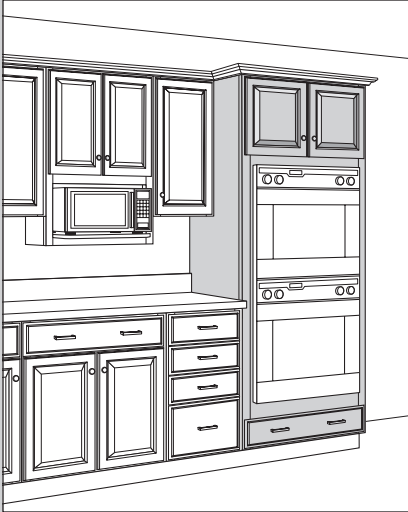
84" High	1
90" High	2
93" High	3
96" High	3

UT3624 X 84 PCDS BUTT	AF1
UT3624 X 90 PCDS BUTT	APC
UT3624 X 93 PCDS BUTT	FE
UT3624 X 96 PCDS BUTT	MFD
	MI
	OFD
	PE

- Accessories and shelving packaged separately for field installation and include:
 - **Pantry Swing Out Kit (PCSK36)**
 - **Two Pantry Door Shelf Kits (PDSK18)**
 - **Utility Cabinet Shelf and Pilaster Kit (PSK36)**
- Full-depth adjustable shelves are 3/4" engineered wood and edge banded on front edge only
- 4" inset toe kick assembly shipped inside 93" and 96" high cabinets - seam will be visible between toe kick box and side of cabinet
- **Minimum filler width of 4 1/2" recommended for installation of this cabinet next to deeper adjacent objects including cabinets, walls, appliances and countertops**

TALL CABINETS

Oven Cabinets

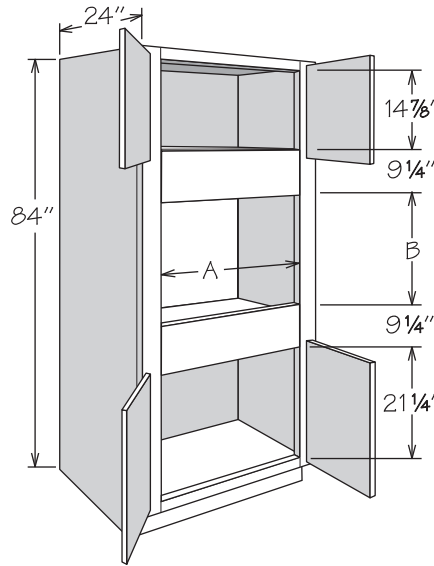


Oven cabinets range in size from 27" to 33" wide, from 84" to 96" high and are 24" deep.

Inset toe kick construction requires BTK8 matching toe kick – must be ordered separately.

See page 39 for Ceiling Height Requirements information.

Single Oven Cabinet
84" High • 4 Butt Doors



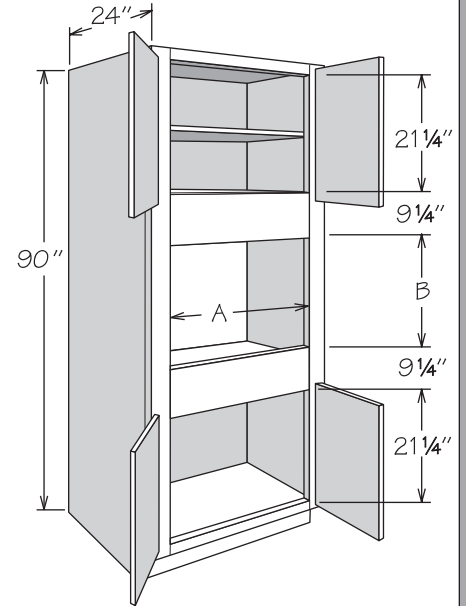
Cut Out Dimensions	A Actual	A Max.	B Actual	B Max.
OVS2784 BUTT	20 3/4"	25"	22 1/8"	37 3/8"
OVS3084 BUTT	23 3/4"	28"	22 1/8"	37 3/8"
OVS3384 BUTT	26 3/4"	31"	22 1/8"	37 3/8"

OVS2784 BUTT
OVS3084 BUTT
OVS3384 BUTT

APC
CFO
FE
PE
RD

- 3 1/8" stiles
- Features face-mount hinges
- Order Oven Support Shelf (OSS___) separately
- **Refer to appliance manufacturer's specifications for adequate clearances and required installation materials**
- Heat Shield Kit (HSK) recommended for Thermofoil door styles
- Open area for electrical access

Single Oven Cabinet
90" High • 4 Butt Doors



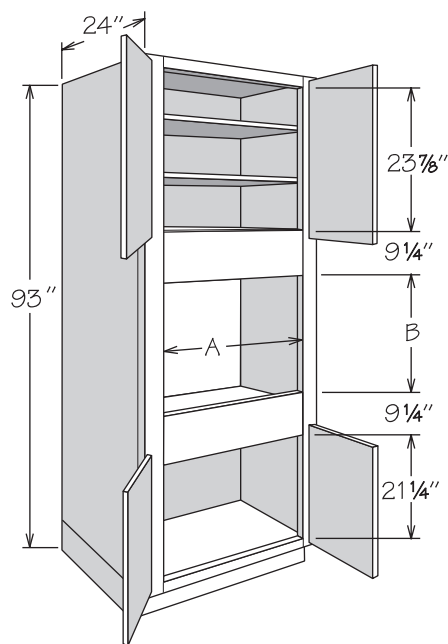
Cut Out Dimensions	A Actual	A Max.	B Actual	B Max.
OVS2790 AS BUTT	20 3/4"	25"	21 3/4"	37"
OVS3090 AS BUTT	23 3/4"	28"	21 3/4"	37"
OVS3390 AS BUTT	26 3/4"	31"	21 3/4"	37"

OVS2790 AS BUTT
OVS3090 AS BUTT
OVS3390 AS BUTT

APC
CFO
FE
PE
RD

- 3 1/8" stiles
- Features face-mount hinges
- Features one full-depth 3/4" engineered wood shelf edge banded on front edge only (for top section)
- Shelf packaged separately
- Order Oven Support Shelf (OSS___) separately
- **Refer to appliance manufacturer's specifications for adequate clearances and required installation materials**
- Heat Shield Kit (HSK) recommended for Thermofoil door styles
- Open area for electrical access

Single Oven Cabinet 93" High • 4 Butt Doors



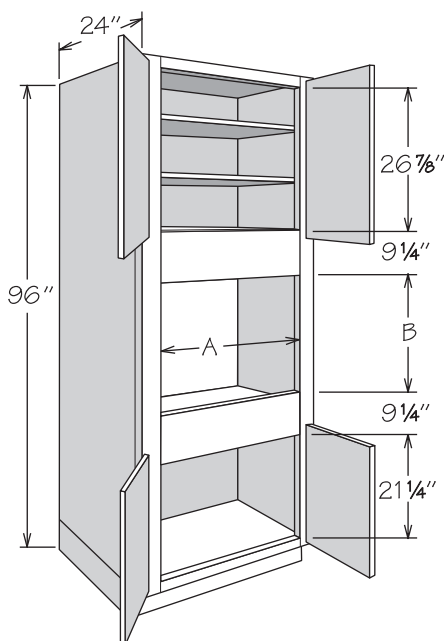
Cut Out Dimensions	A		B	
	Actual	Max.	Actual	Max.
OVS2793 AS BUTT	20 3/4"	25"	22 1/8"	37 3/8"
OVS3093 AS BUTT	23 3/4"	28"	22 1/8"	37 3/8"
OVS3393 AS BUTT	26 3/4"	31"	22 3/8"	37 3/8"

OVS2793 AS BUTT
OVS3093 AS BUTT
OVS3393 AS BUTT

APC
CFO
FE
PE
RD

- 3 1/8" stiles
- Features face-mount hinges
- Features two full-depth 3/4" engineered wood shelves edge banded on front edge only (for top section)
- Shelving packaged separately
- 4" inset toe kick assembly shipped inside cabinet - seam will be visible between toe kick box and side of cabinet
- Order Oven Support Shelf (OSS_) separately
- **Refer to appliance manufacturer's specifications for adequate clearances and required installation materials**
- Heat Shield Kit (HSK) recommended for Thermofoil door styles
- Open area for electrical access

Single Oven Cabinet 96" High • 4 Butt Doors



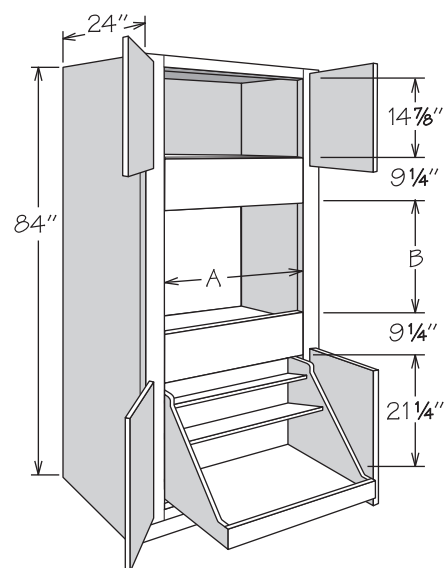
Cut Out Dimensions	A		B	
	Actual	Max.	Actual	Max.
OVS2796 AS BUTT	20 3/4"	25"	22 1/8"	37 3/8"
OVS3096 AS BUTT	23 3/4"	28"	22 1/8"	37 3/8"
OVS3396 AS BUTT	26 3/4"	31"	22 3/8"	37 3/8"

OVS2796 AS BUTT
OVS3096 AS BUTT
OVS3396 AS BUTT

APC
CFO
FE
PE
RD

- 3 1/8" stiles
- Features face-mount hinges
- Features two full-depth 3/4" engineered wood shelves edge banded on front edge only (for top section)
- Shelving packaged separately
- 4" inset toe kick assembly shipped inside cabinet - seam will be visible between toe kick box and side of cabinet
- Order Oven Support Shelf (OSS_) separately
- **Refer to appliance manufacturer's specifications for adequate clearances and required installation materials**
- Heat Shield Kit (HSK) recommended for Thermofoil door styles
- Open area for electrical access

Single Oven Cabinet 84" High • 4 Butt Doors With Base Pot & Pan Organizer



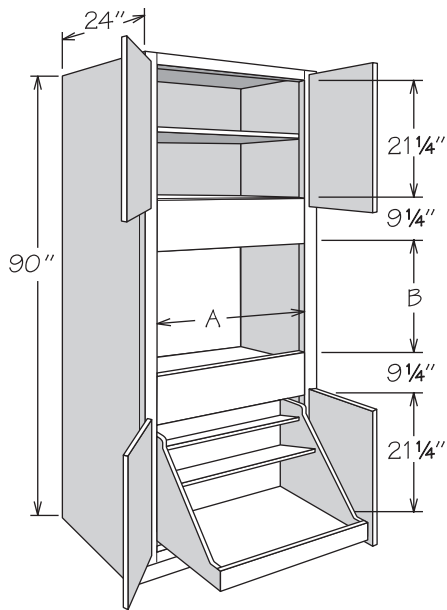
Cut Out Dimensions	A		B	
	Actual	Max.	Actual	Max.
OVS2784 BUTT BPPO	20 3/4"	25"	22 1/8"	37 3/8"
OVS3084 BUTT BPPO	23 3/4"	28"	22 1/8"	37 3/8"
OVS3384 BUTT BPPO	26 3/4"	31"	22 1/8"	37 3/8"

OVS2784 BUTT BPPO
OVS3084 BUTT BPPO
OVS3384 BUTT BPPO

APC
FE
PE

- 3 1/8" stiles
- Features face-mount hinges
- Base Pot & Pan Organizer packaged separately for field installation
- Organizer in natural finish solid wood and wood veneer construction
- Organizer top shelf measures 6 3/16" deep
- Organizer middle shelf measures 9 3/4" deep
- Order Oven Support Shelf (OSS_) separately
- **Refer to appliance manufacturer's specifications for adequate clearances and required installation materials**
- Heat Shield Kit (HSK) recommended for Thermofoil door styles
- Open area for electrical access

Single Oven Cabinet
90" High • 4 Butt Doors
With Base Pot & Pan Organizer

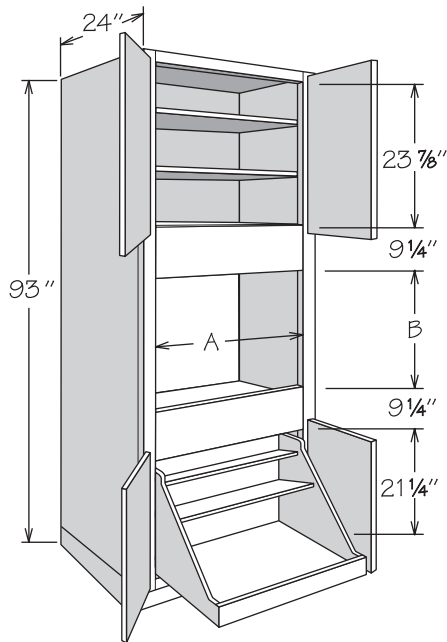


Cut Out Dimensions	A		B	
	Actual	Max.	Actual	Max.
OVS2790 BUTT BPPO	20 3/4"	25"	21 3/4"	37"
OVS3090 BUTT BPPO	23 3/4"	28"	21 3/4"	37"
OVS3390 BUTT BPPO	26 3/4"	31"	21 3/4"	37"

OVS2790 BUTT BPPO OVS3090 BUTT BPPO OVS3390 BUTT BPPO	APC
	FE
	PE

- 3 1/8" stiles
- Features face-mount hinges
- Features one full-depth 3/4" engineered wood shelf edge banded on front edge only
- Shelf and Base Pot & Pan Organizer packaged separately for field installation
- Organizer in natural finish solid wood and wood veneer construction
- Organizer top shelf measures 6 3/16" deep
- Organizer middle shelf measures 9 3/4" deep
- Order Oven Support Shelf (OSS___) separately
- **Refer to appliance manufacturer's specifications for adequate clearances and required installation materials**
- Heat Shield Kit (HSK) recommended for Thermofoil door styles
- Open area for electrical access

Single Oven Cabinet
93" High • 4 Butt Doors
With Base Pot & Pan Organizer

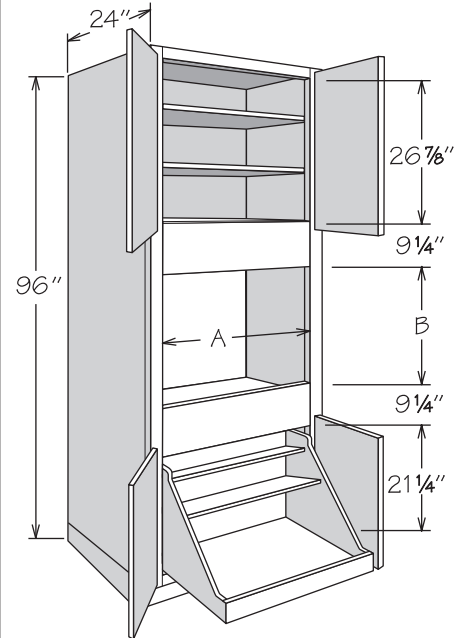


Cut Out Dimensions	A		B	
	Actual	Max.	Actual	Max.
OVS2793 BUTT BPPO	20 3/4"	25"	22 1/8"	37 3/8"
OVS3093 BUTT BPPO	23 3/4"	28"	22 1/8"	37 3/8"
OVS3393 BUTT BPPO	26 3/4"	31"	22 1/8"	37 3/8"

OVS2793 BUTT BPPO OVS3093 BUTT BPPO OVS3393 BUTT BPPO	APC
	FE
	PE

- 3 1/8" stiles
- Features face-mount hinges
- Features two full-depth 3/4" engineered wood shelves edge banded on front edge only
- Shelving and Base Pot & Pan Organizer packaged separately for field installation
- Organizer in natural finish solid wood and wood veneer construction
- Organizer top shelf measures 6 3/16" deep
- Organizer middle shelf measures 9 3/4" deep
- 4" inset toe kick assembly shipped inside cabinet - seam will be visible between toe kick box and side of cabinet
- Order Oven Support Shelf (OSS___) separately
- **Refer to appliance manufacturer's specifications for adequate clearances and required installation materials**
- Heat Shield Kit (HSK) recommended for Thermofoil door styles
- Open area for electrical access

Single Oven Cabinet
96" High • 4 Butt Doors
With Base Pot & Pan Organizer

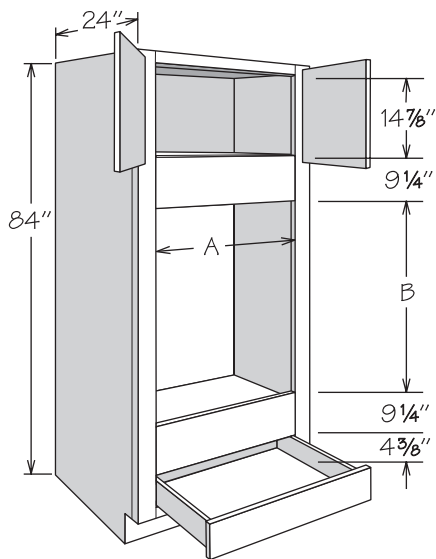


Cut Out Dimensions	A		B	
	Actual	Max.	Actual	Max.
OVS2796 BUTT BPPO	20 3/4"	25"	22 1/8"	37 3/8"
OVS3096 BUTT BPPO	23 3/4"	28"	22 1/8"	37 3/8"
OVS3396 BUTT BPPO	26 3/4"	31"	22 1/8"	37 3/8"

OVS2796 BUTT BPPO OVS3096 BUTT BPPO OVS3396 BUTT BPPO	APC
	FE
	PE

- 3 1/8" stiles
- Features face-mount hinges
- Features two full-depth 3/4" engineered wood shelves edge banded on front edge only
- Shelving and Base Pot & Pan Organizer packaged separately for field installation
- Organizer in natural finish solid wood and wood veneer construction
- Organizer top shelf measures 6 3/16" deep
- Organizer middle shelf measures 9 3/4" deep
- 4" inset toe kick assembly shipped inside cabinet - seam will be visible between toe kick box and side of cabinet
- Order Oven Support Shelf (OSS___) separately
- **Refer to appliance manufacturer's specifications for adequate clearances and required installation materials**
- Heat Shield Kit (HSK) recommended for Thermofoil door styles
- Open area for electrical access

Double Oven Cabinet
84" High • 2 Butt Doors



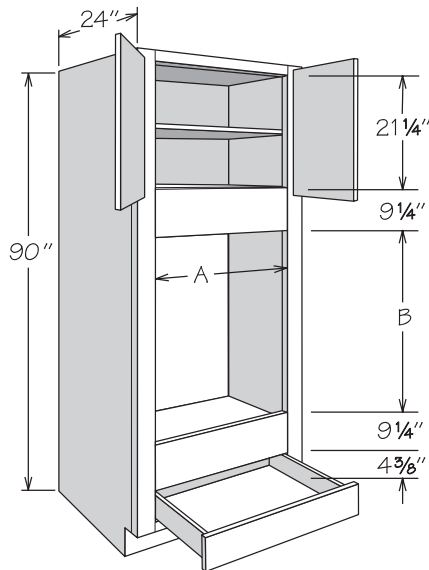
Cut Out Dimensions	A		B	
	Actual	Max.	Actual	Max.*
OVD2784 BUTT	20 3/4"	25"	39"	54 1/4"
OVD3084 BUTT	23 3/4"	28"	39"	54 1/4"
OVD3384 BUTT	26 3/4"	31"	39"	54 1/4"

*Maximum height by removing drawer unit and frame horizontal is 60 1/4"

OVD2784 BUTT	APC
OVD3084 BUTT	CFO
OVD3384 BUTT	FE
	PE
	RD

- 3 1/8" stiles
- Features face-mount hinges
- Order Oven Support Shelf (OSS_) separately
- **Refer to appliance manufacturer's specifications for adequate clearances and required installation materials**
- Heat Shield Kit (HSK) recommended for Thermofoil door styles
- Open area for electrical access

Double Oven Cabinet
90" High • 2 Butt Doors
With 1 Adjustable Shelf



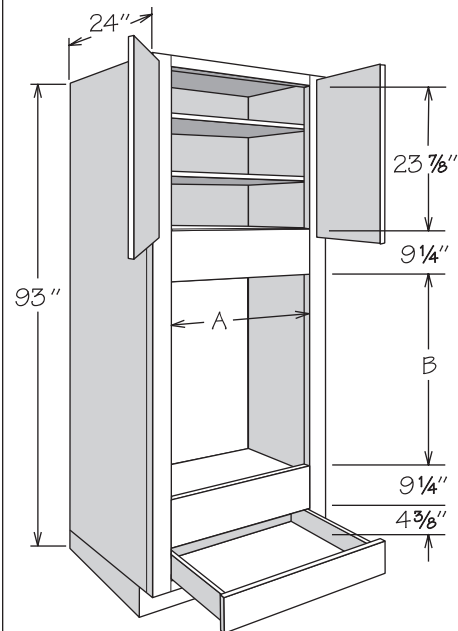
Cut Out Dimensions	A		B	
	Actual	Max.	Actual	Max.*
OVD2790 AS BUTT	20 3/4"	25"	38 5/8"	53 7/8"
OVD3090 AS BUTT	23 3/4"	28"	38 5/8"	53 7/8"
OVD3390 AS BUTT	26 3/4"	31"	38 5/8"	53 7/8"

*Maximum height by removing drawer unit and frame horizontal is 59 7/8"

OVD2790 AS BUTT	APC
OVD3090 AS BUTT	CFO
OVD3390 AS BUTT	FE
	PE
	RD

- 3 1/8" stiles
- Features face-mount hinges
- Features one full-depth 3/4" engineered wood shelf edge banded on front edge only (for top section)
- Shelf packaged separately
- Order Oven Support Shelf (OSS_) separately
- **Refer to appliance manufacturer's specifications for adequate clearances and required installation materials**
- Heat Shield Kit (HSK) recommended for Thermofoil door styles
- Open area for electrical access

Double Oven Cabinet
93" High • 2 Butt Doors
With 2 Adjustable Shelves



Cut Out Dimensions	A		B	
	Actual	Max.	Actual	Max.*
OVD2793 AS BUTT	20 3/4"	25"	39"	54 1/4"
OVD3093 AS BUTT	23 3/4"	28"	39"	54 1/4"
OVD3393 AS BUTT	26 3/4"	31"	39"	54 1/4"

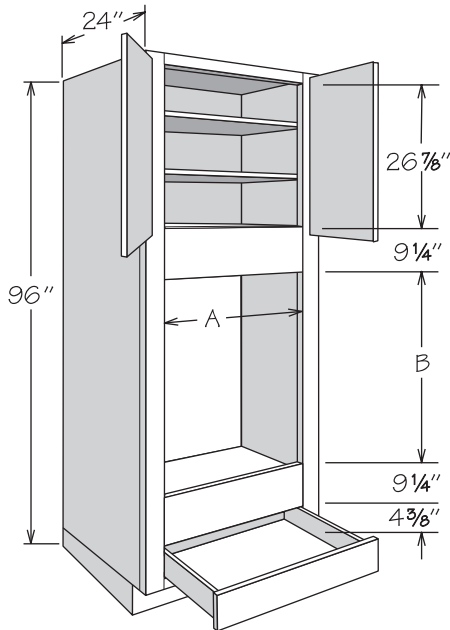
*Maximum height by removing drawer unit and frame horizontal is 60 1/4"

OVD2793 AS BUTT	APC
OVD3093 AS BUTT	CFO
OVD3393 AS BUTT	FE
	PE
	RD

- 3 1/8" stiles
- Features face-mount hinges
- Features two full-depth 3/4" engineered wood shelves edge banded on front edge only (for top section)
- Shelving packaged separately
- 4" inset toe kick assembly shipped inside cabinet
- Order Oven Support Shelf (OSS_) separately
- **Refer to appliance manufacturer's specifications for adequate clearances and required installation materials**
- Heat Shield Kit (HSK) recommended for Thermofoil door styles
- Open area for electrical access

Double Oven Cabinet

96" High • 2 Butt Doors
With 2 Adjustable Shelves



Cut Out Dimensions	A		B	
	Actual	Max.	Actual	Max.*
OVD2796 AS BUTT	20 3/4"	25"	39"	54 1/4"
OVD3096 AS BUTT	23 3/4"	28"	39"	54 1/4"
OVD3396 AS BUTT	26 3/4"	31"	39"	54 1/4"

*Maximum height by removing drawer unit and frame horizontal is 60 1/4"

OVD2796 AS BUTT
OVD3096 AS BUTT
OVD3396 AS BUTT

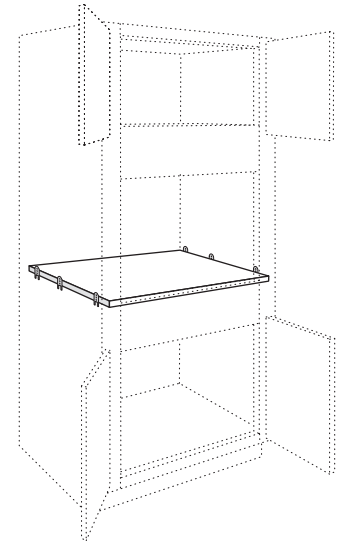
APC
CFO
FE
PE
RD

- 3 1/8" stiles
- Features face-mount hinges
- Features two full-depth 3/4" engineered wood shelves edge banded on front edge only (for top section)
- Shelving packaged separately
- 4" inset toe kick assembly shipped inside cabinet
- Order Oven Support Shelf (OSS_) separately
- **Refer to appliance manufacturer's specifications for adequate clearances and required installation materials**
- Heat Shield Kit (HSK) recommended for Thermofoil door styles
- Open area for electrical access

Utility Cabinet Accessories



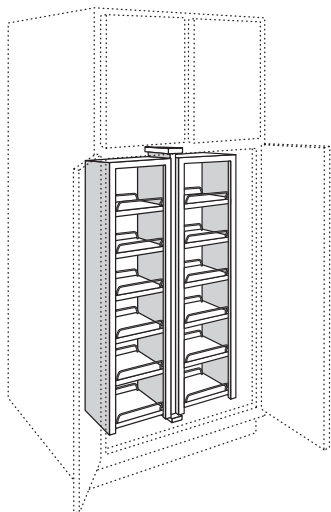
Oven Support Shelf



OSS27
OSS30
OSS33

- Features 3/4" unfinished engineered wood shelf and six mounting clips with screws
- Will support up to 300 lbs when installed per included installation instructions
- **Refer to appliance manufacturer's specifications for adequate clearances and weight requirements**

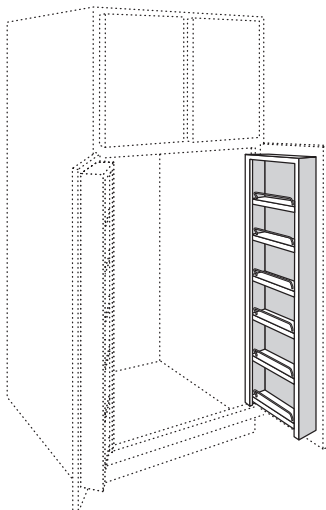
Pantry Swing Out Kit



PCSK36

- Field installation accessory
- For use inside UT3624 X __ BUTT
- Can be used with PDSK18 and/or PSK36
- Natural finish unit features two fixed and ten adjustable shelves with chrome rail
- Overall dimensions: 25 3/4" wide x 45" high x 7 1/2" deep
- Not sized to fit cabinets with Reduced Depth
- **Minimum filler width of 4 1/2" recommended for installation of a cabinet with this accessory next to deeper adjacent objects including cabinets, walls, appliances and countertops**

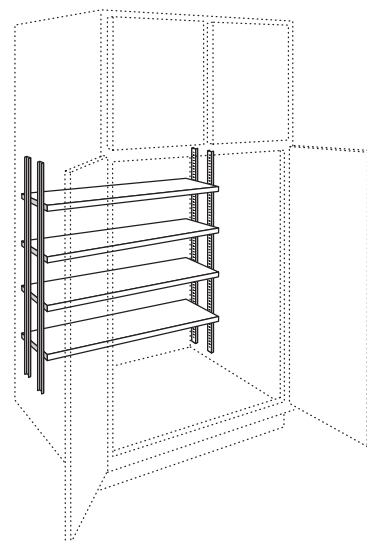
Pantry Door Shelf Kit



PDSK18

- Field installation accessory
- For use inside UT3624 X __ BUTT
- Order each door unit separately
- Can be used with PCSK36 and/or PSK36
- Natural finish unit features one fixed and five adjustable shelves with chrome rail
- Overall dimensions: 12" wide x 45" high x 4" deep
- Not recommended for cabinets with Reduced Depth Option
- **Minimum filler width of 4 1/2" recommended for installation of a cabinet with this accessory next to deeper adjacent objects including cabinets, walls, appliances and countertops**

Utility Cabinet Shelf & Pilaster Kit

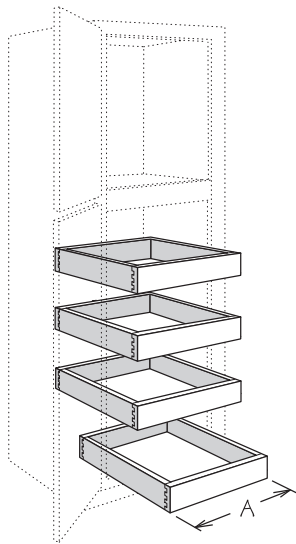
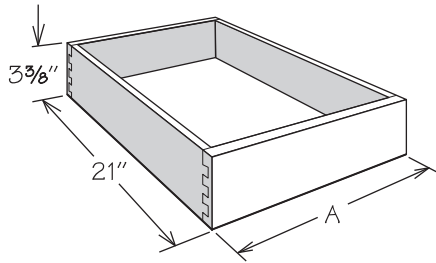


PSK36

APC
RD

- Field installation accessory
- Kit features four 9" deep shelves edge banded on front edge only, four 36" zinc pilasters, screws and installation instructions
- For use inside UT3624 X __ BUTT
- Field trimmable for use inside UT1824
- Can be used with PCSK36 and/or PDSK18

Tall Cabinet
 Deep Roll Out Tray Kit or
 4 Pack Deep Roll Out Tray Kit



	A
DROT12	7 3/4"
DROT15	10 3/4"
DROT18	13 3/4"
DROT24	19 3/4"
DROT30	25 3/4"
DROT36	31 3/4"

Deep Roll Out Tray Kit

- DROT12
- DROT15
- DROT18
- DROT24
- DROT30
- DROT36

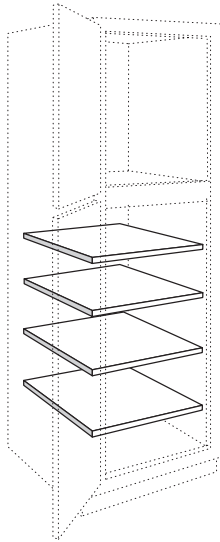
4 Pack Deep Roll Out Tray Kit

- DROT12-4K
- DROT15-4K
- DROT18-4K
- DROT24-4K
- DROT30-4K
- DROT36-4K

- Field installation accessory
- Natural finish dovetail drawer with MDF bottom
- Includes Deep Roll Out Tray, all glide hardware and installation instructions

RD

Tall Cabinet
 Adjustable Shelf or 4 Pack Shelf Kit



Adjustable Shelf

- | | |
|-----------------|-----------------|
| 12" Deep | 24" Deep |
| ■ S1212 | ■ S1224 |
| ■ S1512 | ■ S1524 |
| ■ S1812 | ■ S1824 |
| ■ S2412 | ■ S2424 |
| ■ S3612 | S2724 |
| | ■ S3024 |
| | S3324 |
| | ■ S3624 |

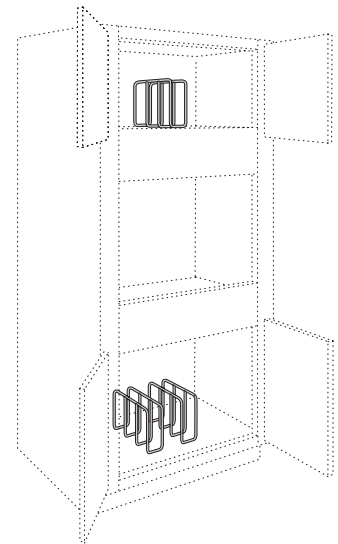
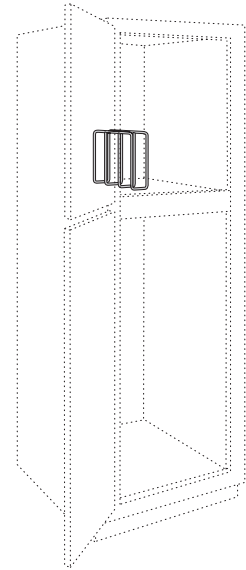
4 Pack Shelf Kit

- | | |
|-----------------|-----------------|
| 12" Deep | 24" Deep |
| ■ SK1212 | ■ SK1224 |
| ■ SK1512 | ■ SK1524 |
| ■ SK1812 | ■ SK1824 |
| ■ SK2412 | ■ SK2424 |
| ■ SK3612 | SK2724 |
| | ■ SK3024 |
| | SK3324 |
| | ■ SK3624 |

- Field installation accessory
- 3/4" engineered wood
- Edge banded on front edge only
- CLIP LOCK shelf rests included

APC
■ MI
RD

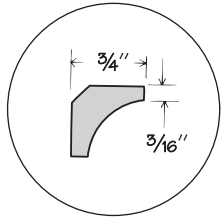
Cabinet Tray Divider



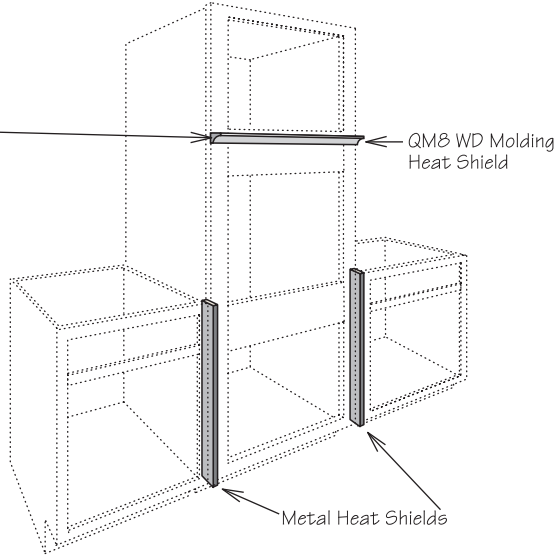
TD3

- Field installation accessory
- Chrome finish
- Mounting hardware included
- Overall dimensions:
 2 7/8" wide x 9 15/16" high x 11 3/4" deep
- Order Cabinet Tray Dividers individually
- For use in any 24" deep cabinet or Reduced Depth cabinet to RD-14"

Heat Shield Kit



QM8 WD Molding Detail



HSK

- Field installation accessory
- Available for Thermofoil door styles only
- Recommended for use as a heat shield for all Thermofoil door styles
- Protects doors and drawer fronts from adjacent heat source (built-in ovens, under counter ovens, drop-in or free-standing ranges)
- Two 1/8" metal heat shields finished to match cabinet exterior