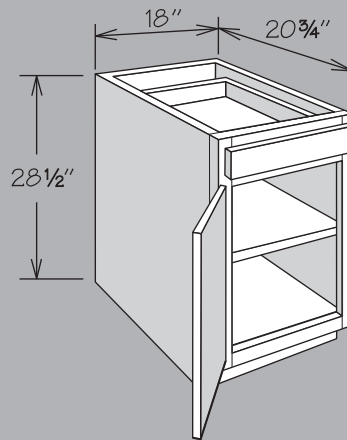


Desk Cabinets & Bookshelves



Dimensions

Width

12" to 36"

Height

28½" to 96"

Depth

12" to 24"
(Reduced Depth optional
on select cabinets)

SKU Coding

DDO

Cabinet Type
(e.g., DDO =
Desk Door Cabinet)

18

width
in inches

21

depth
in inches

Construction Options & Modifications

APC All Plywood Construction

CFO Cabinet Front Only

FE Furniture Ends

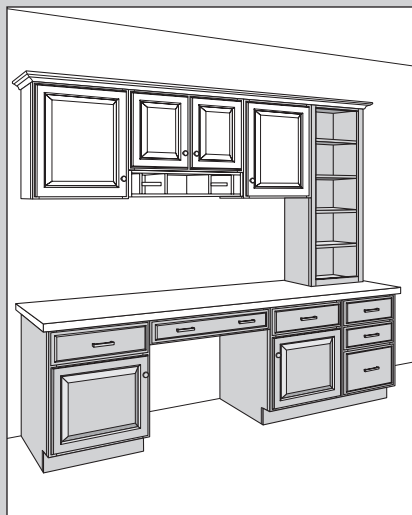
ID Increased Depth (Bookshelves Only)

PE Plywood Ends

RD Reduced Depth

RTK Recessed Toe Kick

Desk Base Cabinets



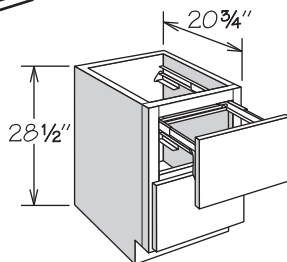
Desk Base cabinets are 12" to 24" wide, 28 1/2" high and 20 3/4" or 24" deep.

Cathedral doors are not available on Desk Base cabinets.

Single door Desk Base cabinets are hinged left and can be reversed in the field.

Inset toe kick construction requires BTK8 matching toe kick – must be ordered separately.

File Drawer Base Cabinet
21" Deep

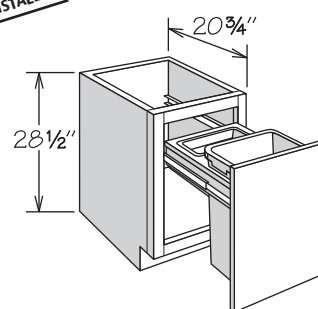


FDB1821

APC
FE
PE
RTK

- Two-tiered file drawer system
- Will accept letter or legal-size hanging files
- Not available with CushionClose
- Features hanging file tracks with no sides or bottom

Desk Base Cabinet
1 Factory Installed Wastebasket
21" Deep

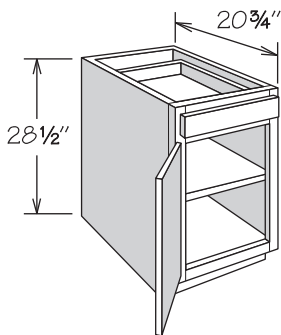


DWBT1821

APC
FE
PE
RTK

- Full-height door
- Features one white plastic 35-quart capacity bin
- Wastebasket rests in a natural maple plywood frame
- Frame slides on full-access glides
- Includes bag storage tray at rear
- Decorative hardware strongly recommended
- Storage tray NOT dishwasher safe
- Wastebasket lid may be ordered separately
- Not available with CushionClose

Desk Door Cabinet
1 Door, 1 Drawer
21" Deep

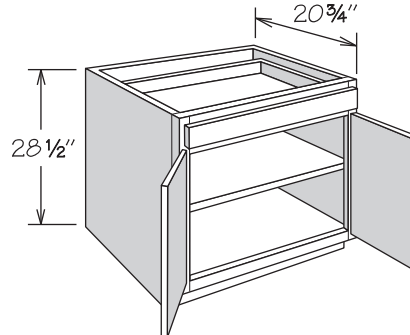


DDO1221
DDO1521
DDO1821
DDO2121

APC
CFO
FE
PE
RD
RTK

- One full-depth adjustable shelf
- May be accessorized with one Deep Roll Out Tray (DROT)
- Recommend mounting Deep Roll Out Tray on cabinet floor

Desk Door Cabinet
2 Doors, 1 Drawer
21" Deep

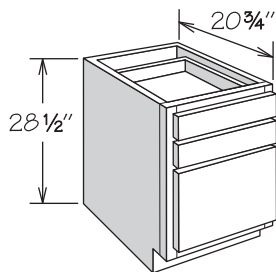


DDO2421 BUTT

APC
CFO
FE
PE
RD
RTK

- One full-depth adjustable shelf
- May be accessorized with one Deep Roll Out Tray (DROT)
- Recommend mounting Deep Roll Out Tray on cabinet floor

Desk Drawer Cabinet
21" Deep

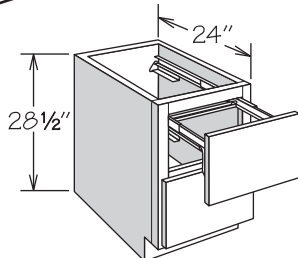


DDR1221
DDR1521
DDR1821
DDR2121
DDR2421

APC
CFO
FE
PE
RD
RTK

- One large and two standard drawers
- Large drawer cannot be used as a file drawer

File Drawer Base Cabinet
24" Deep

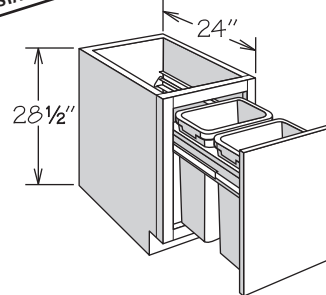


FDB1824

APC
FE
PE
RTK

- Two-tiered file drawer system
- Will accept letter or legal-size hanging files
- Not available with CushionClose
- Features hanging file tracks with no sides or bottom

Desk Base Cabinet
2 Factory Installed Wastebaskets
24" Deep

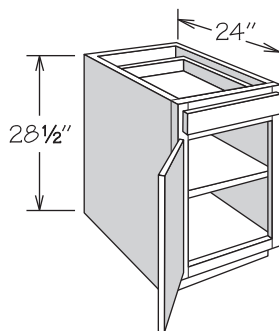


DWBT1824

APC
FE
PE
RTK

- Full-height door
- Features two white plastic 35-quart capacity bins
- Wastebaskets rest in a natural maple plywood frame
- Frame slides on full-access glides
- Decorative hardware strongly recommended
- Wastebasket lids may be ordered separately
- Not available with CushionClose

Desk Door Cabinet
1 Door, 1 Drawer
24" Deep

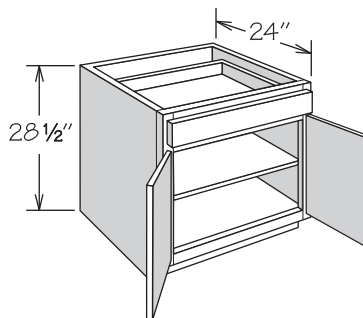


DDO1224
DDO1524
DDO1824
DDO2124

APC
CFO
FE
PE
RD
RTK

- One full-depth adjustable shelf
- May be accessorized with one Deep Roll Out Tray (DROT)
- Recommend mounting Deep Roll Out Tray on cabinet floor

Desk Door Cabinet
2 Doors, 1 Drawer
24" Deep

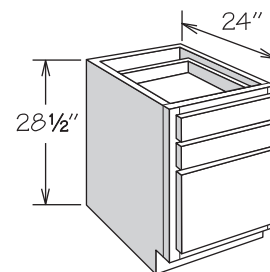


DDO2424 BUTT

APC
CFO
FE
PE
RD
RTK

- One full-depth adjustable shelf
- May be accessorized with one Deep Roll Out Tray (DROT)
- Recommend mounting Deep Roll Out Tray on cabinet floor

Desk Drawer Cabinet
24" Deep

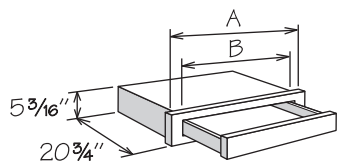


DDR1224
DDR1524
DDR1824
DDR2124
DDR2424

APC
CFO
FE
PE
RD
RTK

- One large and two standard drawers
- Large drawer cannot be used as a file drawer

Kneehole Drawer Cabinet



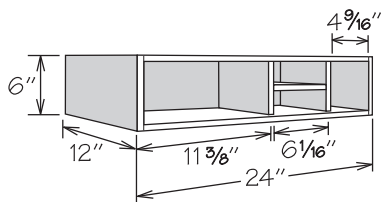
	A	B	Max. Trim
KDC27/21	27"	17 3/4"	21" (3" each side)
KDC33/27	33"	23 3/4"	27" (3" each side)
KDC36/33	36"	29 3/4"	33" (1 1/2" each side)

KDC27/21
KDC33/27
KDC36/33

RD

- Designed for Desk or Vanity installation
- Drawer front complements door style
- Field trimmable in depth to 18" or Reduced Depth Option is available to a minimum of 12"
- Field trimmable in height to 4 3/4"

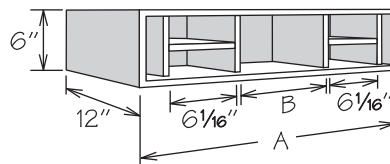
**Shelf Under Cabinet Organizer
24 Wide"**



SUCO24

- SUCO24 installs below 24" wide Wall cabinet
- Features 1/2" veneered engineered wood finished to match cabinet exterior
- Flush sides with no face frame or 1/4" reveals
- Opening is 5" high

**Shelf Under Cabinet Organizer
27" & 30 Wide"**

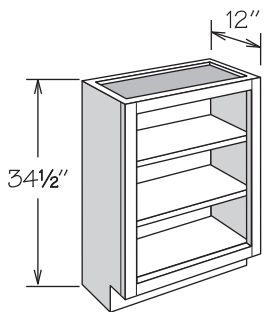


	A	B
SUCO27	27"	8 7/8"
SUCO30	30"	11 7/8"

SUCO27
SUCO30

- SUCO27 installs below 27" wide Wall cabinet
- SUCO30 installs below 30" wide Wall cabinet
- Features 1/2" veneered engineered wood finished to match cabinet exterior
- Flush sides with no face frame or 1/4" reveals
- Opening is 5" high

**Base Bookshelf
34 1/2" High**

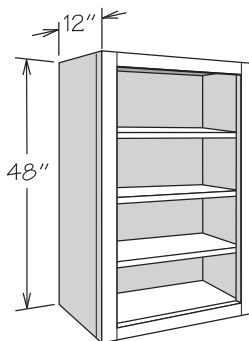


BSPLY2434

FE
ID
RD
RTK

- All Plywood Construction standard
- Interior finished to match cabinet exterior
- Features two adjustable 3/4" plywood shelves
- Shelving packaged separately for field installation

**Wall Bookshelves
48" High**

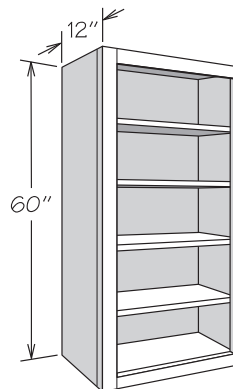


BSPLY1848
BSPLY2448
BSPLY3048
BSPLY3648

FE
ID
RD

- All Plywood Construction standard
- Interior finished to match cabinet exterior
- Features three adjustable 3/4" plywood shelves
- Shelving packaged separately for field installation

**Wall Bookshelves
60" High**

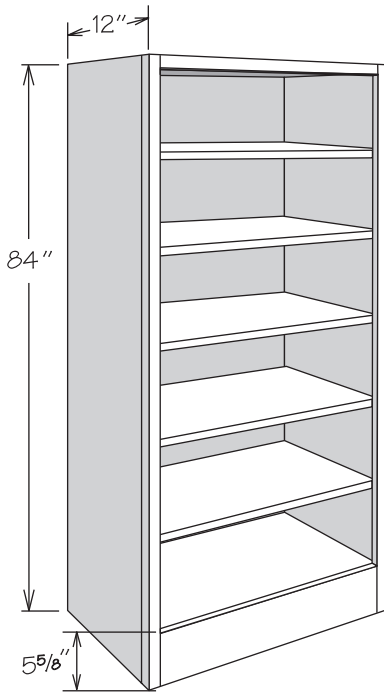


BSPLY1860
BSPLY2460
BSPLY3060
BSPLY3660

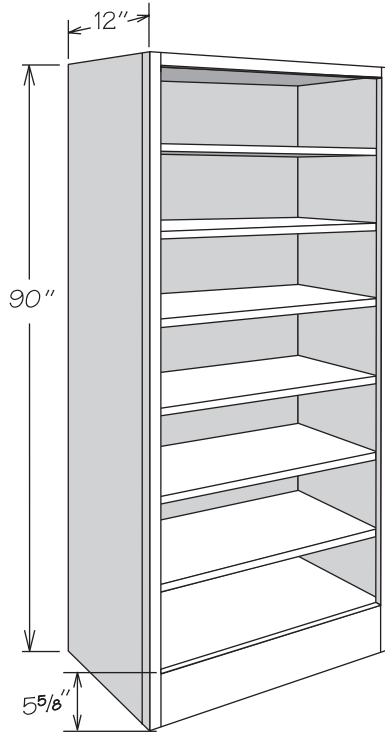
FE
ID
RD

- All Plywood Construction standard
- Interior finished to match cabinet exterior
- Features four adjustable 3/4" plywood shelves
- Shelving packaged separately for field installation

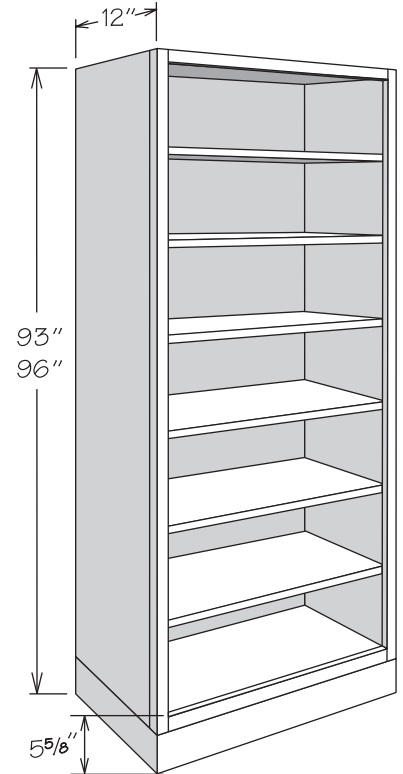
Tall Bookshelves
84" High



Tall Bookshelves
90" High



Tall Bookshelves
93" & 96" High



BSPLY1884
BSPLY2484
BSPLY3084
BSPLY3684

FE
ID
RD

- All Plywood Construction standard
- Interior finished to match cabinet exterior
- Flush furniture toe kick
- Features five adjustable 3/4" plywood shelves
- Shelving packaged separately for field installation

BSPLY1890
BSPLY2490
BSPLY3090
BSPLY3690

FE
ID
RD

- All Plywood Construction standard
- Interior finished to match cabinet exterior
- Flush furniture toe kick
- Features six adjustable 3/4" plywood shelves
- Shelving packaged separately for field installation

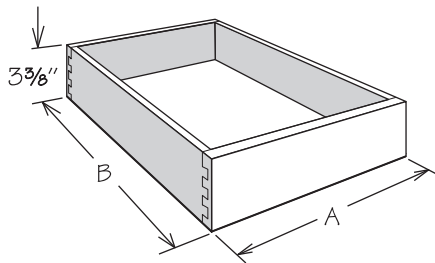
BSPLY1893
BSPLY2493
BSPLY3093
BSPLY3693

BSPLY1896
BSPLY2496
BSPLY3096
BSPLY3696

FE
ID
RD

- All Plywood Construction standard
- Interior finished to match cabinet exterior
- Flush furniture toe kick shipped unattached
- Features six adjustable 3/4" plywood shelves
- Shelving packaged separately for field installation

Deep Roll Out Tray Kit

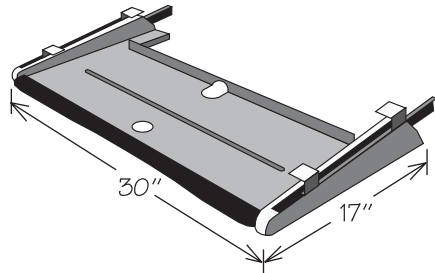


		RD
DROT12	DROT1221	
DROT15	DROT1521	
DROT18	DROT1821	
DROT21	DROT2421	
DROT24		

- Field installation accessory
- Includes tray, all glide hardware and installation instructions

	A	B
DROT12	7 3/4"	21"
DROT15	10 3/4"	21"
DROT18	13 3/4"	21"
DROT21	16 3/4"	21"
DROT24	19 3/4"	21"
DROT1221	7 3/4"	18"
DROT1521	10 3/4"	18"
DROT1821	13 3/4"	18"
DROT2421	19 3/4"	18"

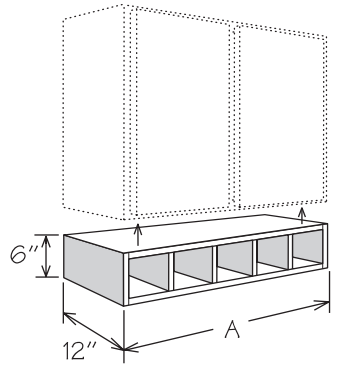
Keyboard Tray



KBT30

- Field installation accessory
- Designed to mount to underside of countertop
- For 21" and 24" deep Desk installation only
- Requires 30" or wider opening
- Features ball bearing glide system
- Includes mouse pad and foam palm rest
- Black finish
- Not sized to fit cabinets with Reduced Depth

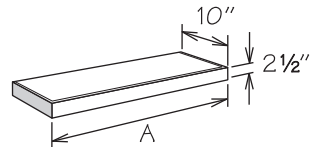
Storage Cube



	A
SC30	30"
SC36	36"
SC42	42"

- Designed for horizontal or vertical installation
- Vertical installation may require the use of fillers and/or molding which must be ordered separately
- Opening size is 5" wide x 4 1/2" high (horizontal) which will accommodate various storage needs
- Features 3/4" veneered engineered wood finished to match cabinet exterior
- Interior finished to match cabinet exterior
- Flush sides with no face frame or 1/4" reveals
- Cannot be retrofitted with Spice Drawer cabinet drawers

Floating Shelf



SKU	A	Max. Load
FLSH2410	24"	30 lbs.
FLSH3010	30"	37 lbs.
FLSH3610	36"	45 lbs.
FLSH4210	42"	52 lbs.
FLSH4810	48"	60 lbs.

FLSH2410
FLSH3010
FLSH3610
FLSH4210
FLSH4810

- Not trimmable
- Finished on all sides to match cabinet exterior
- Features veneered engineered wood top and bottom and solid wood front and sides
- When installed between two cabinets, Furniture Ends (FE) is recommended for adjacent cabinets
- Must be secured to studs in wall
- Installation instructions, mounting brackets and screws included

Construction Options (see page 43): ■ = Available for selected SKUs