

Remodeled.

WE SIMPLIFIED EVERYTHING

Our Blueprint for Success

04

PRICING TIERS

Our collections fit into four simple pricing tiers, offering styles and solutions for every budget.

03

CONSTRUCTION PACKAGES

Get the materials and options you want with three construction packages — Essential, Select, or Luxury.

02

FINISH OPTIONS

Our two finish options offer a range for every project: classic stains and Duraform or a premium painted finish.

01

EXPRESS MANUFACTURING

Get any order built-and-shipped to your jobsite in 10 business days.

4 PRICING TIERS: CHOOSE YOUR BUDGET

TIER 1 -20% LESS THAN STANDARD

- Partial Overlay
- Veneer Center Panel*
- 2 1/4" Stiles & Rails



Breckenridge POL



Cardiff†

TIER 2 STANDARD PRICING

- Full Overlay
- Veneer Center Panel*
- 2 1/4" Stiles & Rails



Breckenridge†



Glasson†



Irvington†



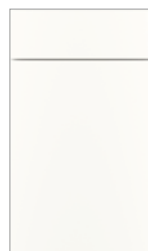
Stemson†

TIER 3 ONLY 10% MORE THAN STANDARD

- Full Overlay
- Veneer Center Panel*
- Up to 3" Stiles & Rails



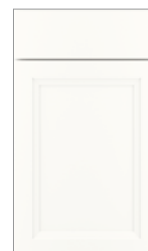
Brindley†



Sydney



Southall†



Warren†

TIER 4 ONLY 20% MORE THAN STANDARD

- Full Overlay
- Solid Center Panel**
- Up to 3" Stiles & Rails



Mission†



Edgeworth†



McKinley††



Riverton†

* Stained finishes feature veneer center panels and solid stile & rails

** Stained finishes feature solid center panels and solid stile & rails

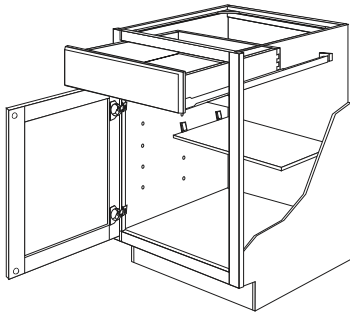
† Available with 5-piece Drawer Front Option (DFO)

†† 5-piece Drawer Front Standard

3 CONSTRUCTION PACKAGES: CHOOSE YOUR CONSTRUCTION

Essential

- 20%

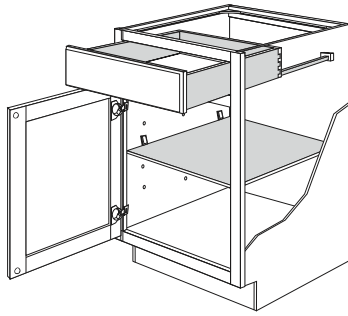


Features include:

- Furniture-grade construction
- Solid hardwood face frames
- 6-way adjustable hinges
- 18-in dovetailed drawers
- Side-mounted glides on drawers
- Half-depth base shelves

Select

BASE PRICE

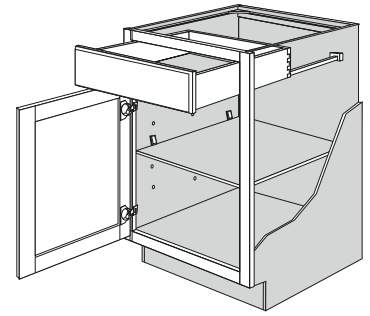


Features include:

- Furniture-grade construction
- Solid hardwood face frames
- 6-way adjustable hinges
- Soft-closing doors and drawers
- Large 21-in drawers
- Full-access drawers with concealed glides
- Full-depth shelves

Luxury

+ 20%



Features include:

- Furniture-grade construction
- Solid hardwood face frames
- 6-way adjustable hinges
- Durable plywood box
- Heavy-duty plywood shelves
- Plywood hanging rails on wall cabinets

2 FINISH OPTIONS: CHOOSE YOUR FINISH

STAIN/DURAFORM

BASE PRICE



MAPLE RYE MAPLE CIDER MAPLE ALMOND MAPLE LATTE MAPLE TRUFFLE MAPLE SLATE CHERRY AMBER CHERRY CLOVE



DURAFORM LINEN DURAFORM HARBOR DURAFORM STONE DURAFORM ESPRESSO DURAFORM BREEZE DURAFORM DRIFT

PREMIUM FINISHES

+ 15%

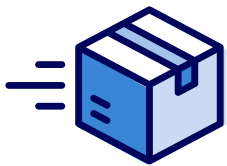


LINEN PEWTER GLAZE VANILLA BISCOTTI GLAZE HARBOR EMBER GLAZE OAT STONE



BOULDER SAGE MIST NAVY BLACK

1 EXPRESS MANUFACTURING: UPGRADE YOUR MANUFACTURING



**BUILD & SHIP
IN 10 DAYS**
WITH EXPRESS MANUFACTURING

- +5% on average for 10 business day build-and-ship
- Delivered direct to jobsite



SCAN TO VIEW THE
Online Brochure

