

ON-TREND CABINETS MANUFACTURED IN JUST 10 DAYS



Shenandoah**PRO**[™]
EXPRESS

SHENANDOAH: A TRUSTED NAME IN CABINETS

For the past 35 years, Shenandoah Cabinetry has partnered with Lowe's to bring on-trend cabinet styles and solutions to market. Start-to-finish service, exclusive pro pricing and nationwide jobsite delivery set us apart.

Our durable, all-plywood, painted shaker cabinets provide a timeless style that coordinates with any homeowner's aesthetic. Backed by a lifetime limited warranty, we're here to support you, with a customer service team you can count on.

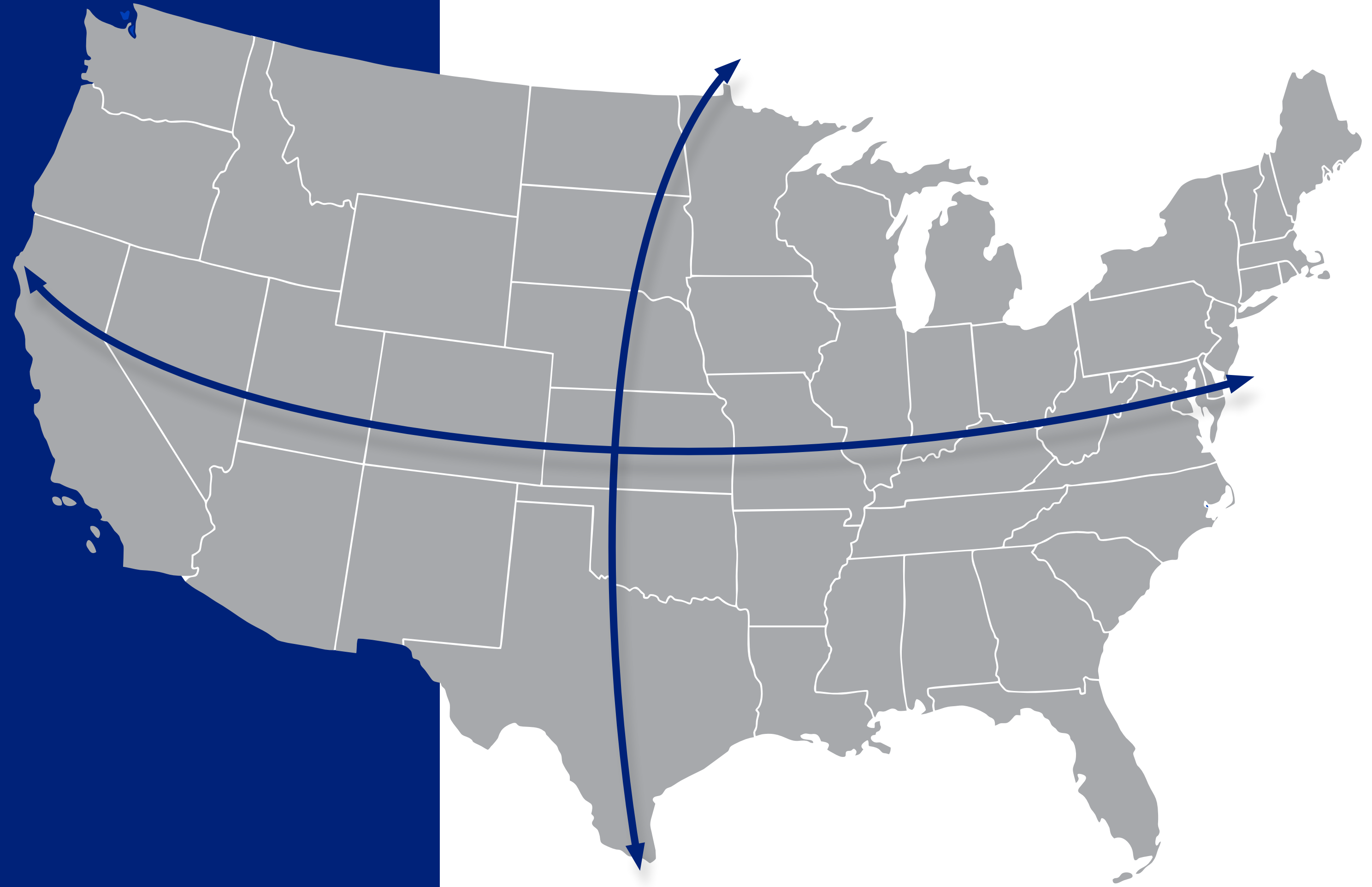




SHENANDOAH PRO EXPRESS OVERVIEW

THE FASTEST WAY TO STAY ON TREND

With on-time nationwide shipping solutions for jobsites across the United States, our expedited manufacturing enables us to build and ship on-trend cabinets in ten days or less.



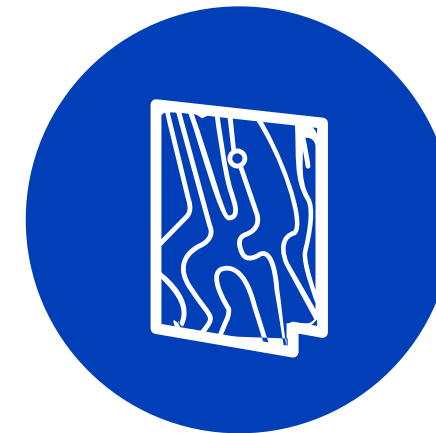
FEATURED PRODUCT HIGHLIGHTS



**2 Door Styles and
2 Finishes**



Premium Paint Finish



**FREE
All-Plywood
Construction**



**Dovetailed 5/8" Thick Drawer
Box with Fully-Captured
Bottom**



**Compatible with
Shenandoah Pro**



**6-Way-Adjustable
Hidden Hinges® with
CushionClose®**



**Full Access Hidden
Glides® with
CushionClose®**



**FREE
10-Day Build
and Ship**



**FREE
Nationwide Jobsite
Delivery**



**Lifetime Limited
Warranty**

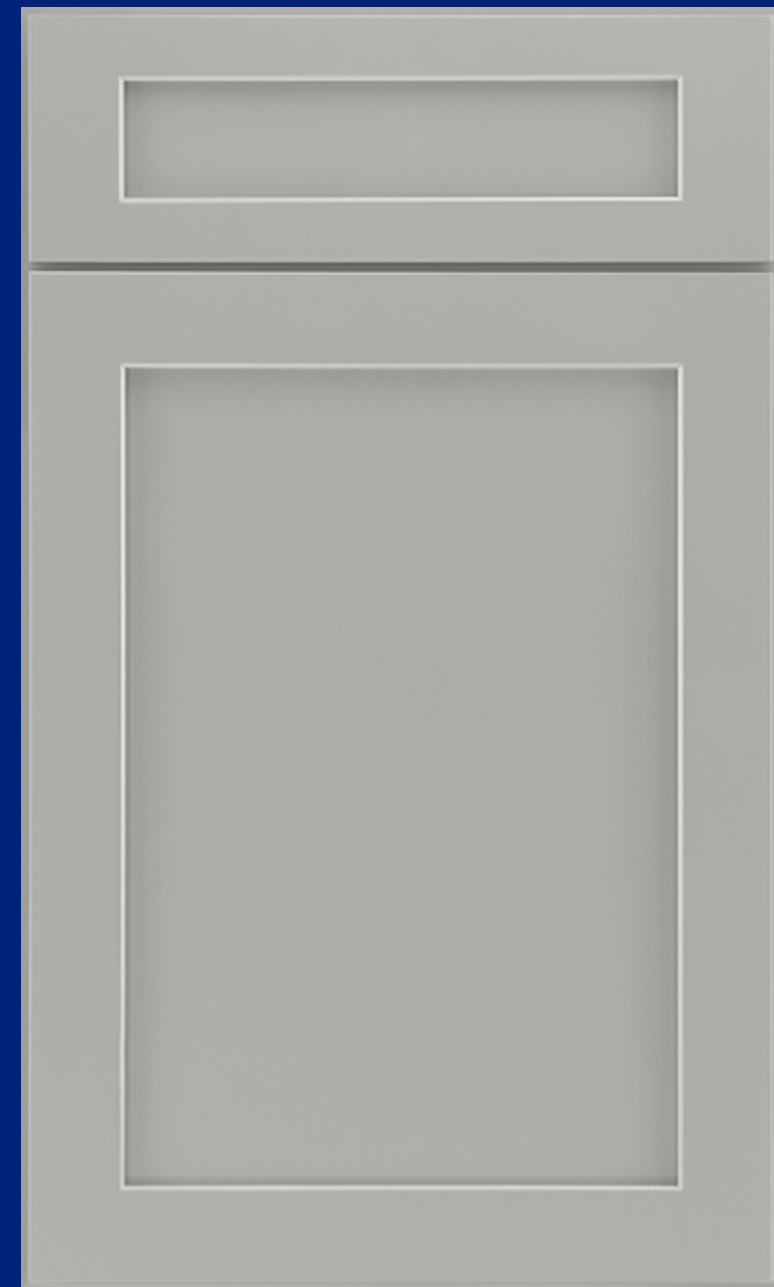
DOOR STYLES

ON-TREND DESIGNS DELIVERED RIGHT TO YOUR JOBSITE

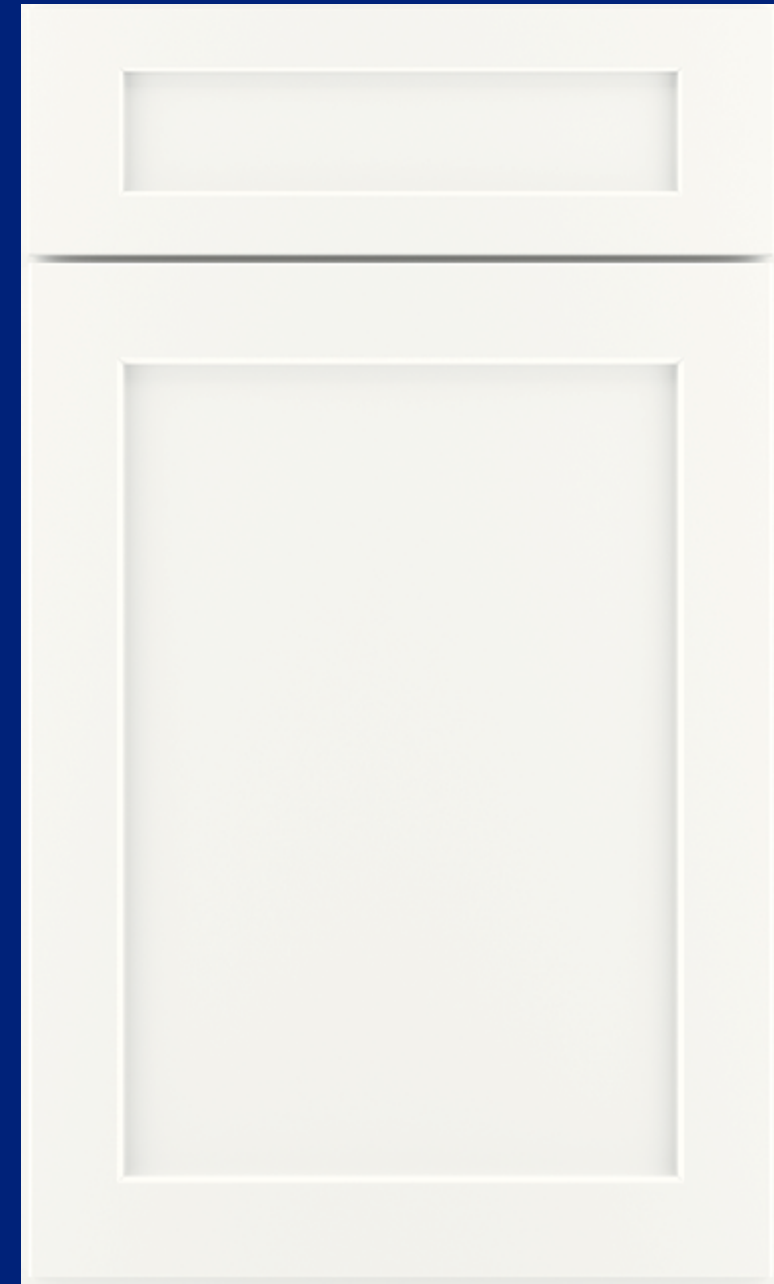
We've made it easy to get the same high-quality products you expect from Shenandoah delivered to your jobsite in as little as 10 days. Simply choose from our best-selling collections and we'll get to work, assembling, packaging, and shipping your cabinets with the fastest lead times in the industry.



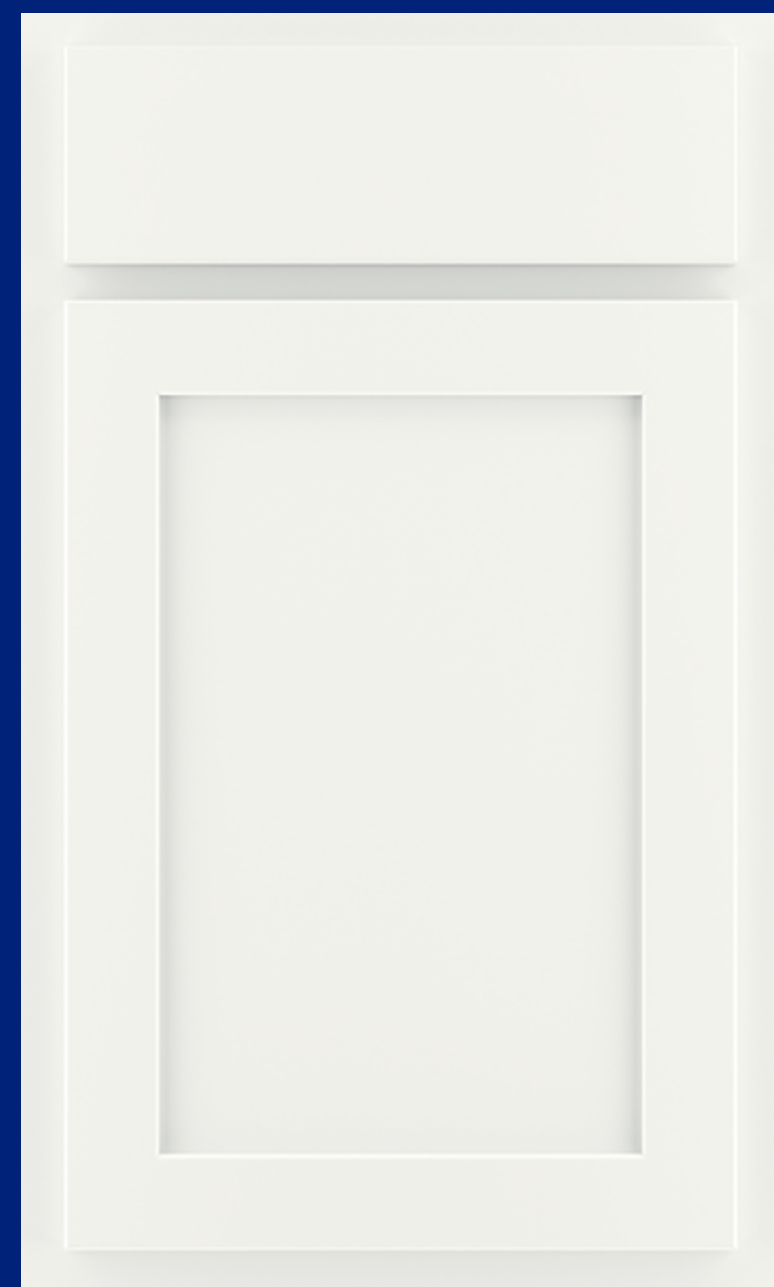
BRECKENRIDGE | PAINTED STONE *(Full Overlay)*



BRECKENRIDGE | PAINTED LINEN (Full Overlay)



BRECKENRIDGE | PAINTED LINEN *(Partial Overlay)*



THE RIGHT SELECTIONS AND FEATURES FOR EVERY PROJECT

Shenandoah Pro Express features the most popular cabinet sizes, styles and finishes all at the speed you need to get the job done. Looking for additional cabinets and accessories to set your project apart? With the inclusion of additional assorted Shenandoah Pro products, such as interior cabinet organization solutions and decorative range hoods, you can mix-and-match any project with ease.



WARRANTY

TIMELESS DESIGNS THAT LAST A LIFETIME

We take pride in our products, providing a lifetime limited warranty that guarantees all cabinets and accessories are free from defects in materials and workmanship.

For more information, visit:
shenandoahcabinetry.com/resources/warranty



ANSI/KCMA A161.1



KITCHEN CABINET MANUFACTURERS ASSOCIATION
ENVIRONMENTAL STEWARDSHIP PROGRAM (ESP)
ALL PRODUCTS IMPACT THE ENVIRONMENT
FOR ESP PROGRAM CRITERIA, VISIT KCMA.ORG



Shenandoah**PRO**TM
EXPRESS 

SPECIFICATION GUIDE | 2024

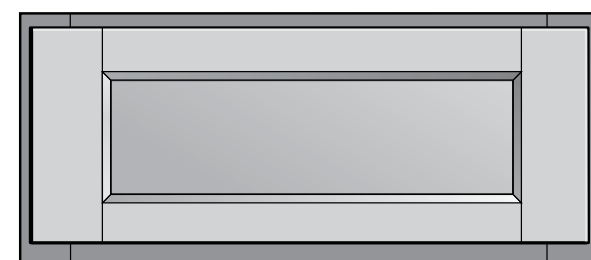




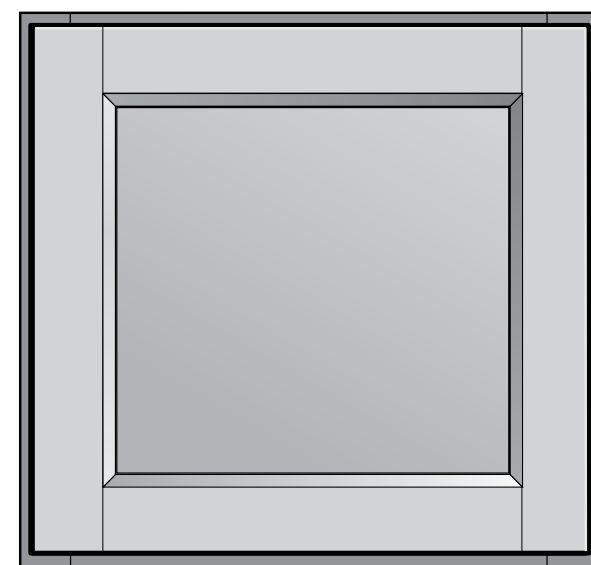
Breckenridge w/ DFO Full Overlay (FOL)



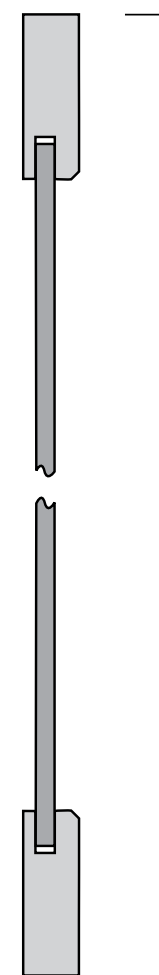
Door



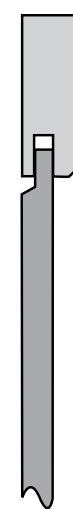
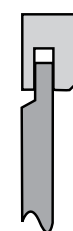
Standard Drawer Front



Large Drawer Front



Cross Section



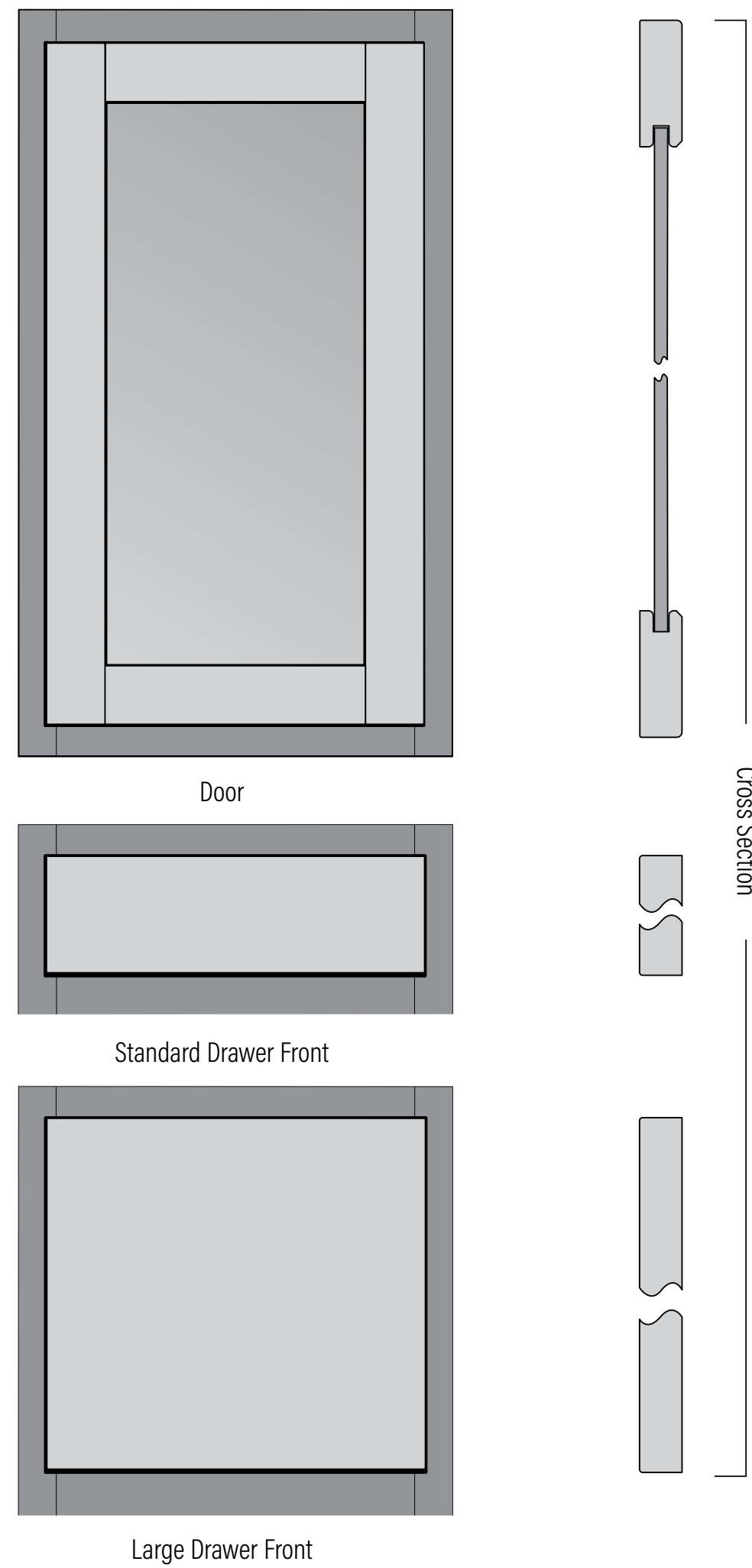
Door Style Details

Door Description:	Recessed Panel
Door Rail & Stile Width:	2 1/4"
Drawer Description:	5-Piece with Recessed Panel
Overlay	Full Overlay (FOL)
Tall Door Details:	Center Rail on 50" High Doors

Door Style Availability

Painted Linen	90MPS
Painted Stone	90MYS

Breckenridge Partial Overlay (POL)



Door Style Details

Door Description:	Recessed Panel
Door Rail & Stile Width:	2 ¼"
Drawer Description:	Slab
Overlay	Partial Overlay (POL)
Tall Door Details:	No Center Rail on 50" High Doors

Door Style Availability

Painted Linen	92MPS
---------------	-------

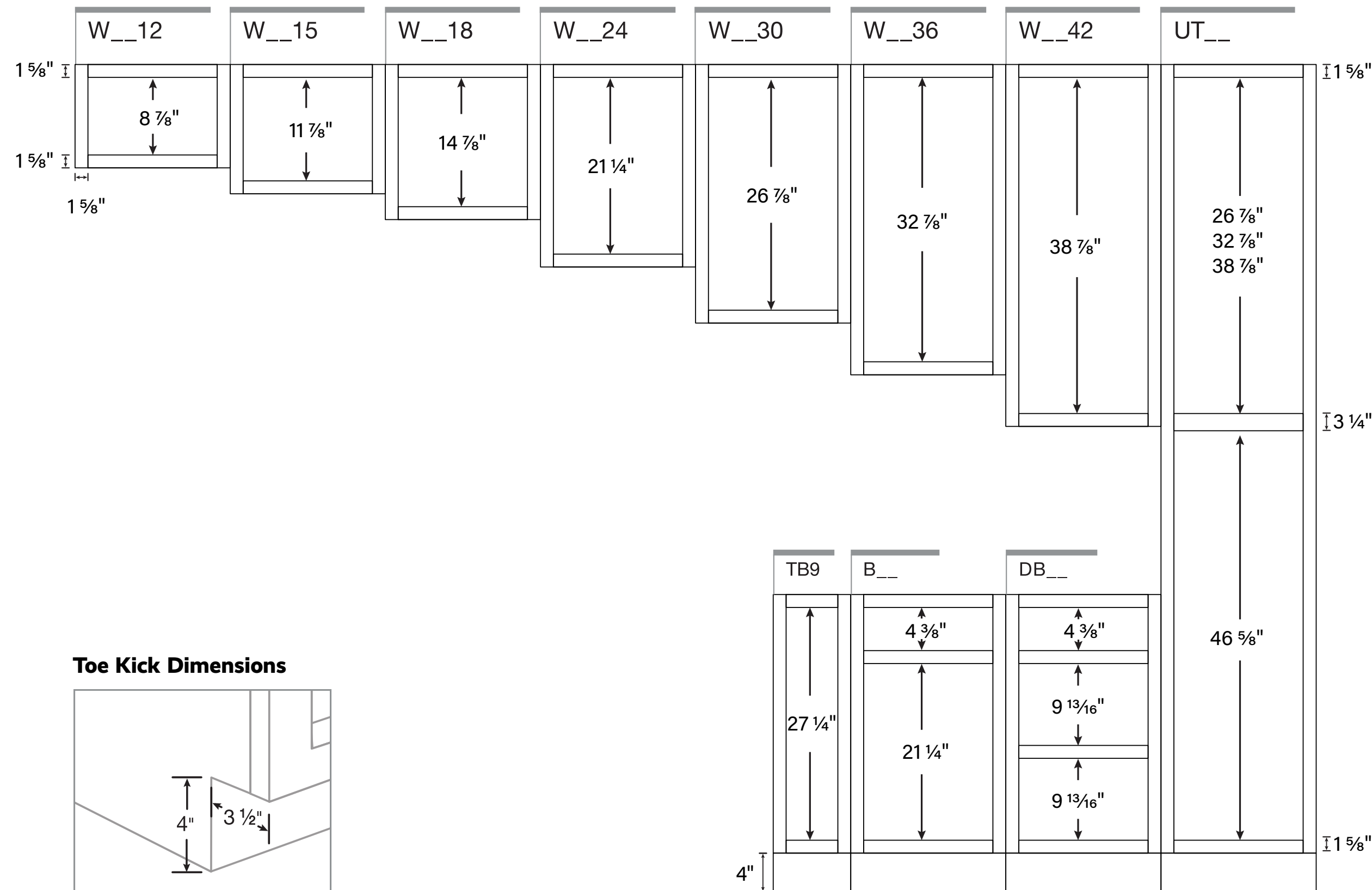


--	--	--	--



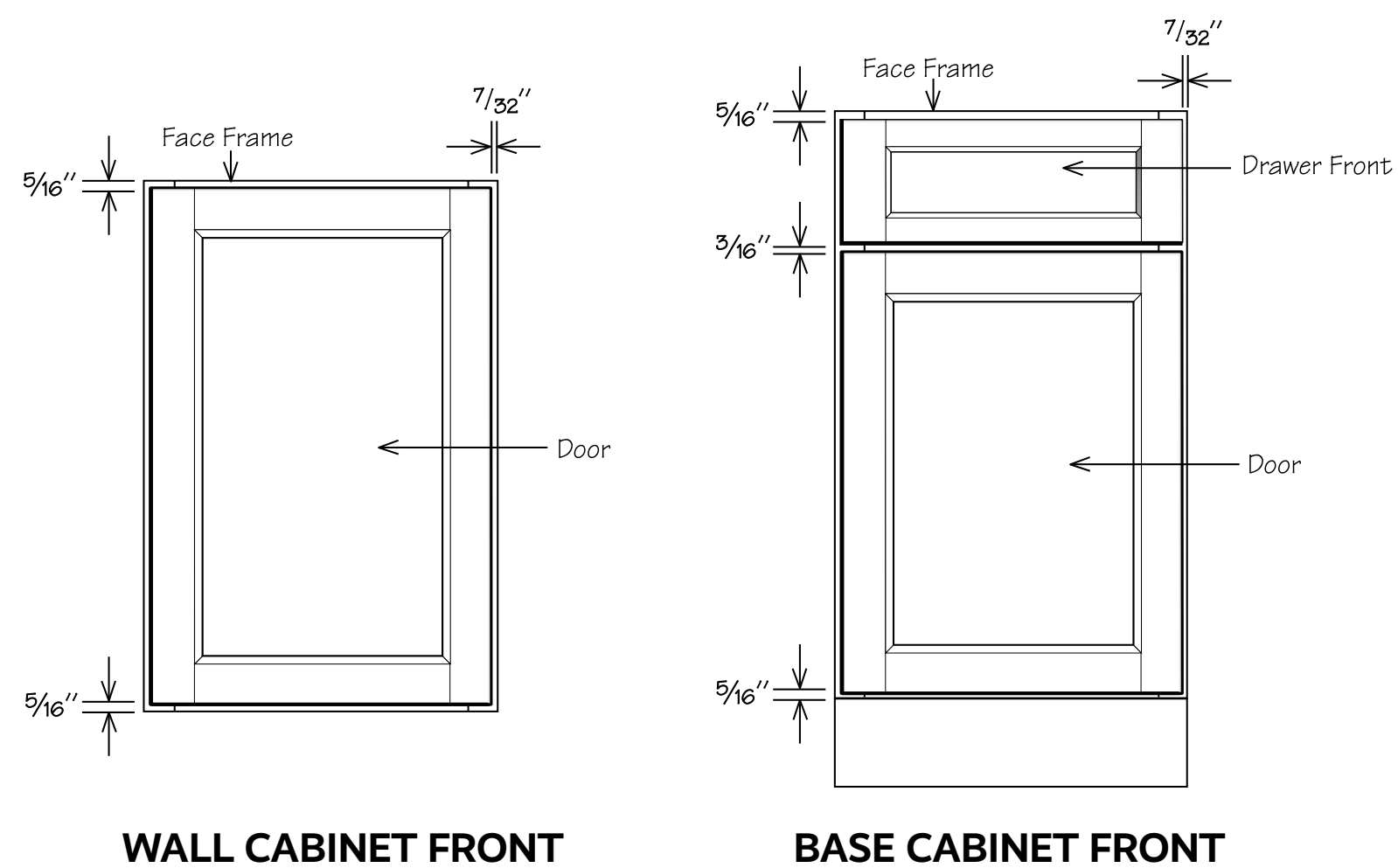
CABINET OPENING DIMENSIONS

Illustrations specify dimensions of vertical stiles and horizontal rails, inset toe kick, and standard interior opening heights. When selecting cabinetry for installation above or near any appliance, refer to the appliance manufacturer's specifications for clearance and venting requirements.



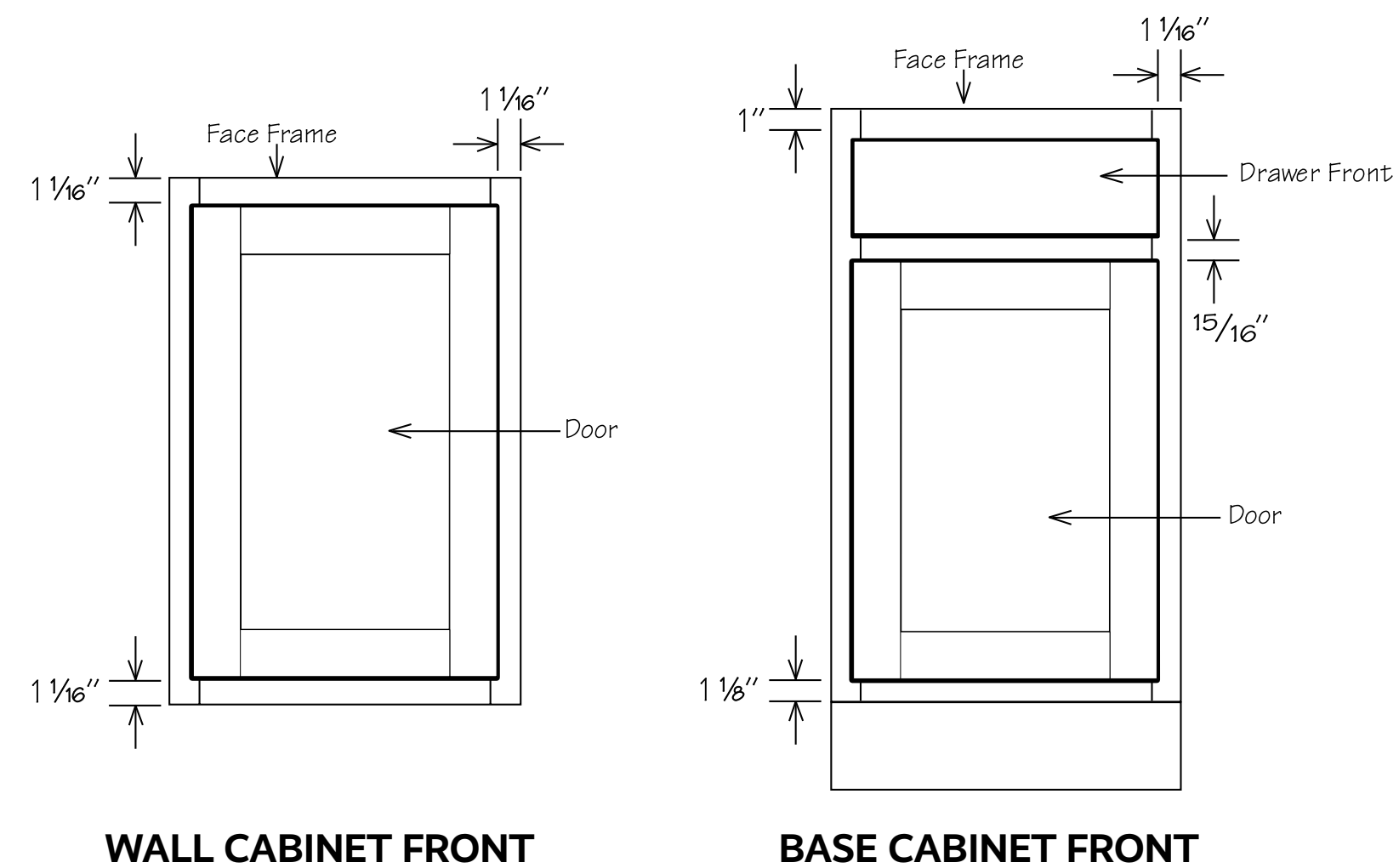
FULL OVERLAY DIMENSIONS

Full Overlay (FOL) doors are sized to cover nearly all of the cabinet face frame. A Full Overlay door style requires decorative hardware. To facilitate proper door operation, include at least a 1" filler between the hinged side of a Full Overlay door and deeper adjacent objects including cabinets, walls, appliances, and countertops.



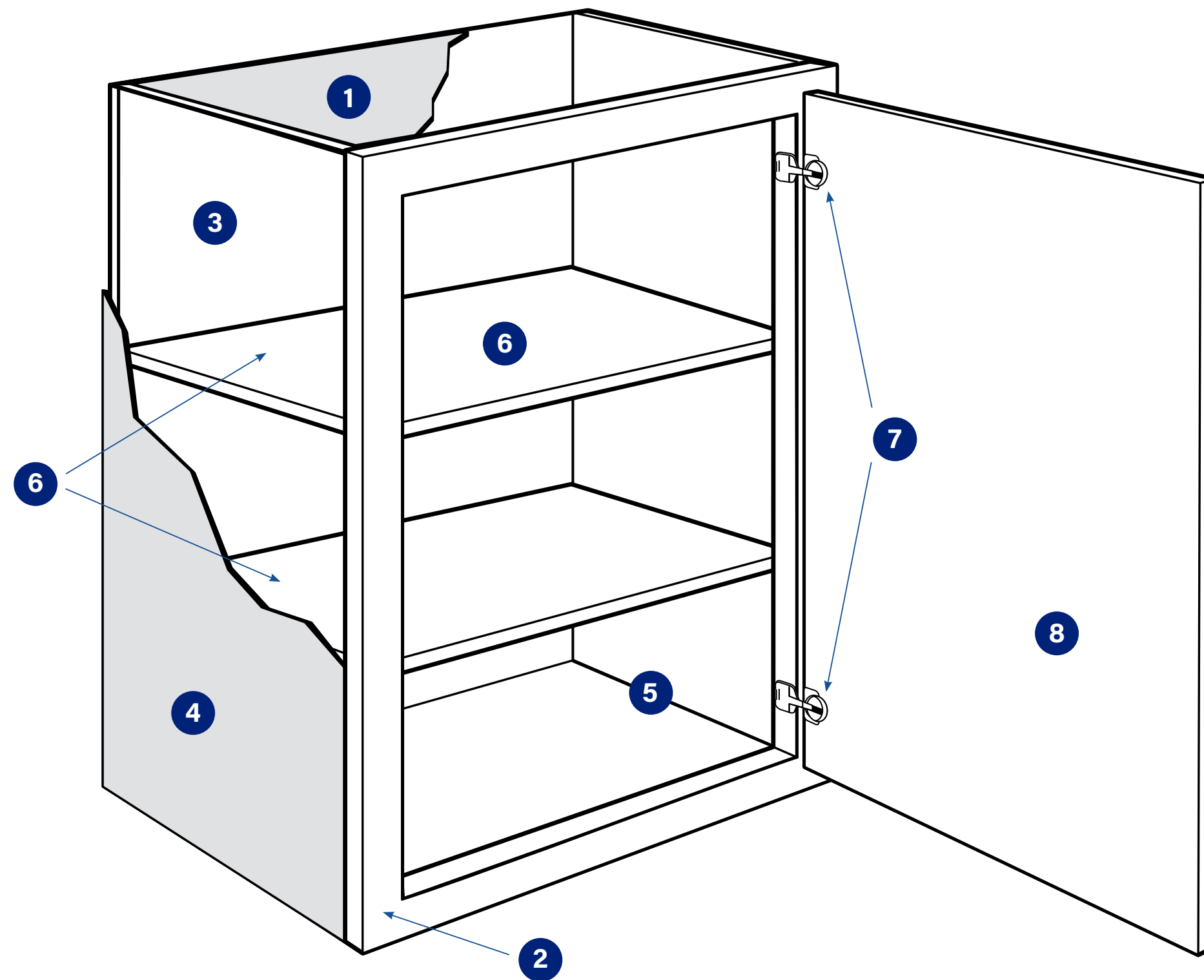
PARTIAL OVERLAY DIMENSIONS

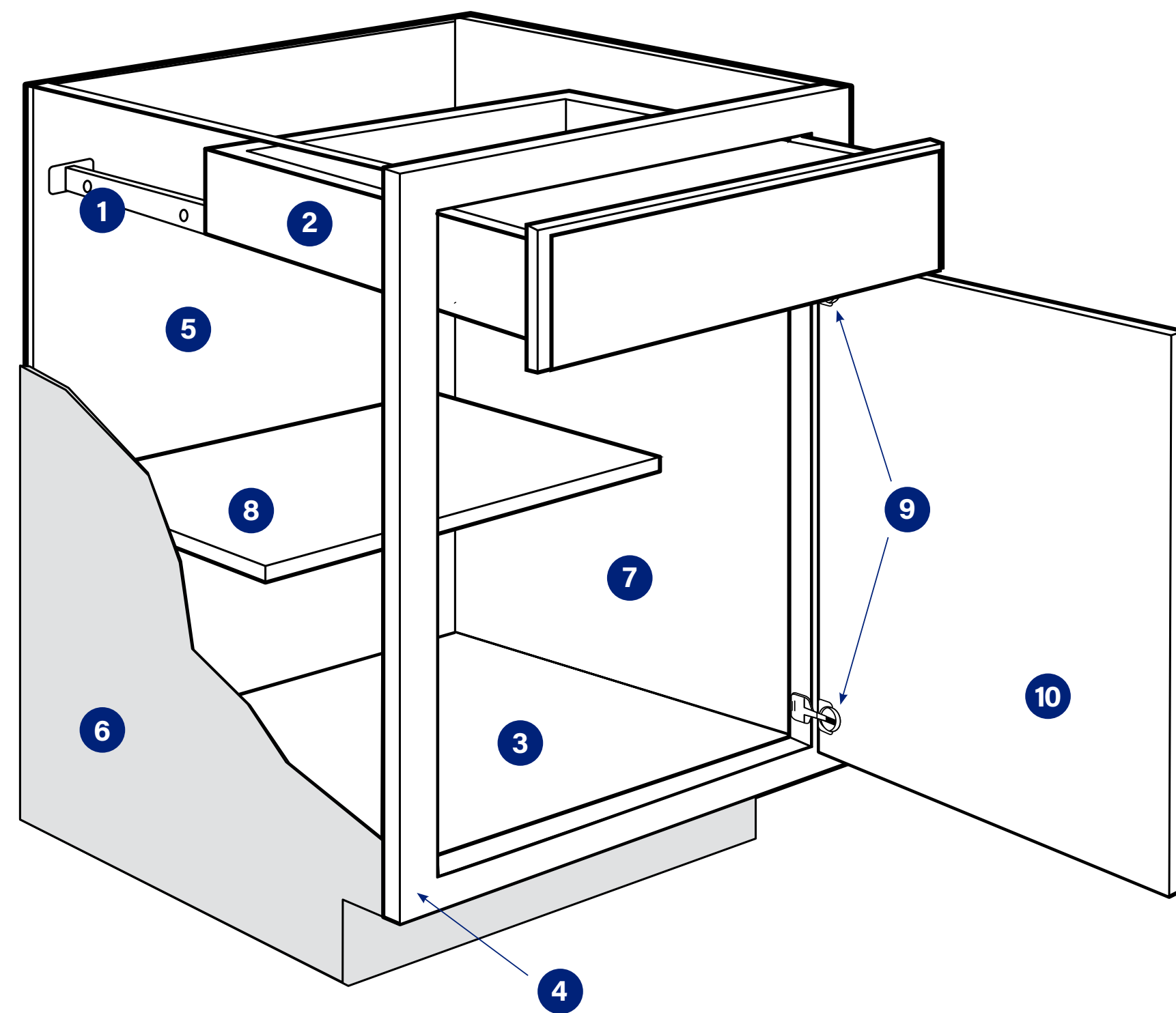
Partial Overlay (POL) doors are sized to show about an inch of the cabinet face frame, giving the door some visual depth. A Partial Overlay door style does not require decorative hardware.



WALL CABINETS

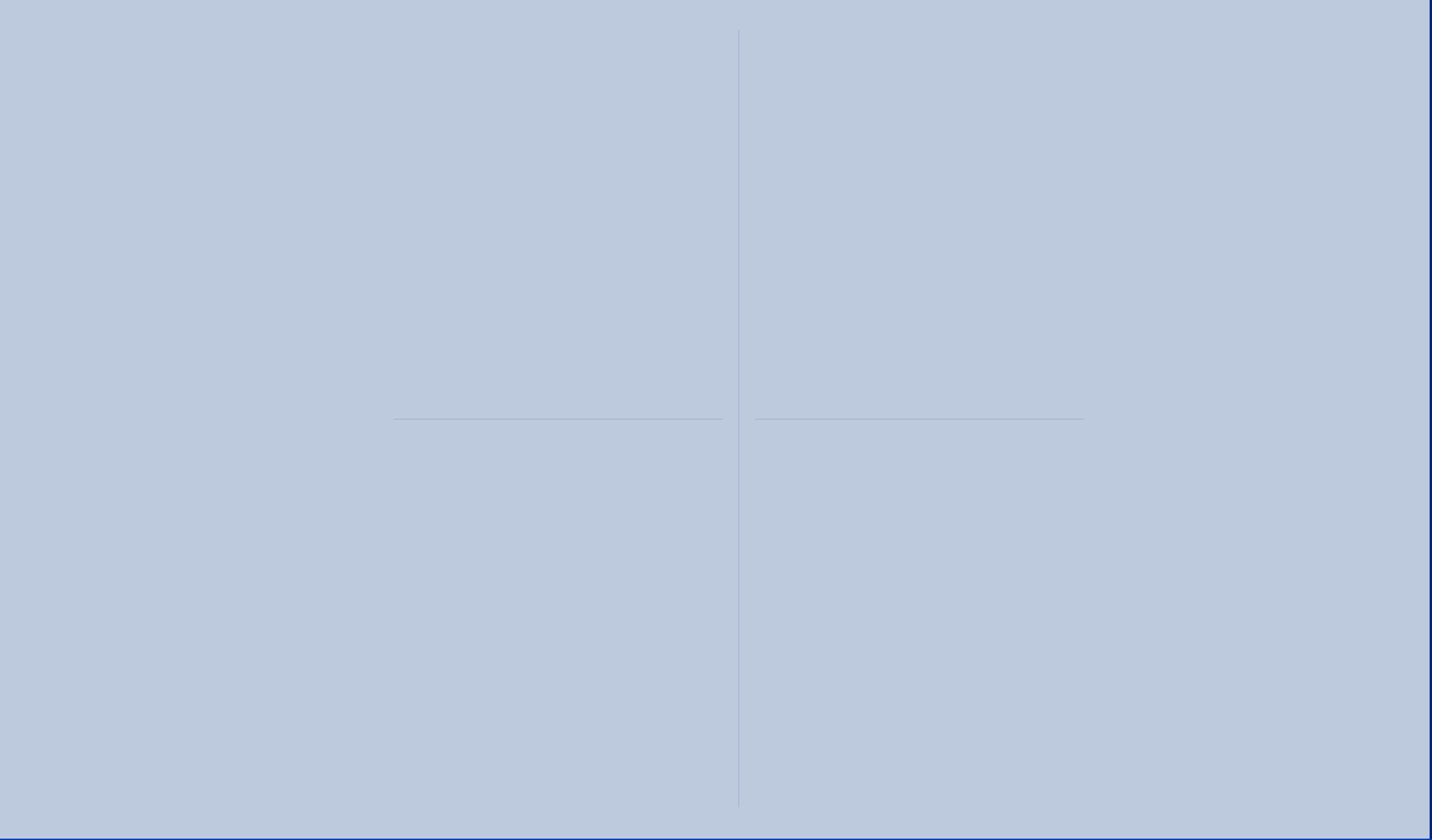
- 1 Top/Bottom Panels: ½" plywood
- 2 Face Frame: 1 ⅝" wide hardwood
- 3 Back Panel: ⅛" plywood
- 4 End Panels: ½" plywood exterior to match cabinet finish
- 5 Interiors: Finished with a natural woodgrain look
- 6 Adjustable Shelves: ¾" plywood
- 7 Hinges: 6-way adjustable CushionClose
- 8 Door: Reversible door on single-door cabinets for left or right or cabinets are butt doors with no center stile



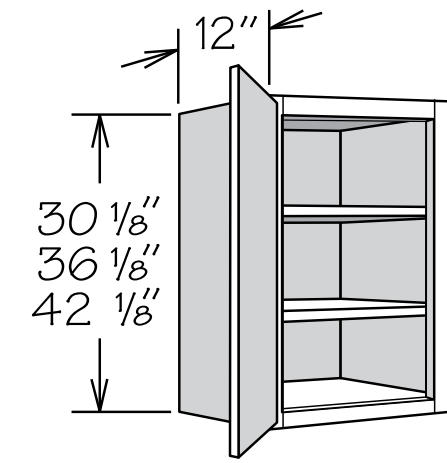


BASE CABINETS

- 1 Drawer Glides: Full-access undermount CushionClose
- 2 Drawer Box: $\frac{5}{8}$ " hardwood dovetail box with fully encapsulated bottom
- 3 Bottom Panels: $\frac{1}{2}$ " plywood
- 4 Face Frame: $1\frac{5}{8}$ " wide hardwood
- 5 Back Panel: $\frac{1}{8}$ " plywood
- 6 End Panels: $\frac{1}{2}$ " plywood exterior to match cabinet finish
- 7 Interiors: Finished with a natural woodgrain look
- 8 Half-Depth Adjustable Shelf: $\frac{3}{4}$ " plywood
- 9 Hinges: 6-way adjustable CushionClose
- 10 Door: Reversible door on single-door cabinets for left or right opening; hinged on the left from the factory; double-door cabinets are butt doors with no center stile



Wall Cabinet - 1 Door



• Hinged left, field reversible

30" High - 2 Shelves

W930
W1230
W1530
W1830
W2130

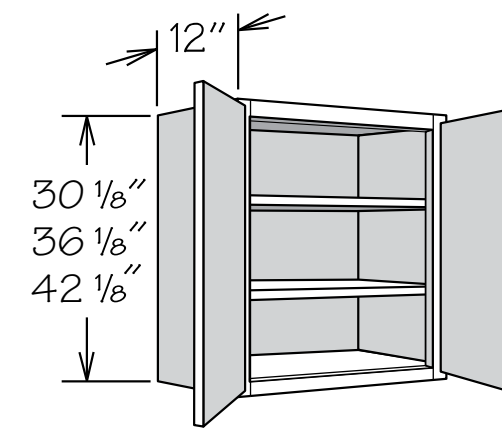
36" High - 2 Shelves

W936
W1236
W1536
W1836
W2136

42" High - 3 Shelves

W942
W1242
W1542
W1842
W2142

Wall Cabinet - 2 Butt Doors



30" High - 2 Shelves

W2430 BUTT
W2730 BUTT
W3030 BUTT
W3330 BUTT
W3630 BUTT

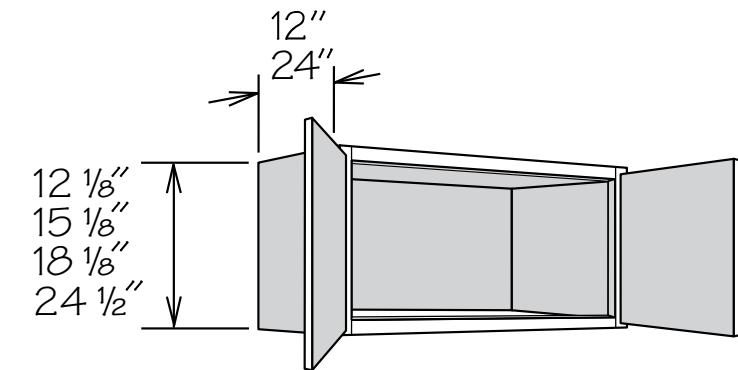
36" High - 2 Shelves

W2436 BUTT
W2736 BUTT
W3036 BUTT
W3336 BUTT
W3636 BUTT

42" High - 3 Shelves

W2442 BUTT
W2742 BUTT
W3042 BUTT
W3342 BUTT
W3642 BUTT

Refrigerator Wall Cabinet - 2 Butt Doors



- 24" deep cabinets must be installed by:
 - » Securely attaching to studs in back wall and both sides or to studs in back wall, one side and top (e.g. two adjacent cabinets or one adjacent cabinet and a wall)

12" Deep

12" High - No Shelf

W3012 BUTT
W3612 BUTT

15" High - No Shelf

W3015 BUTT
W3615 BUTT

18" High - 1 Shelf

W3018 BUTT
W3618 BUTT

24" High - 1 Shelf

W3024 BUTT
W3624 BUTT

24" Deep

12" High - No Shelf

W3612 X 24DP BUTT

15" High - No Shelf

W3615 X 24DP BUTT

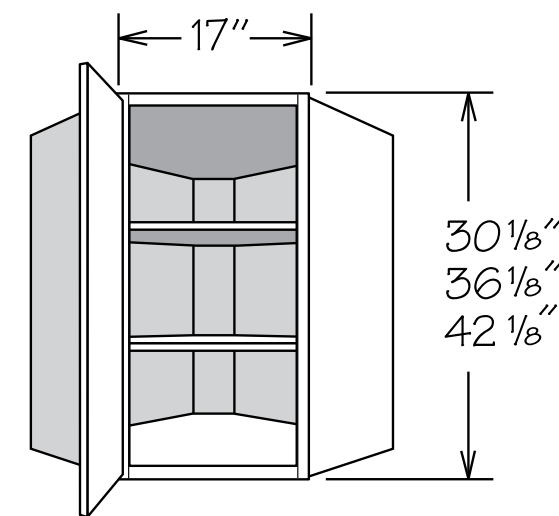
18" High - 1 Shelf

W3618 X 24DP BUTT

24" High - 1 Shelf

W3624 X 24DP BUTT

Corner Wall Cabinet



- Installs in a 24" x 24" wall area
- Hinged left, field reversible

30" High - 2 Shelves

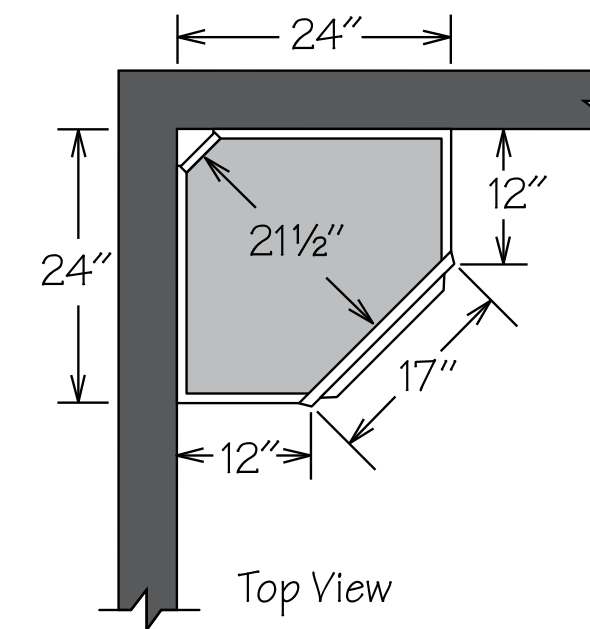
CW2430

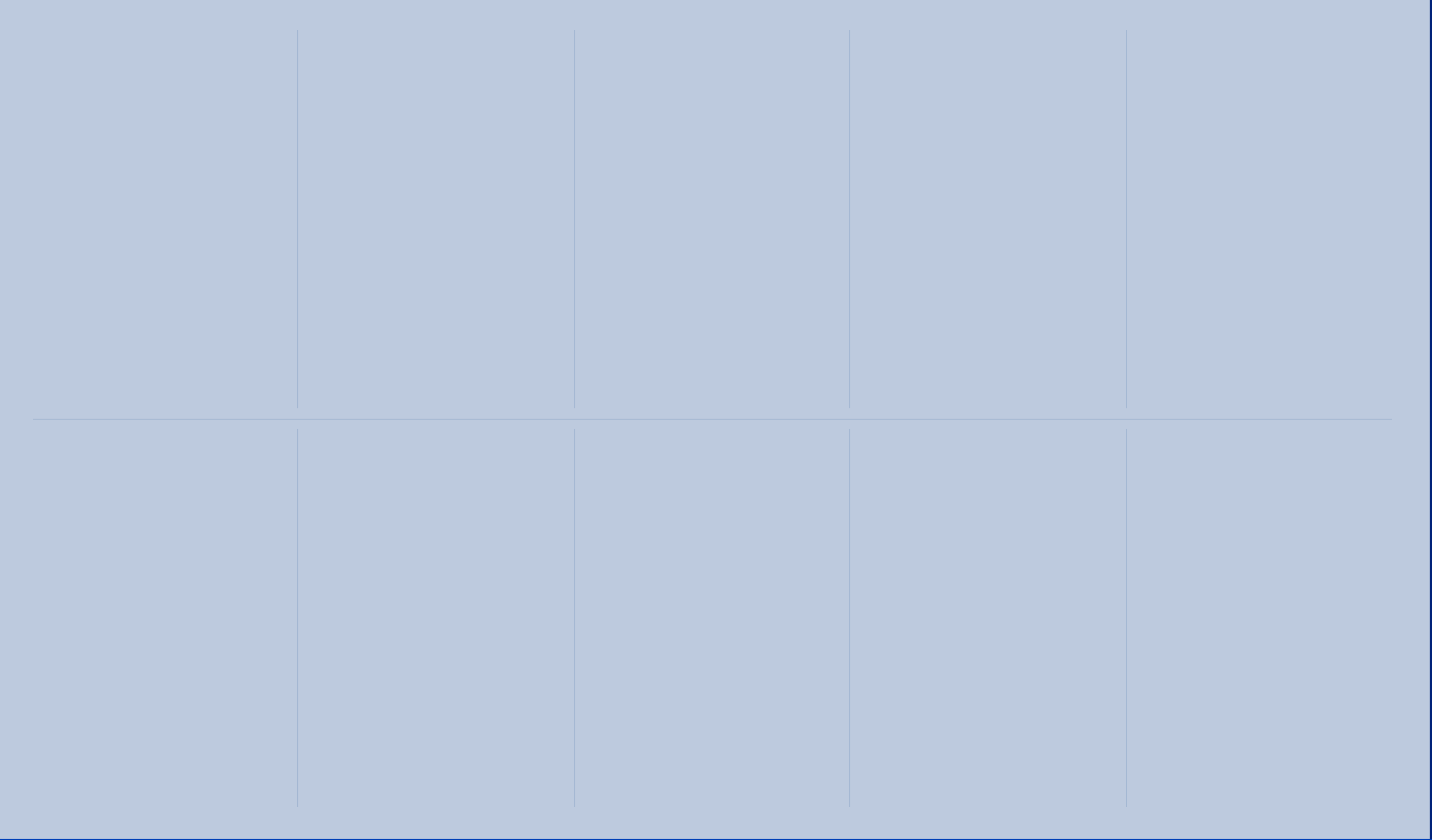
36" High - 2 Shelves

CW2436

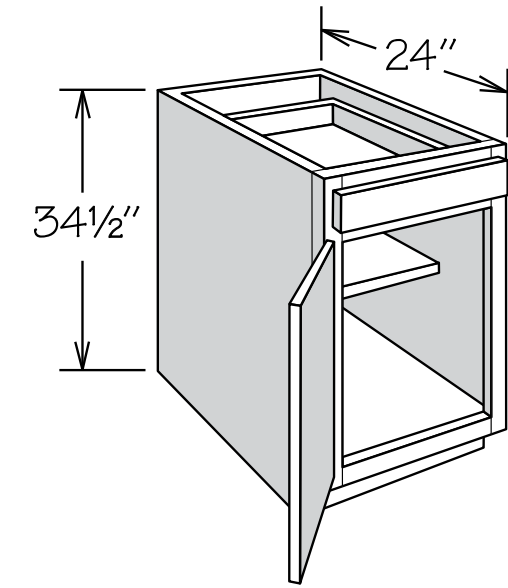
42" High - 3 Shelves

CW2442





Base • 1 Door and 1 Drawer

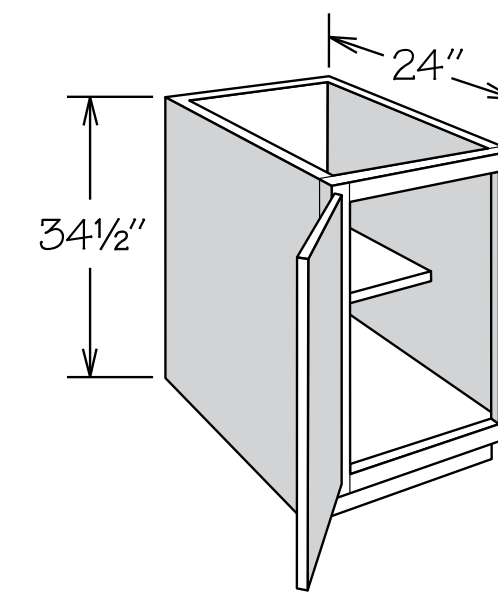


- Half-depth adjustable shelf included
- Hinged left, field reversible

34 1/2" High • 1 Shelf

B12
B15
B18
B21

Full-Height Base Cabinet • 1 Door



- Half-depth adjustable shelf included (excluding TB9)
- Hinged left, field reversible

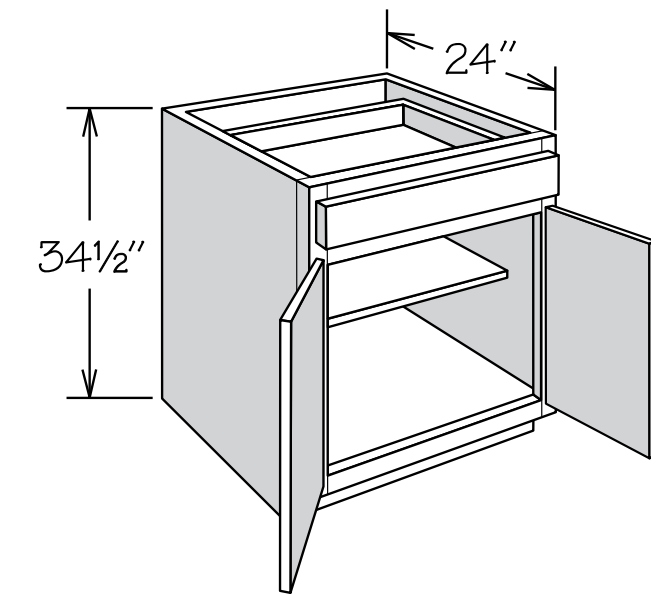
34 1/2" High • No Shelf

TB9

34 1/2" High • 1 Shelf

B12 FH
B15 FH
B18 FH
B21 FH

Base • 2 Butt Doors and 1 Drawer

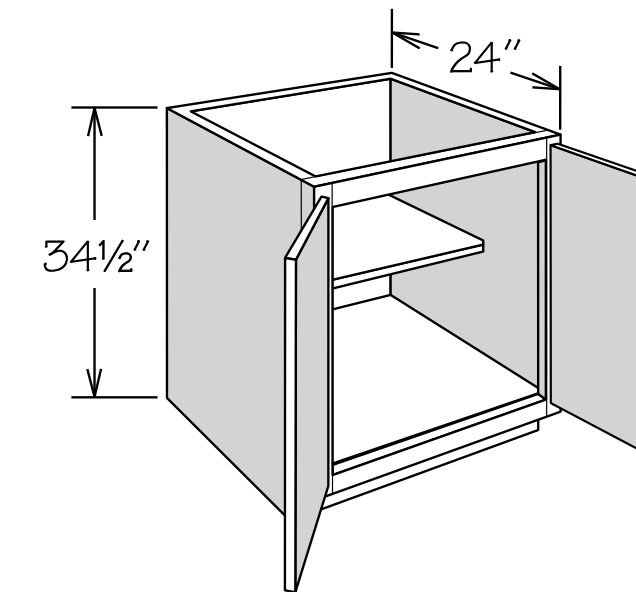


- Half-depth adjustable shelf included

34 1/2" High • 1 Shelf

B24 BUTT
B27 BUTT
B30 BUTT
B33 BUTT
B36 1TD BUTT

Full-Height Base Cabinets • 2 Butt Doors

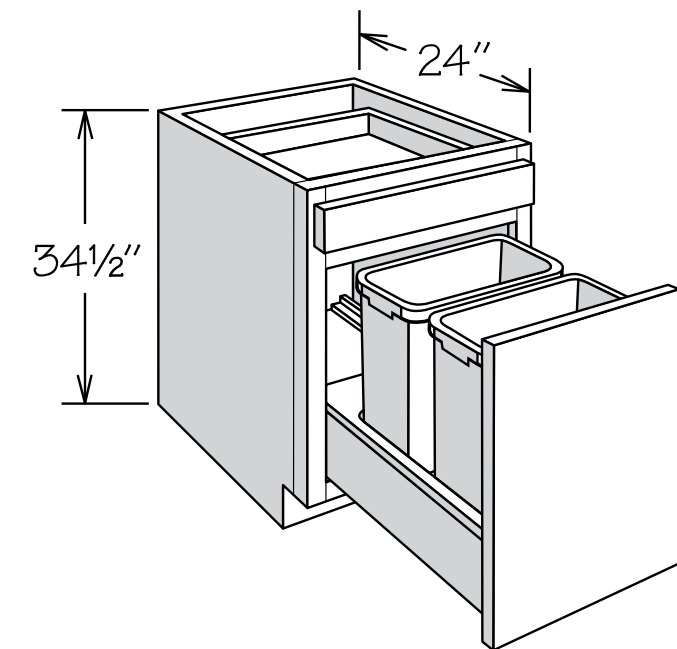


- Half-depth adjustable shelf included

34 1/2" High

B24 BUTT FH
B30 BUTT FH
B36 BUTT FH

Base Wastebasket • 1 Door, 1 Drawer with Wastebasket Pull-Out

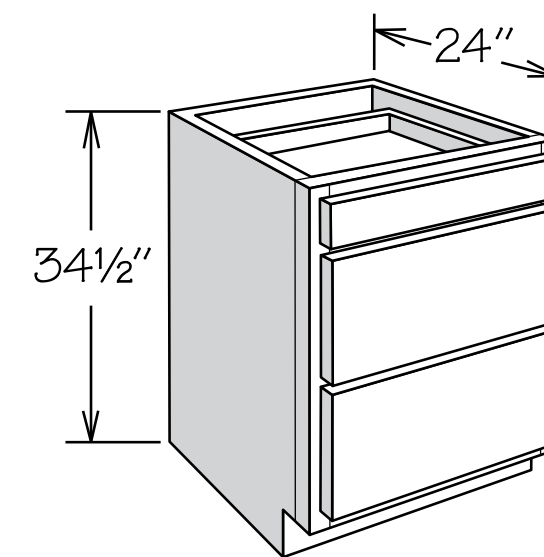


- Includes two 35-quart waste baskets

34 1/2" High

BWBB18-2

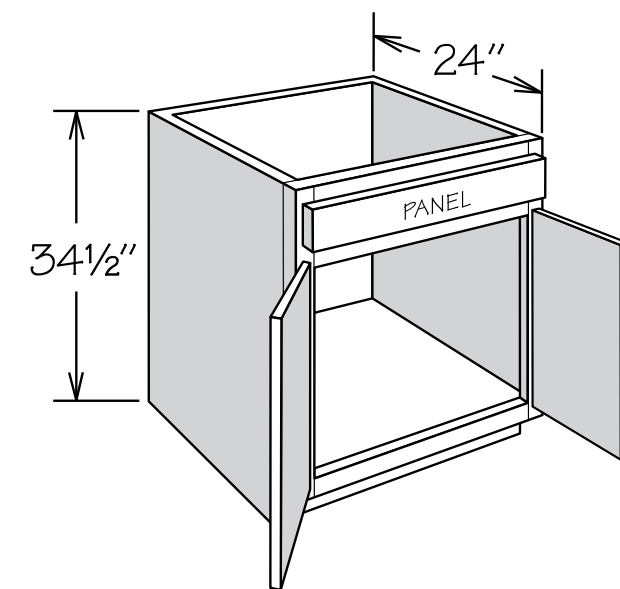
Drawer Base Cabinet • 3 Drawers



34 1/2" High

DB15
DB18
DB21
DB24
DB30
DB36 1TD

Sink/Cooktop Base • 2 Butt Doors

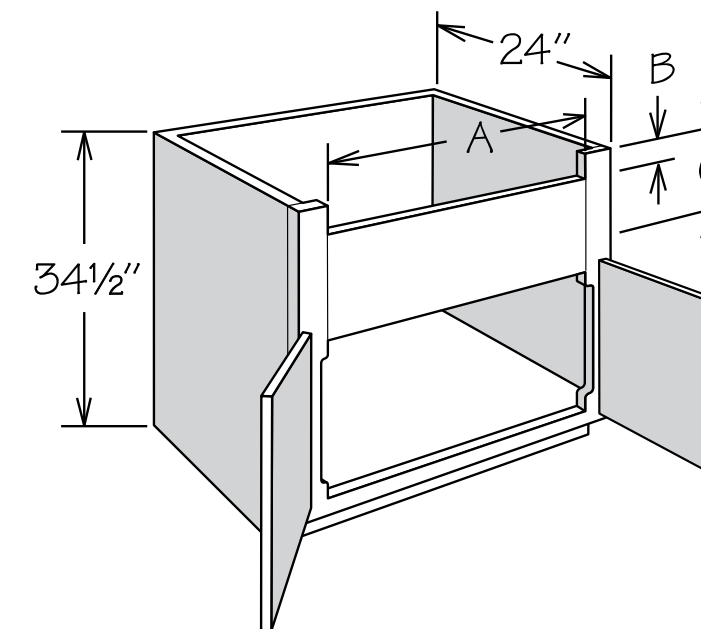


- Full-height back panel
- No shelf
- Subtract 1 1/2" from width and 1 1/8" from depth for available sink bowl opening
- Refer to sink/cooktop manufacturer's specifications for adequate clearance and required installation materials
- Touch-up kit included

34 1/2" High • No Shelf

SB30 BUTT
SB33 BUTT
SB36 BUTT

Deep Sink/Range Base • 2 Butt Doors



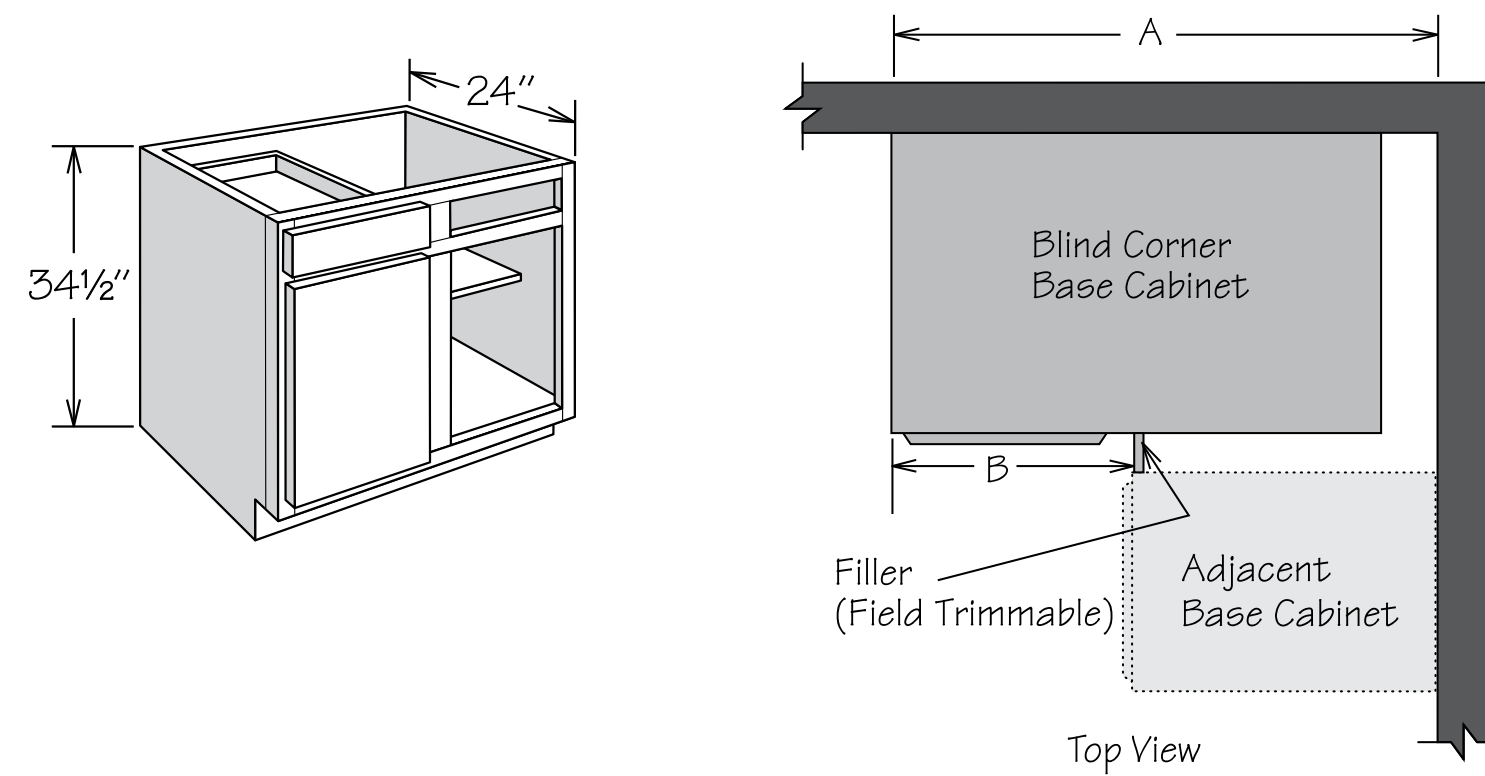
A MIN.	A MAX.	B	C FOL	C POL
29 3/4"	34"	2 7/8"	10"	10 1/2"

- 3 7/8" stiles and 9 1/4" rails are trimmable to accommodate various size apron-front sinks and cooktops
- No shelf
- Refer to sink/cooktop manufacturer's specifications for adequate clearance and required installation materials
- Touch-up kit included

34 1/2" High • No Shelf

DSB36 BUTT

Blind Corner Base • 1 Door and 1 Drawer



*Decorative Hardware is required and has been calculated into dimensions

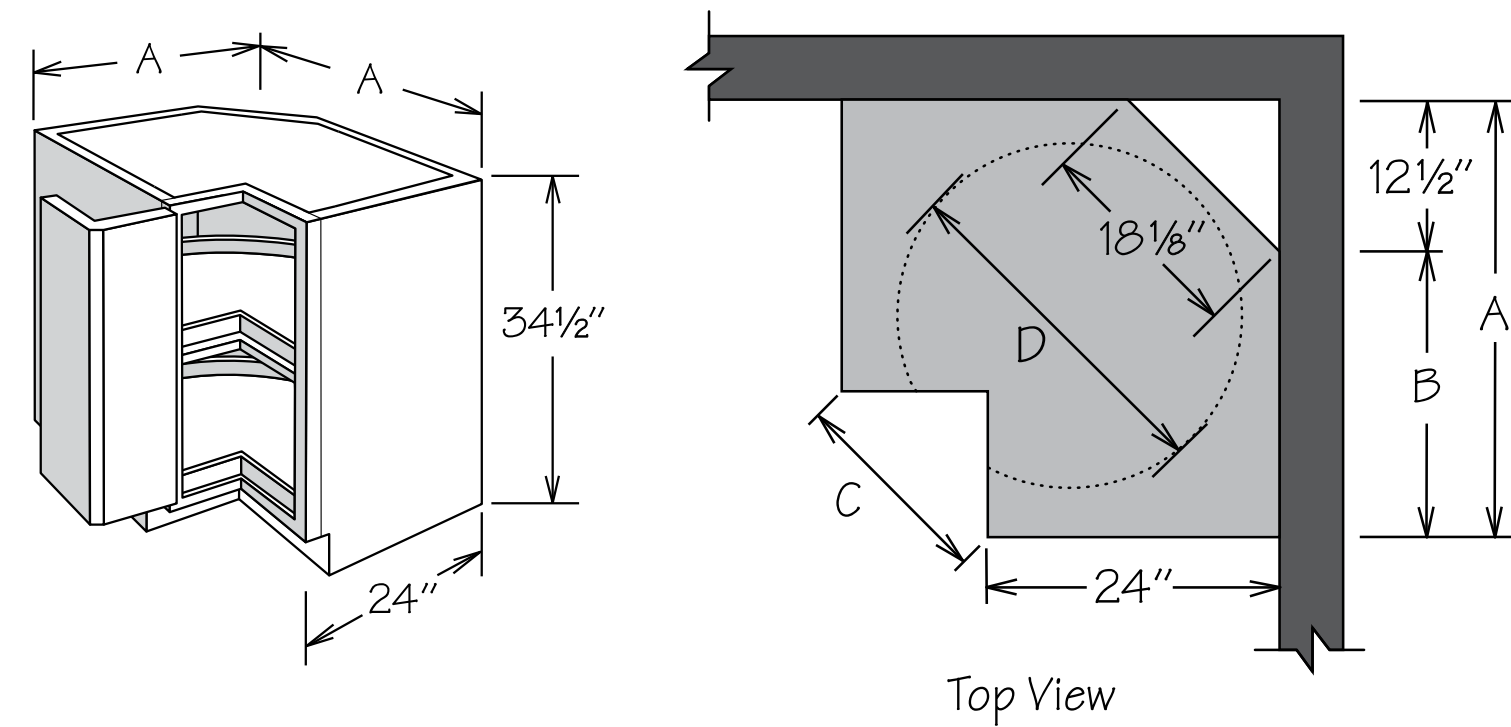
CABINET	ACTUAL CABINET WIDTH	DOOR OPENING	DOOR	WALL SPACE A					EXPOSED FRAME B		
				FOL MIN. SPACE*	POL MIN. SPACE	FOL MAX. PULL	POL MAX. PULL	MAX. SPACE	FOL MIN. SPACE*	POL MIN. SPACE*	MAX. SPACE
BLB36/39	27"	8 3/4"	DR1224	38 1/4"	37 3/8"	1 3/4"	2 5/8"	40"	14 1/4"	13 3/8"	16"
BLB39/42	33"	11 3/4"	DR1524	41 1/4"	40 3/8"	1 3/4"	2 5/8"	43"	17 1/4"	16 3/8"	19"
BLB42/45	39"	14 3/4"	DR1824	44 1/4"	43 3/8"	1 3/4"	2 5/8"	46"	20 1/4"	19 3/8"	22"
BLB45/48	45"	17 3/4"	DR2124	47 1/4"	46 3/8"	1 3/4"	2 5/8"	49"	23 1/4"	22 3/8"	25"

34 1/2" High • 1 Shelf

BLB36/39
BLB39/42
BLB42/45
BLB45/48

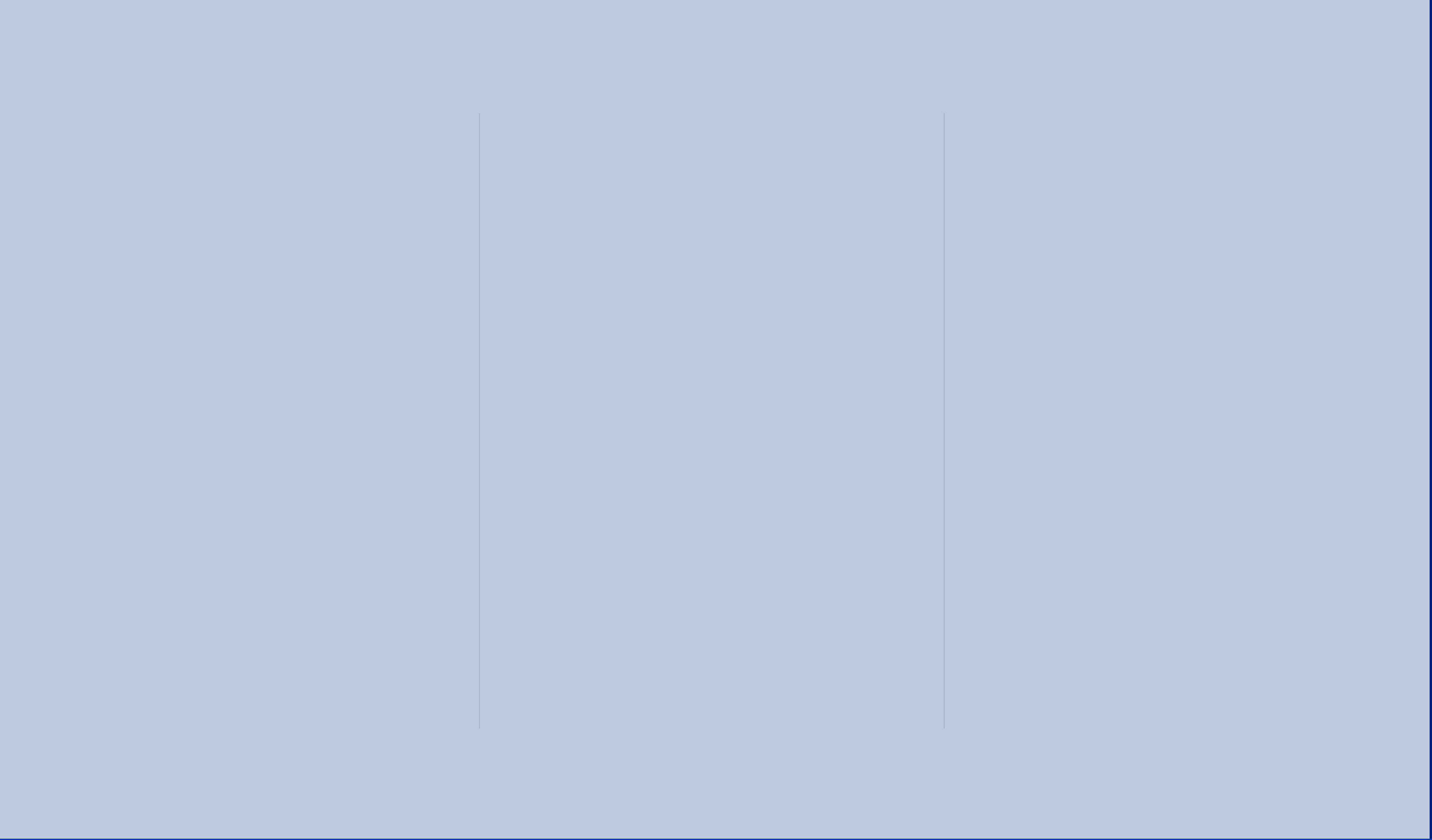
- Half-depth adjustable shelf included
- Blind base door and drawer are installed in the left section
- Door and drawer can be reversed in the field, as blind sections are identical
- Refer to the chart for specifications
- Must order filler separately

Base Super Susan - Wood Spin Unit

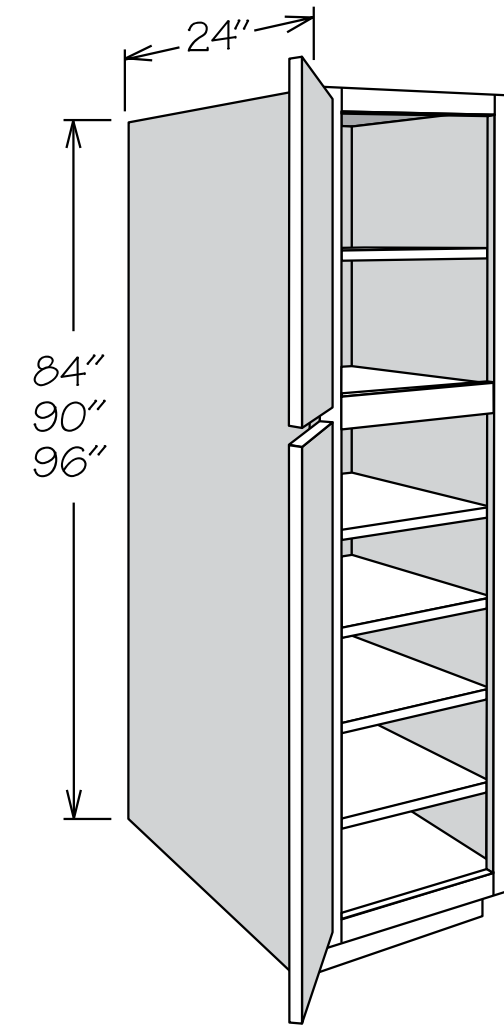


- Wood Spin Units feature:
 - » One fixed spin unit mounted on cabinet floor
 - » One spin unit attached to 3/4" adjustable shelf
 - » Natural wood finish with 1" lip
- Must be ordered hinged left or right
- Features non-CushionClose hinges
- Doors open 170 degrees
- Cabinet requires a minimum of 29" to fit through doorway (removal of cabinet door recommended)
- Additional space recommended if appliance is installed on the hinge side of this cabinet for proper door operation - decorative hardware should be taken into consideration for the overall depth of appliance
- Stile width and outside profile of both doors at door-to-door hinge may vary from standard dimension and profile for proper door function

34 1/2" High	A	B	C	D
BSS36L WD	36"	23 1/2"	14 5/8"	32"
BSS36R WD	36"	23 1/2"	14 5/8"	32"



Utility Cabinet • 2 Doors



- 96" high has removable toe kick that is field installed
- Upper door lines up with 30", 36", and 42" high wall cabinets
- Shelves ship separately for field installation

84" High • 5 Shelves

UT1824 X 84 AS

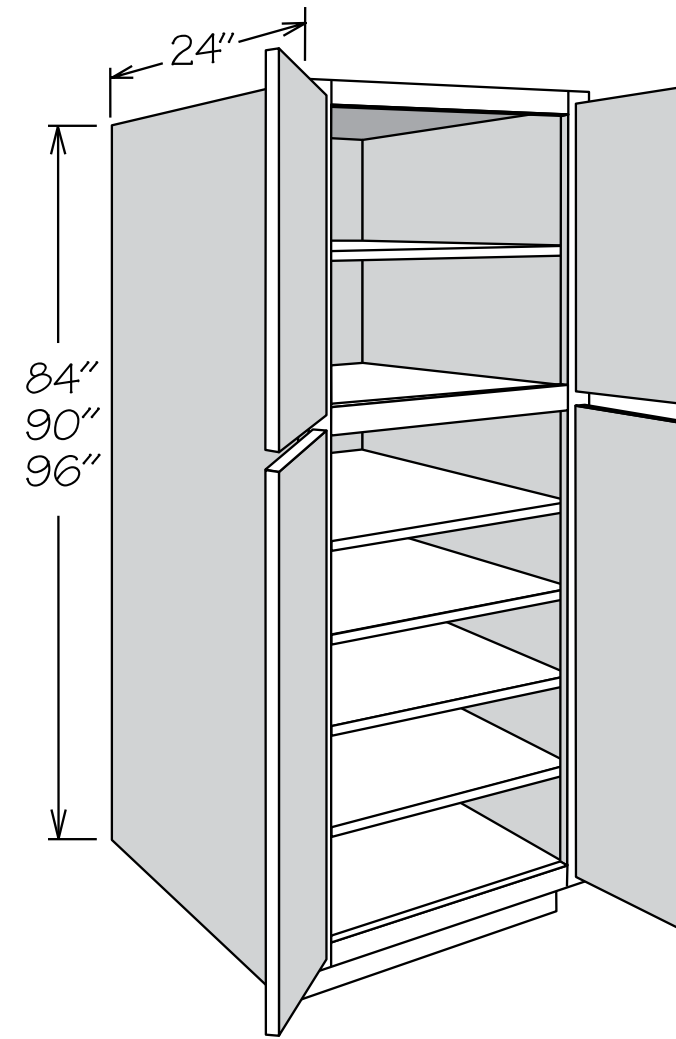
90" High • 6 Shelves

UT1824 X 90 AS

96" High • 7 Shelves

UT1824 X 96 AS

Utility Cabinet • 4 Butt Doors



- 96" high has removable toe kick that is field installed
- Upper door lines up with 30", 36", and 42" high wall cabinets
- Shelves ship separately for field installation

84" High • 5 Shelves

UT2424 X 84 AS BUTT

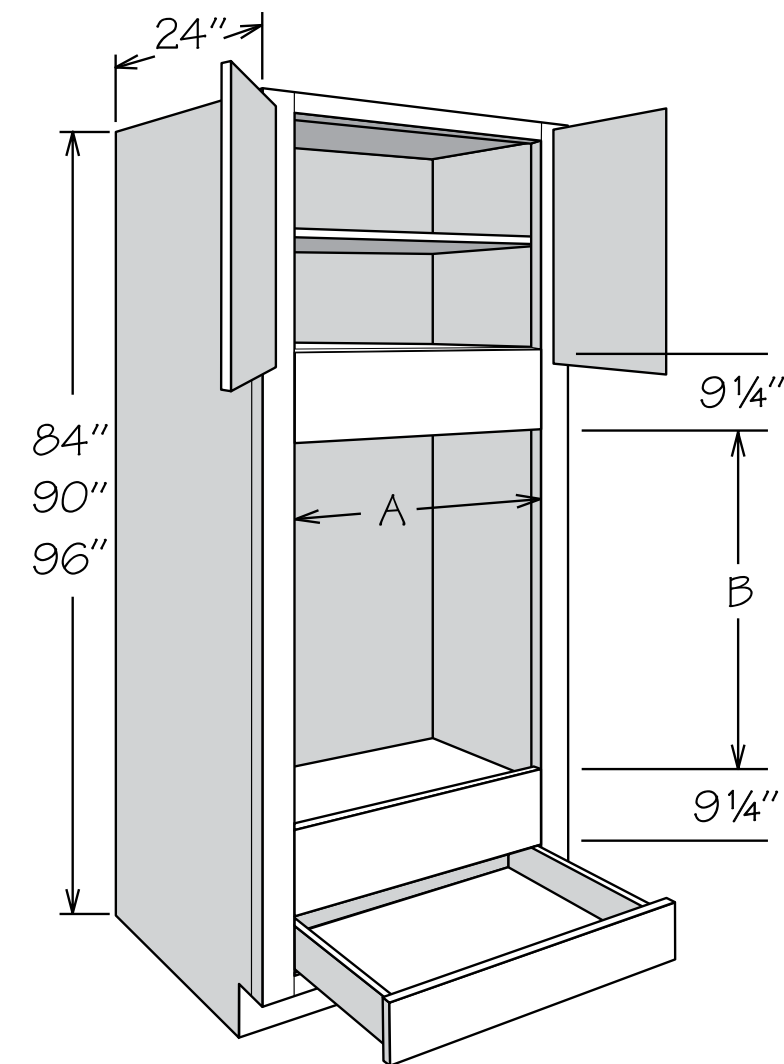
90" High • 6 Shelves

UT2424 X 90 AS BUTT

96" High • 7 Shelves

UT2424 X 96 AS BUTT

Double Oven Cabinet • 2 Butt Doors and 1 Drawer



- 3 1/8" stiles and 9 1/4" rails around oven opening are trimmable
- Refer to appliance manufacturer's specifications for adequate clearances and required installation materials

84" High • No Shelf

OVD3384 BUTT

90" High • 1 Shelf

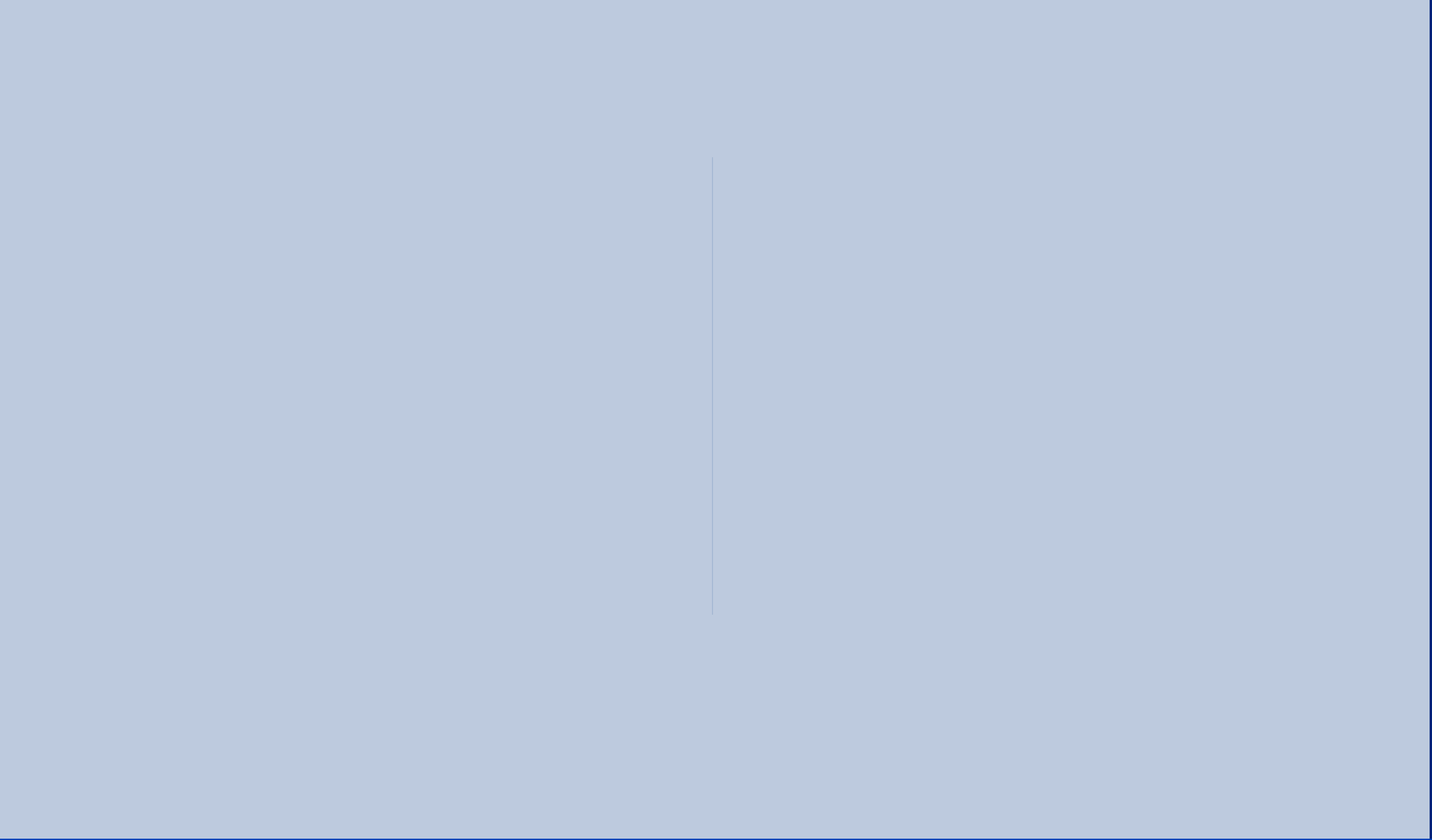
OVD3390 AS BUTT

96" High • 2 Shelves

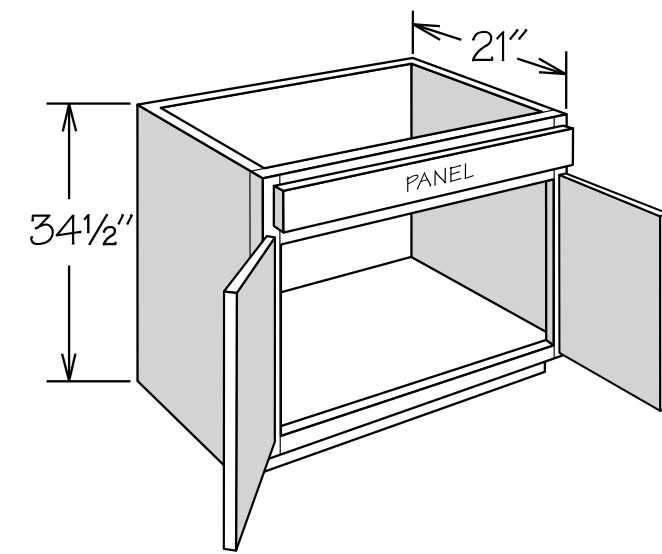
OVD3396 AS BUTT

CABINET	A MIN.	A MAX.	B MIN.	B MAX.	B MAX. (Drawer Removed*)
OVD3384 BUTT	26 3/4"	31"	39"	54 1/4"	60 1/4"
OVD3390 AS BUTT	26 3/4"	31"	38 5/8"	53 7/8"	59 7/8"
OVD3396 AS BUTT	26 3/4"	31"	39"	54 1/4"	60 1/4"

*Maximum height includes removing drawer unit and frame horizontal



Vanity Sink Base • 2 Butt Doors and 1 Drawer Panel

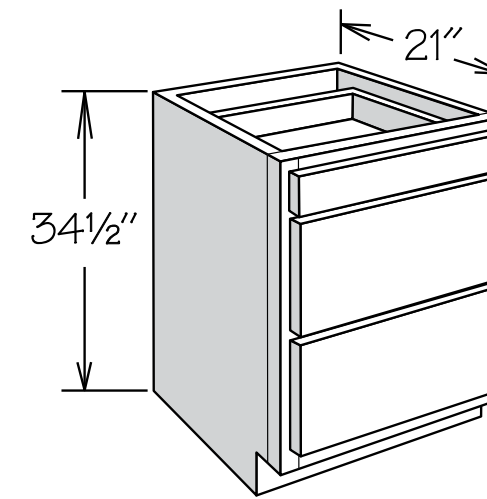


- Subtract 1 1/2" from width and 1 1/8" from depth for available sink bowl opening
- Refer to sink manufacturer's specifications for adequate clearance and required installation materials

34 1/2" High • No Shelf

VSB2434H BUTT
VSB3034H BUTT
VSB3634H BUTT

Vanity Drawer Base • 3 Drawers



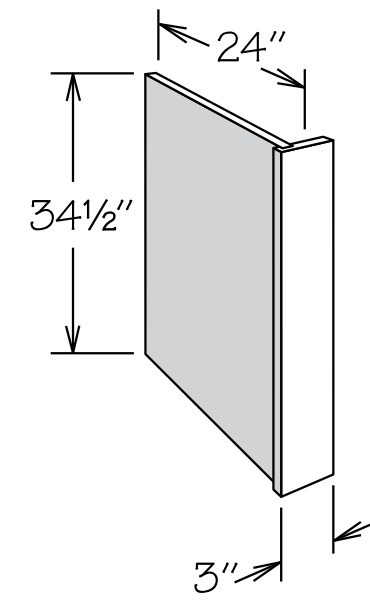
34 1/2" High

VDB1234H
VDB1534H
VDB1834H





Dishwasher Return

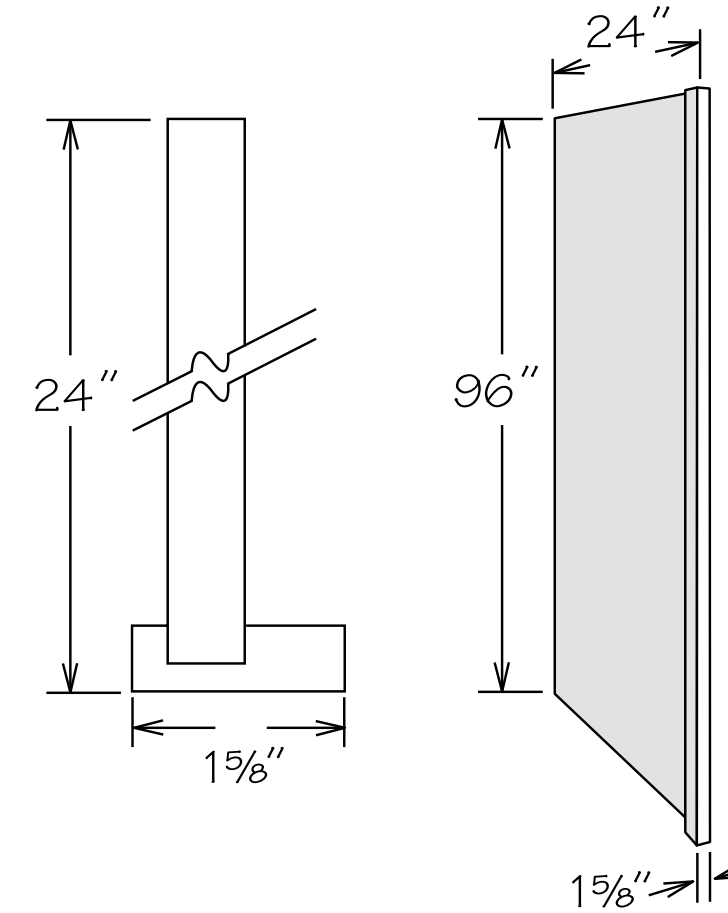


- Reversible for left or right installation
- Solid wood front
- 1/2" engineered wood with outside finished to match and inside with a natural woodgrain look
- Front filler can be trimmed to a minimum of 1" wide
- Can be notched for toe kick in the field
- Wall attachment block included

34 1/2" High

DWR3

Refrigerator Return - 1/2" Panel

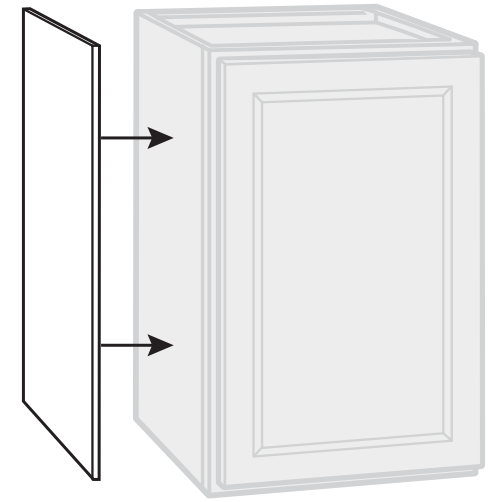


- Reversible for left or right installation
- Solid wood front
- 1/2" engineered wood with outside finished to match and inside with a natural woodgrain look
- Front filler can be trimmed to a minimum of 1" wide
- Field trimmable in height, can be notched for toe kick

96" High

RR96

End Panel



- Exterior finished to match
- Wall panels are 11¼" deep x 42 1/8" high x 3/64" thick
- Base panels are 23 1/4" deep x 34 1/2" high x 3/64" thick
- Tall panels are 23 1/4" deep x 96" high and 3/64" thick
- Finished panels are 96" wide x 34 1/2" high x 3/64" thick

Wall Panel

WEP42

Base Panel

BEP34

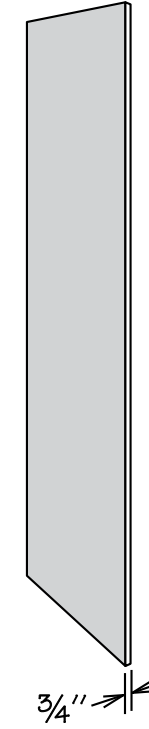
Finished Panel

FP9634

Tall Panel

TEP96

Wood Tall Panel



- Features 1/2" engineered wood
- Both sides finished to match
- Wood tall panels are 24" wide x 96" high x 3/4" thick
- Deep wood tall panels are 32" wide x 96" high x 3/4" thick

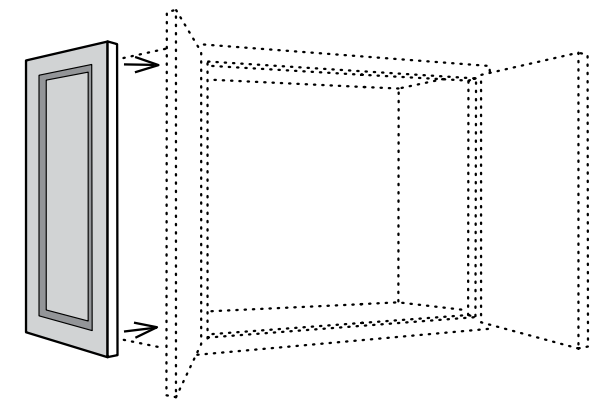
Deep Wood Tall Panel

DWTEP96

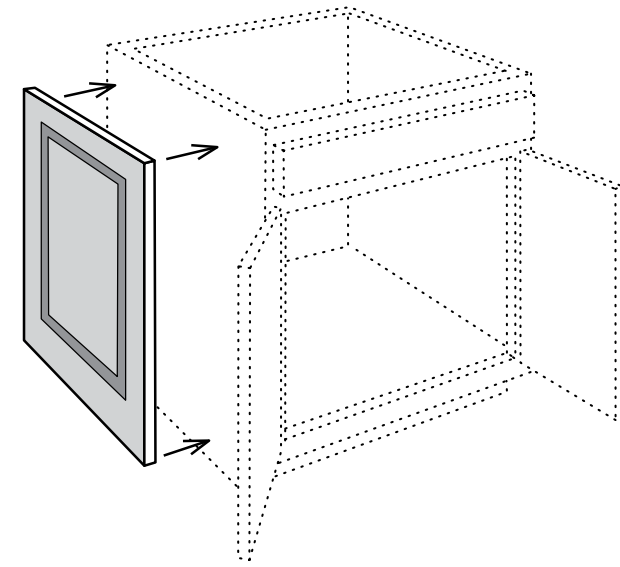
Wood Tall Panel

WTEP96

Decorator Matching Doors



WALL



BASE

- Panel is recommended for installation
- Attaches to side of cabinet
- Matches style and finish of cabinet doors
- Panel thickness is 3/4"
- Refer to Parts Directory for dimensions
- Not drilled for hinges

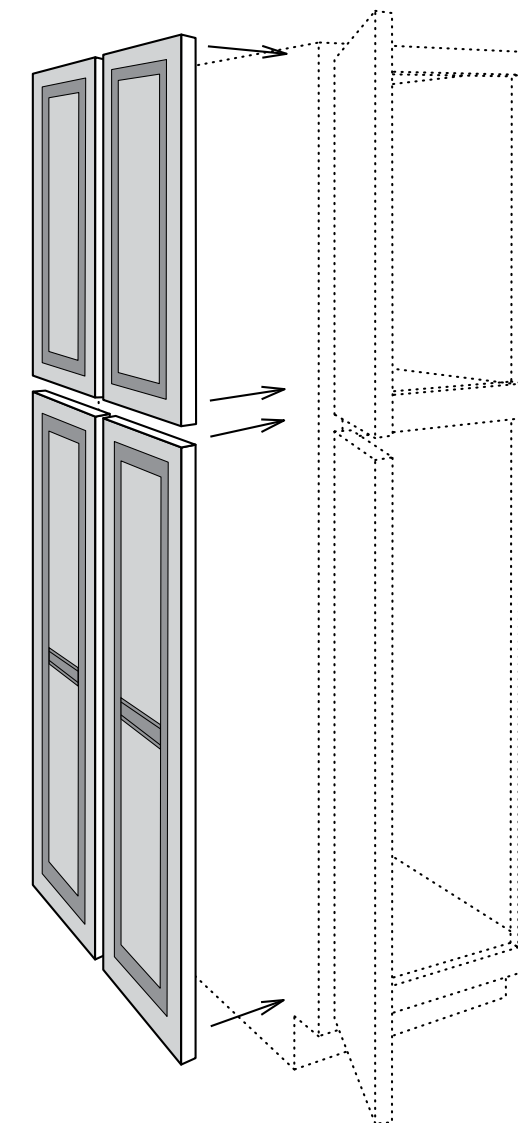
Wall

DMDW18
DMDW24
DMDW30
DMDW36
DMDW42

Base

DMDB

Decorator Matching Doors • Tall



TALL

- Panel is recommended for installation
- Attaches to side of cabinet
- Matches style and finish of cabinet doors
- Panel thickness is 3/4"
- Refer to Parts Directory for dimensions
- Not drilled for hinges

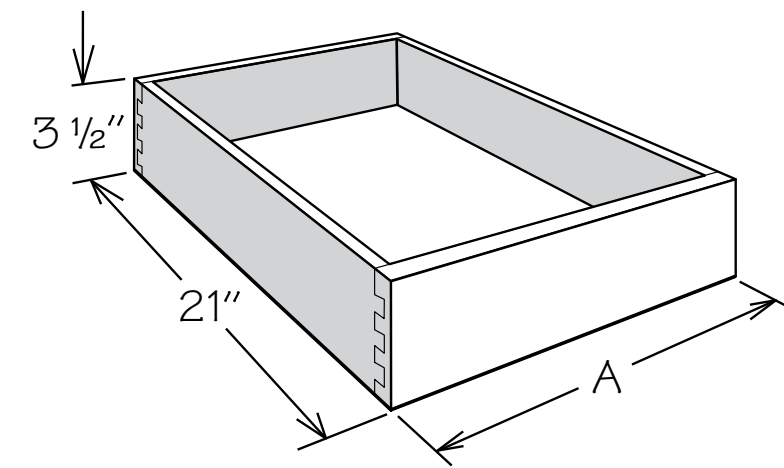
12" Deep

DMDT8412
DMDT9012
DMDT9312
DMDT9612

24" Deep

DMDT8424
DMDT9024
DMDT9324
DMDT9624

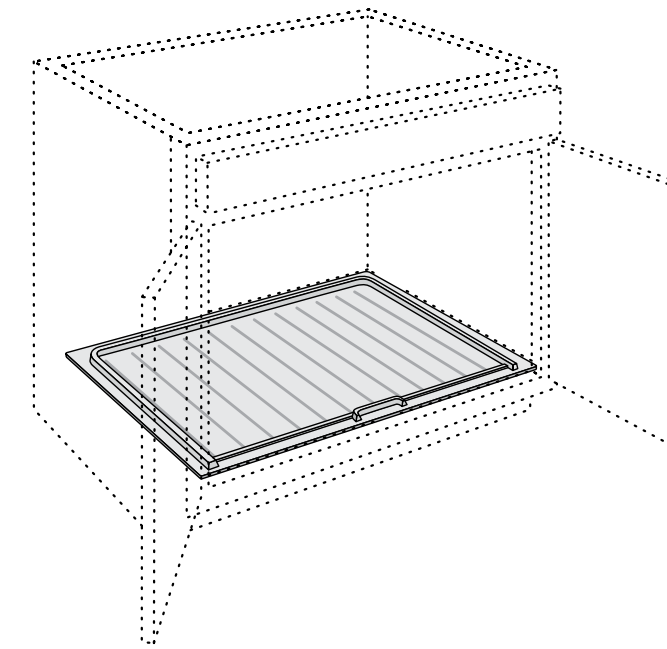
Roll Out Tray Kit



- Field installed accessory
- Kit includes roll out tray and all hardware
- Features full-access under-mount CushionClose drawer glides
- Glides ship unattached for field installation

	A
DROT15	10 ³ / ₄ "
DROT18	13 ³ / ₄ "
DROT21	16 ³ / ₄ "
DROT24	19 ³ / ₄ "
DROT27	22 ³ / ₄ "
DROT30	25 ³ / ₄ "
DROT33	28 ³ / ₄ "
DROT36	31 ³ / ₄ "

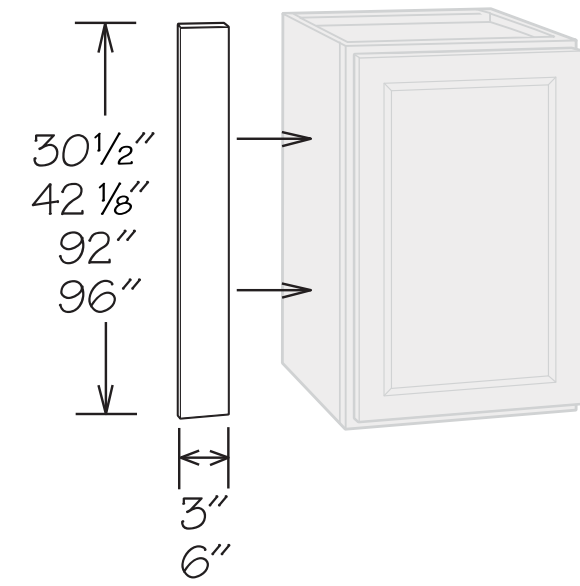
Sink Base Mat



- Field installation accessory
- Designed to funnel any leaks or spills out the front of the cabinet while protecting the cabinet floor
- Features flexible material in gray finish - easily trimmable
- Minor field trimming required for use in Deep Sink Base cabinets

SBMAT30
SBMAT33
SBMAT36

Wall & Base Fillers



- UF__ are 3/4" plywood and finished on front, both long edges and one short edge
- S3S__ are 3/4" plywood and finished on front and all four edges

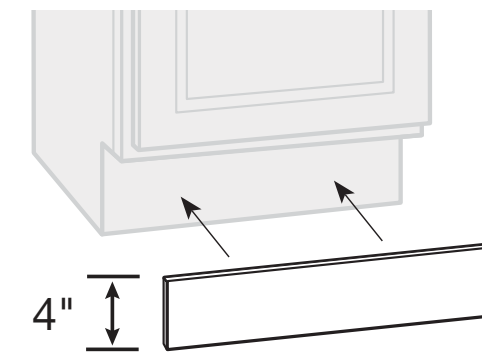
3" Filler

UF3
UF342
UF392
S3S396

6" Filler

UF6
UF642
UF692
S3S696

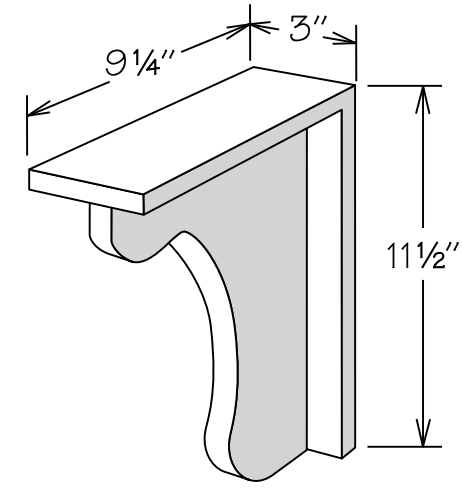
Toe Kick



- 94" long

BTK8

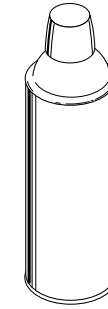
Curved Corbel



- For decorative use only

CS12

Spray Stain



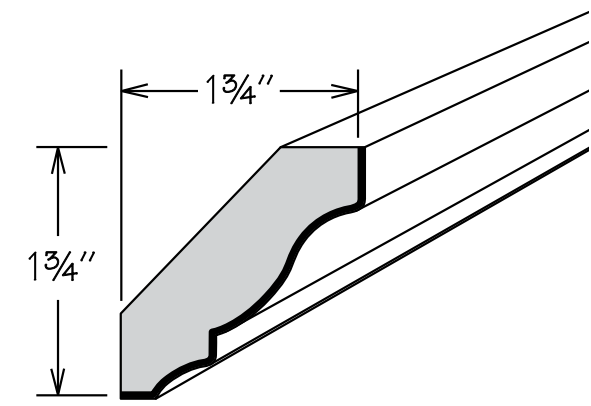
- SPRAY STAIN TINTED available for all finishes
- SPRAY STAIN CLEAR for use as top coat for all door styles
- Indicate species and finish when ordering
- 11 ounce aerosol spray can

SPRAY STAIN CLEAR
SPRAY STAIN TINTED

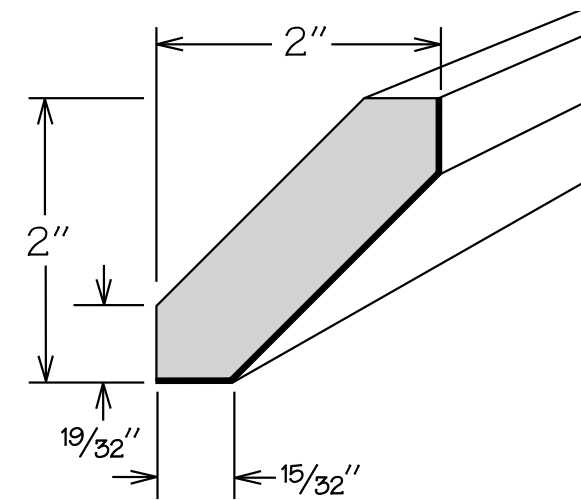




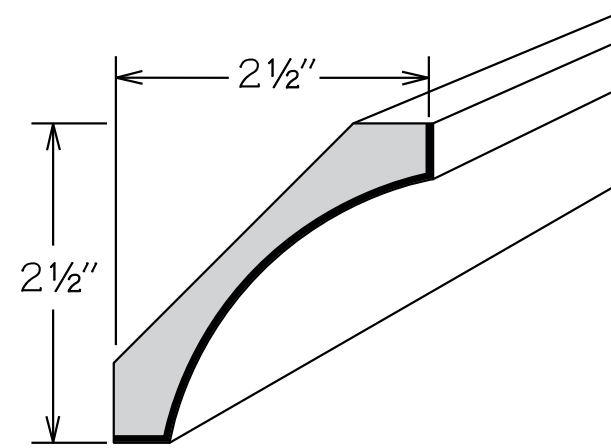
Crown Molding



TRADITIONAL CROWN



ANGLED CROWN



COVE CROWN

- 94" long
- Bold line in illustration indicates finished surfaces

Traditional Crown

CM8

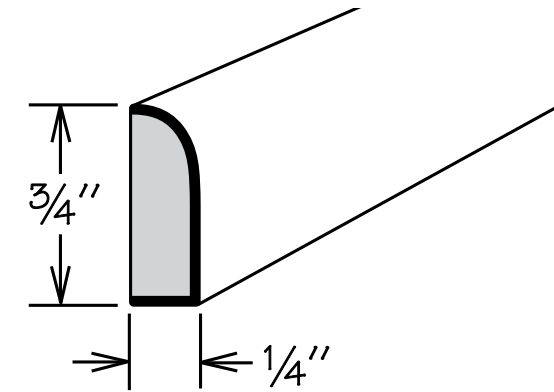
Angled Crown

ACM8

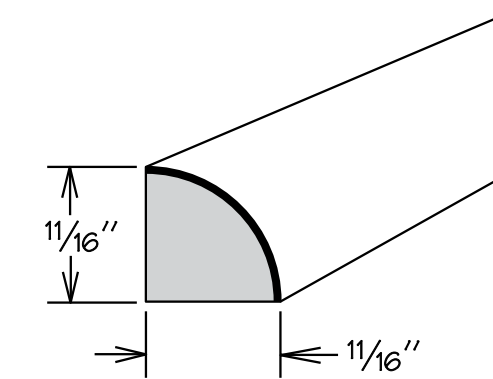
Cove Crown

SCVM8

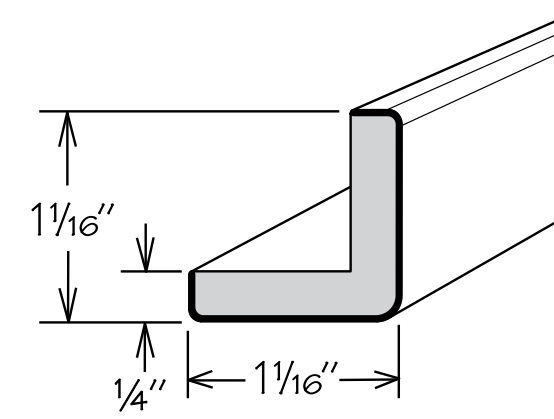
Trim Molding



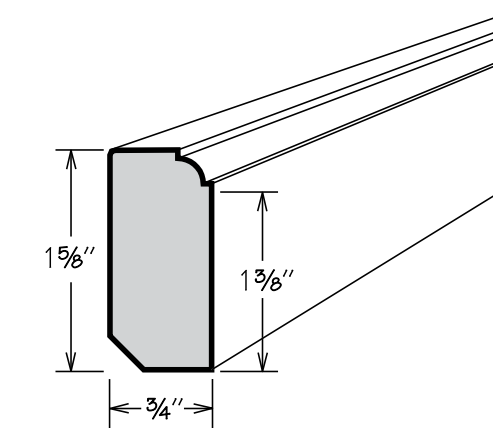
SCRIBE



QUARTER ROUND



OUTSIDE CORNER



DECORATIVE TRIM

- 94" long
- Bold line in illustration indicates finished surfaces

Scribe

SM8

Quarter Round

QR8

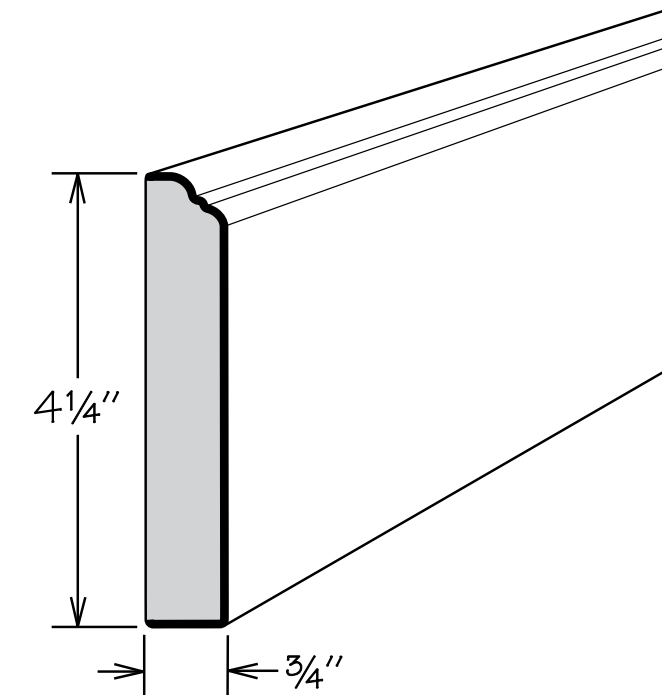
Outside Corner

OTCM8

Decorative Trim

DCTM8

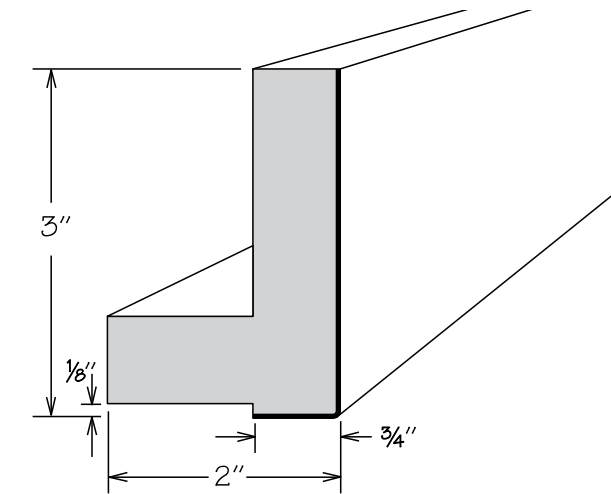
Ogee Pilaster Molding



- 94" long
- For use with furniture toe or top molding applications
- Bold line in illustration indicates finished surfaces

OGP8

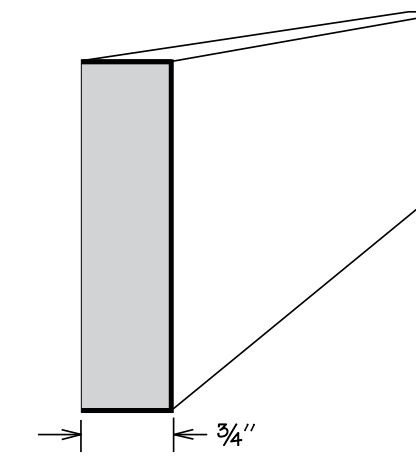
Starter Molding



- 94" long
- Bold line in illustration indicates finished surfaces

STRM8

Solid Stock



- 96" long
- May also be used in vertical applications (as a filler) or horizontal applications (as furniture toe)
- Bold line in illustration indicates finished surfaces

3" High

S3S396

6" High

S3S696

Classic
Tier 1



SATIN NICKEL
KNOB 3173SN



MODERN
BRUSHED GOLD
KNOB 3173MG



MATTE BLACK
KNOB 3173MB

T-Bar Pull
Tier 1



SATIN NICKEL
PULL 4701SN
3" Center • Overall Length: 5 5/16"



MODERN
BRUSHED GOLD
PULL 4701MG
3" Center • Overall Length: 5 5/16"



MATTE BLACK
PULL 4701MB
3" Center • Overall Length: 5 5/16"

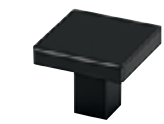
Tempo
Tier 2



SATIN NICKEL
KNOB 0322SN



MODERN
BRUSHED GOLD
KNOB 0322MG



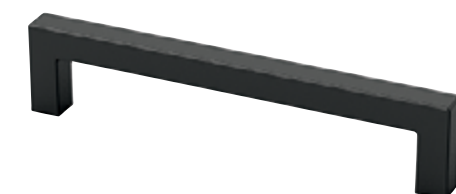
MATTE BLACK
KNOB 0322MB



SATIN NICKEL
PULL 0323SN
128mm Center • Overall Length: 5 7/16"



MODERN
BRUSHED GOLD
PULL 0323MG
128mm Center • Overall Length: 5 7/16"



MATTE BLACK
PULL 0323MB
128mm Center • Overall Length: 5 7/16"

Antic
Tier 3



SATIN NICKEL
KNOB 6798SN



MODERN
BRUSHED GOLD
KNOB 6798MG



MATTE BLACK
KNOB 0322MB



SATIN NICKEL
PULL 6797S
128mm Center • Overall Length: 5 13/16"



MODERN
BRUSHED GOLD
PULL 6797MG
128mm Center • Overall Length: 5 13/16"



MATTE BLACK
PULL 0323MB
128mm Center • Overall Length: 5 13/16"





SKU	DOOR		ADJUSTABLE SHELF	
	Qty	Part Name	Qty	Part Name
WALL CABINET - 12" HIGH				
W3012 BUTT	2	DR1512 BUTT	-	N/A
W3612 BUTT	2	DR1812 BUTT	-	N/A
WALL CABINET - 15" HIGH				
W3015 BUTT	2	DR1515 BUTT	-	N/A
W3615 BUTT	2	DR1815 BUTT	-	N/A
WALL CABINET - 18" HIGH				
W3018 BUTT	2	DR1518 BUTT	1	30" SHELF PLY
W3618 BUTT	2	DR1818 BUTT	1	36" SHELF PLY
WALL CABINET - 24" HIGH				
W3024 BUTT	2	DR1524 BUTT	1	30" SHELF PLY
W3624 BUTT	2	DR1824 BUTT	1	36" SHELF PLY
WALL CABINET - 30" HIGH				
W930	1	DR930	2	9" SHELF PLY
W1230	1	DR1230	2	12" SHELF PLY
W1530	1	DR1530	2	15" SHELF PLY
W1830	1	DR1830	2	18" SHELF PLY
W2130	1	DR2130	2	21" SHELF PLY
W2430 BUTT	2	DR1230 BUTT	2	24" SHELF PLY
W2730 BUTT	2	DR1330 BUTT	2	27" SHELF PLY
W3030 BUTT	2	DR1530 BUTT	2	30" SHELF PLY
W3330 BUTT	2	DR1630 BUTT	2	33" SHELF PLY
W3630 BUTT	2	DR1830 BUTT	2	36" SHELF PLY
WALL CABINET - 36" HIGH				
W936	1	DR936	2	9" SHELF PLY
W1236	1	DR1236	2	12" SHELF PLY
W1536	1	DR1536	2	15" SHELF PLY
W1836	1	DR1836	2	18" SHELF PLY
W2136	1	DR2136	2	21" SHELF PLY
W2436 BUTT	2	DR1236 BUTT	2	24" SHELF PLY
W2736 BUTT	2	DR1336 BUTT	2	27" SHELF PLY
W3036 BUTT	2	DR1536 BUTT	2	30" SHELF PLY
W3336 BUTT	2	DR1636 BUTT	2	33" SHELF PLY
W3636 BUTT	2	DR1836 BUTT	2	36" SHELF PLY

SKU	DOOR		ADJUSTABLE SHELF	
	Qty	Part Name	Qty	Part Name
WALL CABINET - 42" HIGH				
W942	1	DR942	3	9" SHELF PLY
W1242	1	DR1242	3	12" SHELF PLY
W1542	1	DR1542	3	15" SHELF PLY
W1842	1	DR1842	3	18" SHELF PLY
W2142	1	DR2142	3	21" SHELF PLY
W2442 BUTT	2	DR1242 BUTT	3	24" SHELF PLY
W2742 BUTT	2	DR1342 BUTT	3	27" SHELF PLY
W3042 BUTT	2	DR1542 BUTT	3	30" SHELF PLY
W3342 BUTT	2	DR1642 BUTT	3	33" SHELF PLY
W3642 BUTT	2	DR1842 BUTT	3	36" SHELF PLY
CORNER WALL CABINETS				
CW2430	1	DR1530	2	CW SHELF ADJ PLY
CW2436	1	DR1536	2	CW SHELF ADJ PLY
CW2442	1	DR1542	3	CW SHELF ADJ PLY
REFRIGERATOR WALL CABINETS - 12" HIGH				
W3612 X 24 DP BUTT	2	DR1812 BUTT	-	N/A
REFRIGERATOR WALL CABINETS - 15" HIGH				
W3615 X 24 DP BUTT	2	DR1815 BUTT	-	N/A
REFRIGERATOR WALL CABINETS - 18" HIGH				
W3618 X 24 DP BUTT	2	DR1818 BUTT	1	36" SHELF 24DP PLY
REFRIGERATOR WALL CABINETS - 24" HIGH				
W3624 X 24 DP BUTT	2	DR1824 BUTT	1	36" SHELF 24DP PLY
UTILITY CABINET - WITH ADJUSTABLE SHELVES - 24" DEEP X 84" HIGH				
UT1824 X 84 AS	1	DR1830	5	S1824
	1	DR1850		
UT2424 X 84 AS BUTT	2	DR1230 BUTT	5	S2424
	2	DR1250 BUTT		
UTILITY CABINET - WITH ADJUSTABLE SHELVES - 24" DEEP X 90" HIGH				
UT1824 X 90 AS	1	DR1836	6	S1824
	1	DR1850		
UT2424 X 90 AS BUTT	2	DR1236 BUTT	6	S2424
	2	DR1250 BUTT		
UTILITY CABINET - WITH ADJUSTABLE SHELVES - 24" DEEP X 96" HIGH				
UT1824 X 96 AS	1	DR1842	7	S1824
	1	DR1850		
UT2424 X 96 AS BUTT	2	DR1242 BUTT	7	S2424
	2	DR1250 BUTT		

PARTS: BASE, OVEN, DRAWER BASE & VANITY

SKU	Qty	DOOR		ADJUSTABLE SHELF/ ACCESSORY		DRAWER/PANEL FRONT		DRAWER BODY
		Part Name	Qty	Part Name	Qty	Full Overlay	Partial Overlay	Part Name
						Part Name	Part Name	
BASE CABINET - ADJUSTABLE SHELF								
B12	1	DR1224	1	12" SHELF PLY	1	DDF12	DDF12	DRB12 X 21DP DT FD
B15	1	DR1524	1	15" SHELF PLY	1	DDF15	DDF15	DRB15 X 21DP DT FD
B18	1	DR1824	1	18" SHELF PLY	1	DDF18	DDF18	DRB18 X 21DP DT FD
B21	1	DR2124	1	21" SHELF PLY	1	DDF21	DDF21	DRB21 X 21DP DT FD
B24 BUTT	2	DR1224 BUTT	1	24" SHELF PLY	1	DDF24	DDF24	DRB24 X 21DP DT FD
B27 BUTT	2	DR1324 BUTT	1	27" SHELF PLY	1	DDF27	DDF27	DRB27 X 21DP DT FD
B30 BUTT	2	DR1524 BUTT	1	30" SHELF PLY	1	DDF30	DDF30	DRB30 X 21DP DT FD
B33 BUTT	2	DR1624 BUTT	1	33" SHELF PLY	1	DDF33	DDF33	DRB33 X 21DP DT FD
B36 ITD BUTT	2	DR1824 BUTT	1	36" SHELF PLY	1	DDF36	DDF36	DRB36 X 21DP DT FD
BASE CABINET - BOTTOM MOUNT WASTEBASKETS								
BWBB18-2	1	DR1824 ND	1	BWBB18-2_OL KIT	1	DDF18	DDF18	DRB18 X 21DP DT FD
BLIND CORNER BASE CABINET								
BLB36/39	1	DR1224	1	27" SHELF PLY	1	DDF12	DDF12	DRB12 X 21DP DT FD
BLB39/42	1	DR1524	1	33" SHELF PLY	1	DDF15	DDF15	DRB15 X 21DP DT FD
BLB42/45	1	DR1824	1	39" SHELF PLY	1	DDF18	DDF18	DRB18 X 21DP DT FD
BLB45/48	1	DR2124	1	45" SHELF PLY	1	DDF21	DDF21	DRB21 X 21DP DT FD
BASE SUPER SUSAN CABINET								
BSS36 (L/R) WD	1	DR1230 BER DRILL	2	BSS36 SHELF WD NP PLY	-	N/A	N/A	N/A
	1	DR1230 BER ND						
DOUBLE OVEN CABINET								
OVD3384 BUTT	2	DR1618 BUTT	-	N/A	1	DDFOV33	DDF33	DRB33 X 21DP DT FD
OVD3390 AS BUTT	2	DR1624 BUTT	1	S3324	1	DDFOV33	DDF33	DRB33 X 21DP DT FD
OVD3396 AS BUTT	2	DR1630 BUTT	2	S3324	1	DDFOV33	DDF33	DRB33 X 21DP DT FD

SKU	Qty	DOOR		ADJUSTABLE SHELF	
		Full Overlay	Partial Overlay	Part Name	Qty
		Part Name	Part Name		
FULL-HEIGHT BASE					
TB9	1	DR9FH	DR930	-	N/A
B12 FH	1	DR12FH	DR1230	1	12" SHELF PLY
B15 FH	1	DR15FH	DR1530	1	15" SHELF PLY
B18 FH	1	DR18FH	DR1830	1	18" SHELF PLY
B21 FH	1	DR21FH	DR2130	1	21" SHELF PLY
B24 BUTT FH	2	DR12BUTT FH	DR1230 BUTT	1	24" SHELF PLY
B30 BUTT FH	2	DR15BUTT FH	DR1530 BUTT	1	30" SHELF PLY
B36 BUTT FH	2	DR18BUTT FH	DR1830 BUTT	1	36" SHELF PLY

SKU	Qty	DRAWER FRONT		DRAWER BODY
		Full Overlay	Partial Overlay	Part Name
		Part Name	Part Name	
THREE DRAWER BASE CABINET				
DB15	1	DDF15	DDF15	DRB15 X 21DP DT FD
	2	DDF15M	DDF15D	DRB15M X 21DP DT FD
DB18	1	DDF18	DDF18	DRB18 X 21DP DT FD
	2	DDF18M	DDF18D	DRB18M X 21DP DT FD
DB21	1	DDF21	DDF21	DRB21 X 21DP DT FD
	2	DDF21M	DDF21D	DRB21M X 21DP DT FD
DB24	1	DDF24	DDF24	DRB24 X 21DP DT FD
	2	DDF24M	DDF24D	DRB24M X 21DP DT FD
DB30	1	DDF30	DDF30	DRB30 X 21DP DT FD
	2	DDF30M	DDF30D	DRB30M X 21DP DT FD
DB36 ITD	1	DDF36	DDF36	DRB36 X 21DP DT FD
	2	DDF36M	DDF36D	DRB36M X 21DP DT FD
VANITY DRAWER BASE				
VDB1234H	1	DDF12	DDF12	DRB12 X 18DP DT FD
	2	DDF12M	DDF12D	DRB12M X 18DP DT FD
VDB1534H	1	DDF15	DDF15	DRB15 X 18DP DT FD
	2	DDF15M	DDF15D	DRB15M X 18DP DT FD
VDB1834H	1	DDF18	DDF18	DRB18 X 18DP DT FD
	2	DDF18M	DDF18D	DRB18M X 18DP DT FD

SKU	Qty	DOOR		DRAWER/PANEL FRONT	
		Part Name	Qty	Part Name	Qty
DEEP SINK BASE CABINET					
DSB36 BUTT	2	DR1824V BUTT	-	N/A	
SINK/COOKTOP BASE CABINET					
SB30 BUTT	2	DR1524 BUTT	1	DDF30	
SB33 BUTT	2	DR1624 BUTT	1	DDF33	
SB36 BUTT	2	DR1824 BUTT	1	DDF36	
VANITY SINK BASE - 34 1/2" HIGH					
VSB2434H BUTT	2	DR1224 BUTT	1	DDF24	
VSB3034H BUTT	2	DR1524 BUTT	1	DDF30	
VSB3634H BUTT	2	DR1824 BUTT	1	DDF36	

DOOR & DRAWER FRONT DIMENSIONS		
PART NAME	No-Drill (ND) Doors are the same dimension	
	Full Overlay	Standard Overlay
	Dimensions	Dimensions
50" HIGH DOOR		
DR1250 BUTT	11 23/32" x 49 1/4"	10 15/16" x 47 3/4"
DR1850	17 9/16" x 49 1/4"	15 7/8" x 47 3/4"
42" HIGH DOOR		
DR942	8 9/16" x 41 1/2"	6 7/8" x 40"
DR1242	11 9/16" x 41 1/2"	9 7/8" x 40"
DR1242 BUTT	11 23/32" x 41 1/2"	10 15/16" x 40"
DR1342 BUTT	13 7/32" x 41 1/2"	12 7/16" x 40"
DR1542	14 9/16" x 41 1/2"	12 7/8" x 40"
DR1542 BUTT	14 23/32" x 41 1/2"	13 15/16" x 40"
DR1642 BUTT	16 7/32" x 41 1/2"	15 7/16" x 40"
DR1842	17 9/16" x 41 1/2"	15 7/8" x 40"
DR1842 BUTT	17 23/32" x 41 1/2"	16 15/16" x 40"
DR2142	20 9/16" x 41 1/2"	18 7/8" x 40"
36" HIGH DOOR		
DR936	8 9/16" x 35 1/2"	6 7/8" x 34"
DR1236	11 9/16" x 35 1/2"	9 7/8" x 34"
DR1236 BUTT	11 23/32" x 35 1/2"	10 15/16" x 34"
DR1336 BUTT	13 7/32" x 35 1/2"	12 7/16" x 34"
DR1536	14 9/16" x 35 1/2"	12 7/8" x 34"
DR1536 BUTT	14 23/32" x 35 1/2"	13 15/16" x 34"
DR1636 BUTT	16 7/32" x 35 1/2"	15 7/16" x 34"
DR1836	17 9/16" x 35 1/2"	15 7/8" x 34"
DR1836 BUTT	17 23/32" x 35 1/2"	16 15/16" x 34"
DR2136	20 9/16" x 35 1/2"	18 7/8" x 34"
30" HIGH DOOR		
DR930	8 9/16" x 29 1/2"	6 7/8" x 28"
DR1230	11 9/16" x 29 1/2"	9 7/8" x 28"
DR1230 BUTT	11 23/32" x 29 1/2"	10 15/16" x 28"
DR1230 BER DRILL	10 3/4" x 29 7/8"	10" x 28"
DR1230 BER ND	10 3/4" x 29 7/8"	10" x 28"
DR1330 BUTT	13 7/32" x 29 1/2"	12 7/16" x 28"
DR1530	14 9/16" x 29 1/2"	12 7/8" x 28"
DR1530 BUTT	14 23/32" x 29 1/2"	13 15/16" x 28"
DR1630 BUTT	16 7/32" x 29 1/2"	15 7/16" x 28"
DR1830	17 9/16" x 29 1/2"	15 7/8" x 28"
DR1830 BUTT	17 23/32" x 29 1/2"	16 15/16" x 28"
DR2130	20 9/16" x 29 1/2"	18 7/8" x 28"
24" HIGH DOOR		
DR1224	11 9/16" x 23 7/8"	9 7/8" x 22 3/8"
DR1224 BUTT	11 23/32" x 23 7/8"	10 15/16" x 22 3/8"
DR1324 BUTT	13 7/32" x 23 7/8"	12 7/16" x 22 3/8"
DR1524	14 9/16" x 23 7/8"	12 7/8" x 22 3/8"
DR1524 BUTT	14 23/32" x 23 7/8"	13 15/16" x 22 3/8"
DR1624 BUTT	16 7/32" x 23 7/8"	15 7/16" x 22 3/8"
DR1824 / DR1824 ND	17 9/16" x 23 7/8"	15 7/8" x 22 3/8"
DR1824 BUTT	17 23/32" x 23 7/8"	16 15/16" x 22 3/8"
DR2124	20 9/16" x 23 7/8"	18 7/8" x 22 3/8"
21" HIGH DOOR		
DR1821V BUTT	17 23/32" x 20"	16 15/16" x 18 1/2"
18" HIGH DOOR		
DR1518 BUTT	14 23/32" x 17 1/2"	13 15/16" x 16"
DR1618 BUTT	16 7/32" x 17 1/2"	15 7/16" x 16"
DR1818 BUTT	17 23/32" x 17 1/2"	16 15/16" x 16"
15" HIGH DOOR		
DR1515 BUTT	14 23/32" x 14 1/2"	13 15/16" x 13"
DR1815 BUTT	17 23/32" x 14 1/2"	16 15/16" x 13"

DOOR & DRAWER FRONT DIMENSIONS		
PART NAME	No-Drill (ND) Doors are the same dimension	
	Full Overlay	Standard Overlay
	Dimensions	Dimensions
12" HIGH DOOR		
DR1512 BUTT	14 23/32" x 11 1/2"	13 15/16" x 10"
DR1812 BUTT	17 23/32" x 11 1/2"	16 15/16" x 10"
FULL-HEIGHT DOOR		
DR9FH	8 9/16" x 29 7/8"	-
DR12BUTT FH	11 23/32" x 29 7/8"	-
DR12FH	11 9/16" x 29 7/8"	-
DR15BUTT FH	14 23/32" x 29 7/8"	-
DR15FH	14 9/16" x 29 7/8"	-
DR18BUTT FH	17 23/32" x 29 7/8"	-
DR18FH	17 9/16" x 29 7/8"	-
DR21FH	20 9/16" x 29 7/8"	-
STANDARD DRAWER FRONT		
DDF12	11 9/16" x 5 13/16"	9 7/8" x 5 1/8"
DDF15	14 9/16" x 5 13/16"	12 7/8" x 5 1/8"
DDF18	17 9/16" x 5 13/16"	15 7/8" x 5 1/8"
DDF21	20 9/16" x 5 13/16"	18 7/8" x 5 1/8"
DDF24	23 9/16" x 5 13/16"	21 7/8" x 5 1/8"
DDF27	26 9/16" x 5 13/16"	24 7/8" x 5 1/8"
DDF30	29 9/16" x 5 13/16"	27 7/8" x 5 1/8"
DDF33	32 9/16" x 5 13/16"	30 7/8" x 5 1/8"
DDF36	35 9/16" x 5 13/16"	33 7/8" x 5 1/8"
DDFOV33	32 9/16" x 7 7/16"	-
LARGE DRAWER FRONT		
DDF12M	11 9/16" x 11 27/32"	-
DDF12D	-	9 7/8" x 10 13/16"
DDF15M	14 9/16" x 11 27/32"	-
DDF15D	-	12 7/8" x 10 13/16"
DDF18M	17 9/16" x 11 27/32"	-
DDF18D	-	15 7/8" x 10 13/16"
DDF21M	20 9/16" x 11 27/32"	-
DDF21D	-	18 7/8" x 10 13/16"
DDF24M	23 9/16" x 11 27/32"	-
DDF24D	-	21 7/8" x 10 13/16"
DDF30M	29 9/16" x 11 27/32"	-
DDF30D	-	27 7/8" x 10 13/16"
DDF36M	35 9/16" x 11 27/32"	-
DDF36D	-	33 7/8" x 10 13/16"

ROLL-OUT ACCESSORY DIMENSIONS		
PART NAME	Dimensions (W x H x D)	
	Dimensions	Dimensions
DEEP ROLL-OUT TRAYS		
DROT15	10 3/4" x 3 1/2" x 21"	
DROT18	13 3/4" x 3 1/2" x 21"	
DROT21	16 3/4" x 3 1/2" x 21"	
DROT24	19 3/4" x 3 1/2" x 21"	
DROT27	22 3/4" x 3 1/2" x 21"	
DROT30	25 3/4" x 3 1/2" x 21"	
DROT33	28 3/4" x 3 1/2" x 21"	
DROT36	31 3/4" x 3 1/2" x 21"	

DRAWER BODY DIMENSIONS	
PART NAME	Dimensions (W x H x D)
	Dimensions (W x H x D)
STANDARD DRAWERS	
21" DEEP	
DRB12 X 21DP DT FD	8 1/16" x 3 1/2" x 21"
DRB15 X 21DP DT FD	11 1/16" x 3 1/2" x 21"
DRB18 X 21DP DT FD	14 1/16" x 3 1/2" x 21"
DRB21 X 21DP DT FD	17 1/16" x 3 1/2" x 21"
DRB24 X 21DP DT FD	20 1/16" x 3 1/2" x 21"
DRB27 X 21DP DT FD	23 1/16" x 3 1/2" x 21"
DRB30 X 21DP DT FD	26 1/16" x 3 1/2" x 21"
DRB33 X 21DP DT FD	29 1/16" x 3 1/2" x 21"
DRB36 X 21DP DT FD	32 1/16" x 3 1/2" x 21"
18" DEEP	
DRB12 X 18DP DT FD	8 1/16" x 3 1/2" x 18"
DRB15 X 18DP DT FD	11 1/16" x 3 1/2" x 18"
DRB18 X 18DP DT FD	14 1/16" x 3 1/2" x 18"
LARGE DRAWERS	
21" DEEP	
DRB15M X 21DP DT FD	11 1/16" x 7" x 21"
DRB18M X 21DP DT FD	14 1/16" x 7" x 21"
DRB21M X 21DP DT FD	17 1/16" x 7" x 21"
DRB24M X 21DP DT FD	20 1/16" x 7" x 21"
DRB30M X 21DP DT FD	26 1/16" x 7" x 21"
DRB36M X 21DP DT FD	32 1/16" x 7" x 21"
18" DEEP	
DRB12M X 18DP DT FD	8 1/16" x 7" x 18"
DRB15M X 18DP DT FD	11 1/16" x 7" x 18"
DRB18M X 18DP DT FD	14 1/16" x 7" x 18"

PLYWOOD SHELF DIMENSIONS	
PART NAME	Dimensions (W x H x D)
	Dimensions (W x H x D)
12" DEEP	
9" SHELF PLY	7 1/4" x 3/4" x 10 1/4"
12" SHELF PLY	10 1/4" x 3/4" x 10 1/4"
15" SHELF PLY	13 1/4" x 3/4" x 10 1/4"
18" SHELF PLY	16 1/4" x 3/4" x 10 1/4"
21" SHELF PLY	19 1/4" x 3/4" x 10 1/4"
24" SHELF PLY	22 1/4" x 3/4" x 10 1/4"
27" SHELF PLY	25 1/4" x 3/4" x 10 1/4"
30" SHELF PLY	28 1/4" x 3/4" x 10 1/4"
33" SHELF PLY	31 1/4" x 3/4" x 10 1/4"
36" SHELF PLY	34 1/4" x 3/4" x 10 1/4"
39" SHELF PLY	37 1/4" x 3/4" x 10 1/4"
45" SHELF PLY	43 1/4" x 3/4" x 10 1/4"
CW SHELF ADJ PLY	46 1/4" x 9 7/16" x 3/4"
24" DEEP	
36" SHELF 24DP PLY	34 1/4" x 3/4" x 22 1/8"
UTILITY CABINET SHELVES	
S1824	16 3/16" x 22 1/8" x 3/4"
S2424	22 3/16" x 22 1/8" x 3/4"
S3324	31 3/16" x 22 1/8" x 3/4"

HINGES	
Part Name	Description
HINGE FOL CC6WY 45DP	Full Overlay soft-close hinge with 6-way adjustment
HINGE SOL CC6WAY 45	Partial Overlay soft-close hinge with 6-way adjustment
HINGE CCFACEMOUNT 45	Soft-close hinge for oven cabinets
HINGE 170 FRAMED	Door-to-Frame hinge for BSS cabinet
HINGE ER	Door-to-Door hinge for BSS cabinet
HINGE SPACER SHIM	Shim used between Hinge and Face Frame, adds inward left/right adjustment (for use on hinges as needed)

GLIDES	
Part Name	Description
GLIDE FD CCL24	Left soft-close drawer glide for 24" deep cabinet
GLIDE FD CCR24	Right soft-close drawer glide for 24" deep cabinet
GLIDE FD CCL21	Left soft-close drawer glide for 21" deep cabinet
GLIDE FD CCR21	Right soft-close drawer glide for 21" deep cabinet

SCREWS	
Part Name	Description
SCREW BRACKET DDF	Screw to attach DDF BRACKET _OL bracket to drawer fronts (2 per bracket)
SCREW BRACKET DRB	Screw to attach DDF BRACKET _OL bracket to drawer bodies (2 per bracket)
SCREW GLIDE CC	Attach glide to front frame (1 per glide)
SCREW HINGE/DR	Screw for hinge to door
SCREW HINGE/FR	Screw for hinge to frame

CLIPS / BRACKETS	
Part Name	Description
BRACKET GL UNI FDI	Left/Right back bracket for drawer glides
CLIP SHELF NP SPIN	Locking shelf clip for spin units
DDF BRACKET FOL	Full Overlay attachment bracket for wastebasket cabinet doors and drawer fronts
DDF BRACKET SOL	Partial Overlay attachment bracket for wastebasket cabinet doors and drawer fronts
DDF BRACKET CCAP FOL	Cover cap for DDF BRACKET FOL
DDF BRACKET CCAP SOL	Cover cap for DDF BRACKET SOL
DRB MOUNT CLIP L FD	Left release clip for DROT's and drawers
DRB MOUNT CLIP R FD	Right release clip for DROT's and drawers
SPACER GL BD FRT FG	Left/Right front drawer clip for bottom drawer on VDB __34H & DB __ cabinets

WOOD SPIN UNITS	
Part Name	Description
BSS36 SHELF WD NP PLY	Wood spin unit and plywood shelf for BSS36 WD

MISCELLANEOUS PARTS	
Part Name	Description
BUMPER CLEAR	Door bumper - Sheet of 4
BWBB18-2 FOL KIT	Wastebasket kit for FOL BWBB18-2
BWBB18-2 SOL KIT	Wastebasket kit for POL BWBB18-2
CLIP LOCK 3/4 4PK	Plastic clip locks used for base cabinet shelves - 4 Pack
DDF FASTENER	Installation clips for dummy drawer fronts - includes 2 sets and installation screws
GLIDE FRAME SPACER	Frame spacer for DROT glide
SHELF REST METAL 4PK	Metal shelf rests used for wall cabinet shelves - 4 Pack
TOUCHUP KIT	Touchup Kit includes a putty stick, touchup marker and a sheet of (4) bumpers
WASTEBASKET 35QT SLV	Silver 35-quart trashcan

INFORMATION

Please visit resources.shenandoahcabinetry.com/shenandoah-pro for all your designer needs.

If you would like further clarification about any of our products or processes, please call your exclusive Shenandoah PRO Express Customer Care Department at 877-569-3774.

CLAIMS

All warranty, missing, or damage claims for cabinets and accessories must be initiated with Shenandoah PRO Express's Customer Care Team. Please be ready with your order number and a detailed description of any issue present in the cabinets and accessories. Customer Care will determine at their discretion, to either replace defective cabinets and accessories or repair any defects in the cabinets and accessories.

LOST OR DAMAGED NO-CHARGE REPLACEMENT PARTS

As with any manufactured and shipped product, transportation damage and defects may occur. Should the unexpected arise, we are here to help. Follow our lost or damaged replacement part process below to ensure your customer has everything they need for their project.

- Have your customer check-in and inspect all cabinetry upon delivery
- Report any shortages or missing items to our Customer Care team within 60 days of delivery
- Report any defects or shipping damages to our Customer Care team within 90 days of delivery
- When contacting Customer Care for a no-charge replacement, please ensure you have the original order number and a detailed description of the issue. We will work to get any replacements out to you as quickly as possible.

CONTINUOUS IMPROVEMENT

In keeping with our policy of continuous product refinement, Shenandoah PRO Express reserves the right to change specifications in design and materials as conditions require.

LIFETIME LIMITED WARRANTY

Shenandoah PRO Express hereby warrants to the original purchaser, for residential applications only, that all Shenandoah PRO Express cabinets and accessories are free from defects in materials and workmanship. This warranty runs for as long as you own your home and begins upon the date of delivery to you. This warranty is expressly limited to repair or replacement of the defective part at the discretion of Shenandoah PRO Express, and does not include labor for removal or replacement. This warranty does not extend to defects caused by improper handling, storage, installation, assembly or disassembly, intentional damage, product modifications, exposure to the elements including humidity which may result in warping or splitting, accidental misuse, abuse or negligence. Painted wood joints may eventually have visible cracking around the joint area and cabinet colors may darken or lighten over time. Sunlight, smoke, moisture, household cleaners and other environmental conditions may cause materials to vary from their original color and/or to warp, split or crack. These variations are considered to be the nature of the material in relation to their environmental exposure and are not covered under this warranty.

LIMITATIONS & DISCLAIMERS

SHENANDOAH PRO EXPRESS MAKES NO OTHER WARRANTIES OTHER THAN THOSE SET FORTH HEREIN AND ALL OTHER WARRANTIES ARE HEREBY DISCLAIMED. THE IMPLIED WARRANTIES OF MERCHANTABILITY AND FITNESS FOR PARTICULAR PURPOSE ARE LIMITED IN DURATION TO THE LENGTH OF THE LIMITED WARRANTY PERIOD. THE LIMITED WARRANTIES SET FORTH HEREIN ARE LIMITED TO THE FIRST AND ORIGINAL BUYER AND ARE NOT TRANSFERABLE THEREAFTER. IN NO EVENT SHALL SHENANDOAH PRO EXPRESS BE LIABLE FOR INCIDENTAL OR CONSEQUENTIAL DAMAGES TO THE PURCHASER OR TO ANY THIRD PARTY, INCLUDING, WITHOUT LIMITATION, DAMAGES ARISING FROM PERSONAL INJURY, LOST PROFITS, LOSS OF BUSINESS OPPORTUNITY, LOSS OF PROPERTY, ECONOMIC LOSSES, OR STATUTORY OR EXEMPLARY DAMAGES, WHETHER FROM NEGLIGENCE, WARRANTY, STRICT LIABILITY OR OTHERWISE. Some states do not allow the exclusion or limitation of incidental or consequential damages, or limitations on how long an implied warranty lasts, so the above limitations and exclusions may not apply to you. This warranty gives you specific legal rights, and you may also have other rights, which vary from state to state.

CARE & CLEANING

While our finishing processes promote durability, care should be taken to preserve the original factory finish:

- Wipe up spills immediately
- Use mild soaps only
- Be sure to read all cabinet care guidelines and cleaning product instructions carefully

Use a touch-up stick to fill any scratches or nicks and remove excess residue, leaving a smooth surface. Touch-up kits are included with every sink base cabinet or can be ordered separately as needed.