

IMPORTANT

INSTALLATION INSTRUCTIONS FOR OMEGA NATIONAL PRODUCTS SELECT SERIES RANGE HOOD AND LINER

Before installation may begin, the following components are required:

- Fan unit, part number RHVBF10WH or Blower unit, part number RHVBB20WH
- Ducting System • Metal Liner • Decorative Wood Hood

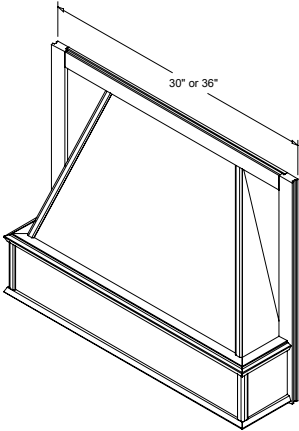


Figure 1

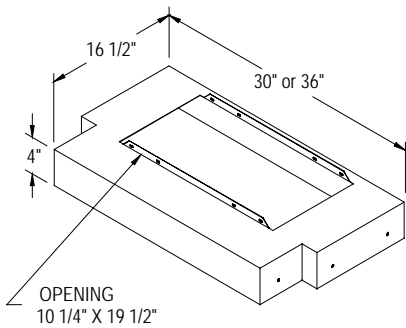


Figure 2

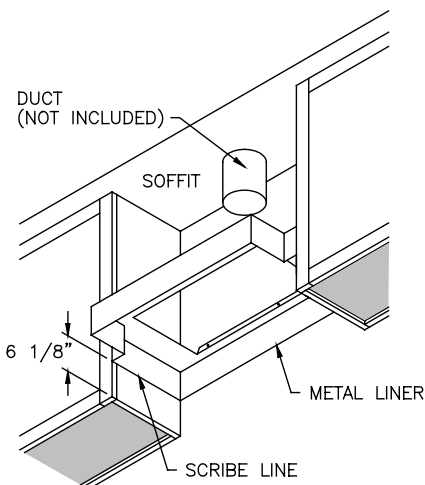


Figure 3

A. The Wood Hood is composed of two separate components:

1. The decorative Hood Front, Figure 1
2. T-shaped Metal Liner, Figure 2

NOTE: T-shaped liner shipped with unit as standard.

3. The ventilation system (power module and ducting system) is not included and must be purchased separately.

B. Installation: Metal Liner – T-Shaped, Figure 3

1. Measure up 6 1/8" from the bottom of adjacent cabinets. Scribe a level line horizontally across depth of both cabinets.
2. Raise Metal Liner so that bottom edge of liner is level with scribed lines. Use four (4) #8 x 1/2" screws (provided) to attach liner to adjacent cabinets through pre-drilled holes in liner. (If metal liner is not flush to cabinet sidewalls, it may be necessary to use a filler piece to avoid bowing the liner.) Locate studs and place two #8 x 1 1/4" (supplied) through rear of liner.

C. Installation of Omega National Products Select Series Wood Hood

1. Slide decorative hood front into position over T-Shaped liner and between adjacent cabinets. Install the hood front by joining to adjacent cabinets through the front frames using (4) #8 x 2 1/2" screws (not provided).

D. Installation of Power Units

RHVBF10WH Fan Unit – see installation instructions enclosed with each Power Unit.

RHVBB20WH Blower Unit - see installation instructions enclosed with each Power Unit.

Source for all parts listed:

Your local distributor or: Omega National Products
1010 Rowe Street, Elkhart, IN 46516
574-295-5353 • 574-295-5329(fax)

10-0538-1A VS-17

©2006 Omega National Products